



US00D980570S

(12) **United States Design Patent** (10) **Patent No.:** **US D980,570 S**  
**Patel** (45) **Date of Patent:** **\*\* \*Mar. 7, 2023**

- (54) **CLEANING DEVICE**
- (71) Applicant: **Uproot Lint LLC**, Miami, FL (US)
- (72) Inventor: **Mehul Patel**, Miami, FL (US)
- (73) Assignee: **Uproot Lint LLC**, Miami, FL (US)
- (\*) Notice: This patent is subject to a terminal disclaimer.
- (\*\*) Term: **15 Years**
- (21) Appl. No.: **29/854,321**
- (22) Filed: **Sep. 23, 2022**
- (51) **LOC (14) Cl.** ..... **07-05**
- (52) **U.S. Cl.**  
USPC ..... **D32/52; D4/118; D30/158**
- (58) **Field of Classification Search**  
USPC ..... D32/1, 15, 17, 40-42, 46, 72, 74;  
D4/118, 121-123, 131, 136-138, 199;  
(Continued)

- (56) **References Cited**  
U.S. PATENT DOCUMENTS  
3,363,276 A \* 1/1968 Thomas, Jr. .... A47L 25/005  
15/230.11  
D293,860 S \* 1/1988 Smith ..... D4/122  
(Continued)

- FOREIGN PATENT DOCUMENTS**  
EM 007383278-0001 1/2020  
GB 6125931 \* 3/2021

**OTHER PUBLICATIONS**  
Uproot Cleaner Pro Reusable Cat Hair Remover, available in Amazon.com, date first available Nov. 11, 2021 [online], [site

visited Dec. 8, 2022], Available from the internet URL: [https://www.amazon.com/dp/B09LNX88YK/ref=sspa\\_dk\\_detail\\_0](https://www.amazon.com/dp/B09LNX88YK/ref=sspa_dk_detail_0) (Year: 2021).\*

(Continued)

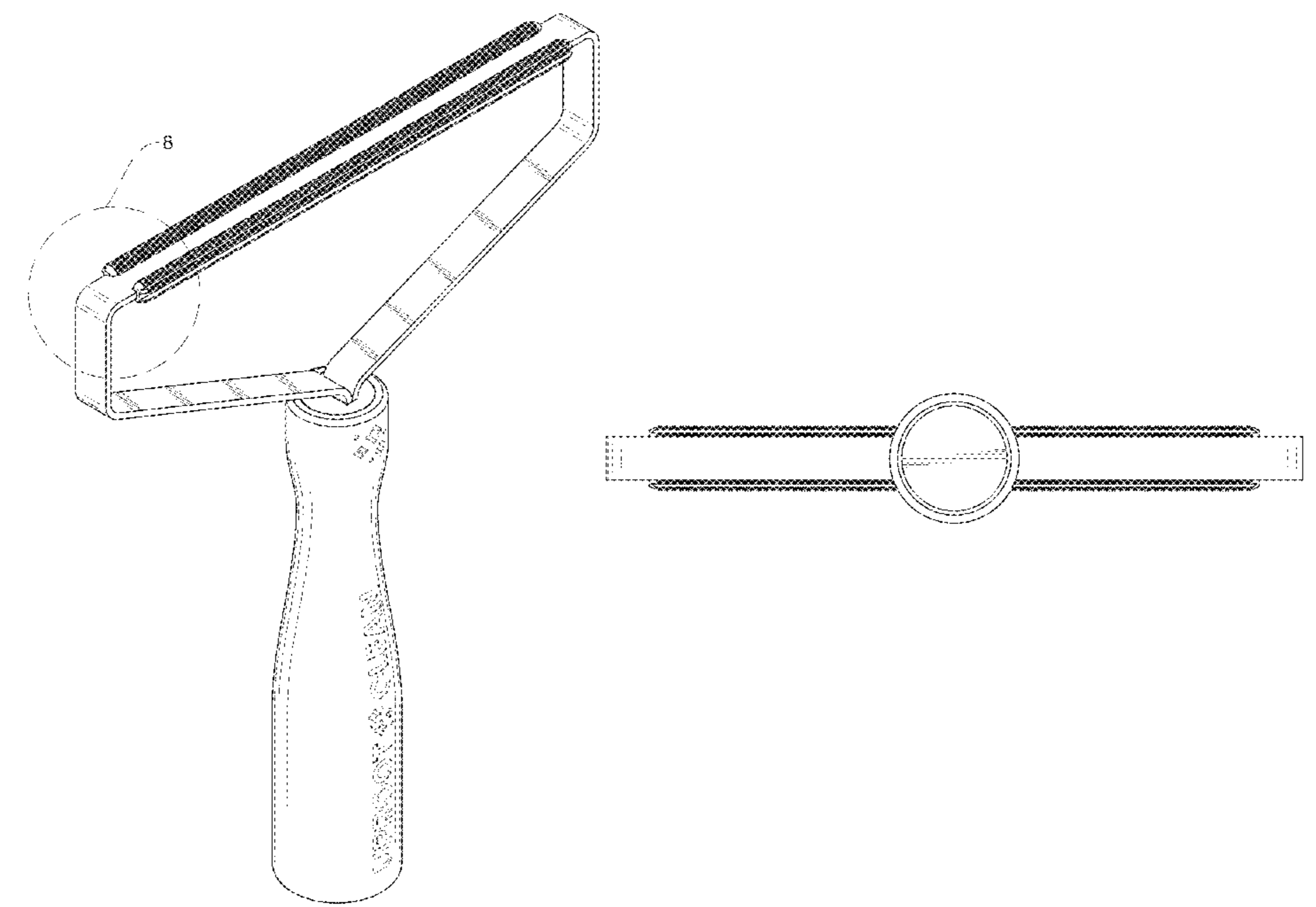
*Primary Examiner* — Jennifer Rivard  
*Assistant Examiner* — Jennylou M Binas  
(74) *Attorney, Agent, or Firm* — John H. Choi & Associates

(57) **CLAIM**  
The ornamental design for a cleaning device, as shown and described.

**DESCRIPTION**

FIG. 1 is a perspective view of an embodiment of a cleaning device showing my new design;  
FIG. 2 is a front plan view of the cleaning device of FIG. 1;  
FIG. 3 is a rear plan view of the cleaning device of FIG. 1;  
FIG. 4 is a top plan view of the cleaning device of FIG. 1;  
FIG. 5 is a bottom plan view of the cleaning device of FIG. 1;  
FIG. 6 is a left side view of the cleaning device of FIG. 1;  
FIG. 7 is a right side view of the cleaning device of FIG. 1;  
and,  
FIG. 8 is a close-up perspective view of teeth members of the cleaning device of FIG. 1.  
The features shown in broken lines in FIGS. 1-4, 6 and 7 depict environmental subject matter only and form no part of the claimed design. The “UPROOT CLEAN” forming no part of the claimed design disclosure is a registered trademark of Uproot Lint LLC.  
The broken lines shown in FIGS. 1 and 8 are for the purpose of illustrating the cut-off boundary of the enlarged detail of the cleaning device and the broken lines form no part of the claimed design.

**1 Claim, 8 Drawing Sheets**



(58) **Field of Classification Search**

USPC ..... D21/532; D28/44-45, 50; D30/158;  
D8/83, 94, 107  
CPC ..... A46B 9/005; A46B 13/08; A46B 15/0081;  
A46B 2200/3053; A46B 5/02; A46B  
5/021; A46B 5/026; A47L 7/0066; A47L  
9/0613; A47L 13/00; A47L 13/02; A47L  
25/08; A47L 25/005; B08B 1/00; D06F  
58/22; B25G 1/102; B26B 1/10; Y10S  
16/12

See application file for complete search history.

(56) **References Cited**

U.S. PATENT DOCUMENTS

D299,974 S \* 2/1989 Schmitt ..... D28/7  
D358,416 S \* 5/1995 Kishino ..... D32/40  
D383,611 S \* 9/1997 Tsai ..... D4/131  
D396,906 S \* 8/1998 Medici ..... D4/122  
D408,106 S \* 4/1999 Cousins ..... D32/42  
6,141,821 A \* 11/2000 Chin ..... B05C 17/023  
D4/122  
D449,909 S \* 10/2001 Randolph ..... D4/138  
D554,375 S \* 11/2007 Gunjian ..... D4/131  
D616,650 S \* 6/2010 Saadian ..... D4/122  
D625,064 S \* 10/2010 Lee ..... D32/42  
D642,740 S \* 8/2011 Chiodo ..... D28/44  
D645,664 S \* 9/2011 Pires ..... D4/133  
D666,374 S \* 8/2012 Angel ..... D32/41  
D670,057 S \* 10/2012 DiMauro ..... D32/46  
D677,469 S \* 3/2013 Seehoff ..... D4/122  
D696,826 S \* 12/2013 Seehoff ..... D4/138  
D819,977 S \* 6/2018 Zemel ..... D4/131  
D830,553 S \* 10/2018 Wall ..... D4/136  
D884,293 S \* 5/2020 Yan ..... D30/158  
D889,851 S \* 7/2020 Lei ..... D4/118

D942,834 S \* 2/2022 Levand ..... D8/107  
D968,045 S \* 10/2022 Chen ..... D4/118  
D971,615 S \* 12/2022 Wang ..... D4/118  
2004/0087973 A1 \* 5/2004 Shobeiri ..... A45D 26/0033  
606/133

OTHER PUBLICATIONS

Uproot Cleaner™ Limited-Edition Bundle, customer review oldest date Nov. 22, 2021 [online], [site visited Dec. 8, 2022], Available from the internet URL: <https://uprootclean.com/products/uproot-cleaner-limited-edition-bundle> (Year: 2021).\*

Uproot Cleaner Bundle, available in <https://uprootclean.com/>, customer review oldest date Nov. 9, 2022 [online], [site visited Dec. 8, 2022], Available from the internet URL: <https://uprootclean.com/products/uproot-cleaner-bundle-2> (Year: 2022).\*

Lillie' Reviews, Eco friendly Portable Lint Remover reviews / How to use Lint Remover ?, Dec. 6, 2019, <https://www.youtube.com/watch?v=7R29jse4ZAA>.

Shri Gloria, Portable Lint Remover Review / Does is really work ?, Jan. 1, 2020, <https://www.youtube.com/watch?v=8HScypi2J-w>.

Commonlee, Portable Lint Remover Review 2020—Does It Work?, Dec. 5, 2019, <https://www.youtube.com/watch?v=wY2nZ45LgqY&t=4s>.

Seniorgg Tool, Portable Lint Remover, Oct. 16, 2019, <https://www.facebook.com/364456337730063/posts/501314810710881>.

Kidsman House, Portable Lint Remover, Oct. 16, 2019, <https://www.facebook.com/2127638837272667/posts/2435470573156157>.

Zemmo.shop, Portable Lint Remover, Oct. 22, 2019, <https://www.facebook.com/627886544376478/posts/709556886209443>.

Mohaul Shop, Portable Lint Remover Clothes Fuzz Shaver restores your clothes and fabrics to a fresh new look!, Oct. 17, 2019, <https://www.facebook.com/304196193832101/posts/408855190032867>.

\* cited by examiner

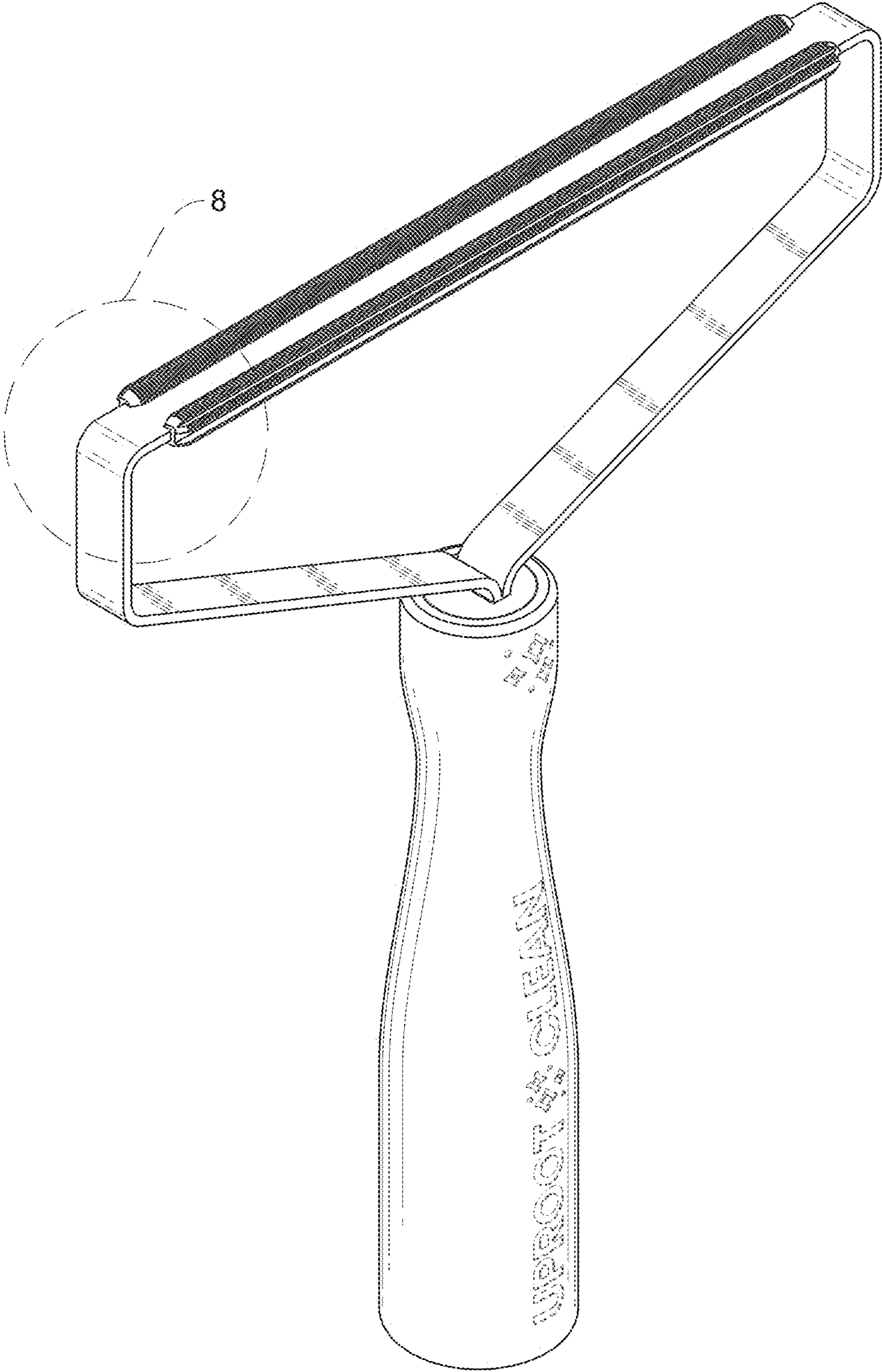


FIG. 1



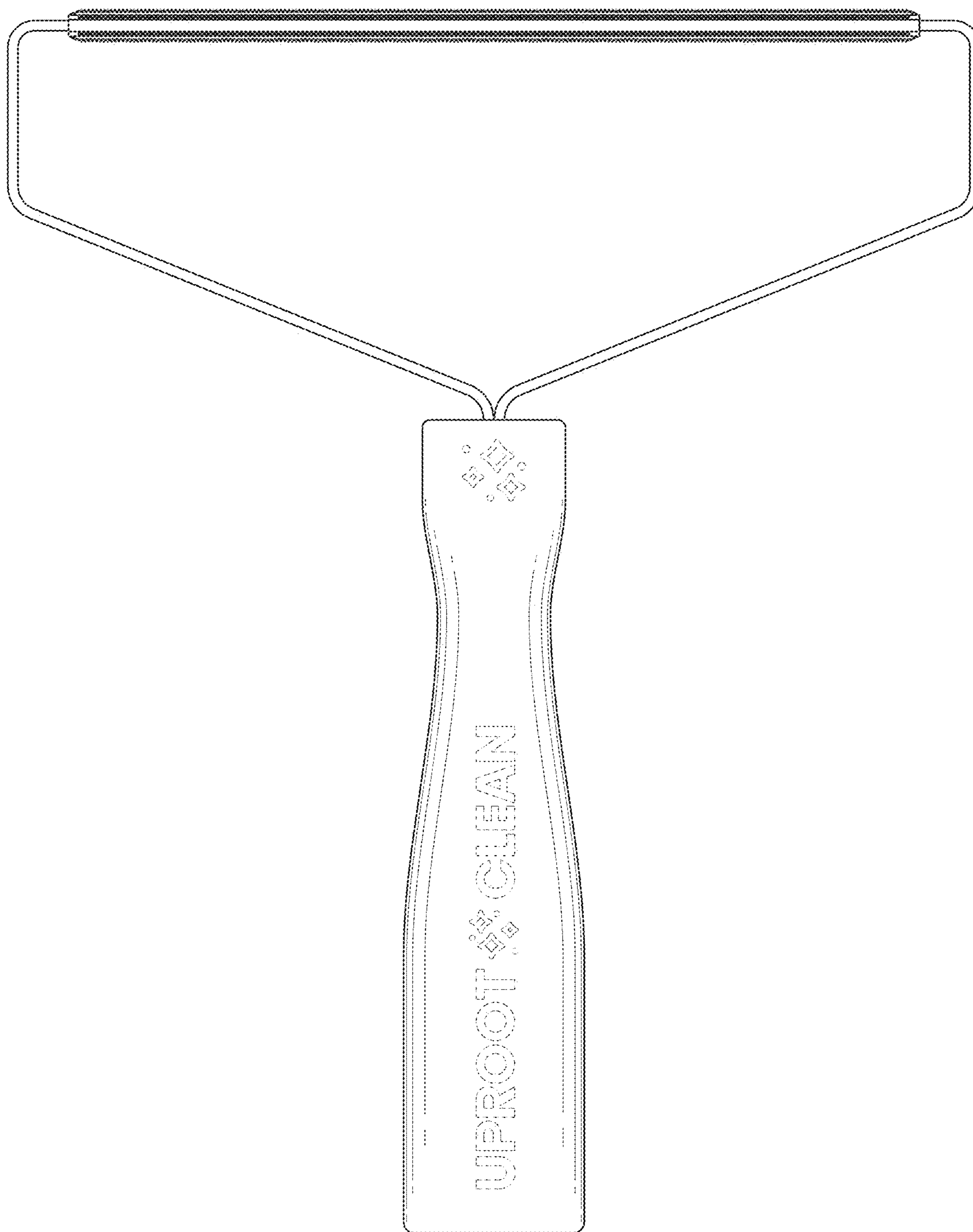


FIG. 2

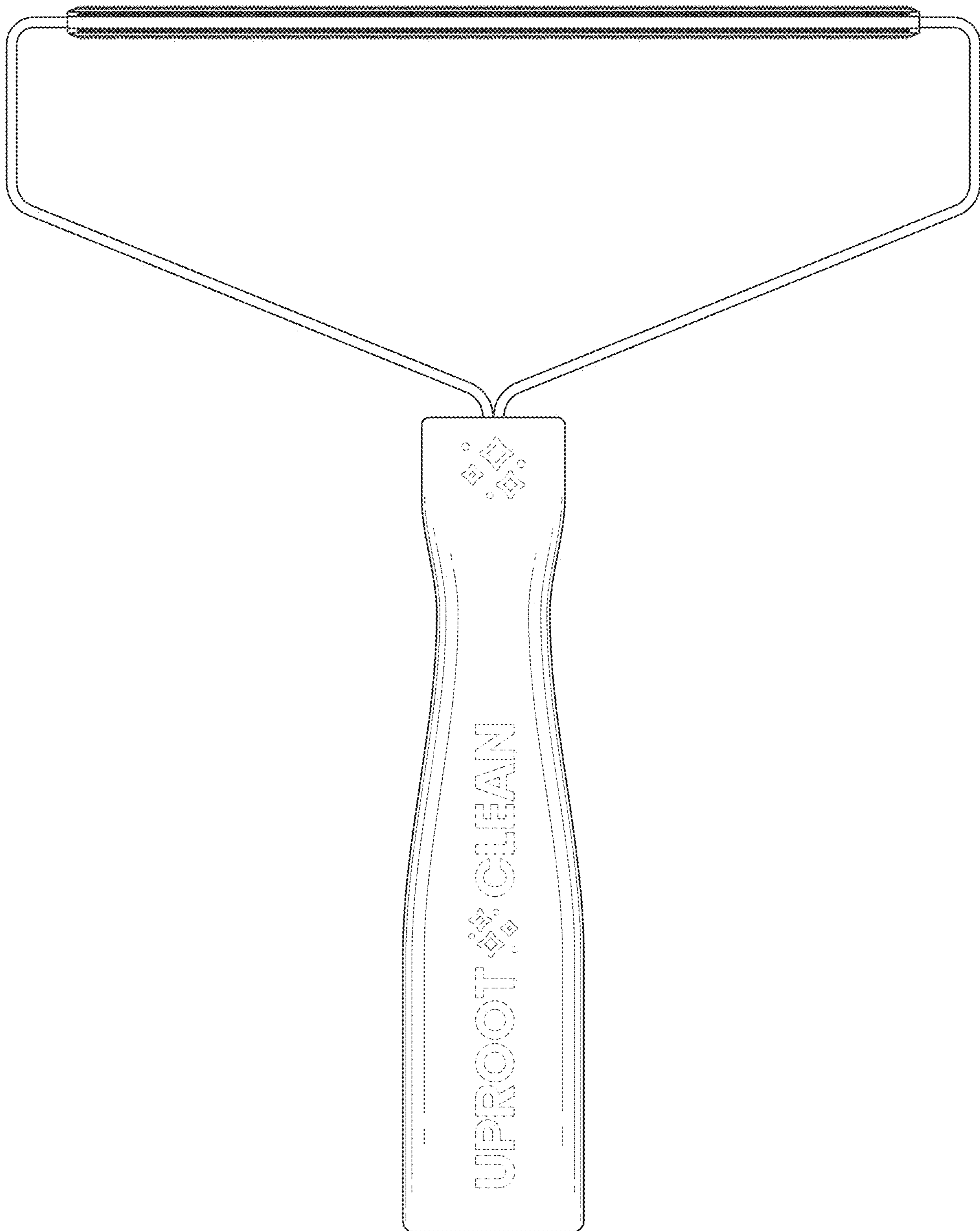


FIG. 3

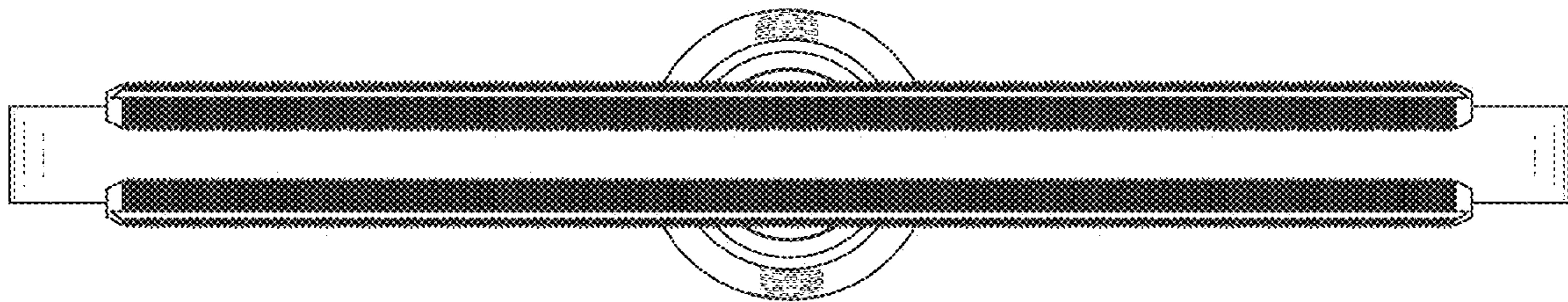


FIG. 4

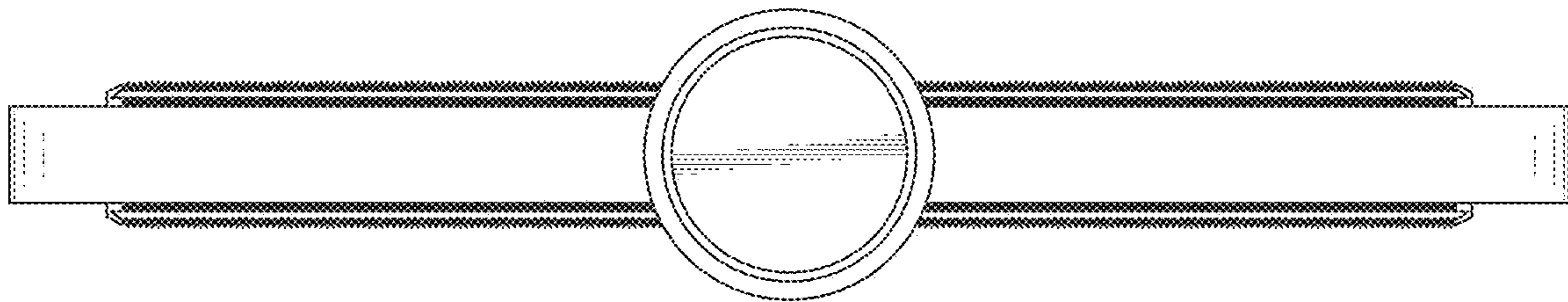


FIG. 5

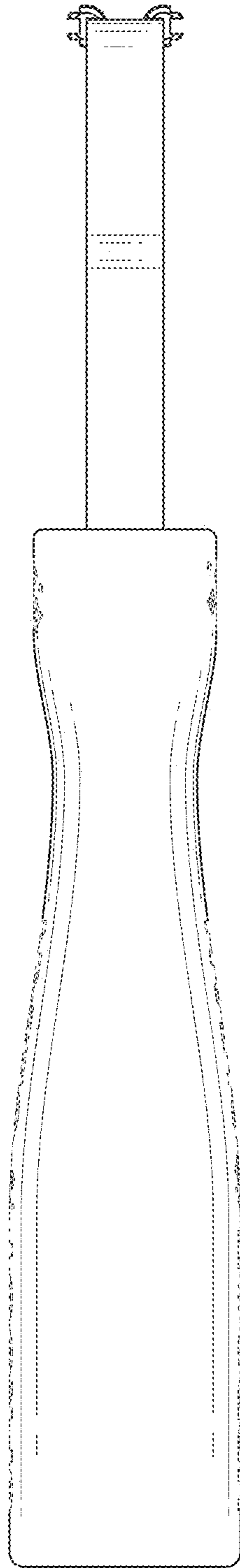


FIG. 6



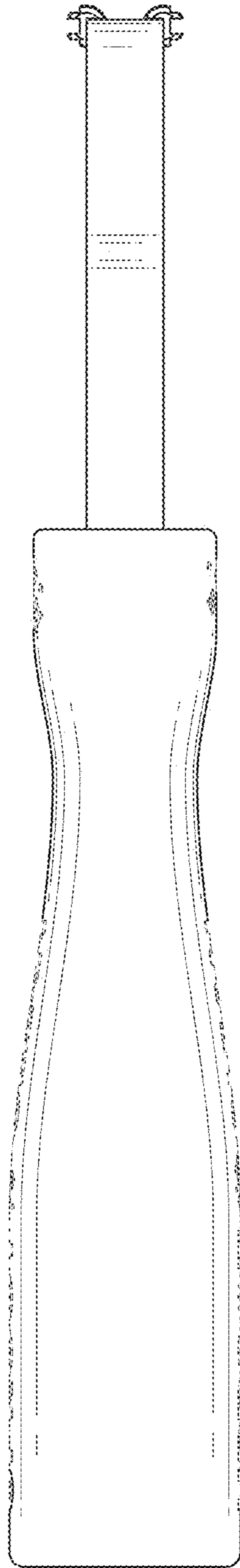


FIG. 7

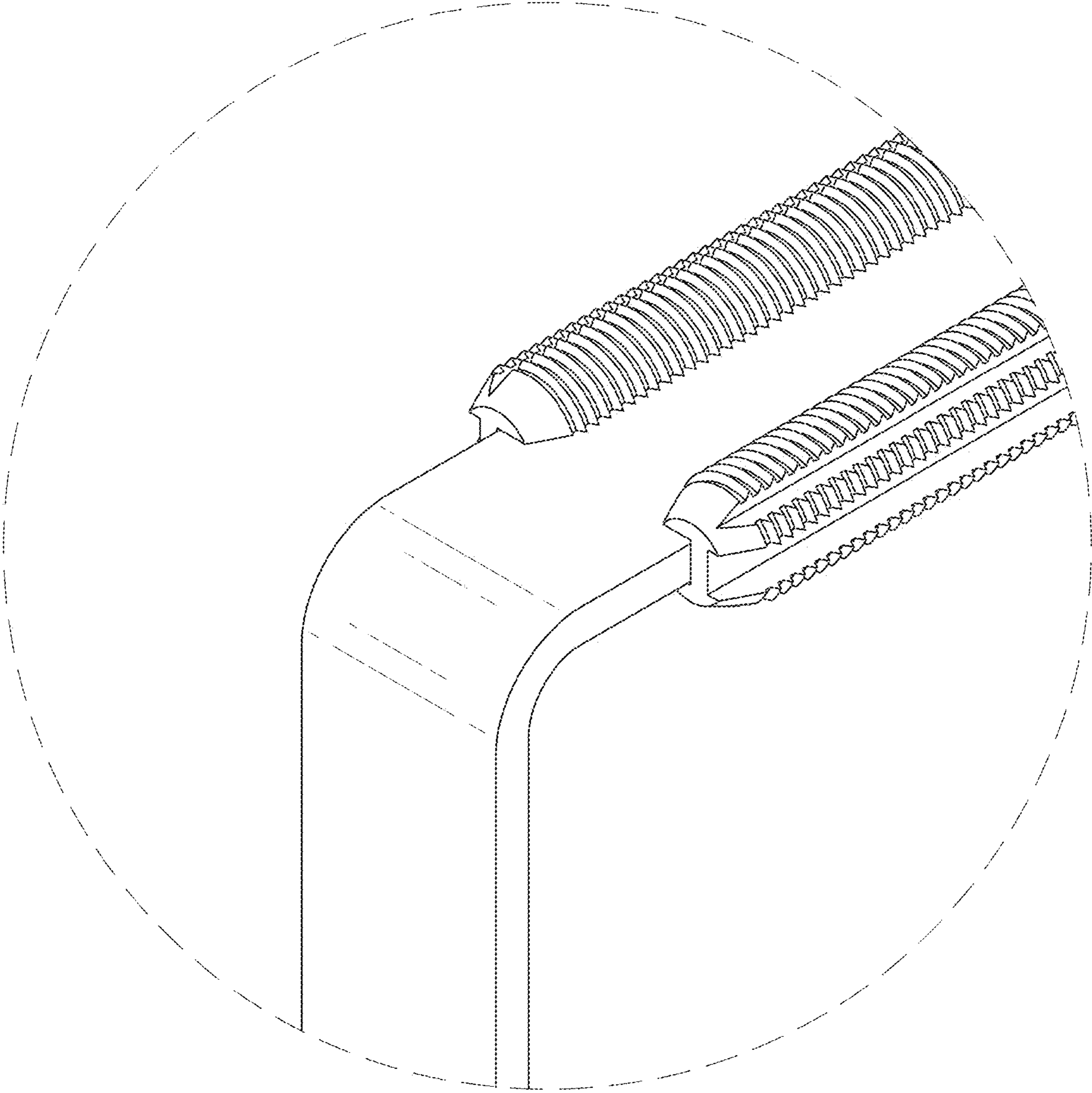


FIG. 8