



US00D980569S

(12) **United States Design Patent** (10) **Patent No.:** **US D980,569 S**  
**Patel** (45) **Date of Patent:** **\*\* \*Mar. 7, 2023**

(54) **CLEANING DEVICE**

(71) Applicant: **Uproot Lint LLC**, Miami, FL (US)

(72) Inventor: **Mehul Patel**, Miami, FL (US)

(73) Assignee: **Uproot Lint LLC**, Miami, FL (US)

(\* ) Notice: This patent is subject to a terminal disclaimer.

(\*\*) Term: **15 Years**

(21) Appl. No.: **29/854,312**

(22) Filed: **Sep. 23, 2022**

(51) **LOC (14) Cl.** ..... **07-05**

(52) **U.S. Cl.**  
USPC ..... **D32/52; D4/118; D30/158**

(58) **Field of Classification Search**  
USPC ..... D32/1, 15, 17, 40-42, 46, 72, 74;  
D4/118, 121-123, 131, 136-138, 199;  
D21/532; D28/44-45, 50; D30/158;  
D8/83, 94, 107  
CPC ..... A46B 9/005; A46B 13/08; A46B 15/0081;  
A46B 2200/3053; A46B 5/02; A46B  
5/021; A46B 5/026; A47L 7/0066; A47L  
9/0613; A47L 13/00; A47L 13/02; A47L  
25/08;

(Continued)

(56) **References Cited**

**U.S. PATENT DOCUMENTS**

3,363,276 A \* 1/1968 Thomas, Jr. .... A47L 25/005  
15/230.11  
D293,860 S \* 1/1988 Smith ..... D4/122

(Continued)

**FOREIGN PATENT DOCUMENTS**

EM 007383278-0001 1/2020  
GB 6125931 \* 3/2021

**OTHER PUBLICATIONS**

Uproot Cleaner Pro Reusable Cat Hair Remover, available in Amazon.com, date first available Nov. 11, 2021 [online], [site visited Dec. 8, 2022], Available from the internet URL: https://www.amazon.com/dp/B09LNX88YK/ref=sspa\_dk\_detail\_0 (Year: 2021).\*

(Continued)

*Primary Examiner* — Jennifer Rivard

*Assistant Examiner* — Jennylou M Binas

(74) *Attorney, Agent, or Firm* — John H. Choi & Associates

(57) **CLAIM**

The ornamental design for a cleaning device, as shown and described.

**DESCRIPTION**

FIG. 1 is a perspective view of an embodiment of a cleaning device showing my new design; FIG. 2 is a front plan view of the cleaning device of FIG. 1; FIG. 3 is a rear plan view of the cleaning device of FIG. 1; FIG. 4 is a top plan view of the cleaning device of FIG. 1; FIG. 5 is a bottom plan view of the cleaning device of FIG. 1;

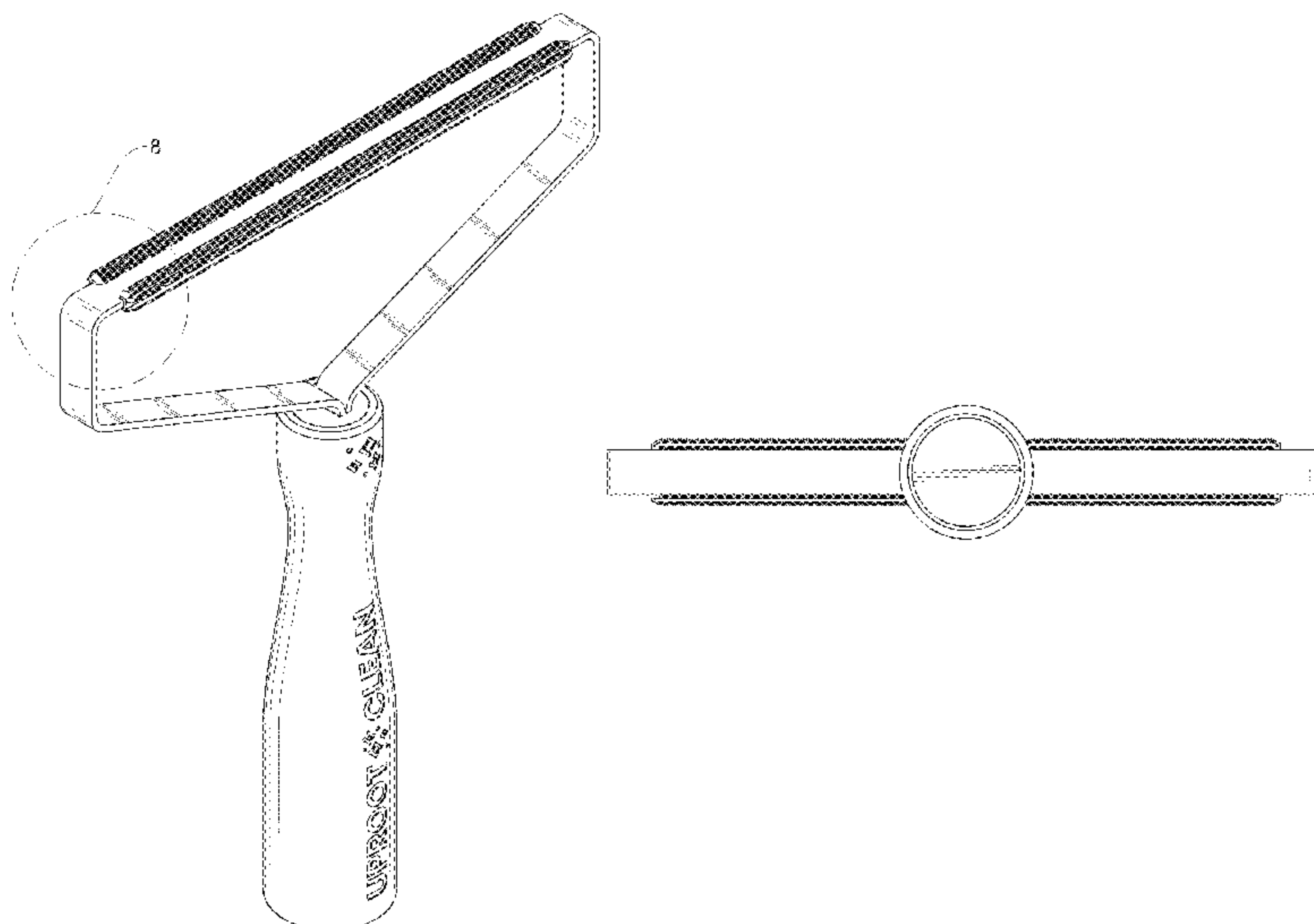
FIG. 6 is a left side view of the cleaning device of FIG. 1; FIG. 7 is a right side view of the cleaning device of FIG. 1; and,

FIG. 8 is a close-up perspective view of teeth members of the cleaning device of FIG. 1.

The broken lines shown in FIGS. 1 and 8 are for the purpose of illustrating the cut-off boundary of the enlarged detail of the cleaning device and the broken lines form no part of the claimed design.

The “UPROOT CLEAN” forming part of the claimed design disclosure is a registered trademark of Uproot Lint LLC.

**1 Claim, 8 Drawing Sheets**



(58) **Field of Classification Search**

CPC ..... A47L 25/005; B08B 1/00; D06F 58/22;  
 B25G 1/102; B26B 1/10; Y10S 16/12  
 See application file for complete search history.

(56) **References Cited**

U.S. PATENT DOCUMENTS

D299,974	S	*	2/1989	Schmitt	.....	D28/7
D358,416	S	*	5/1995	Kishino	.....	D32/40
D383,611	S	*	9/1997	Tsai	.....	D4/131
D396,906	S	*	8/1998	Medici	.....	D4/122
D408,106	S	*	4/1999	Cousins	.....	D32/42
6,141,821	A	*	11/2000	Chin	.....	B05C 17/023
						D4/122
D449,909	S	*	10/2001	Randolph	.....	D4/138
D554,375	S	*	11/2007	Gunjian	.....	D4/131
D616,650	S	*	6/2010	Saadian	.....	D4/122
D625,064	S	*	10/2010	Lee	.....	D32/42
D642,740	S	*	8/2011	Chiodo	.....	D28/44
D645,664	S	*	9/2011	Pires	.....	D4/133
D666,374	S	*	8/2012	Angel	.....	D32/41
D670,057	S	*	10/2012	DiMauro	.....	D32/46
D677,469	S	*	3/2013	Seehoff	.....	D4/122
D696,826	S	*	12/2013	Seehoff	.....	D4/138
D819,977	S	*	6/2018	Zemel	.....	D4/131
D830,553	S	*	10/2018	Wall	.....	D4/136
D884,293	S	*	5/2020	Yan	.....	D30/158
D889,851	S	*	7/2020	Lei	.....	D4/118
D942,834	S	*	2/2022	Levand	.....	D8/107
D968,045	S	*	10/2022	Chen	.....	D4/118
D971,615	S	*	12/2022	Wang	.....	D4/118
2004/0087973	A1	*	5/2004	Shobeiri	.....	A45D 26/0033
						606/133

OTHER PUBLICATIONS

Uproot Cleaner™ Limited Edition Bundle, customer review oldest date Nov. 22, 2021 [online], [site visited Dec. 8, 2022], Available from the internet URL: <https://uprootclean.com/products/uproot-cleaner-limited-edition-bundle> (Year: 2021).\*

Uproot Cleaner Bundle, available in <https://uprootclean.com/>, customer review oldest date Nov. 9, 2022 [online], [site visited Dec. 8, 2022], Available from the internet URL: <https://uprootclean.com/products/uproot-cleaner-bundle-2> (Year: 2022).\*

Lillie' Reviews, Eco friendly Portable Lint Remover reviews / How to use Lint Remover ?, Dec. 6, 2019, <https://www.youtube.com/watch?v=7R29jse4ZAA>.

Shri Gloria, Portable Lint Remover Review / Does is really work ?, Jan. 1, 2020, <https://www.youtube.com/watch?v=8HScypi2J-w>.

Commonlee, Portable Lint Remover Review 2020—Does It Work?, Dec. 5, 2019, <https://www.youtube.com/watch?v=wY2nZ45LgqY&t=4s>.

Seniorgg Tool, Portable Lint Remover, Oct. 16, 2019, <https://www.facebook.com/364456337730063/posts/501314810710881>.

Kidsman House, Portable Lint Remover, Oct. 16, 2019, <https://www.facebook.com/2127638837272667/posts/2435470573156157>.

Zemmo.shop, Portable Lint Remover, Oct. 22, 2019, <https://www.facebook.com/627886544376478/posts/709556886209443>.

Mohaul Shop, Portable Lint Remover Clothes Fuzz Shaver restores your clothes and fabrics to a fresh new look!, Oct. 17, 2019, <https://www.facebook.com/304196193832101/posts/408855190032867>.

\* cited by examiner

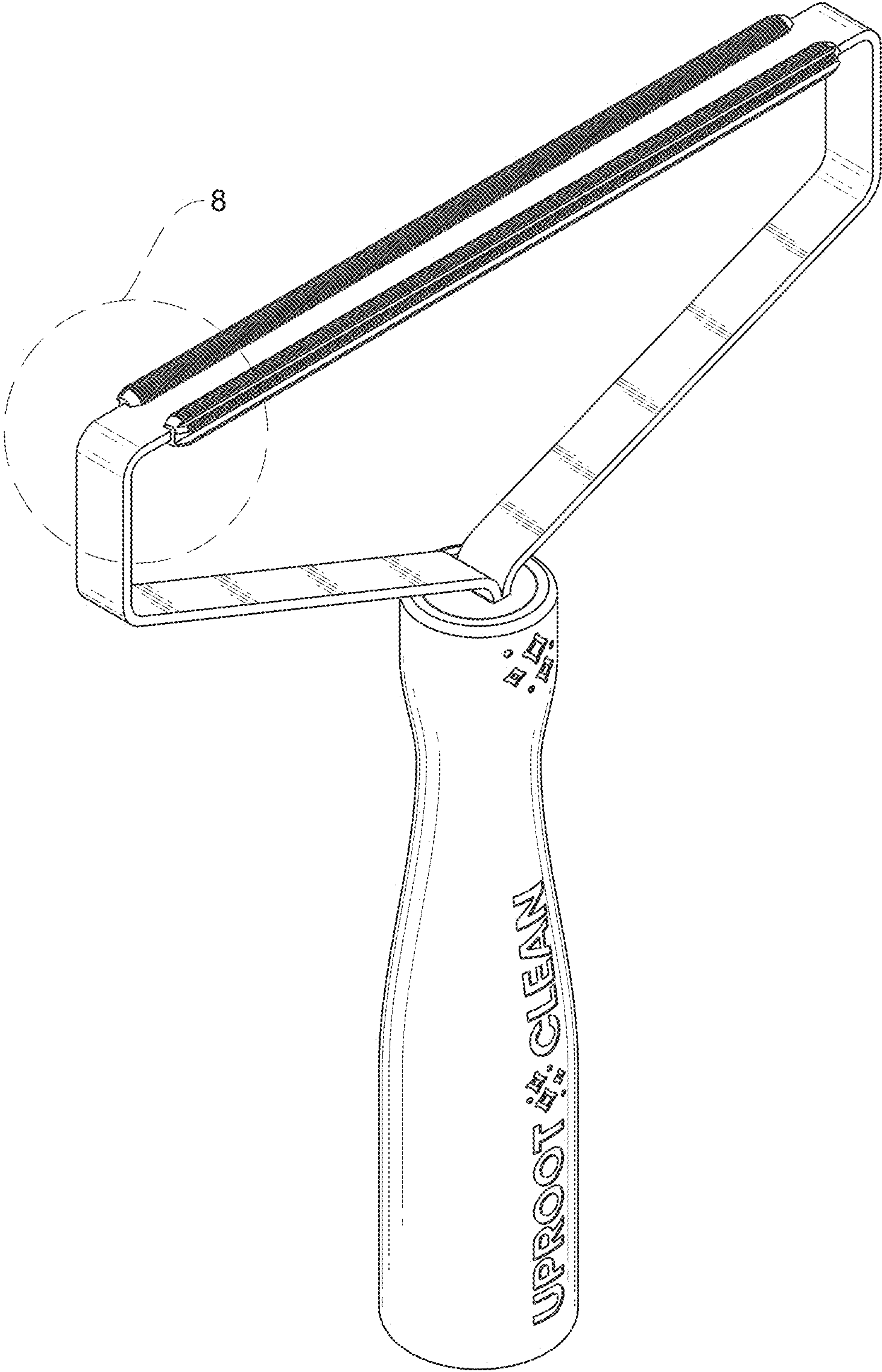


FIG. 1



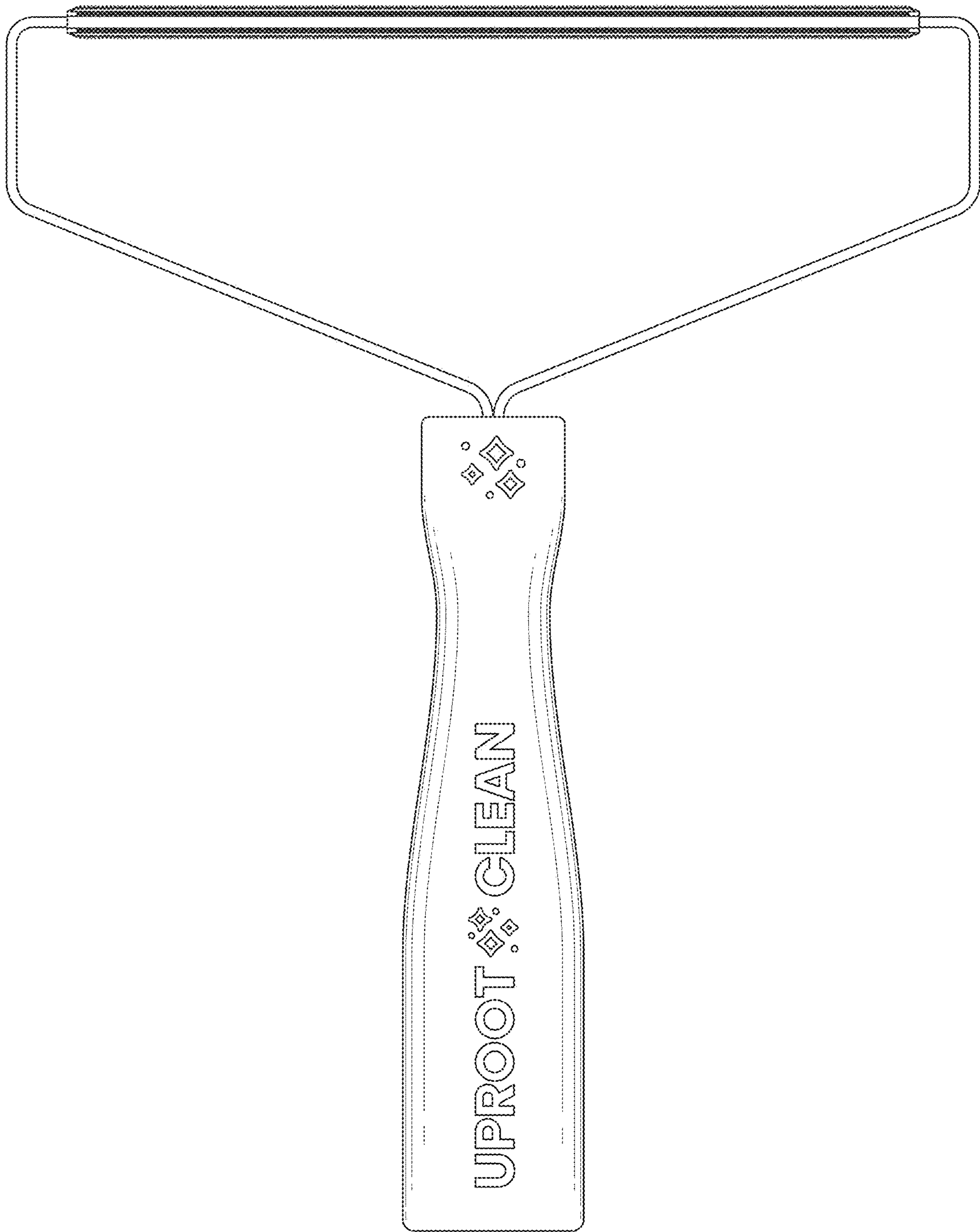


FIG. 2

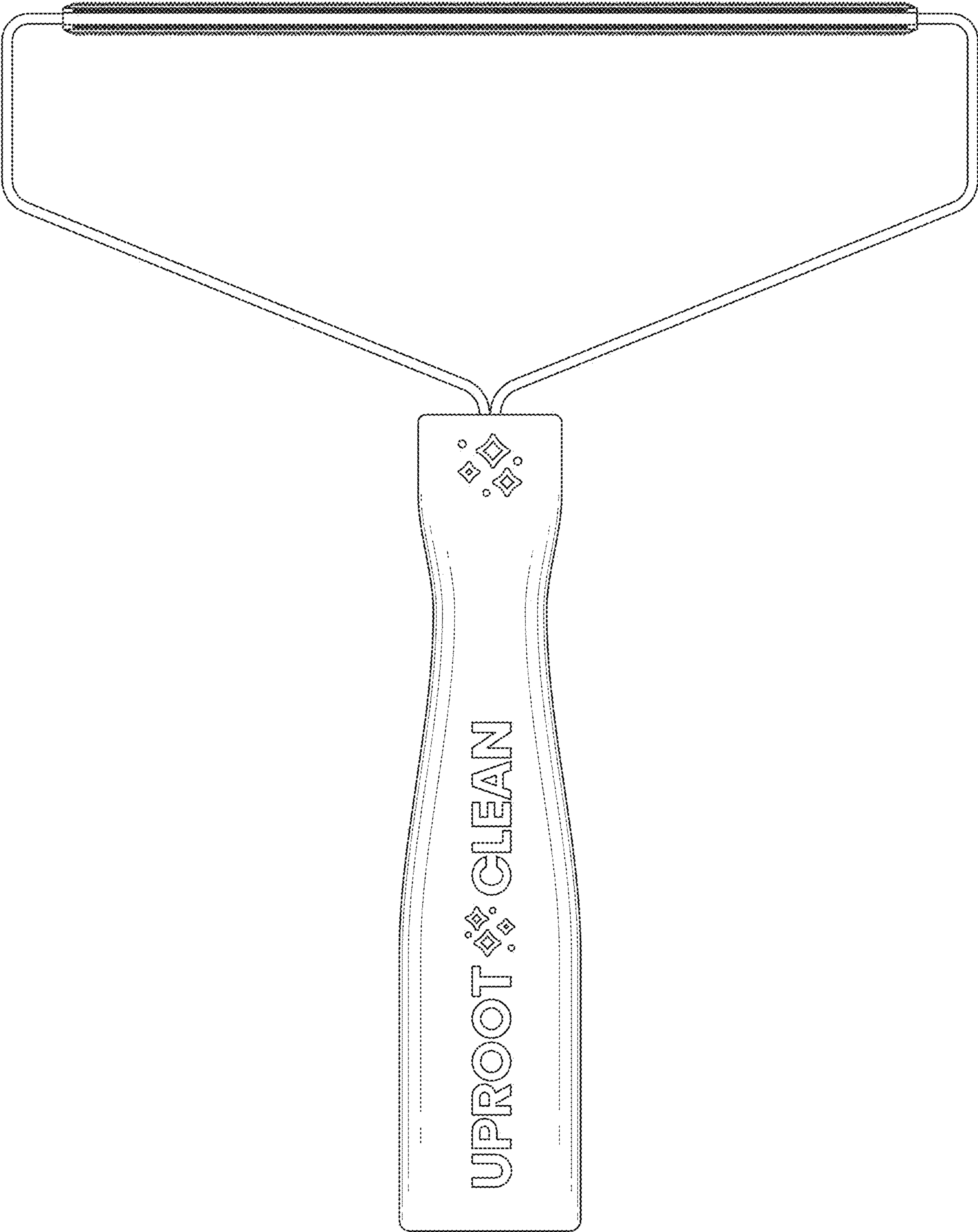


FIG. 3

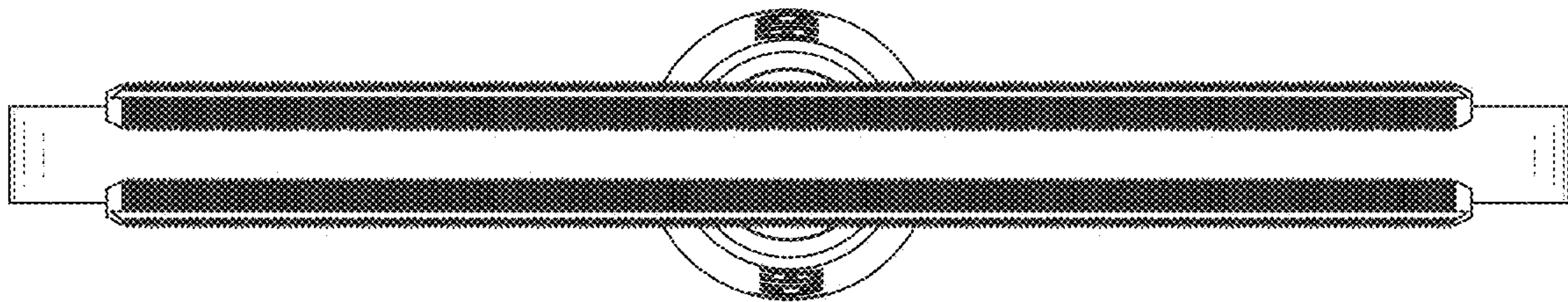


FIG. 4

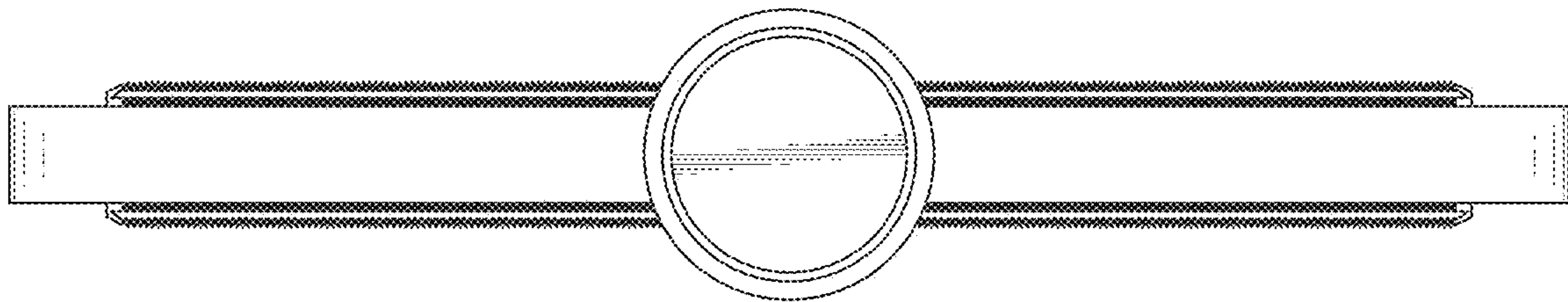


FIG. 5

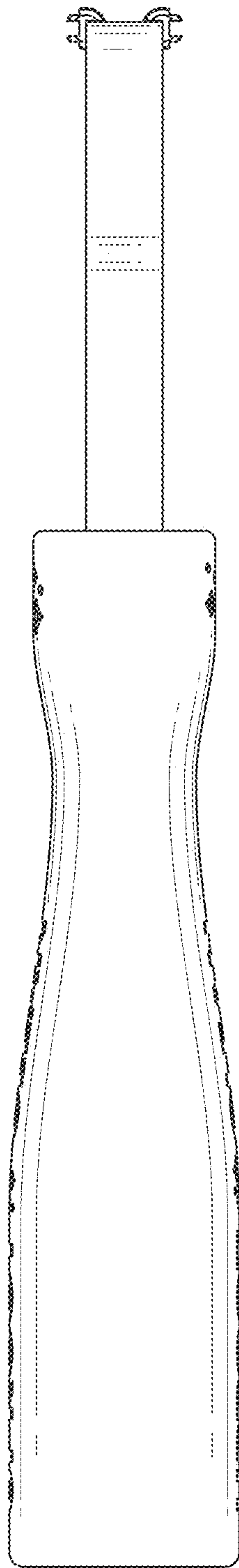


FIG. 6



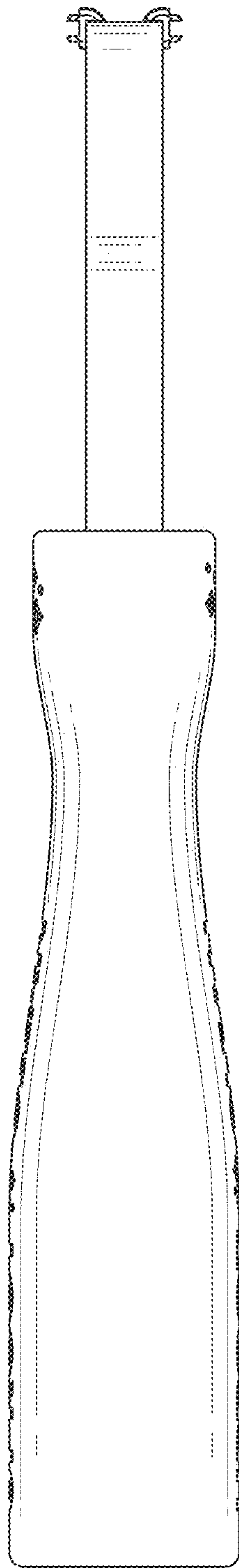


FIG. 7

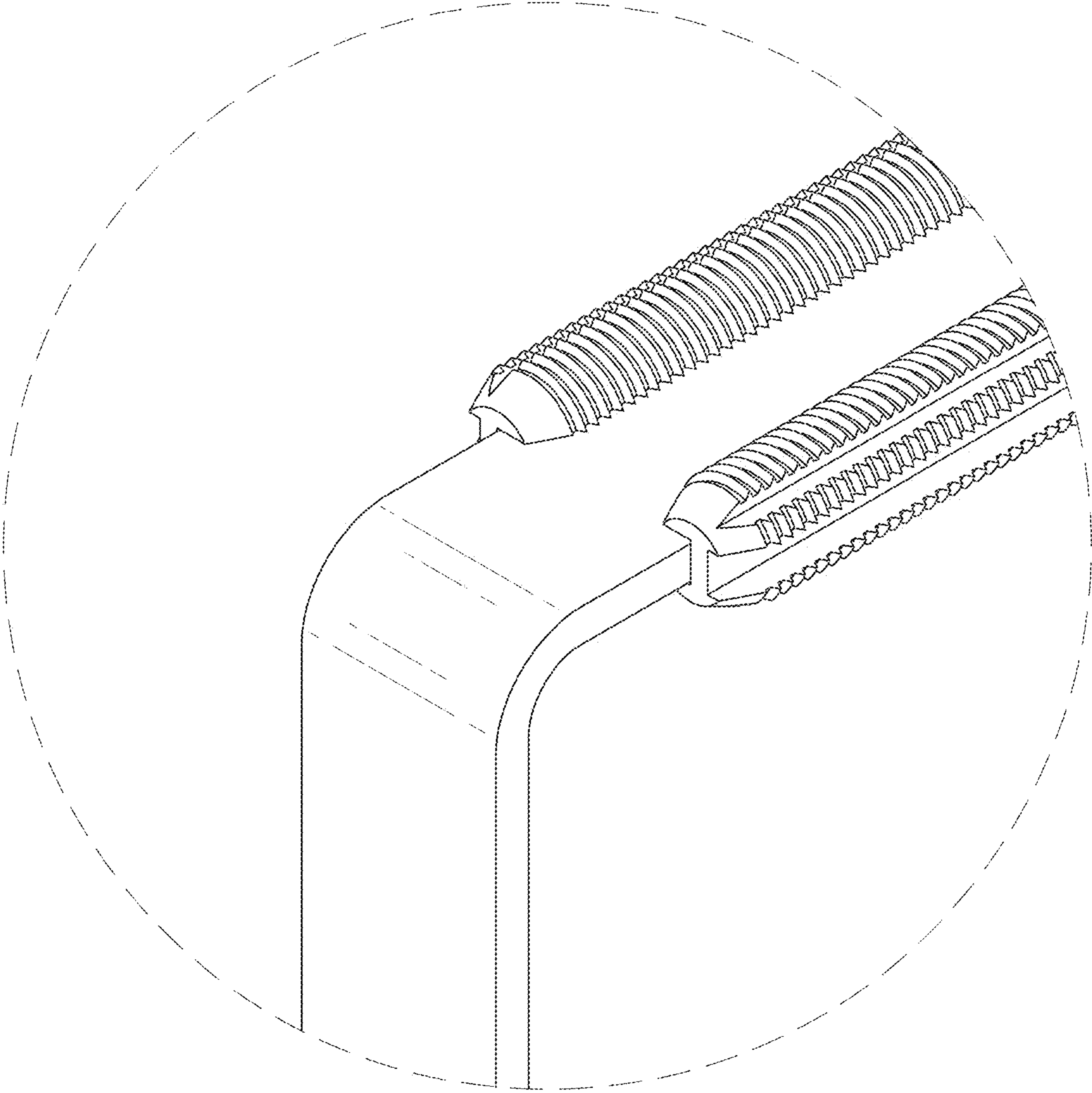


FIG. 8