



US00D980568S

(12) **United States Design Patent**  
**Wang et al.**

(10) **Patent No.: US D980,568 S**  
(45) **Date of Patent: \*\* Mar. 7, 2023**

- (54) **CAR WASH MOP**
- (71) Applicant: **Chufei Wang**, Anqing (CN)
- (72) Inventors: **Chufei Wang**, Anqing (CN); **Kunyou He**, Shangrao (CN)
- (\*\*) Term: **15 Years**
- (21) Appl. No.: **29/837,402**
- (22) Filed: **May 5, 2022**
- (51) **LOC (14) Cl.** ..... **07-05**
- (52) **U.S. Cl.**  
USPC ..... **D32/40; D32/50; D32/51**
- (58) **Field of Classification Search**  
USPC ..... D32/15, 22, 25, 31-34, 38-52, 74;  
D4/100, 116, 117, 121, 135, 138, 199;  
D8/10; D30/162; D21/526  
CPC ..... A46B 1/00; A46B 5/0095; A46B 5/005;  
A47L 1/06; A47L 9/0673; A47L 9/0686;  
A47L 11/4075; A47L 11/4058; A47L  
13/24; A47L 13/20; A47L 13/256; A47L  
13/44; A47L 13/253; B25G 1/00; B25G  
1/02; B25G 1/04; B25G 1/06; B25G  
1/102; B25G 3/00; B25G 3/04; B25G  
3/12; B25G 3/24; B25G 3/36; B25G  
3/38; Y10T 16/44; Y10T 16/469; Y10T  
403/32254; Y10T 403/32606; Y10T  
403/32188; Y10T 403/32213; Y10T  
403/42  
See application file for complete search history.

(56) **References Cited**  
U.S. PATENT DOCUMENTS

D325,454 S *	4/1992	Schmidt	.....	D32/51
D552,315 S *	10/2007	Harper	.....	D32/40
D554,815 S *	11/2007	Harper	.....	D32/40
D579,165 S *	10/2008	Handy	.....	D32/40
D597,719 S *	8/2009	McNeil	.....	D32/51
D611,667 S *	3/2010	Libman	.....	D32/50
D644,386 S *	8/2011	Tawara	.....	D32/51

D720,906 S *	1/2015	Baldwin	.....	D32/51
D721,462 S	1/2015	Muhl		
D766,528 S *	9/2016	Choi	.....	D32/50

(Continued)

FOREIGN PATENT DOCUMENTS

CN	305043569	*	2/2019
CN	306903549	*	10/2021

OTHER PUBLICATIONS

2022 New Car Cleaning Brush Car Wash Brush Telescoping Long Handle Cleaning Mop Chenille Broom Auto, announced in YouTube on Apr. 16, 2022 [online], [site visited Aug. 27, 2022], Available from the internet URL: URL: <https://www.youtube.com/watch?v=gD5hHuU7fOc> (Year: 2022).\*

(Continued)

*Primary Examiner* — Jennifer Rivard  
*Assistant Examiner* — Jennylou M Binas

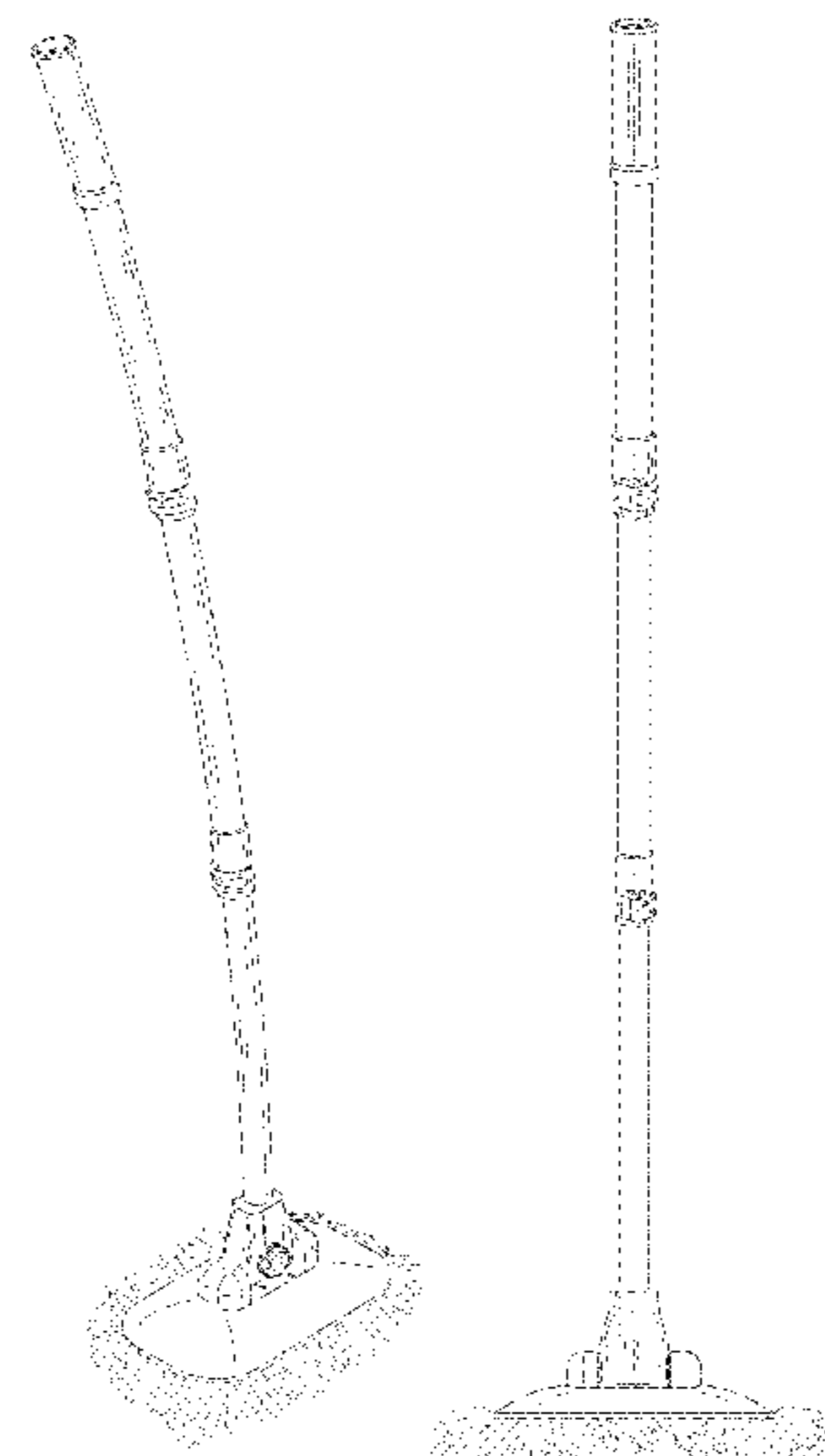
(57) **CLAIM**

The ornamental design for a car wash mop, as shown and described.

**DESCRIPTION**

FIG. 1 is a front perspective view of a car wash mop, showing our new design;  
FIG. 2 is the perspective view showing partially contracted state;  
FIG. 3 is the perspective view showing fully contracted state;  
FIG. 4 is a front view of FIG. 1;  
FIG. 5 is a rear view thereof;  
FIG. 6 is a left side view thereof;  
FIG. 7 is a right side view thereof;  
FIG. 8 is a top view thereof; and,  
FIG. 9 is a bottom view thereof.  
The broken lines in the drawings illustrate the portions of the car wash mop, which form no part of the claimed design.

**1 Claim, 9 Drawing Sheets**



(56)

**References Cited**

U.S. PATENT DOCUMENTS

D849,347 S \* 5/2019 Hekking ..... D32/40  
D935,719 S \* 11/2021 Huang ..... D32/51  
D938,682 S \* 12/2021 Zhang ..... D4/133  
D952,278 S \* 5/2022 Brugora ..... D32/50

OTHER PUBLICATIONS

Xiangbste Chenille Microfiber Car Wash Mop, available in Amazon.com, date first available Jan. 22, 2022 [online], [site visited Aug. 27, 2022], Available from the internet URL: <https://www.amazon.com/Chenille-Microfiber-Retractable-Labor-saving-Extension/dp/B09QYSSLHT> (Year: 2022).\*

\* cited by examiner

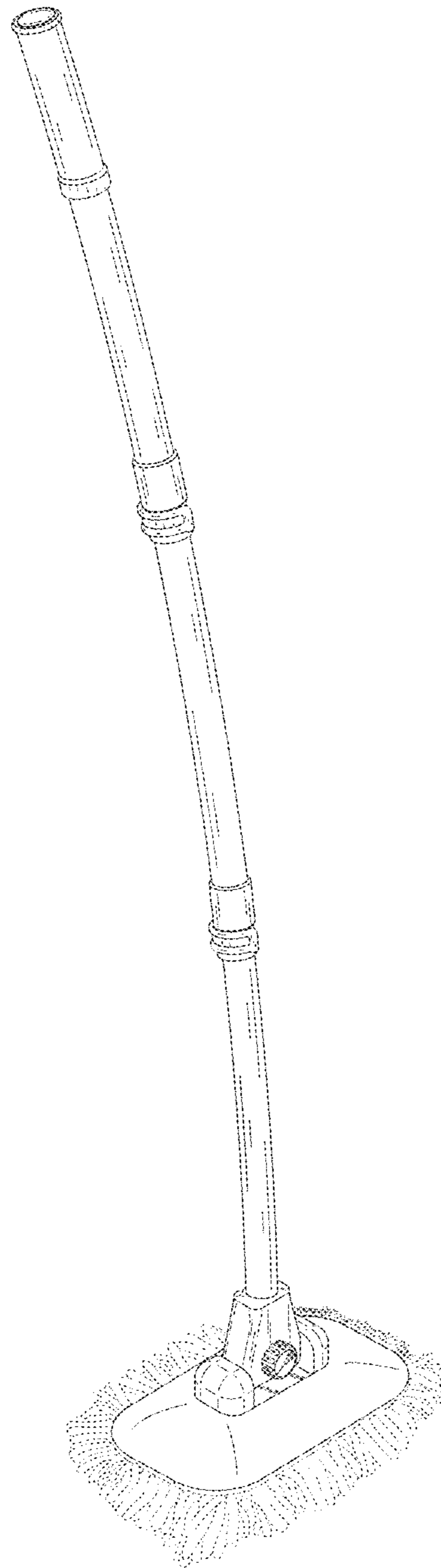


FIG. 1

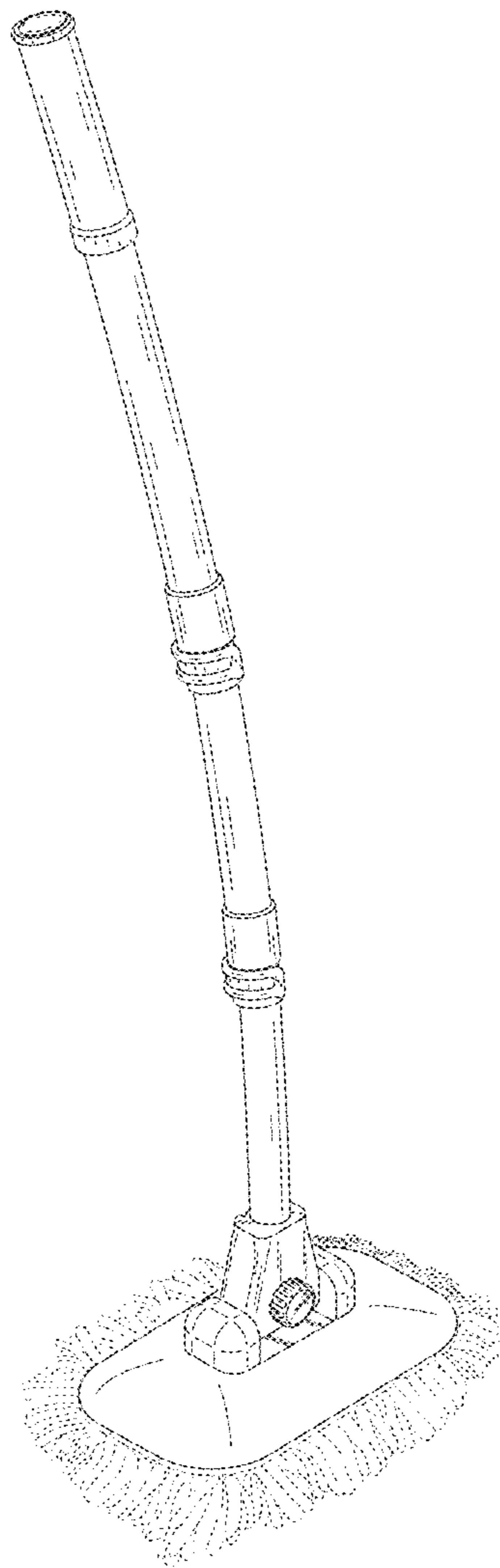


FIG. 2

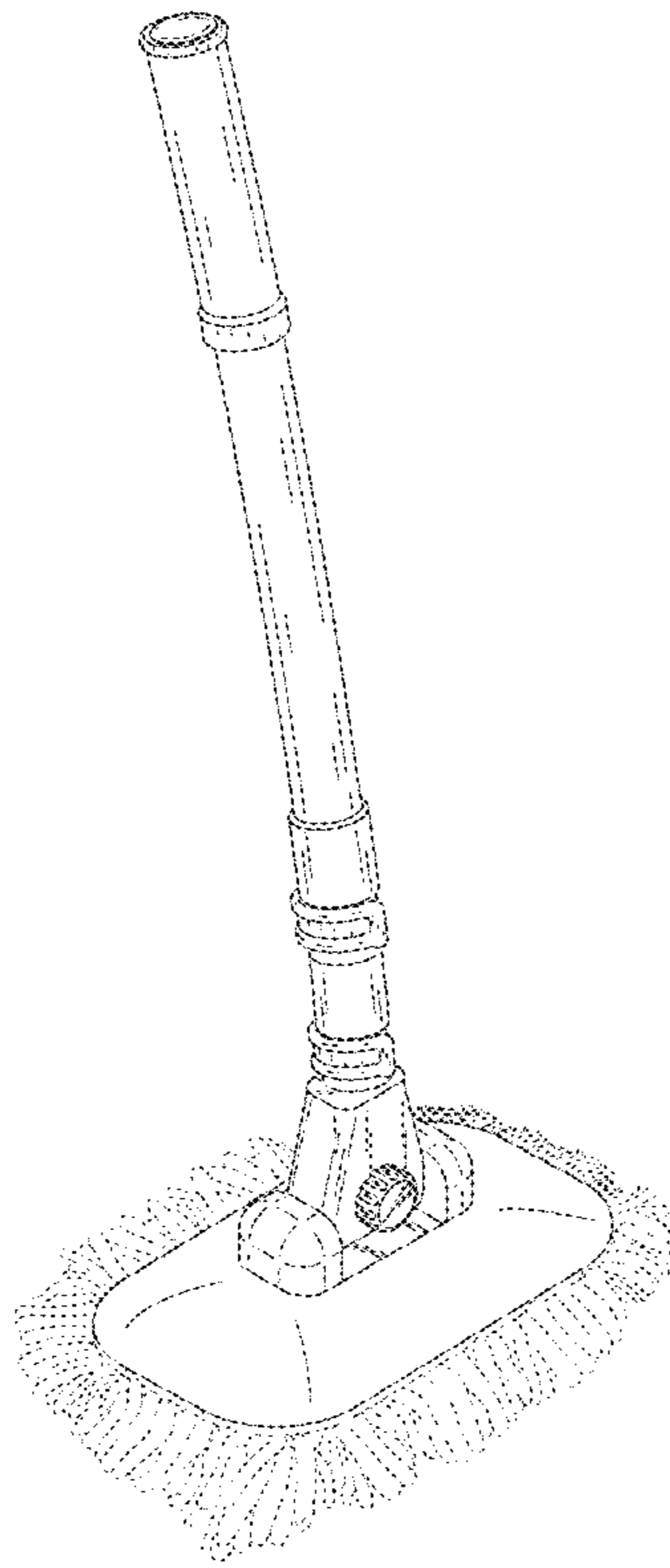


FIG. 3

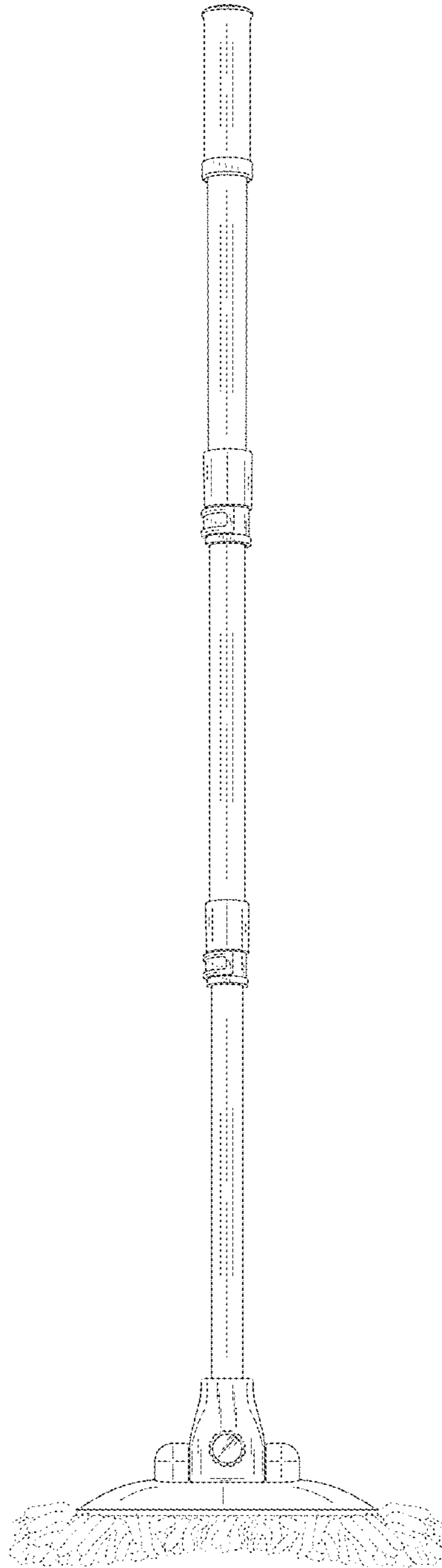


FIG. 4

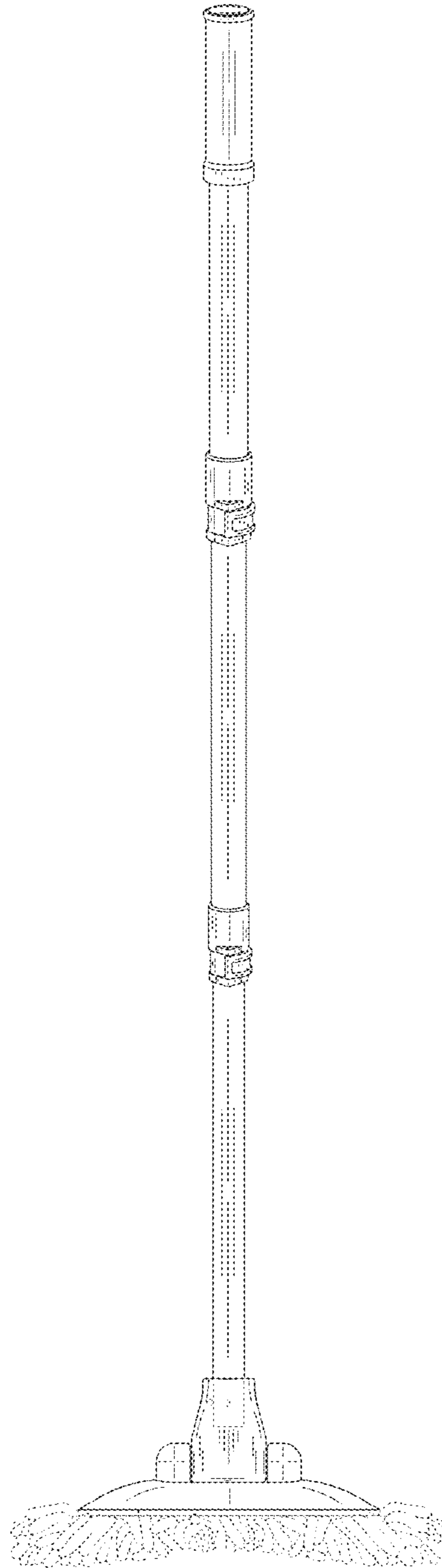


FIG. 5

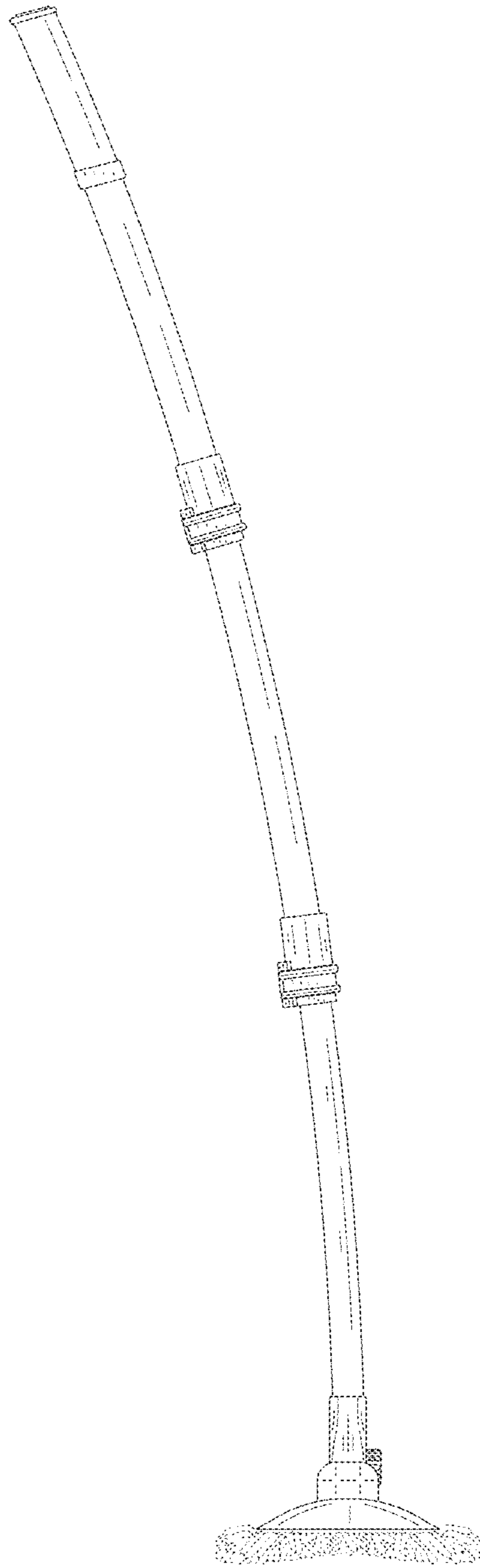


FIG. 6



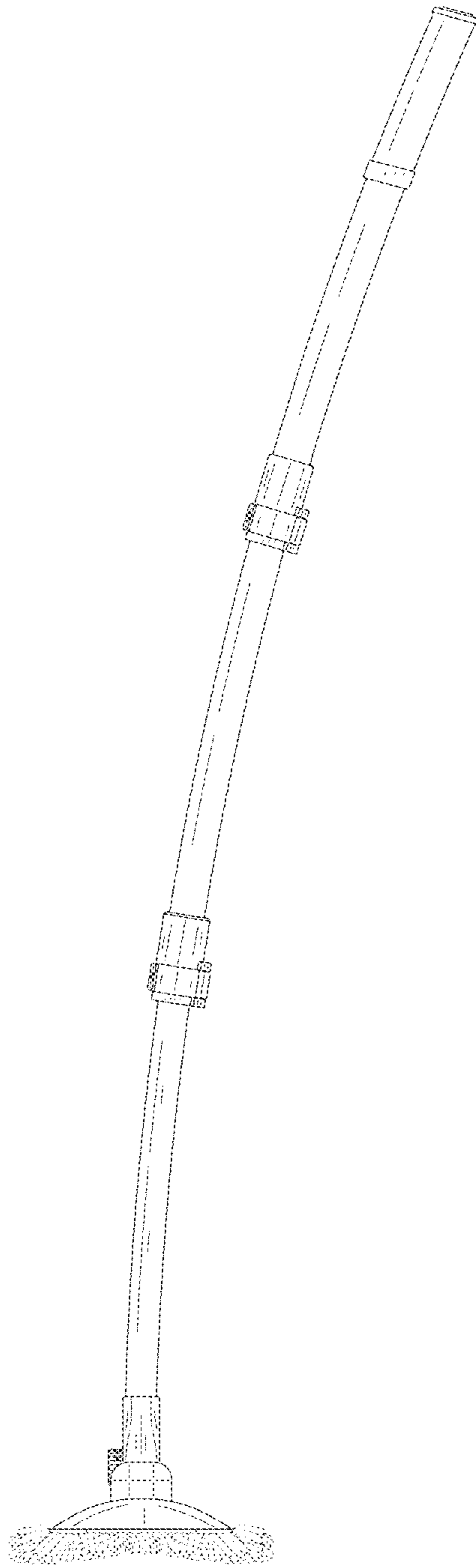


FIG. 7

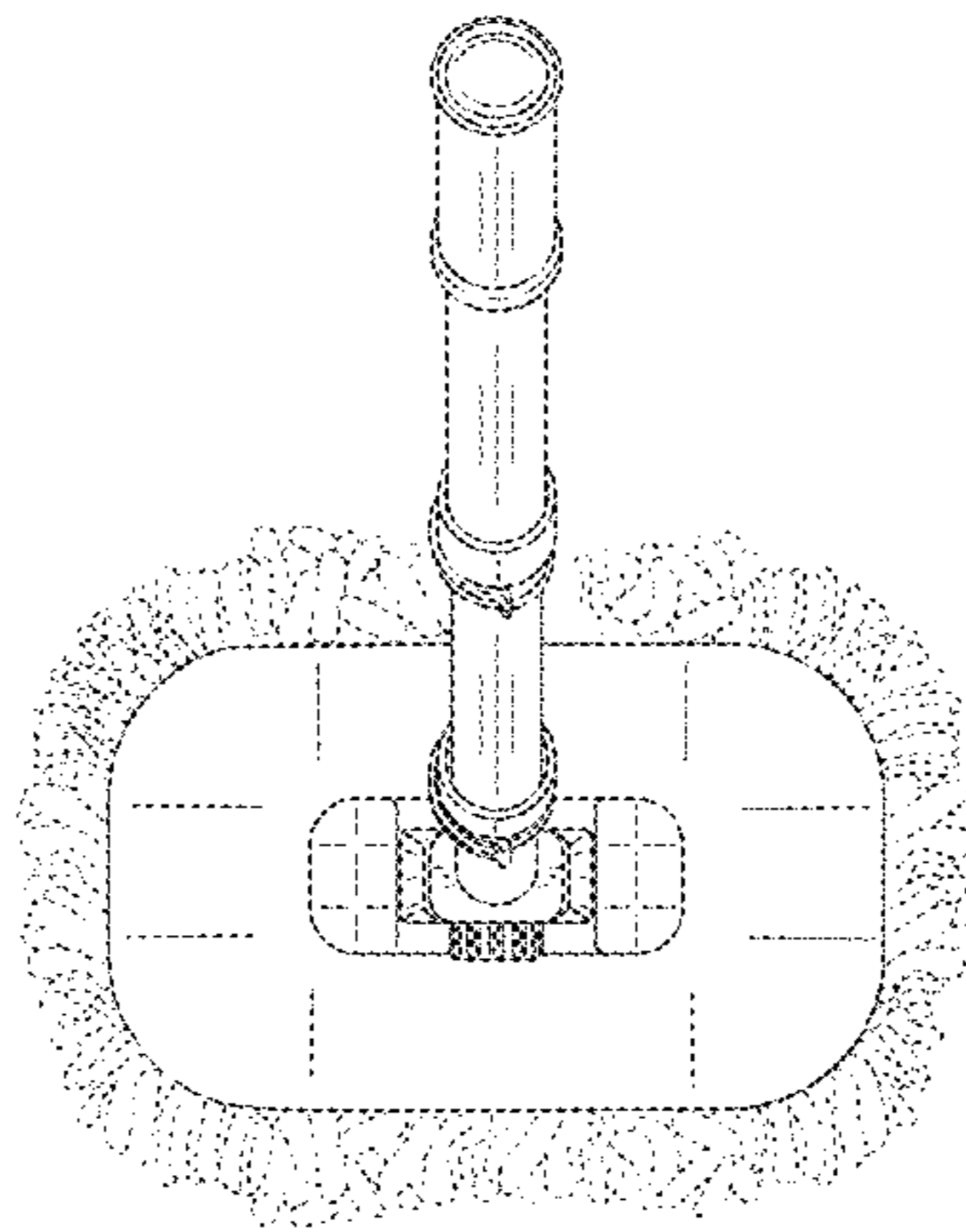


FIG. 8

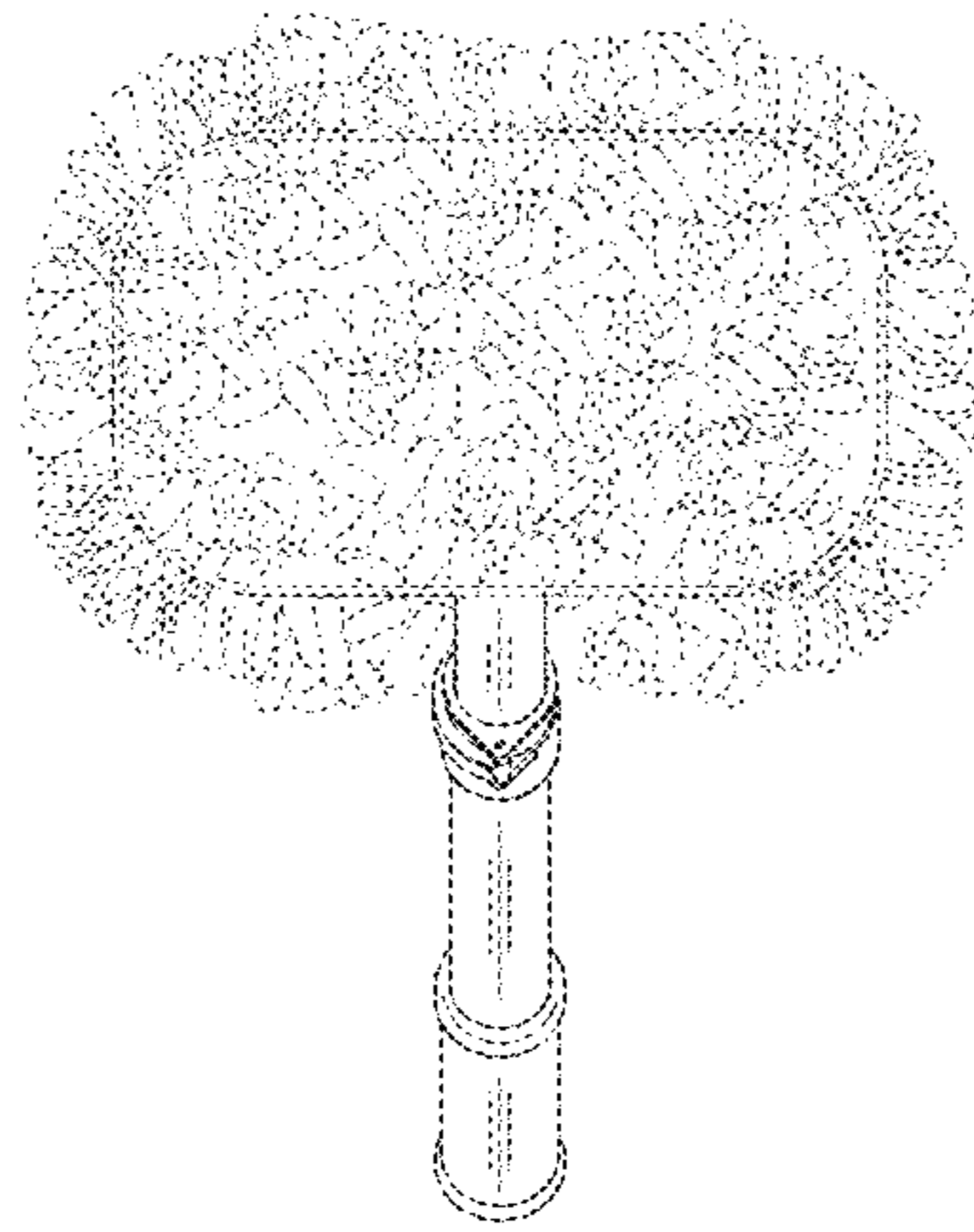


FIG. 9