



US00D980565S

(12) **United States Design Patent**
Wang

(10) **Patent No.:** **US D980,565 S**
(45) **Date of Patent:** **** Mar. 7, 2023**

(54) **POOL SKIMMER NET**

(71) Applicant: **Shenzhen Xincheng Innovation Investment Partnership**, Shenzhen (CN)

(72) Inventor: **Zhi Wang**, Shenzhen (CN)

(**) Term: **15 Years**

(21) Appl. No.: **29/827,683**

(22) Filed: **Feb. 22, 2022**

(51) **LOC (14) Cl.** **07-05**

(52) **U.S. Cl.**
USPC **D32/35**

(58) **Field of Classification Search**
USPC D32/1, 25, 35, 42, 46, 49; D7/667; D21/724; D22/135; D23/209–210, 261; D30/106, 162
CPC A46B 7/00; B01D 23/04; B01D 29/27; B01D 29/111; B25G 1/04; B25G 1/06; B25G 1/10; B25G 3/24; B25G 3/26; E04H 4/10; E04H 4/1254; E04H 4/14; E04H 4/16; E04H 4/1609; E04H 4/1681
See application file for complete search history.

(56) **References Cited**

U.S. PATENT DOCUMENTS

D214,317 S	*	6/1969	Axelrod	D22/135
D273,409 S	*	4/1984	Willinger	D30/106
D488,602 S	*	4/2004	Pecci	D32/35
D628,350 S	*	11/2010	Rossano	D32/35
D638,182 S	*	5/2011	Rossano	D32/35
D638,183 S	*	5/2011	Rossano et al.	D32/35
D671,192 S	*	11/2012	Mailhot	D23/209
D814,728 S	*	4/2018	Duve	D32/46
D832,540 S	*	10/2018	Larouche	D32/35

(Continued)

FOREIGN PATENT DOCUMENTS

CA 129710 * 4/2010

OTHER PUBLICATIONS

Yosoo Swimming Pool Leaf Skimmer Net, available in Amazon.ca, date first available Sep. 3, 2018 [online], [site visited Oct. 27, 2022], Available from the internet URL: https://www.amazon.ca/dp/B07H2BDZBF/ref=sspa_dk_detail_4 (Year: 2018).*

Primary Examiner — Jennifer Rivard

Assistant Examiner — Jennylou M Binas

(74) *Attorney, Agent, or Firm* — Che-Yang Chen; Law Office of Michael Chen

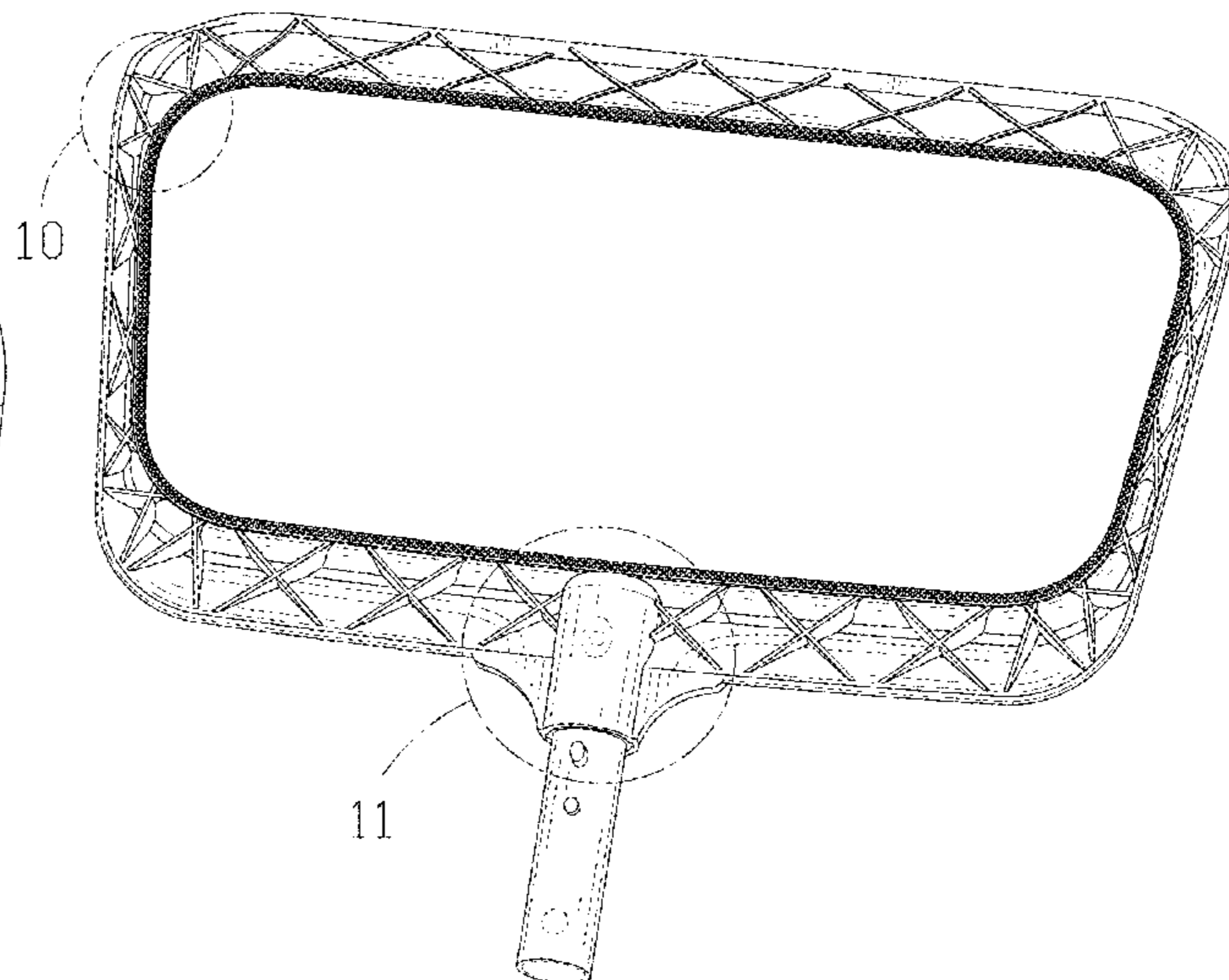
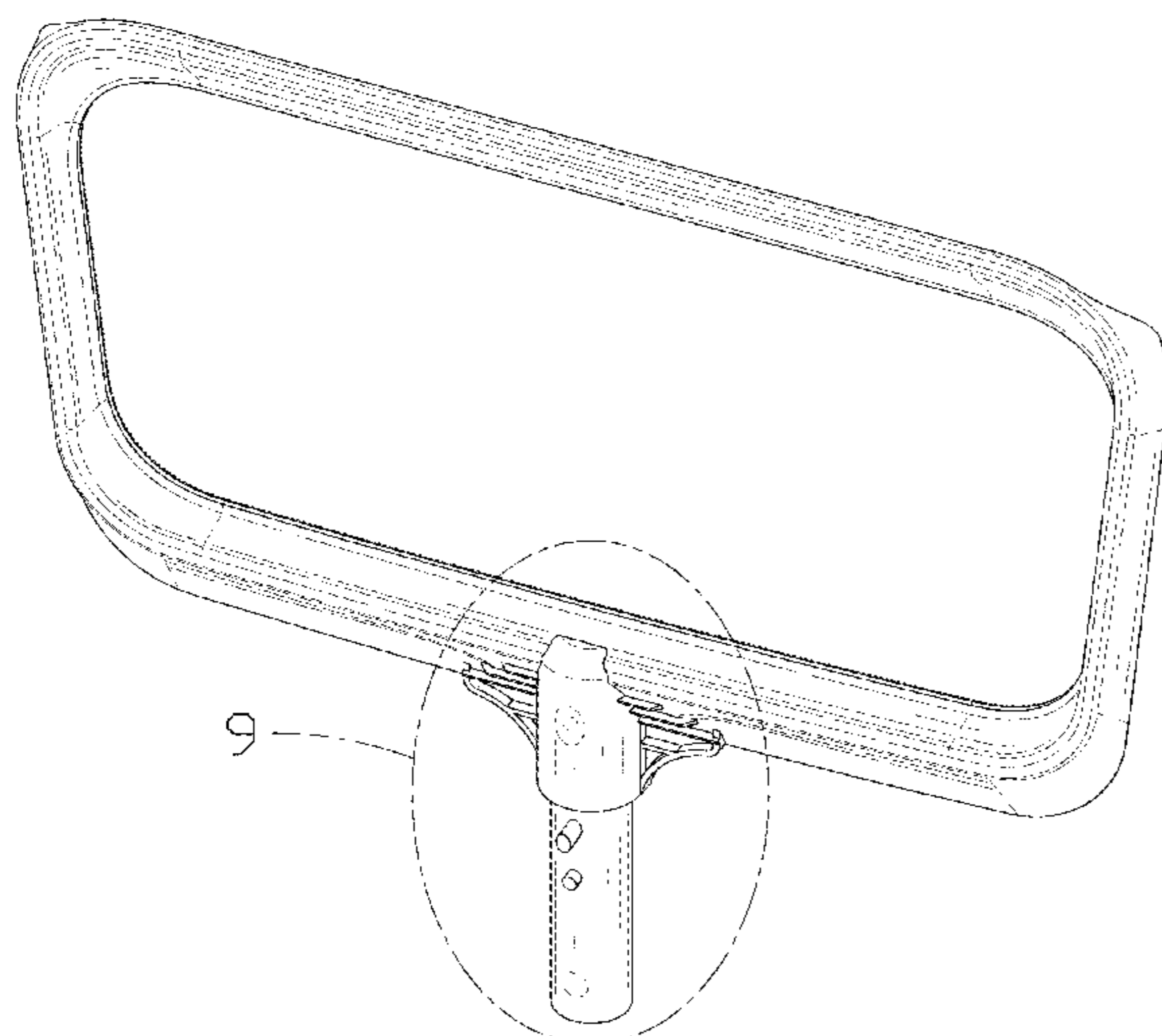
(57) **CLAIM**

The ornamental design for a pool skimmer net, as shown and described.

DESCRIPTION

FIG. 1 is a perspective view of the pool skimmer net showing my new design; FIG. 2 is a perspective view thereof from another angle; FIG. 3 is a front elevational view thereof; FIG. 4 is a rear elevational view thereof; FIG. 5 is a left side elevational view thereof; FIG. 6 is a right side elevational view thereof; FIG. 7 is a top plan view thereof; FIG. 8 is a bottom plan view thereof; FIG. 9 is a partial enlarged view of portion 9 in FIG. 1; FIG. 10 is a partial enlarged view of portion 10 in FIG. 2; FIG. 11 is a partial enlarged view of portion 11 in FIG. 2; and, FIG. 12 is a partial enlarged view of portion 12 in FIG. 5. The dashed broken line shown in the figures is for the purpose of illustrating portions of the pool skimmer net and forms no part of the claimed design. The dot-dash broken line in the figures indicates cutoff boundaries for the enlarged detailed view and forms no part of the claimed design.

1 Claim, 12 Drawing Sheets



(56)

References Cited

U.S. PATENT DOCUMENTS

D867,706 S * 11/2019 Maenza D32/46
D868,206 S * 11/2019 Carrière D23/209
D884,118 S 5/2020 Xu et al.
D912,350 S * 3/2021 Speak D32/35
D938,119 S * 12/2021 Lapalme D32/35
2016/0083971 A1 * 3/2016 Greenfield E04H 4/1609
210/470
2018/0202180 A1 * 7/2018 Baker E04H 4/148
2018/0223555 A1 * 8/2018 Rogers A46B 7/044

* cited by examiner

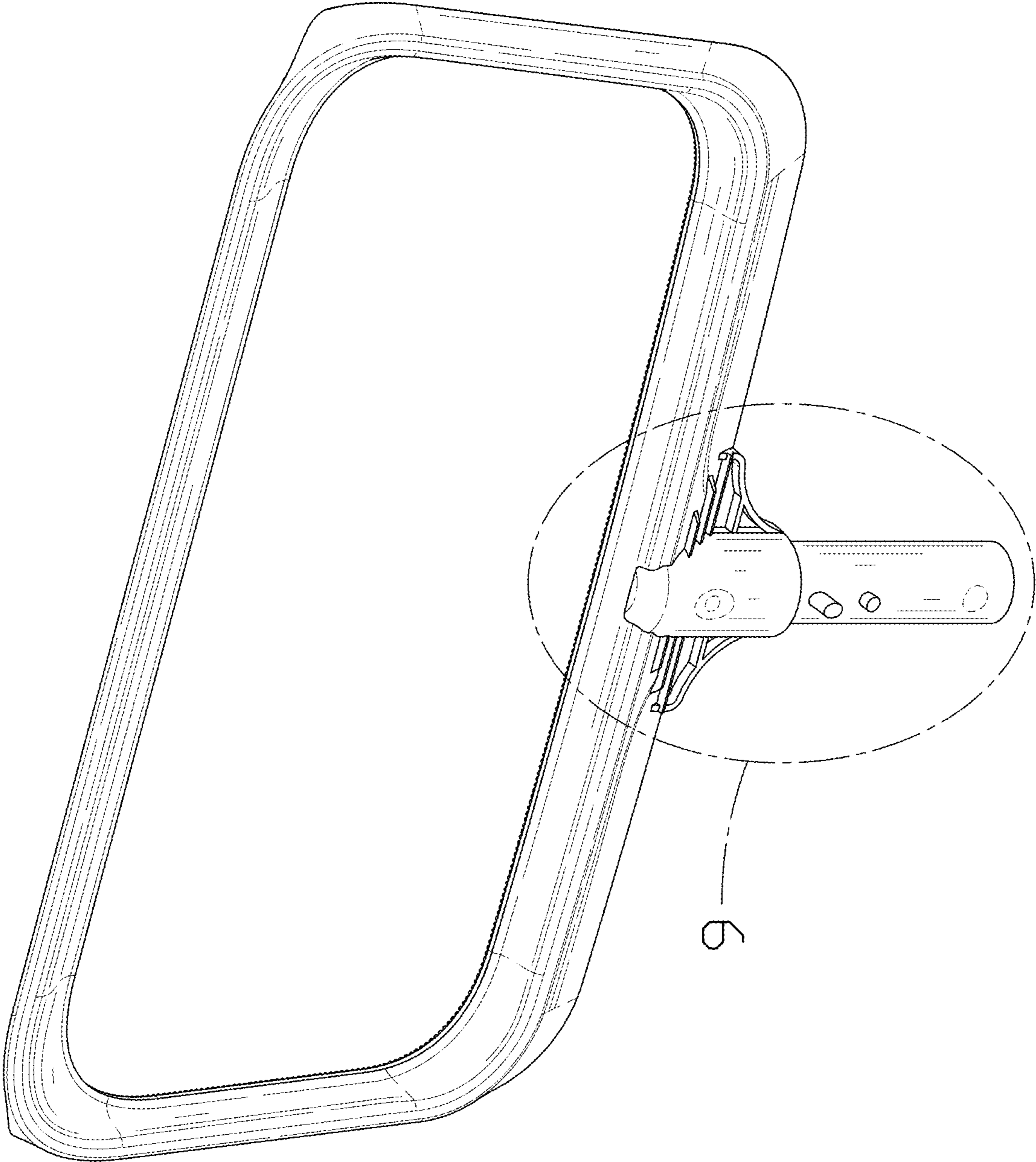


FIG. 1

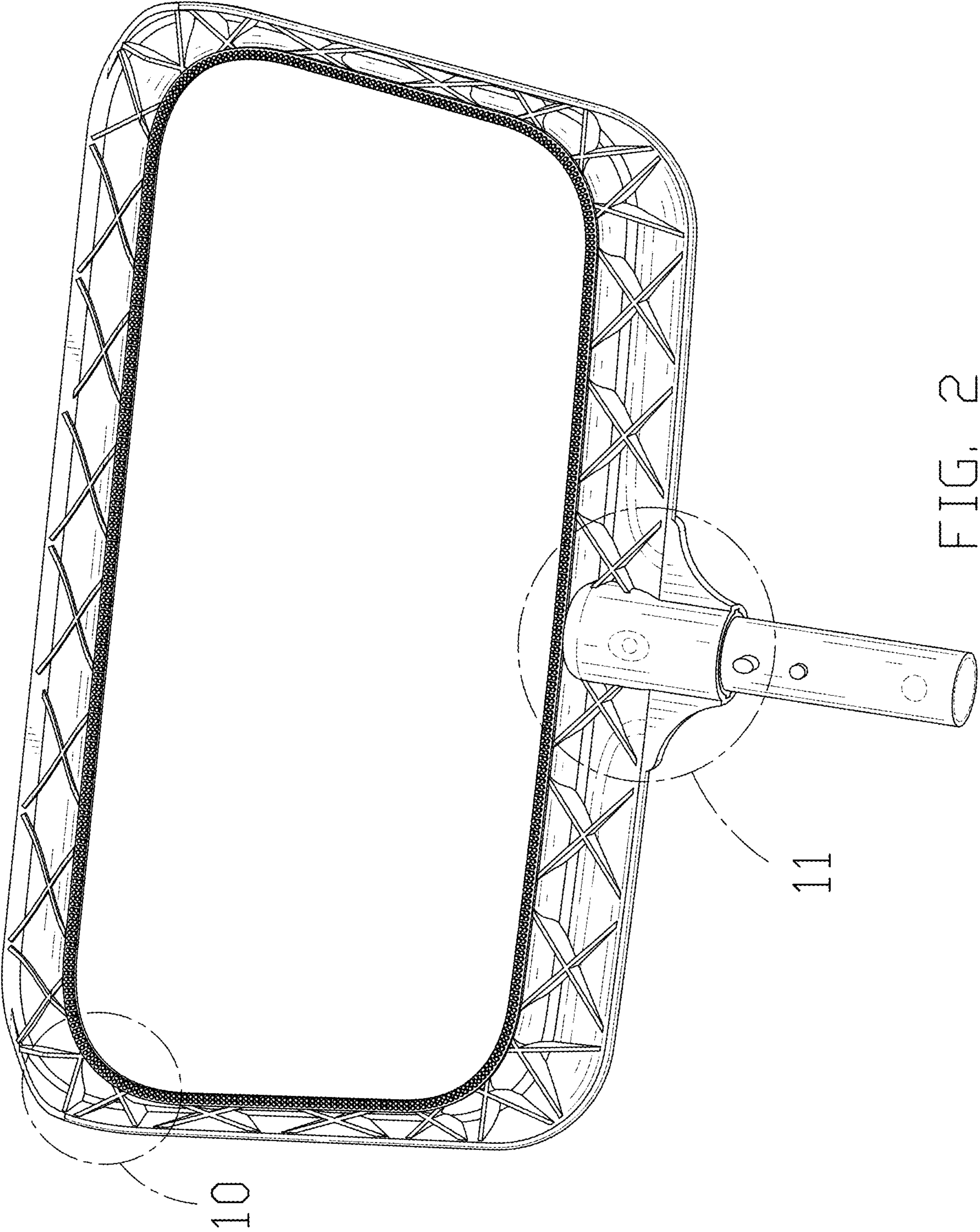


FIG. 2

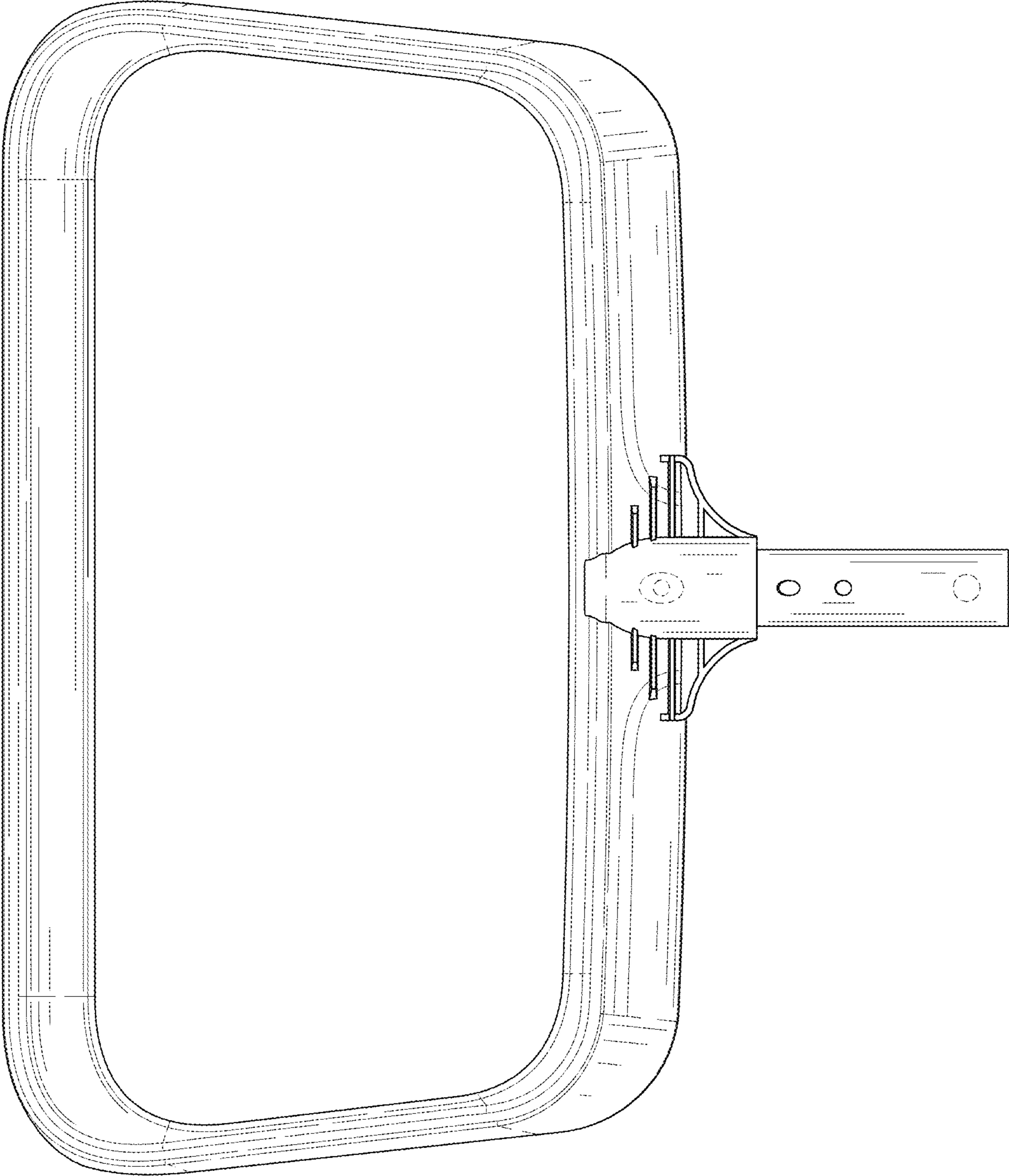


FIG. 3

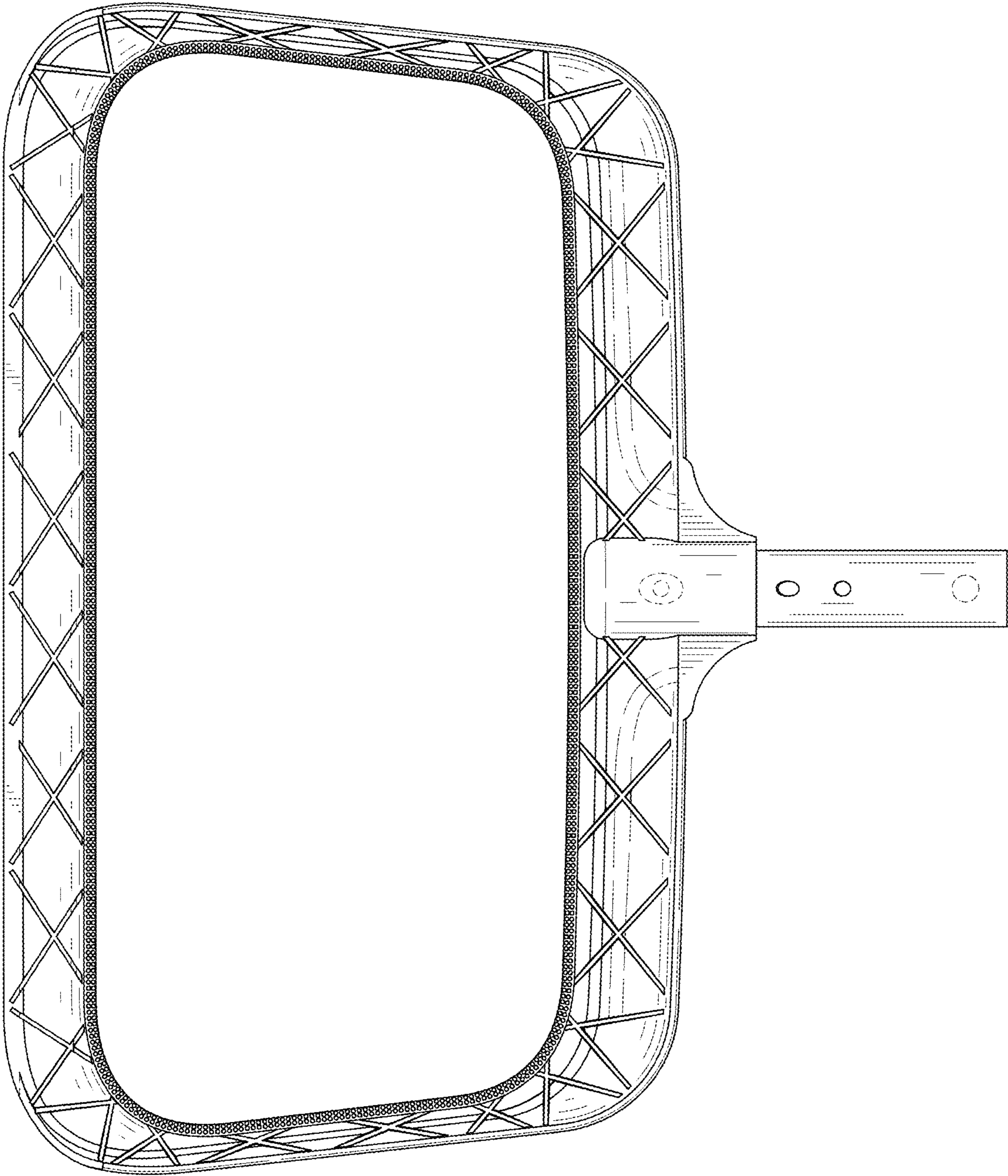


FIG. 4

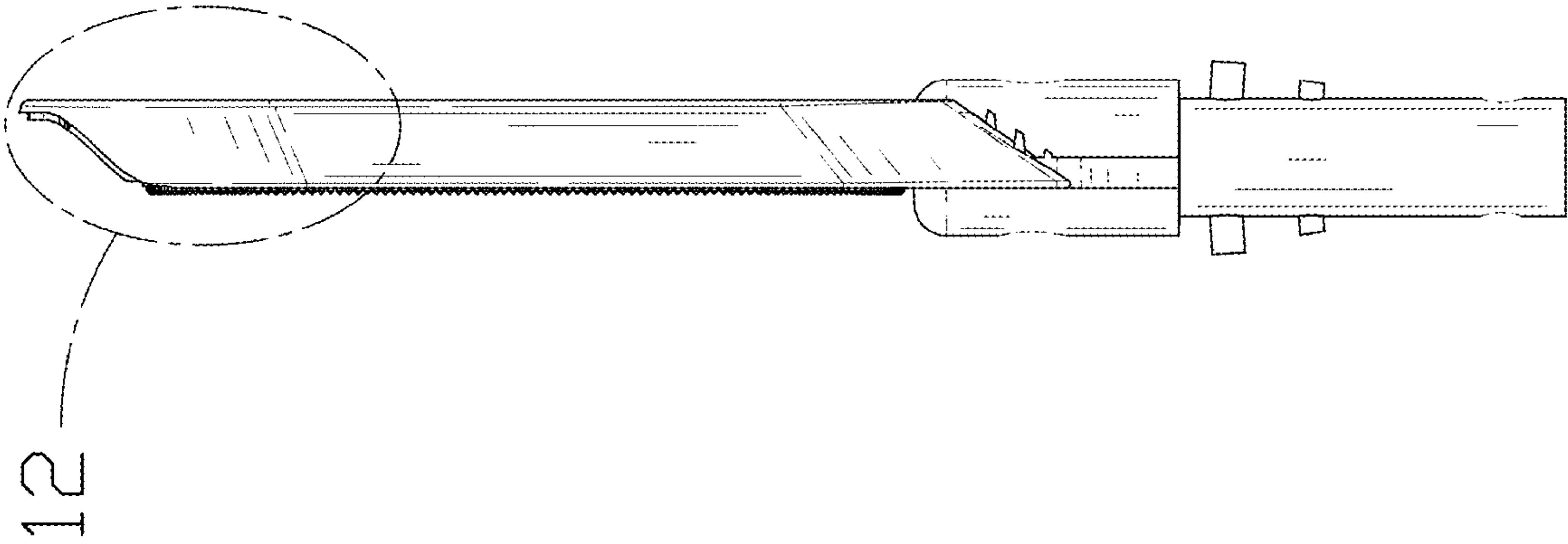


FIG. 5

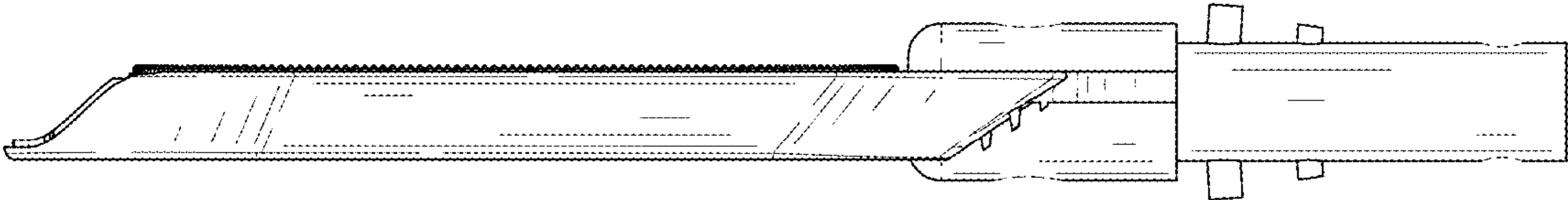


FIG. 6

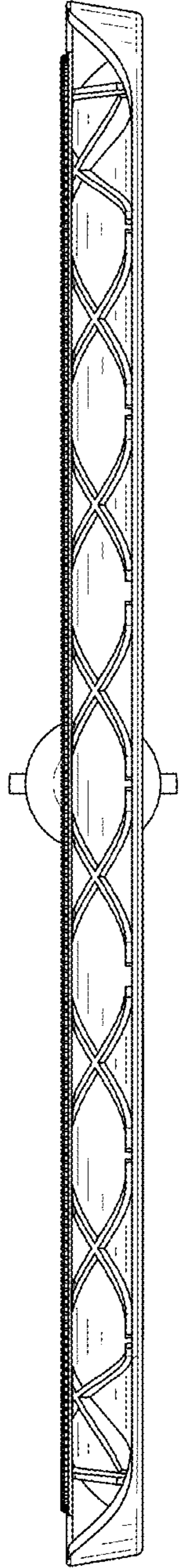


FIG. 7

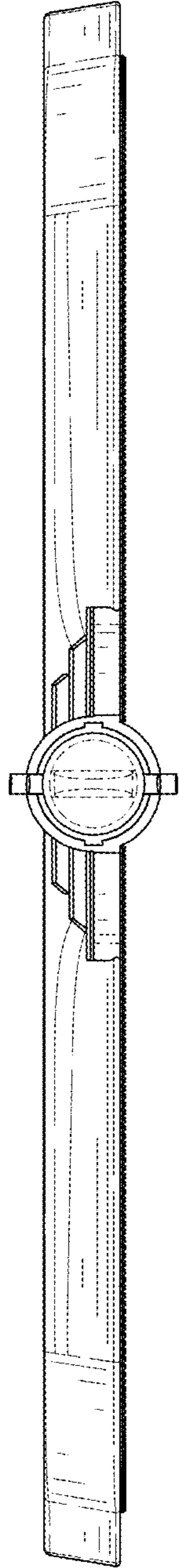


FIG. 8

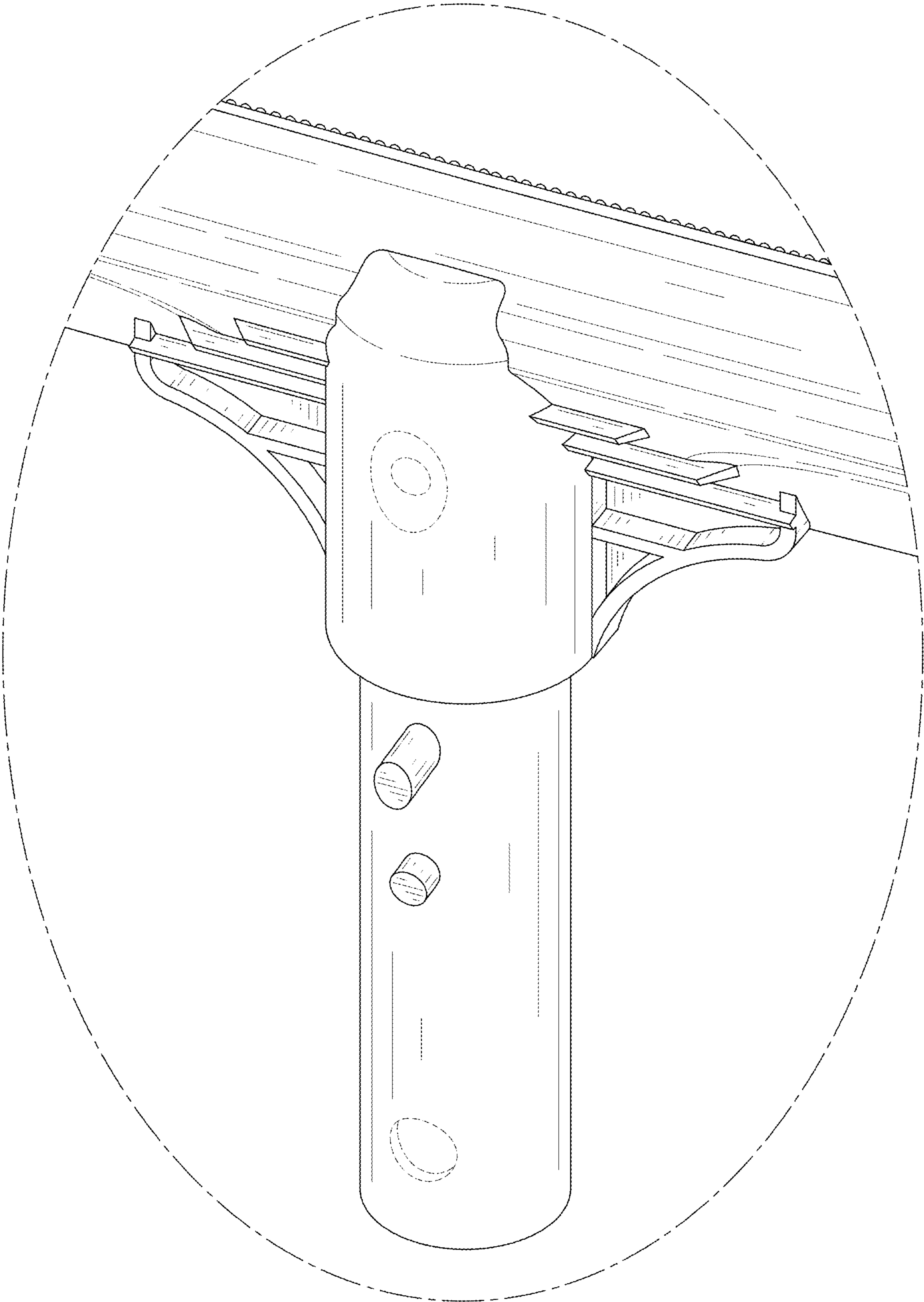


FIG. 9

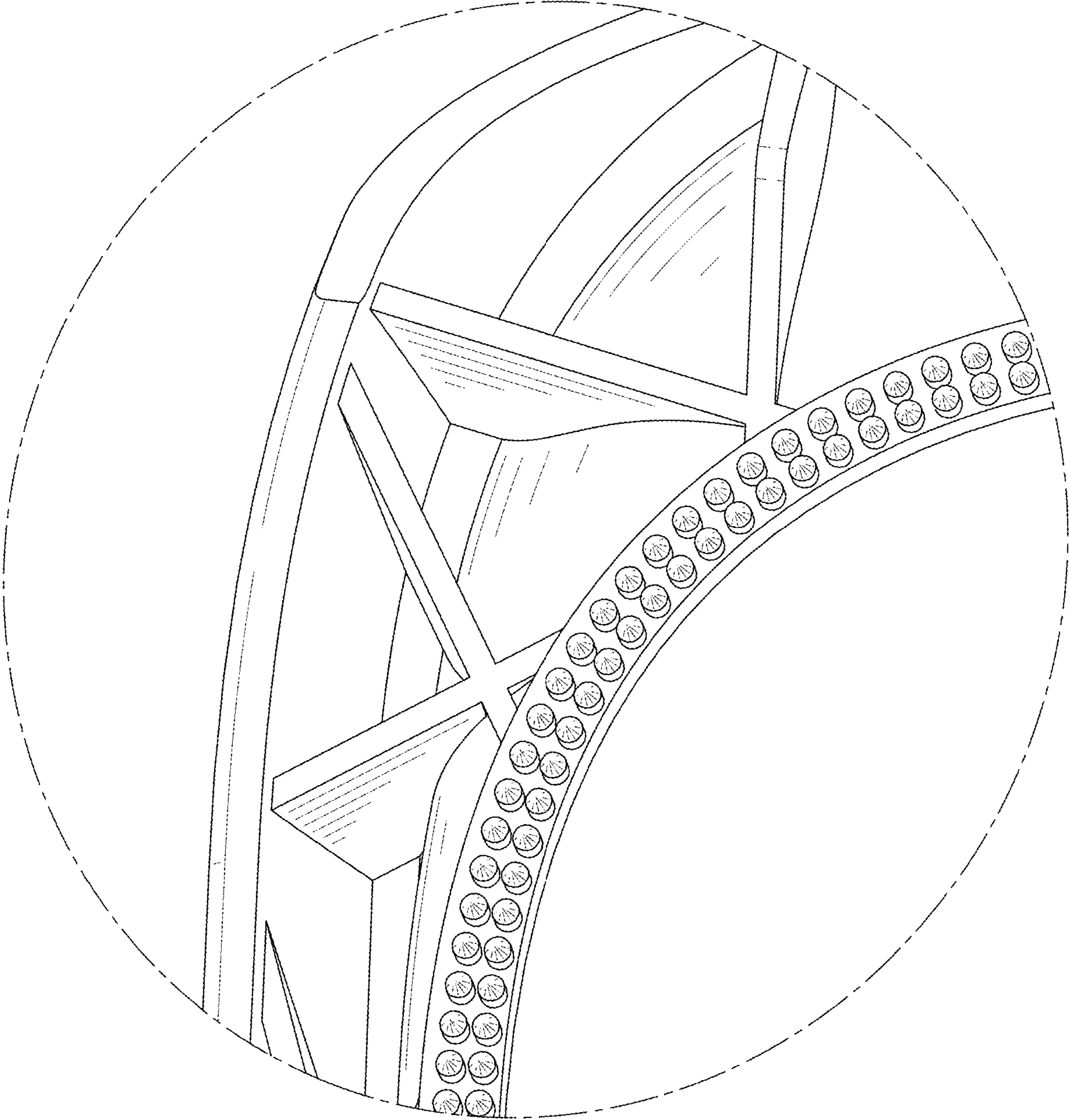


FIG. 10

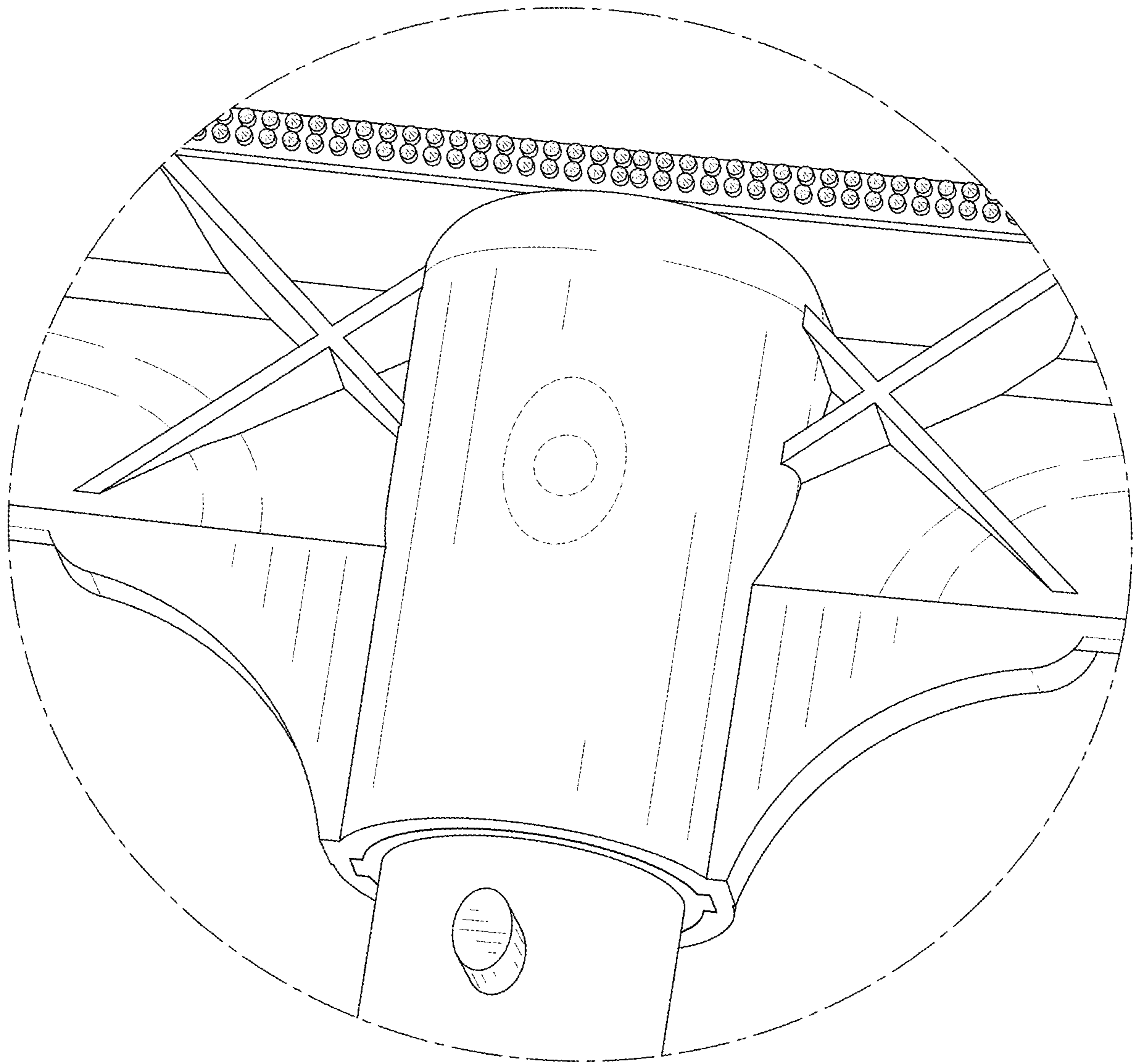


FIG. 11

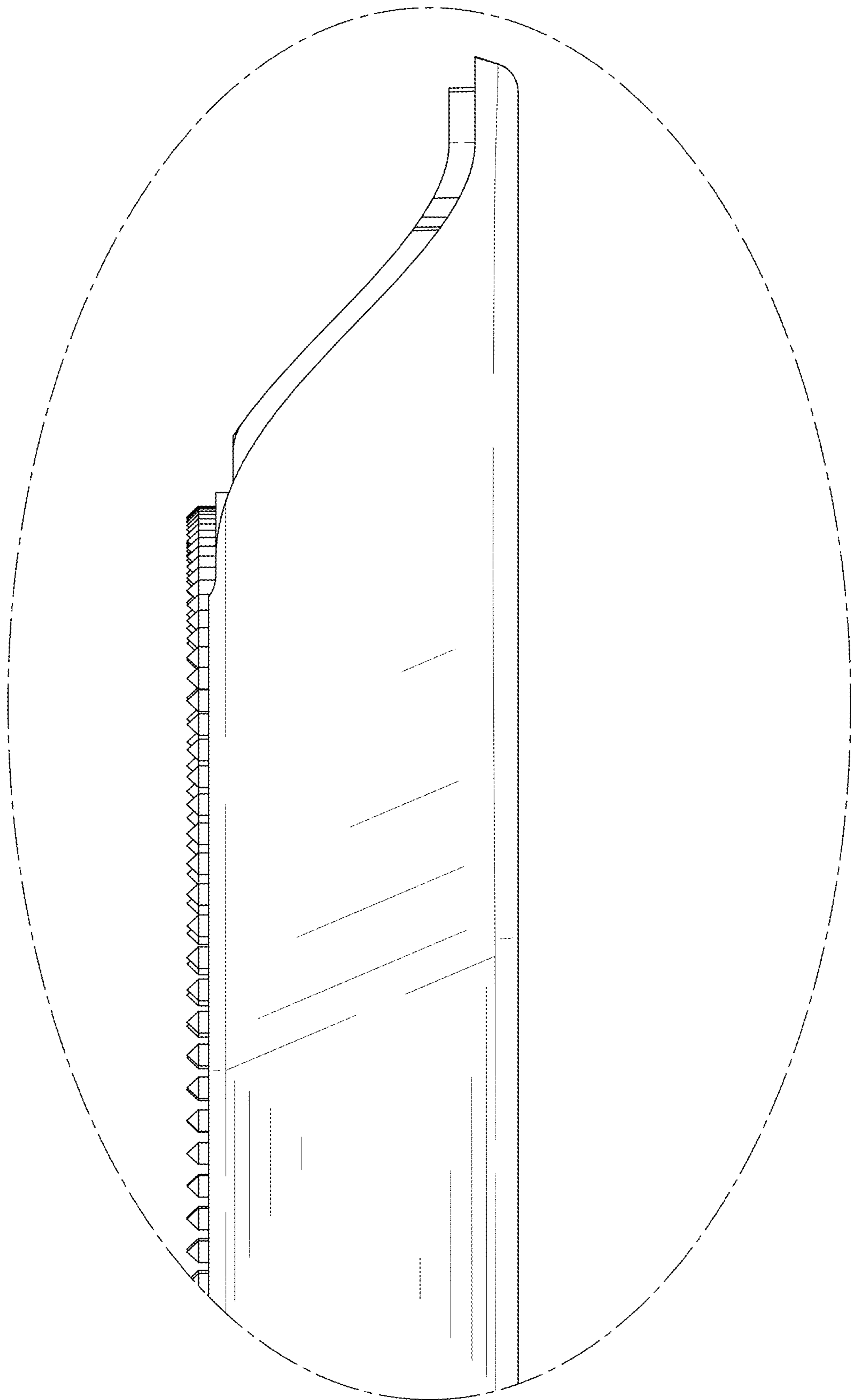


FIG. 12