



US00D980564S

(12) **United States Design Patent**
Zhu

(10) **Patent No.:** **US D980,564 S**
(45) **Date of Patent:** **** Mar. 7, 2023**

(54) **DUST BAG**

(71) Applicant: **Suzhou HIFINE Environment Protection Technology Co., Ltd.**, Suzhou (CN)

(72) Inventor: **Zhengfang Zhu**, Suzhou (CN)

(73) Assignee: **Suzhou HIFINE Environment Protection Technology Co., Ltd.**, Suzhou (CN)

(**) Term: **15 Years**

(21) Appl. No.: **29/853,312**

(22) Filed: **Sep. 14, 2022**

(51) **LOC (14) Cl.** **15-05**

(52) **U.S. Cl.**
USPC **D32/31**

(58) **Field of Classification Search**
USPC D32/15-25, 30-34
CPC ... A47L 9/10; A47L 9/102; A47L 9/12; A47L 9/122; A47L 9/14; A47L 9/1409; A47L 9/1418; A47L 9/1427; A47L 9/1436; A47L 9/1445; A47L 9/1454
See application file for complete search history.

(56) **References Cited**

U.S. PATENT DOCUMENTS

- 2,864,462 A * 12/1958 Brace A47L 9/1445 55/367
- 5,472,460 A * 12/1995 Schmierer A47L 9/1427 55/377
- 5,725,620 A * 3/1998 Perea B01D 46/02 55/369
- D559,483 S * 1/2008 Matter D32/31
- D617,064 S 6/2010 Hengvoss et al.
- 7,799,107 B2 * 9/2010 Corney A47L 9/1445 55/377
- 7,979,956 B2 * 7/2011 Matter A47L 9/1436 55/377

- D654,234 S * 2/2012 Hein D32/30
- 10,842,334 B2 * 11/2020 Wolff A47L 9/1418
- 10,952,581 B2 * 3/2021 Werius A47L 9/1436
- 10,986,969 B2 * 4/2021 Werius A47L 9/1427
- 11,006,797 B1 * 5/2021 Cho A47L 9/00
- 11,452,418 B2 * 9/2022 Na A47L 9/1472
- 2022/0313041 A1 * 10/2022 Zhong A47L 9/1463

FOREIGN PATENT DOCUMENTS

CN 307256881 * 4/2022

OTHER PUBLICATIONS

Filter Dust Bag For Irobots Roombas (on-line), no date available. Retrieved from Internet Dec. 22, 2022, URL: https://www.alibaba.com/product-detail/Avoid-Patents-Sweeper-Robot-Vacuum-Cleaner_1600509371475.html (1 page).*

* cited by examiner

Primary Examiner — Kimberly Barnes

(74) *Attorney, Agent, or Firm* — Nitin Kaushik

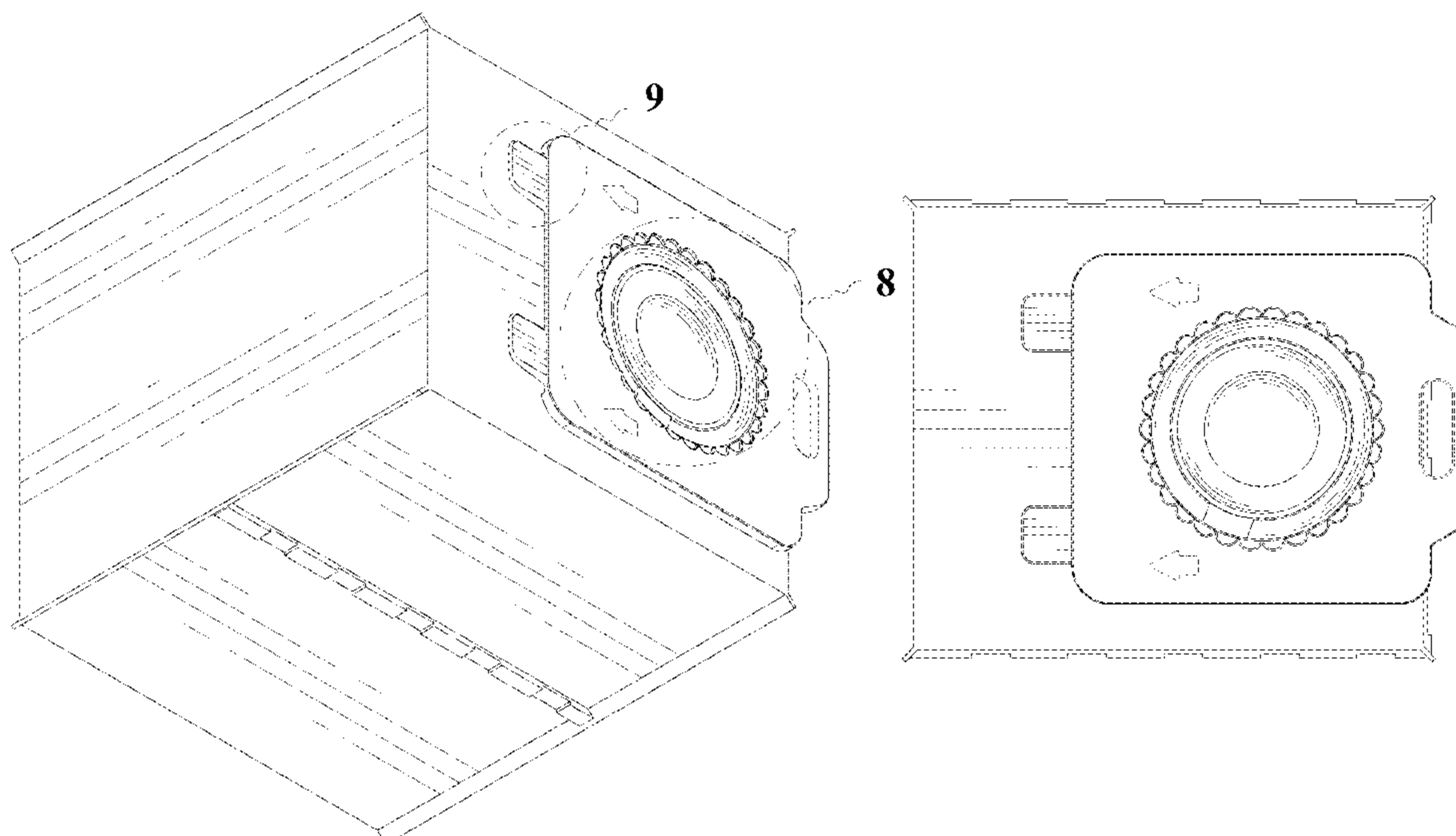
(57) **CLAIM**

The ornamental design for a dust bag, as shown and described.

DESCRIPTION

FIG. 1 is a rear perspective view of a dust bag, showing my new design;
FIG. 2 is a front view thereof;
FIG. 3 is rear view thereof;
FIG. 4 is a left side view thereof;
FIG. 5 is a right side view thereof;
FIG. 6 is a top thereof;
FIG. 7 is a bottom view thereof;
FIG. 8 is a partial enlarged view of FIG. 1; and,
FIG. 9 is a partial enlarged view of FIG. 1.
The broken lines in the drawings illustrate the portions of the dust bag, which form no part of the claimed design.

1 Claim, 9 Drawing Sheets



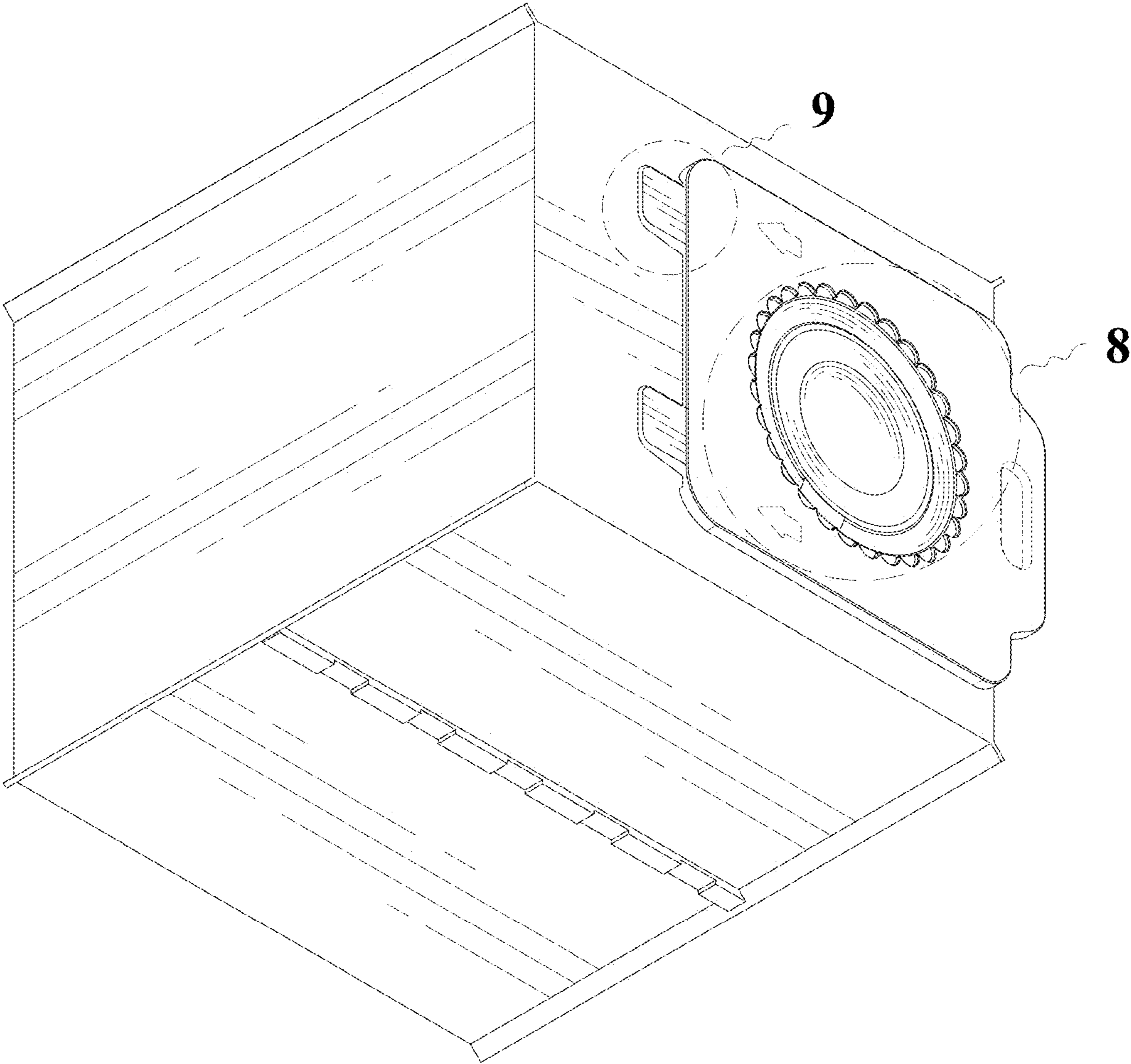


FIG. 1

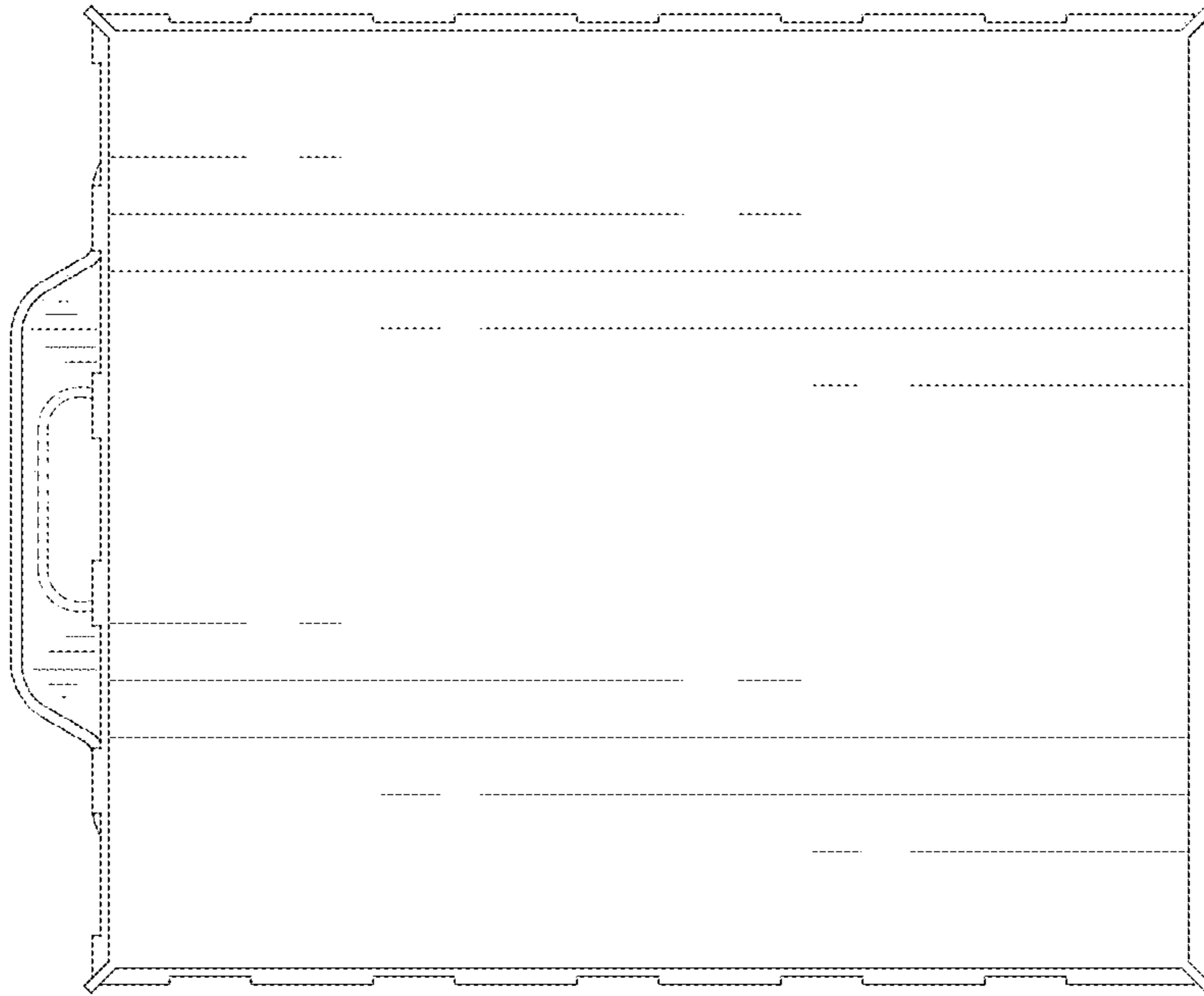


FIG. 2

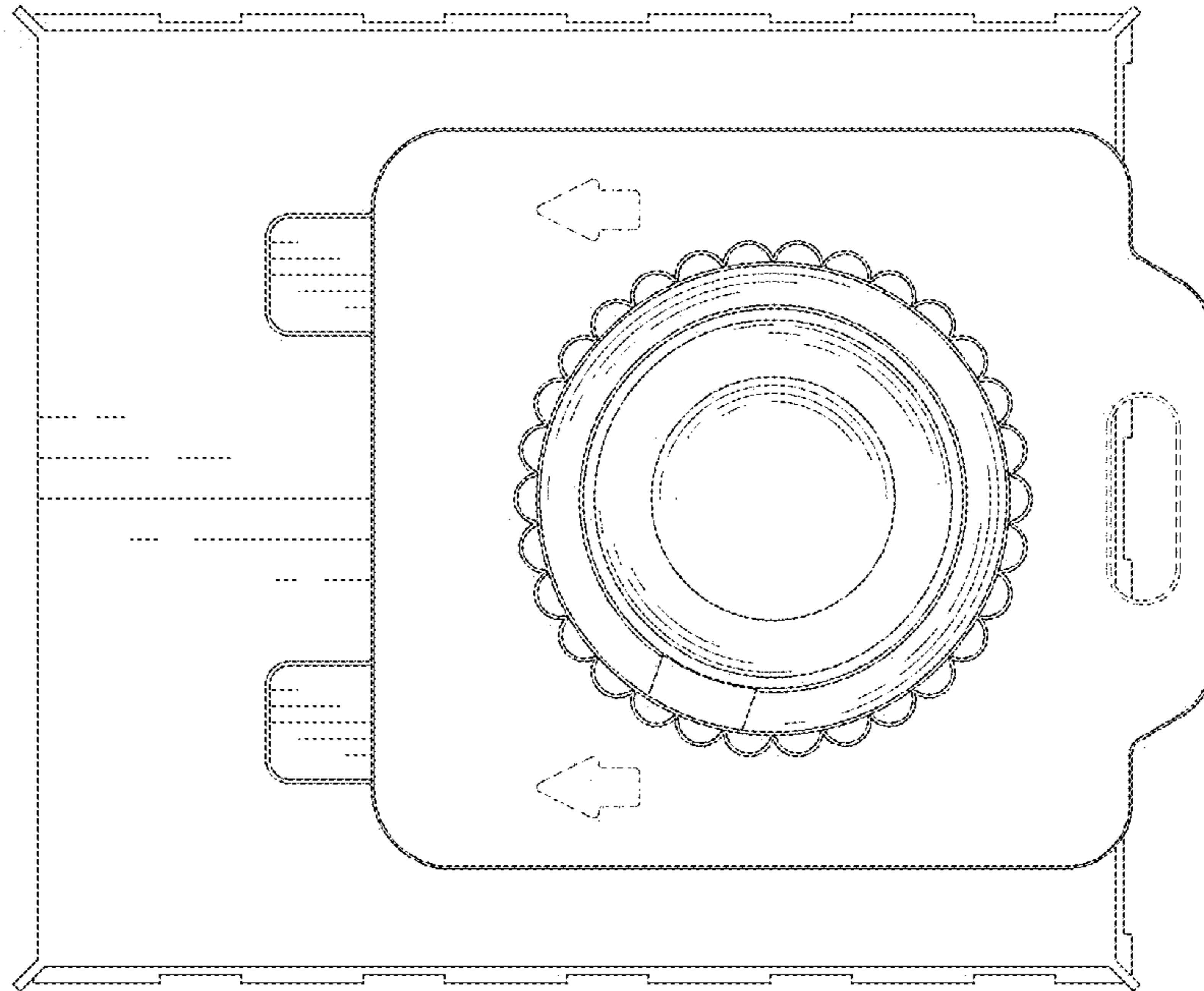


FIG. 3

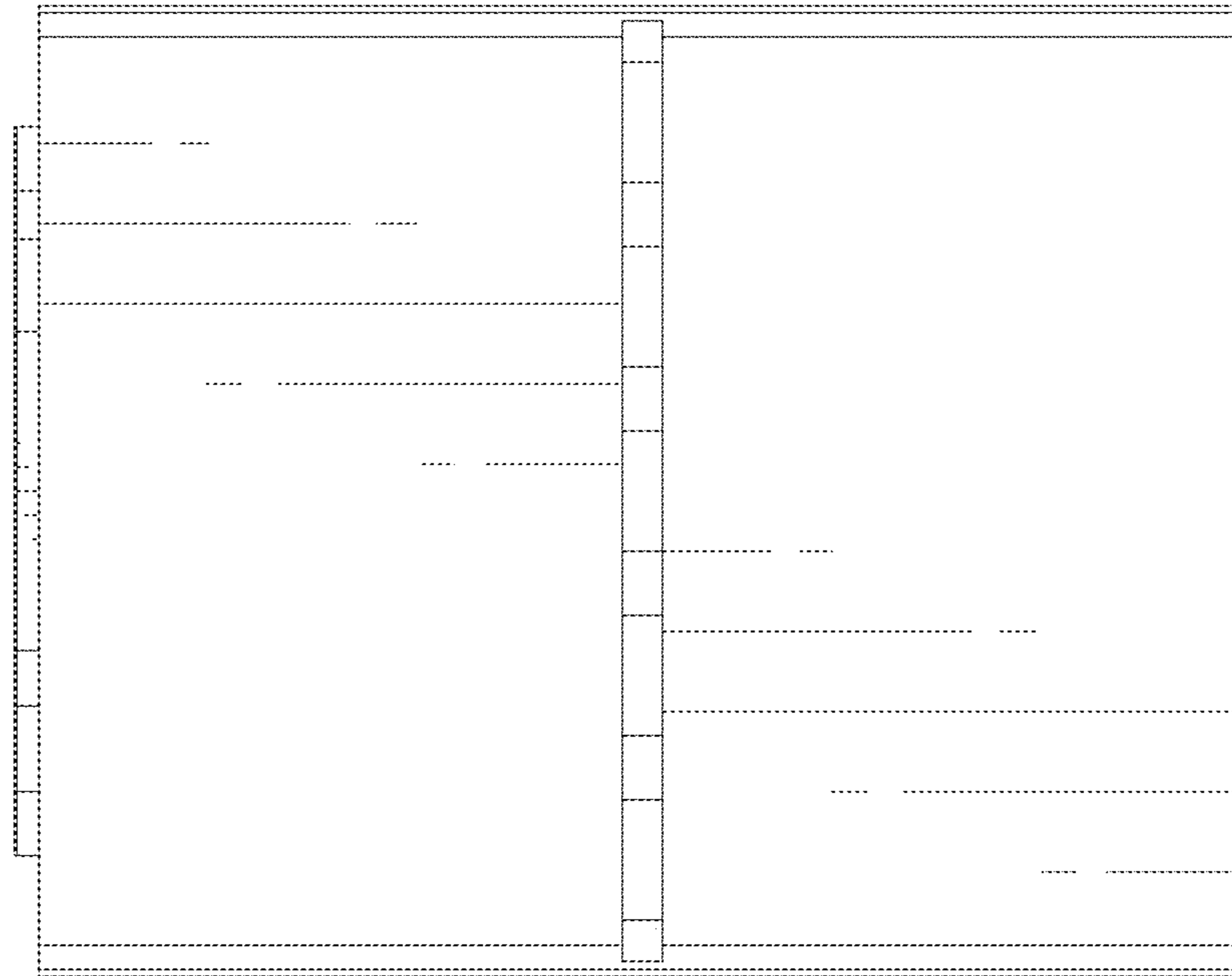


FIG. 4

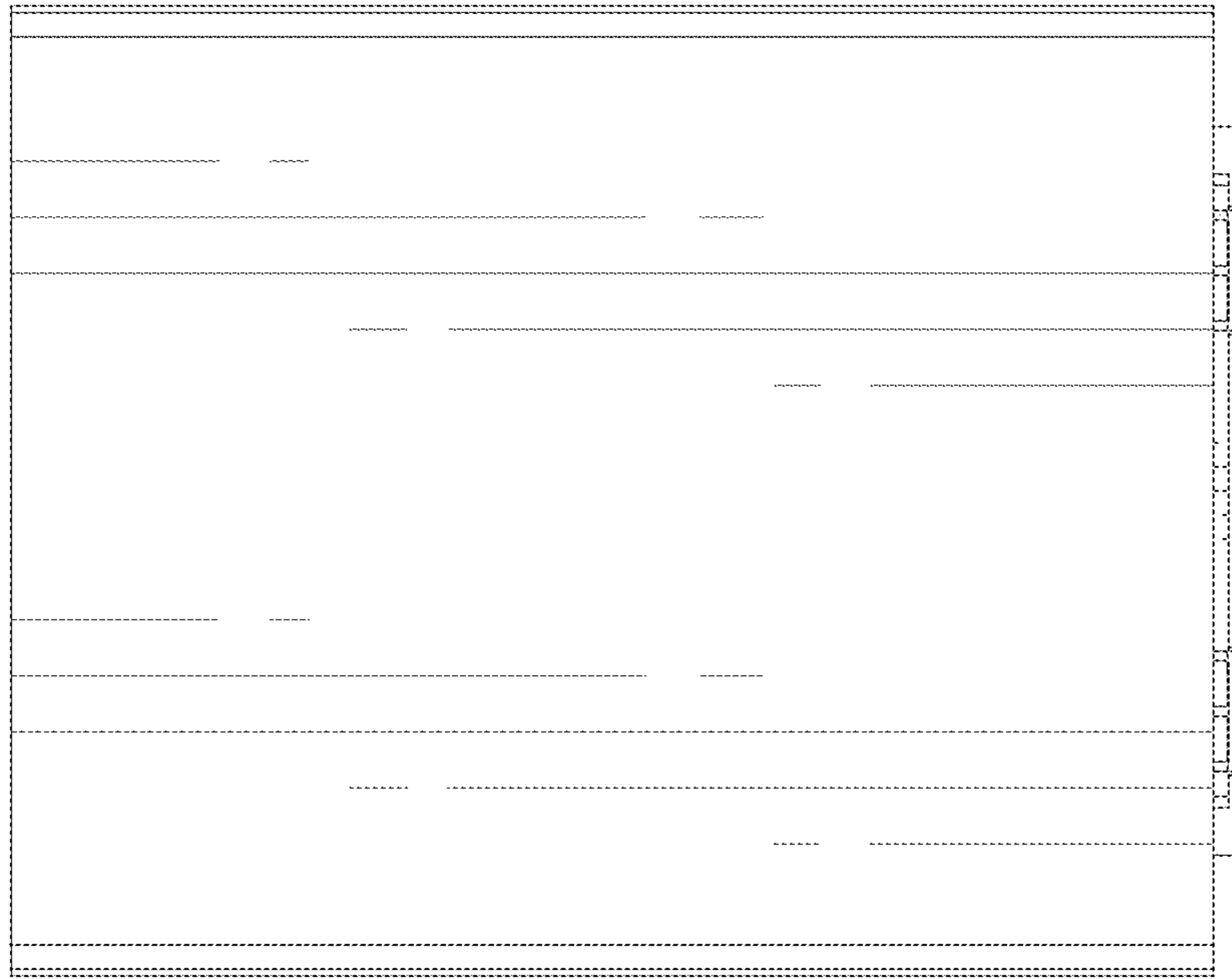


FIG. 5

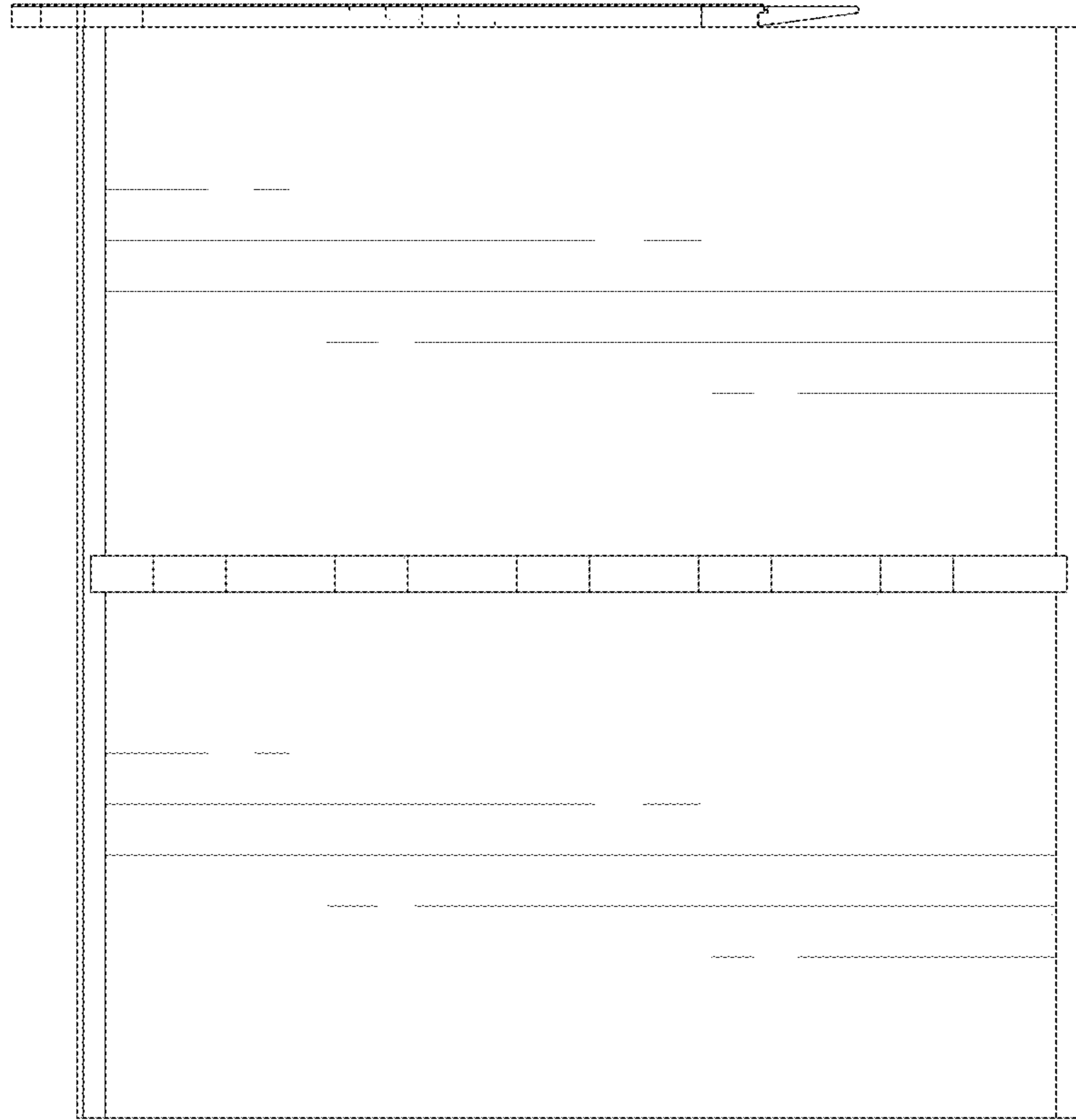


FIG. 6

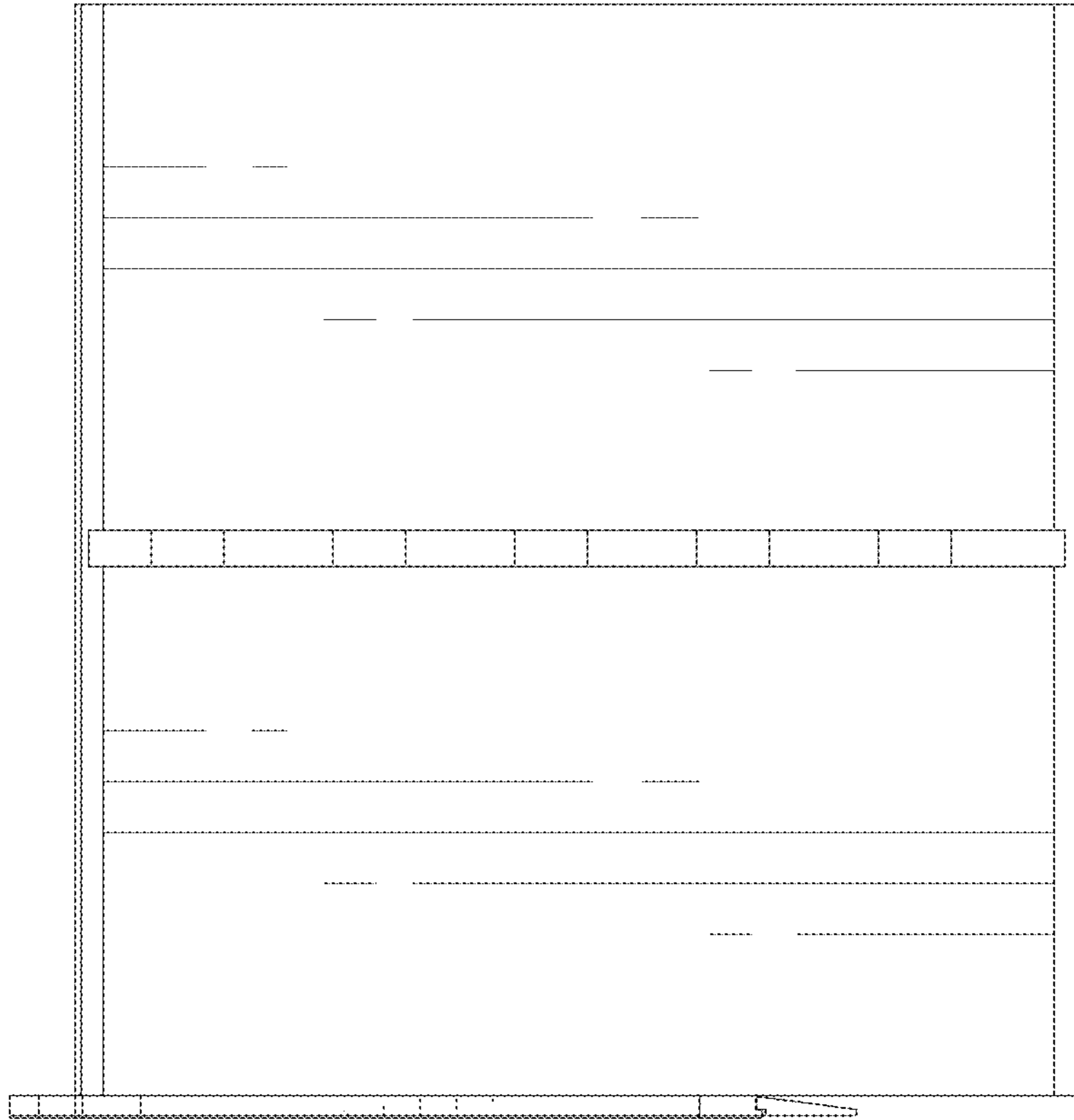


FIG. 7

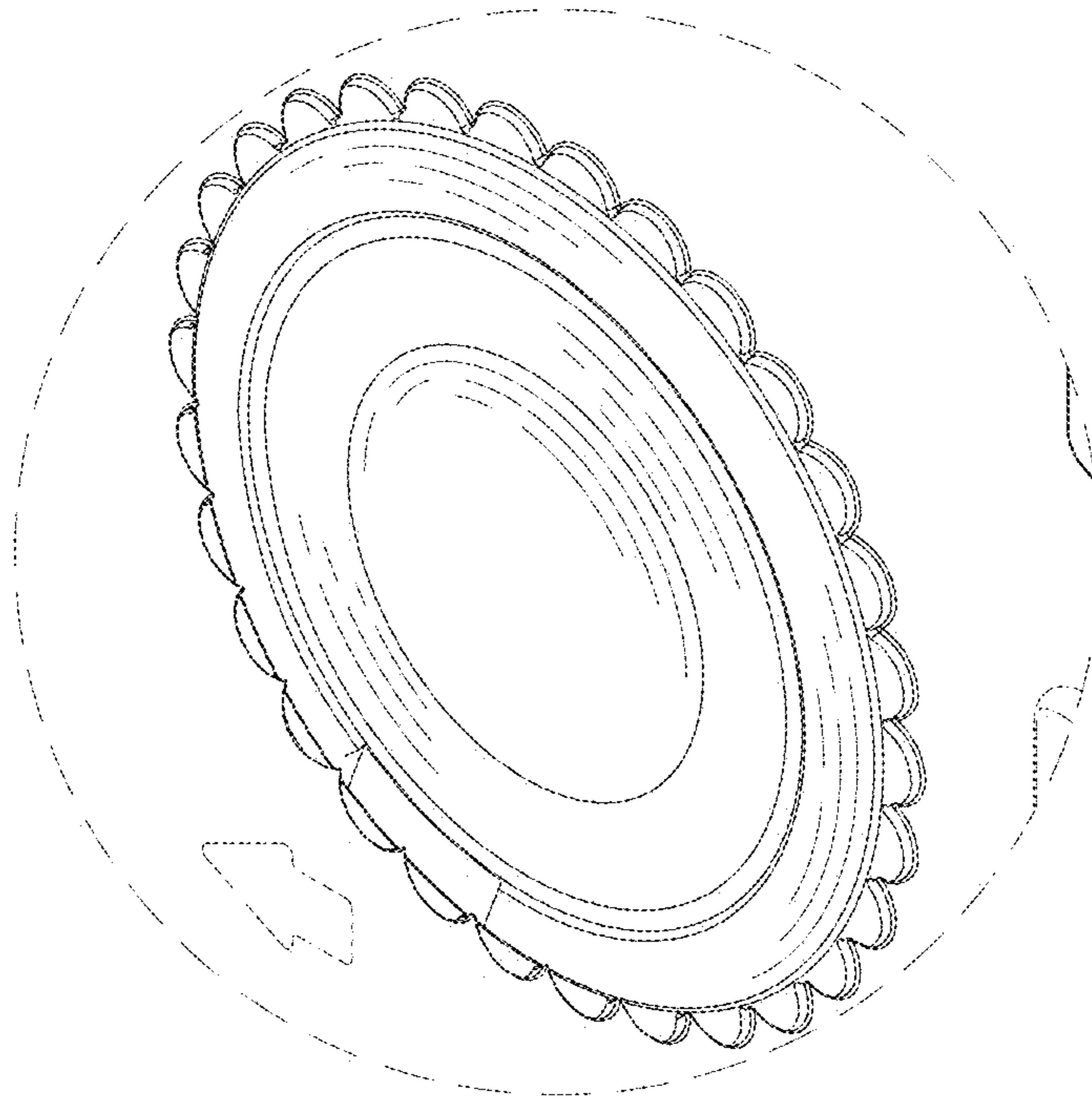


FIG. 8

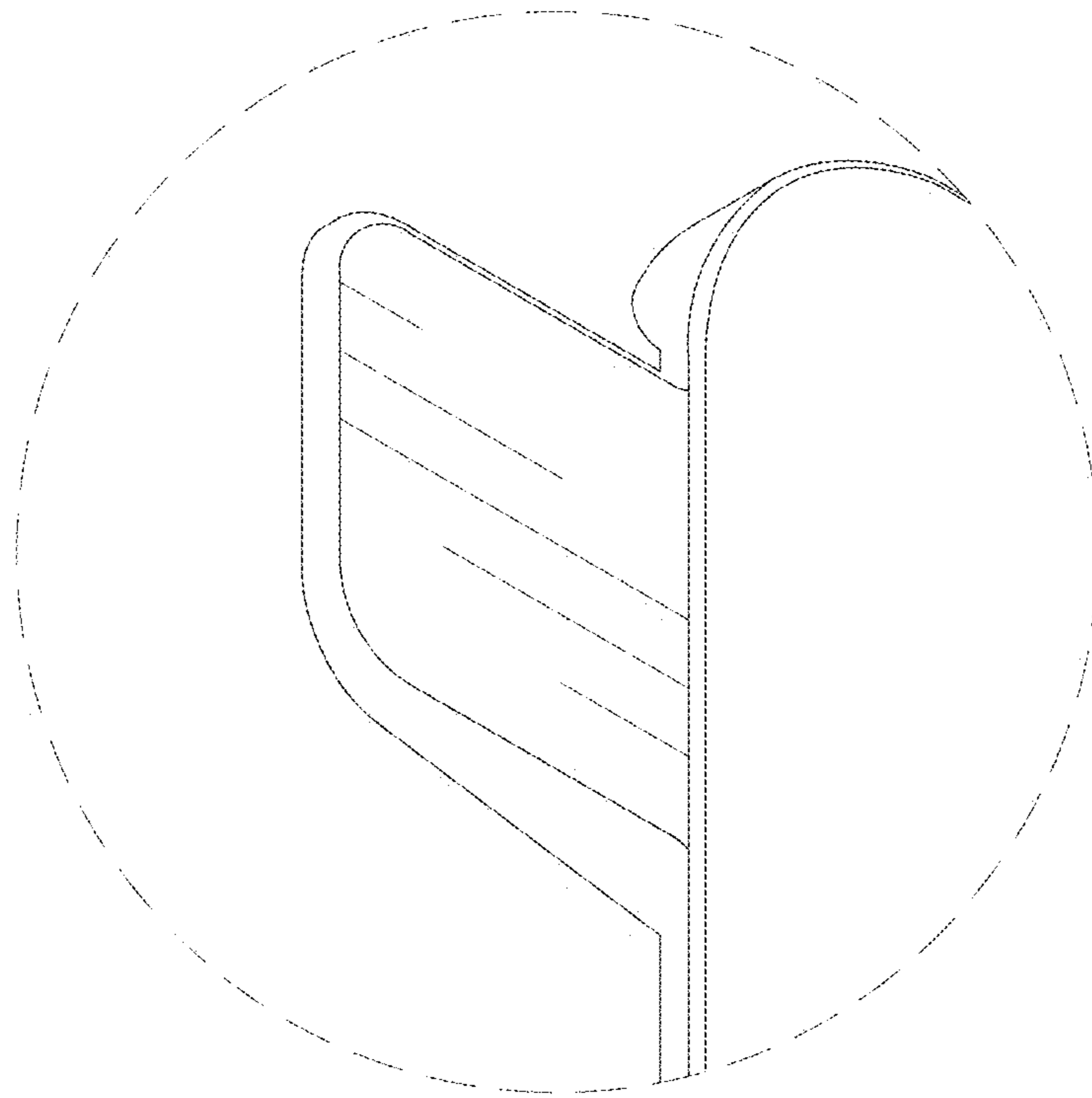


FIG. 9