



US00D980563S

(12) **United States Design Patent**
Hu

(10) **Patent No.:** **US D980,563 S**
(45) **Date of Patent:** **** Mar. 7, 2023**

- (54) **CONNECTION PLATE FOR A DUST BAG**
- (71) Applicant: **Shenzhen Xincheng Innovation Technology Co., Ltd., Shenzhen (CN)**
- (72) Inventor: **Yuting Hu, Shenzhen (CN)**
- (73) Assignee: **Shenzhen Xincheng Innovation Technology Co., Ltd., Shenzhen (CN)**
- (**) Term: **15 Years**
- (21) Appl. No.: **29/850,143**
- (22) Filed: **Aug. 17, 2022**
- (51) **LOC (14) Cl.** **15-05**
- (52) **U.S. Cl.**
USPC **D32/31**
- (58) **Field of Classification Search**
USPC D32/15-25, 30-34
CPC ... A47L 9/10; A47L 9/102; A47L 9/12; A47L 9/122; A47L 9/14; A47L 9/1409; A47L 9/1418; A47L 9/1427; A47L 9/1436; A47L 9/1445; A47L 9/1454; B01D 46/02; B01D 46/04
See application file for complete search history.

10,842,334	B2 *	11/2020	Wolff	A47L 9/1418
10,952,581	B2 *	3/2021	Warius	A47L 9/1436
10,986,969	B2 *	4/2021	Warius	A47L 9/1427
11,006,797	B1 *	5/2021	Cho	A47L 9/00
11,452,418	B2 *	9/2022	Na	A47L 9/1472
2022/0313041	A1 *	10/2022	Zhong	A47L 9/1463
2023/0010550	A1 *	1/2023	Wolff	B01D 46/0005

OTHER PUBLICATIONS

Dust Filter Bag for iRobot Roomba i7 (on-line), dated Dec. 3, 2020. Retrieved from Internet Dec. 22, 2022, URL: <https://www.chinavasion.com/china/wholesale/home-garden/electrical/cleaning-supply/dust-filter-bag-for%E2%80%A6> (1 page) (Year: 2020).*

* cited by examiner

Primary Examiner — Kimberly Barnes

(74) *Attorney, Agent, or Firm* — Nitin Kaushik

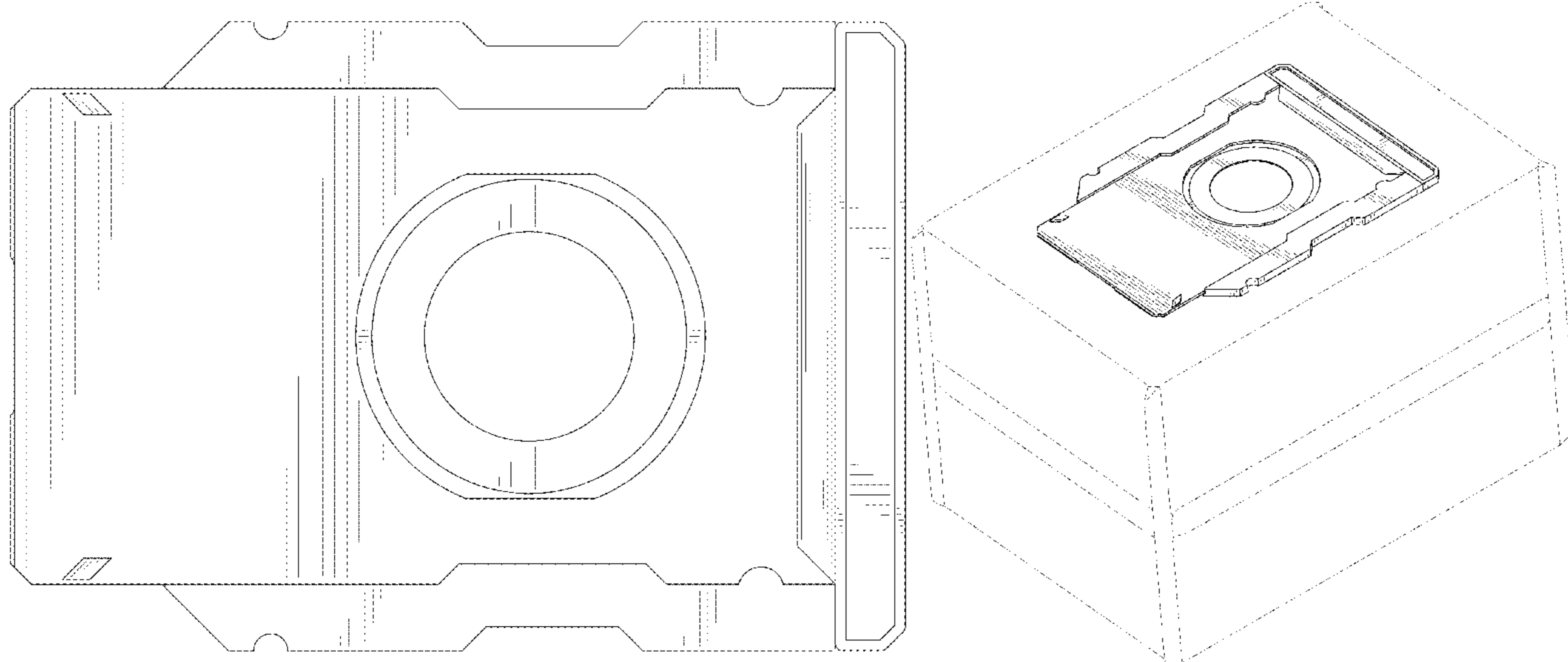
(57) **CLAIM**

The ornamental design for a connection plate for a dust bag, as shown and described.

DESCRIPTION

FIG. 1 is a top perspective view of a connection plate for a dust bag, showing my new design;
FIG. 2 is a bottom perspective view thereof;
FIG. 3 is a front view thereof;
FIG. 4 is a rear view thereof;
FIG. 5 is a left side view thereof;
FIG. 6 is a right side view thereof;
FIG. 7 is a top view thereof;
FIG. 8 is a bottom view thereof; and,
FIG. 9 is another top perspective view of the connection plate for a dust bag, shown in a state of use.
The broken lines in FIG. 9 depicting a dust bag represents environmental subject matter that forms no part of the claimed design.

1 Claim, 9 Drawing Sheets



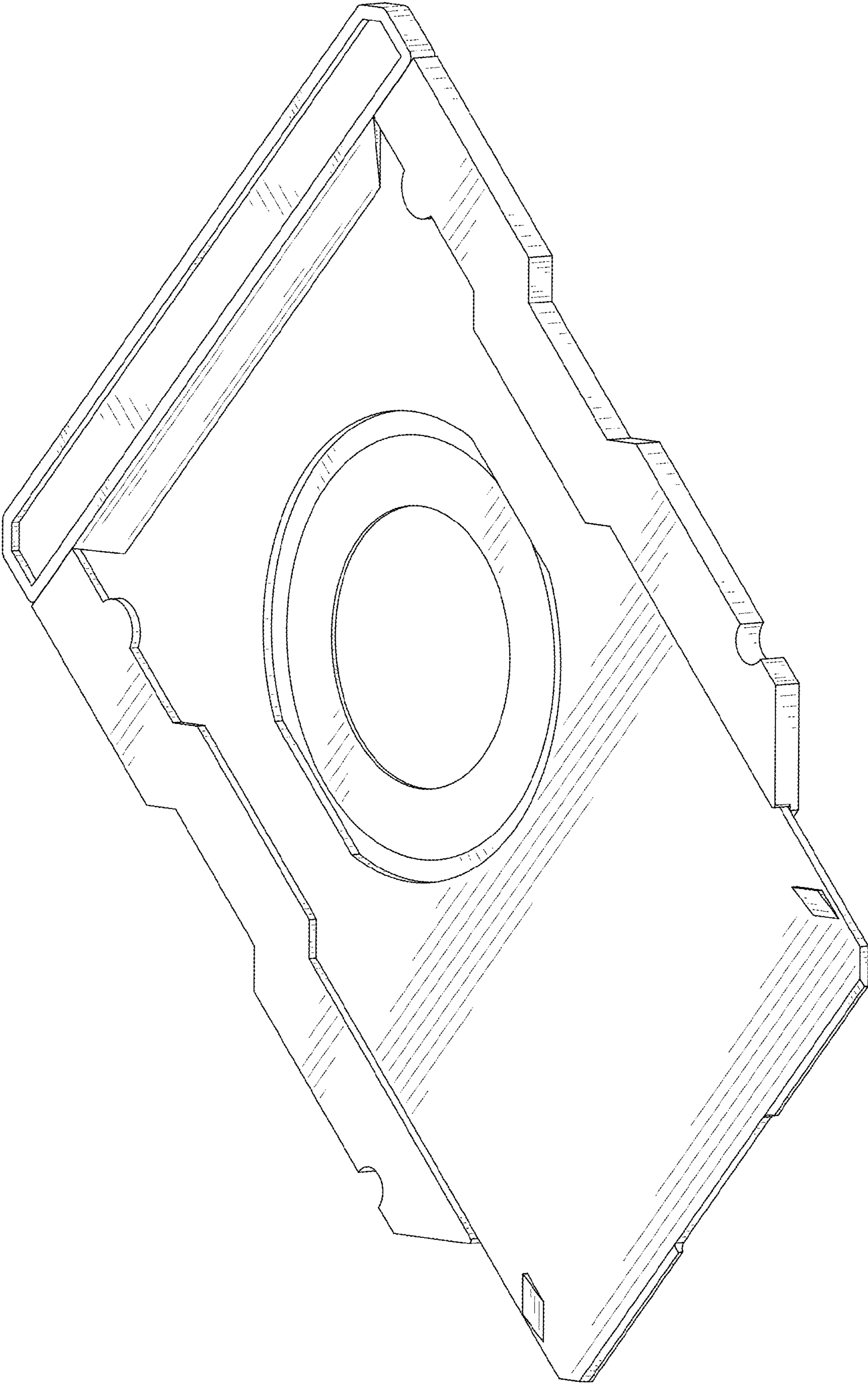


FIG. 1

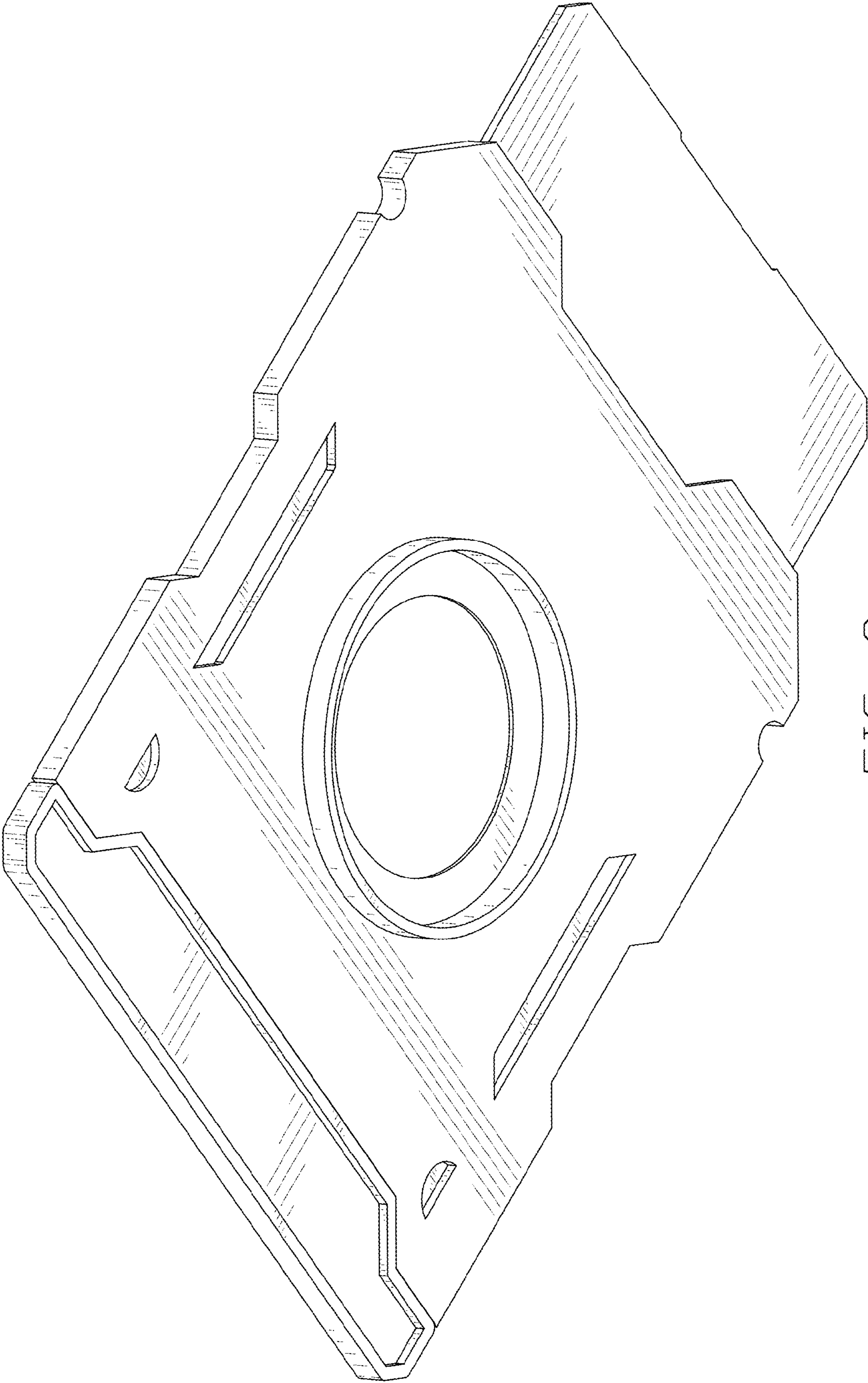


FIG. 2

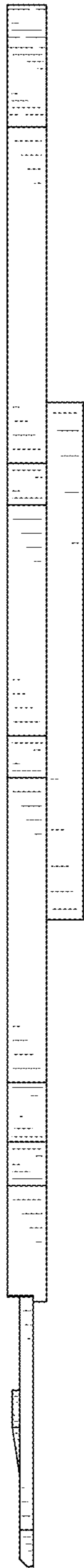


FIG. 3

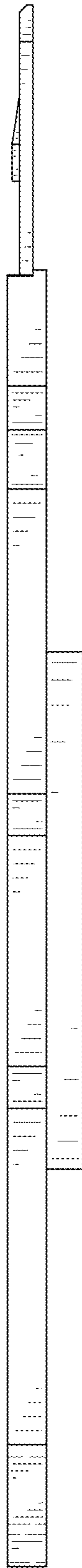


FIG. 4



FIG. 5

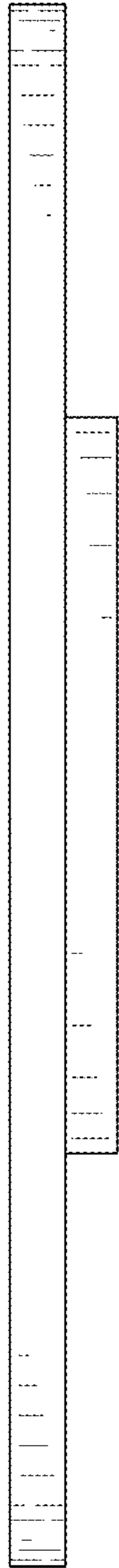


FIG. 6

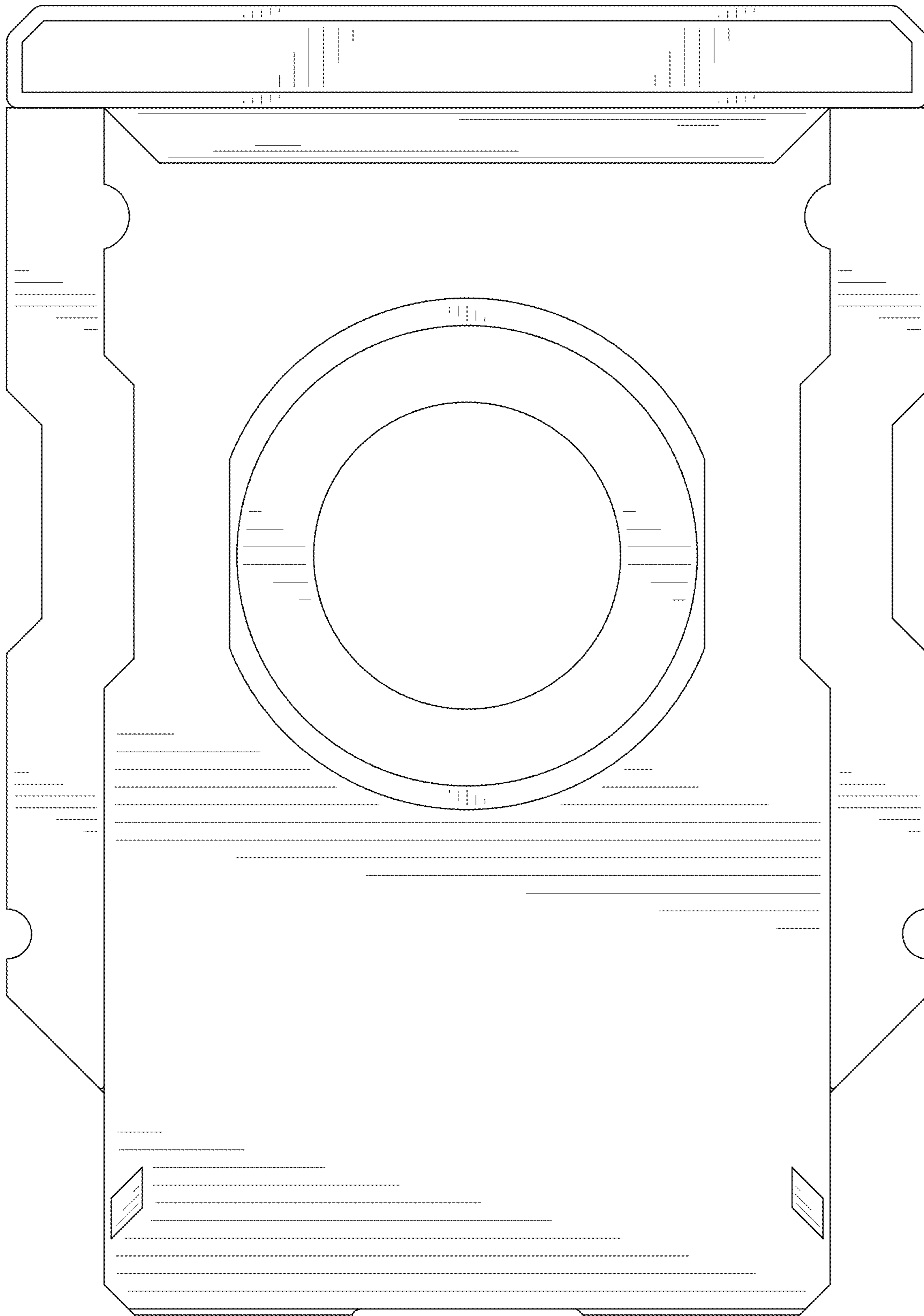


FIG. 7

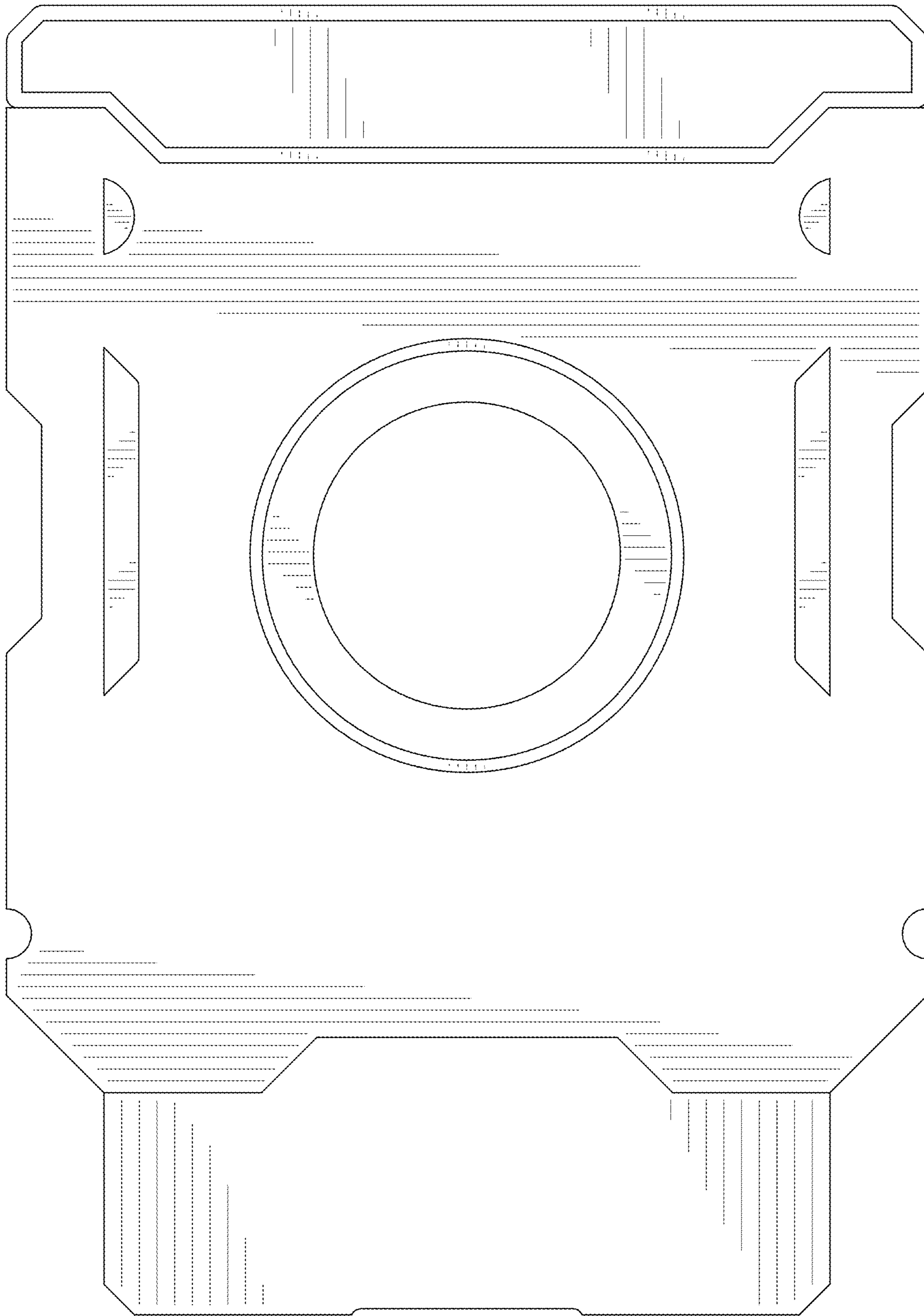


FIG. 8

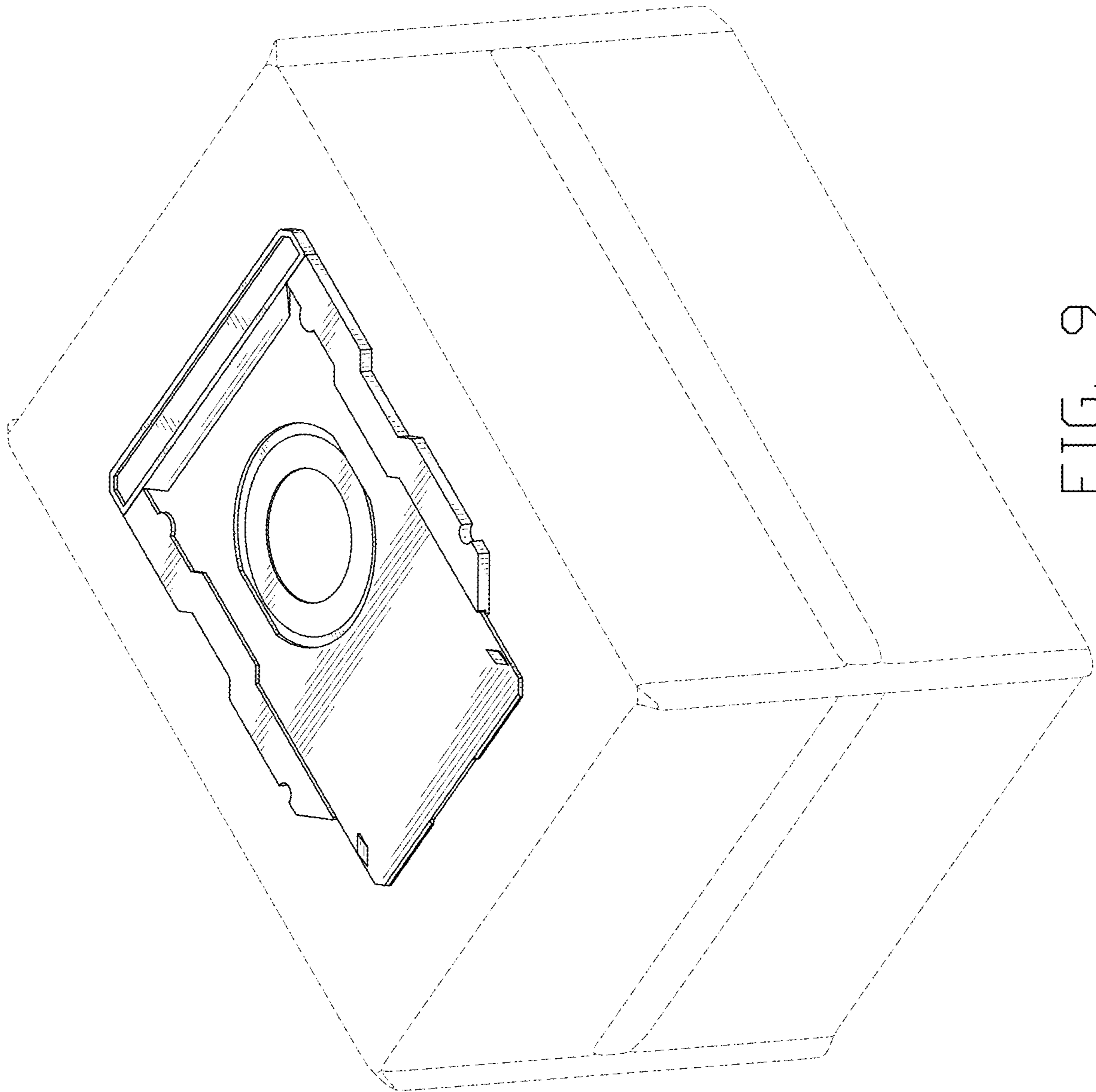


FIG. 9