



US00D980562S

(12) **United States Design Patent**  
**Aneja**

(10) **Patent No.:** **US D980,562 S**  
(45) **Date of Patent:** **\*\* Mar. 7, 2023**

(54) **RECEPTACLE SUPPORT**

(71) Applicant: **Neil Aneja**, Roanoke, VA (US)

(72) Inventor: **Neil Aneja**, Roanoke, VA (US)

(73) Assignee: **Neil Aneja**, Roanoke, VA (US)

(\*\*) Term: **15 Years**

(21) Appl. No.: **29/815,078**

(22) Filed: **Nov. 11, 2021**

(51) **LOC (14) Cl.** ..... **15-05**

(52) **U.S. Cl.**

USPC ..... **D32/25**; D9/455

(58) **Field of Classification Search**

USPC ..... D6/512, 513, 524, 535, 536, 546, 553,  
D6/556, 567, 574; D8/349, 354, 356,  
D8/373, 380; D9/435, 443, 455;  
D32/29.1, 53, 54, 25; D12/411, 415;  
D24/224, 227; D7/619.1, 620, 397;  
D3/313

CPC ..... A47K 5/02; B65D 25/22; B65D 69/00;  
A47G 23/0225; B67D 1/16

See application file for complete search history.

(56) **References Cited**

**U.S. PATENT DOCUMENTS**

|           |     |         |              |            |
|-----------|-----|---------|--------------|------------|
| 555,820   | A   | 3/1896  | Kaup         |            |
| 1,017,756 | A   | 2/1912  | Head         |            |
| 1,061,099 | A   | 5/1913  | Miller       |            |
| 1,520,511 | A   | 11/1923 | Reymore      |            |
| 1,703,284 | A   | 4/1928  | Wolfe        |            |
| D136,004  | S * | 7/1943  | Allred       | D8/373     |
| D157,147  | S * | 2/1950  | Hallenscheid | D6/535     |
| 2,628,054 | A * | 2/1953  | Fazakerley   | B60N 3/103 |
|           |     |         |              | 211/74     |
| D191,444  | S * | 10/1961 | Schwartz     | D7/620     |
| D206,494  | S * | 12/1966 | Watts        | D9/415     |
| D286,507  | S * | 11/1986 | Drago        | D6/535     |
| D294,906  | S * | 3/1988  | Pool         | D6/531     |

(Continued)

**FOREIGN PATENT DOCUMENTS**

DE 422331 C 11/1925  
DE 202021103452 U1 9/2021

(Continued)

**OTHER PUBLICATIONS**

Laundry Detergent Drip Cathcher: Announced (Oct. 12, 2021; online). Site Visited (Nov. 1, 2022). Available from URL: [https://www.amazon.com/Laundry-Detergent-Catcher-Prevent-Bottles/dp/B09J7XS7JL/ref=asc\\_df\\_B09J7XS7JL/?tag=hyprod-20&linkCode=df0&hvadid=563722789915&hvpos=&hvnetw=g&hvrnd=3278187018671003420&hvpon=&hvptwo=&hvqmt=&hvdev=c&hvdvcmdl=&hvlocint=&hvlocphy=9008192&hvtargid=pla-1637359882933&pssc=1.\\*](https://www.amazon.com/Laundry-Detergent-Catcher-Prevent-Bottles/dp/B09J7XS7JL/ref=asc_df_B09J7XS7JL/?tag=hyprod-20&linkCode=df0&hvadid=563722789915&hvpos=&hvnetw=g&hvrnd=3278187018671003420&hvpon=&hvptwo=&hvqmt=&hvdev=c&hvdvcmdl=&hvlocint=&hvlocphy=9008192&hvtargid=pla-1637359882933&pssc=1.*)

(Continued)

*Primary Examiner* — Catherine S Posthauer

(74) *Attorney, Agent, or Firm* — Dickinson Wright PLLC

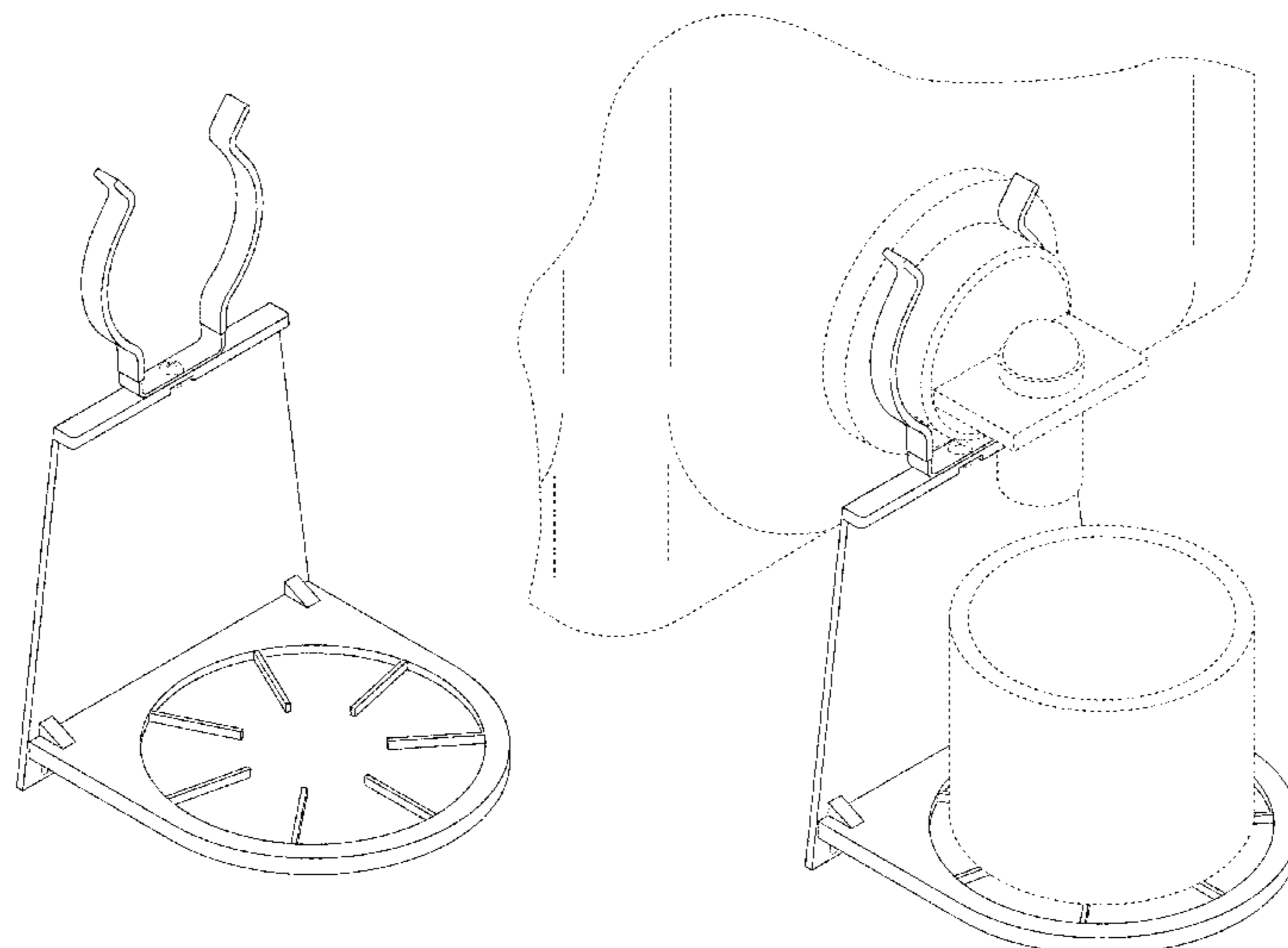
(57) **CLAIM**

The ornamental design for a receptacle support, as shown and described.

**DESCRIPTION**

FIG. 1 is a top, right side perspective view of a receptacle support, showing my new design;  
FIG. 2 is a top view of the receptacle support;  
FIG. 3 is a bottom view of the receptacle support;  
FIG. 4 is a right side view of the receptacle support;  
FIG. 5 is a left side view of the receptacle support;  
FIG. 6 is a front view of the receptacle support;  
FIG. 7 is a rear view of the receptacle support; and,  
FIG. 8 is a top, right side perspective view of the receptacle support, shown in a position of use with an exemplary laundry detergent dispenser and exemplary laundry cup.  
The broken lines are shown for the purpose of illustrating both parts of the article as well as exemplary environmental subject matter. None of the broken lines form part of the claimed design.

**1 Claim, 5 Drawing Sheets**



(56)

References Cited

U.S. PATENT DOCUMENTS

4,828,211 A \* 5/1989 McConnell ..... B60N 3/102  
248/316.4  
D303,335 S \* 9/1989 Seifried ..... D7/620  
4,872,631 A \* 10/1989 Rutigliano ..... A47G 23/0225  
99/425  
4,993,611 A \* 2/1991 Longo ..... A45F 5/00  
D3/229  
D325,564 S \* 4/1992 Lemke ..... D13/154  
D329,358 S \* 9/1992 Espinosa, Jr. .... D7/620  
D336,482 S \* 6/1993 Graham ..... D8/380  
D355,337 S \* 2/1995 Eisenbraun ..... D7/620  
D359,643 S \* 6/1995 Langmade ..... D6/556  
D374,739 S \* 10/1996 Blanton ..... D8/395  
6,164,347 A 12/2000 Dahlmann  
6,279,781 B1 8/2001 Konar  
6,968,979 B2 11/2005 Gribble et al.  
D570,162 S \* 6/2008 Blais ..... D7/620  
7,959,033 B2 6/2011 Leggett  
D657,922 S 4/2012 Wolke  
D662,417 S \* 6/2012 Reinhold ..... D9/434  
D728,262 S \* 5/2015 Lim ..... D8/373  
9,657,890 B2 5/2017 Botello et al.  
9,809,440 B2 11/2017 Kellerman  
D826,002 S \* 8/2018 Resteghini ..... D7/620  
10,165,883 B1 1/2019 Glendinning  
D846,369 S \* 4/2019 Ni ..... D8/354  
D873,647 S \* 1/2020 Malcolm ..... D8/349  
10,925,380 B1 2/2021 Nelson  
10,981,654 B2 4/2021 Slack, Jr.  
D938,235 S \* 12/2021 Feng ..... D7/620  
2006/0022106 A1 2/2006 Mackin  
2008/0245684 A1 \* 10/2008 Yeatman ..... B65D 25/22  
206/397  
2008/0290089 A1 \* 11/2008 Ciarrocchi, Jr. .... B65D 25/20  
220/630  
2014/0231608 A1 \* 8/2014 Fontaine ..... A47G 23/0225  
248/311.2

2014/0239134 A1 \* 8/2014 Webb ..... A47G 23/0225  
248/125.3  
2018/0216278 A1 8/2018 Cordova  
2018/0244357 A1 8/2018 Bouse  
2019/0261777 A1 8/2019 Lapiere  
2020/0268186 A1 8/2020 Huff et al.  
2021/0059448 A1 3/2021 Fan  
2021/0155376 A1 5/2021 Mittag

FOREIGN PATENT DOCUMENTS

KR 200476319 Y1 2/2015  
KR 200484515 Y1 9/2017

OTHER PUBLICATIONS

Laundry Detergent Cup Holder: Announced (Mar. 11, 2022; online). Site Visited (Nov. 1, 2022). Available from Internet URL: [https://www.amazon.com/Laundry-Detergent-Catcher-Organizer-Softener/dp/B09VCLYVDQ/ref=psdc\\_15342931\\_t3\\_B08V115Y6S](https://www.amazon.com/Laundry-Detergent-Catcher-Organizer-Softener/dp/B09VCLYVDQ/ref=psdc_15342931_t3_B08V115Y6S).  
BoomBa Universal Laundry Degergant and Fabric Softener Cup Holder, Laundry Soap Dispenser Drip Tray Catcher Gadget—No More Drips or Mess, [https://www.amazon.com/BoomBa-Universal-Degergant-Softener-Dispenser/dp/B08VDR3P5Y/ref=sr\\_1\\_12?dchild=1&keywords=laundry+detergent+measuring+cup&qid=1634830909&sr=8-12](https://www.amazon.com/BoomBa-Universal-Degergant-Softener-Dispenser/dp/B08VDR3P5Y/ref=sr_1_12?dchild=1&keywords=laundry+detergent+measuring+cup&qid=1634830909&sr=8-12), last visited Nov. 11, 2021.  
Fabric Softener or Laundry Detergent Cup Holder & Drip Tray Catcher for Most Economic Sized Bottles, No More Drips or Mess (Pack of 1), [https://www.amazon.com/Softener-Laundry-Detergent-Catcher-Economic/dp/B093VFPWS5/ref=psdc\\_13749761\\_t2\\_B08VDR3P5Y](https://www.amazon.com/Softener-Laundry-Detergent-Catcher-Economic/dp/B093VFPWS5/ref=psdc_13749761_t2_B08VDR3P5Y), last visited Nov. 11, 2021.  
Levoshua Laundry Detergent Cup Holder, Laundry Fabric Softener Soap Dispenser Drip Catcher, Firmly Clip on Laundry Bottle Spouts, Keep Washer, Dryer and Laundry Floor Clean and Organize, Pack of 2, [https://www.amazon.com/LEVOSHUA-Detergent-Softener-Dispenser-Organize/dp/B095LSCR66/ref=psdc\\_13749761\\_t1\\_B08VDR3P5Y?th=1](https://www.amazon.com/LEVOSHUA-Detergent-Softener-Dispenser-Organize/dp/B095LSCR66/ref=psdc_13749761_t1_B08VDR3P5Y?th=1), last visited Nov. 11, 2021.

\* cited by examiner

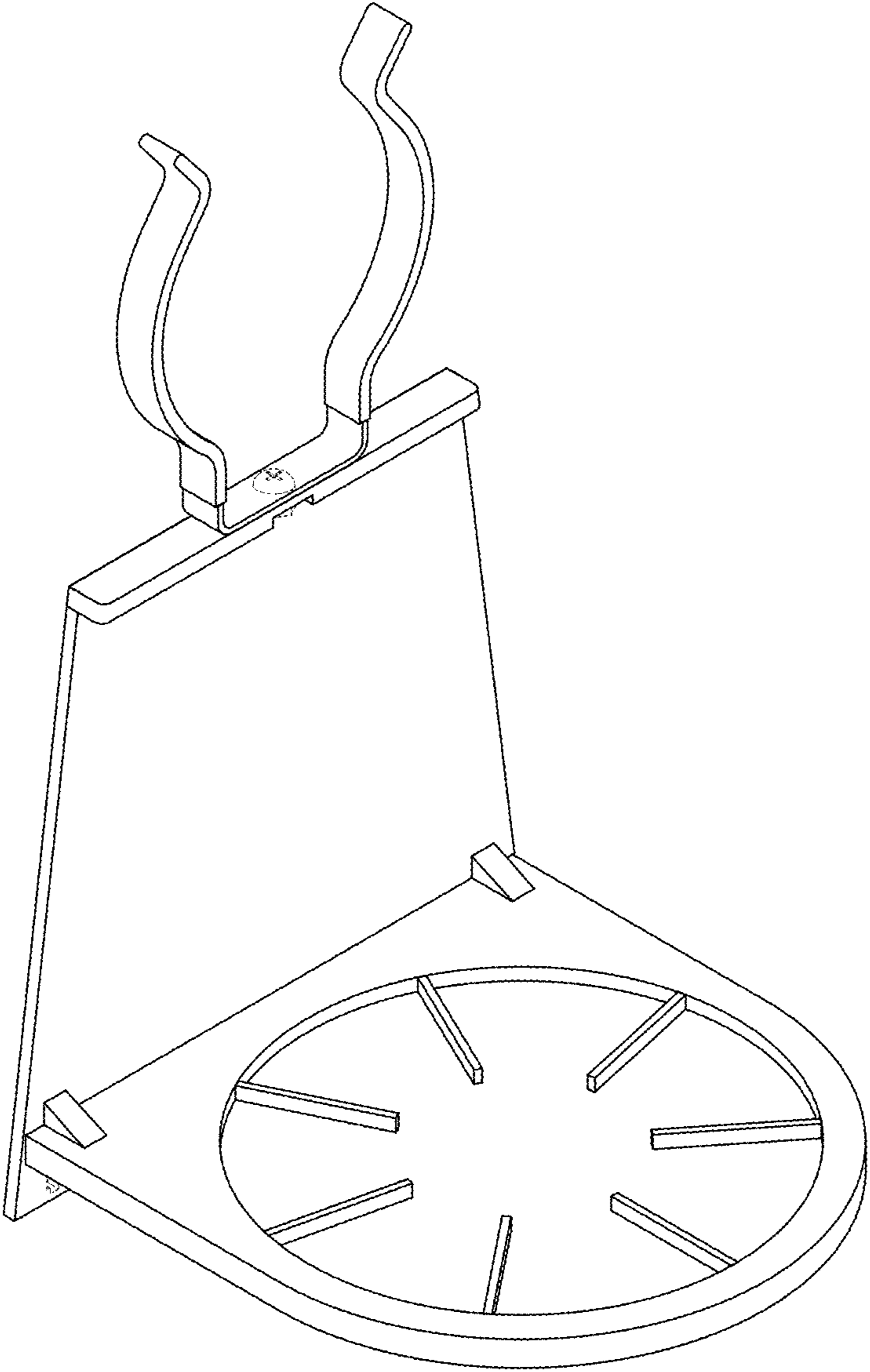


FIG.1

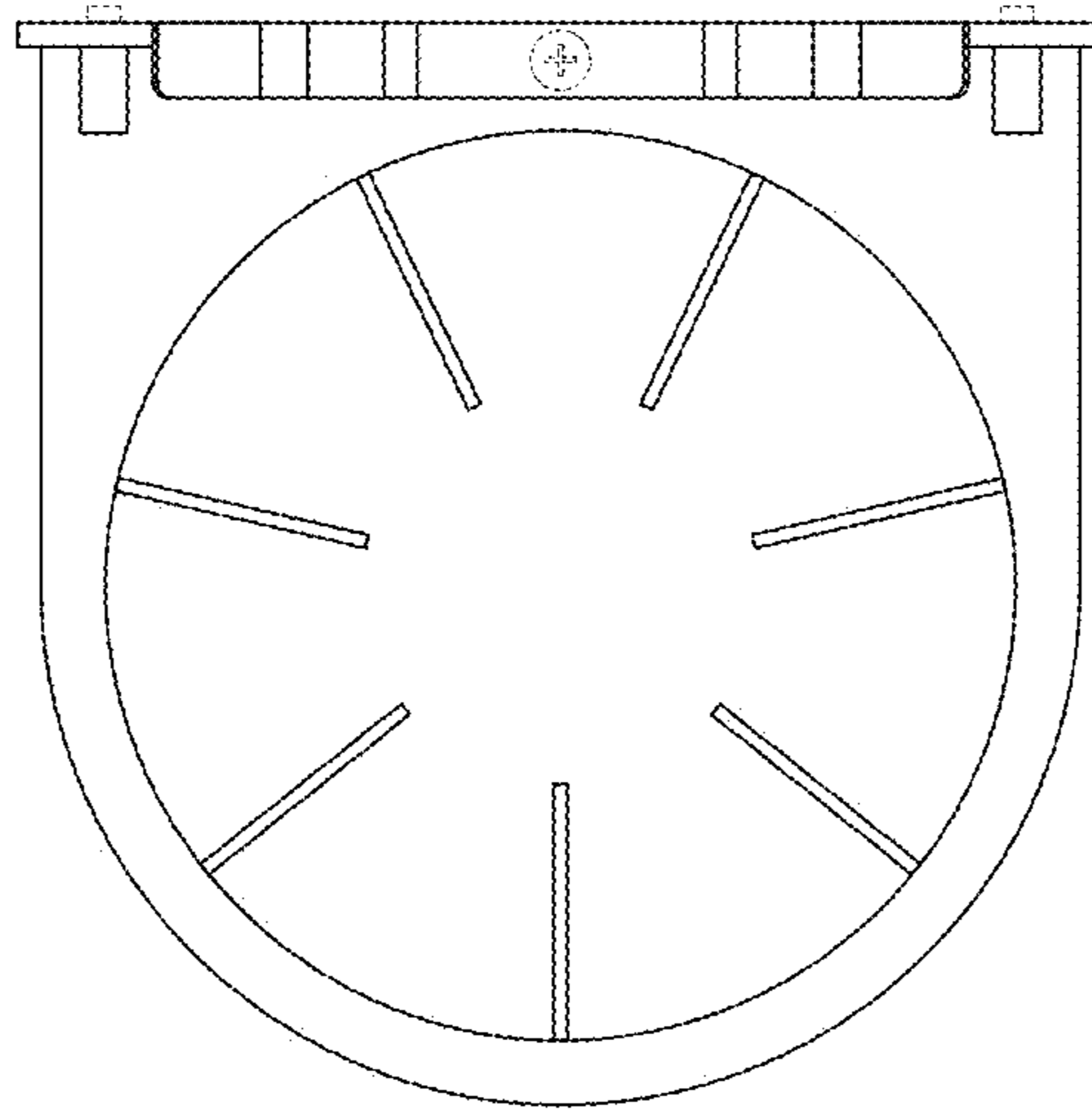


FIG. 2

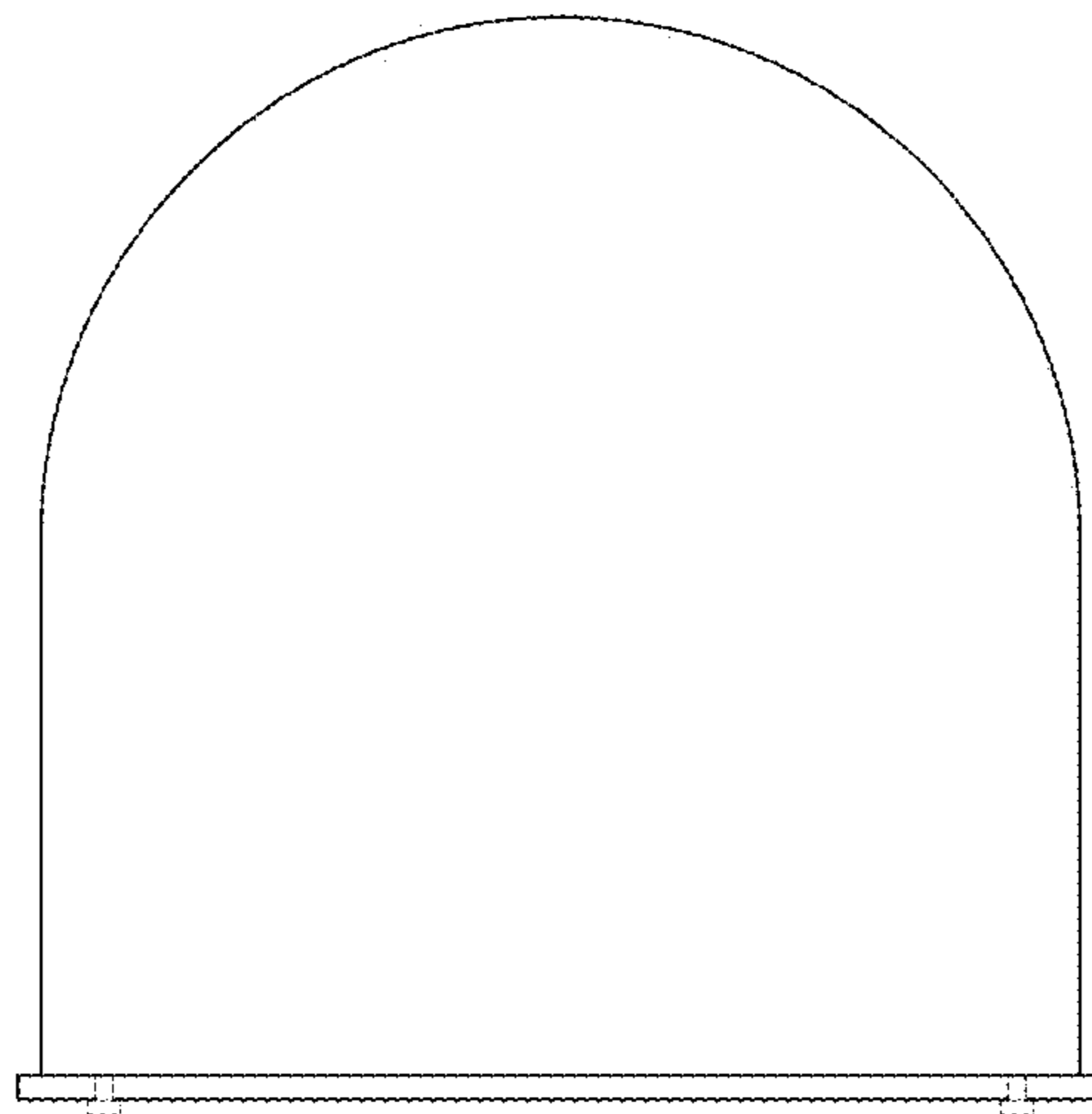


FIG. 3

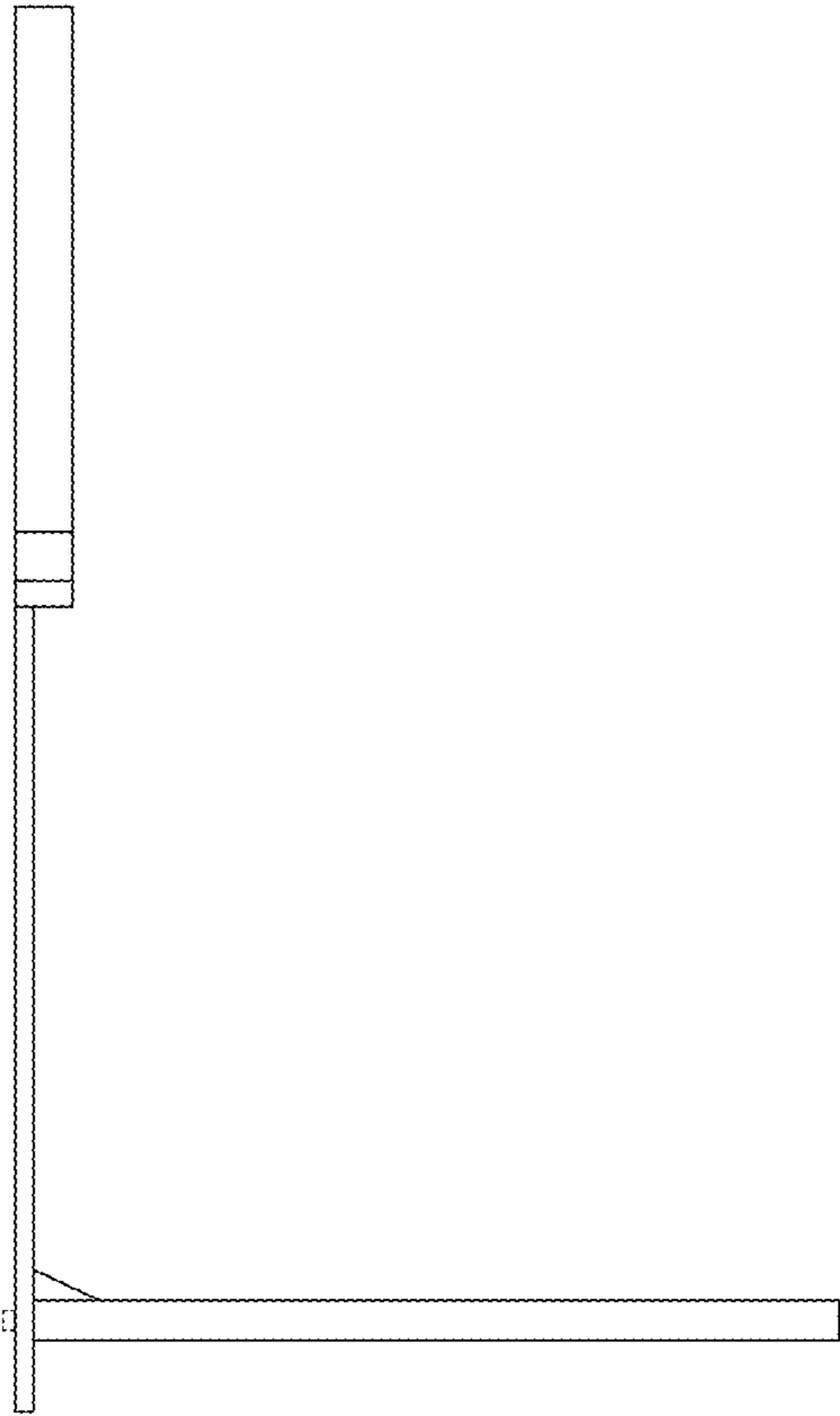


FIG.4

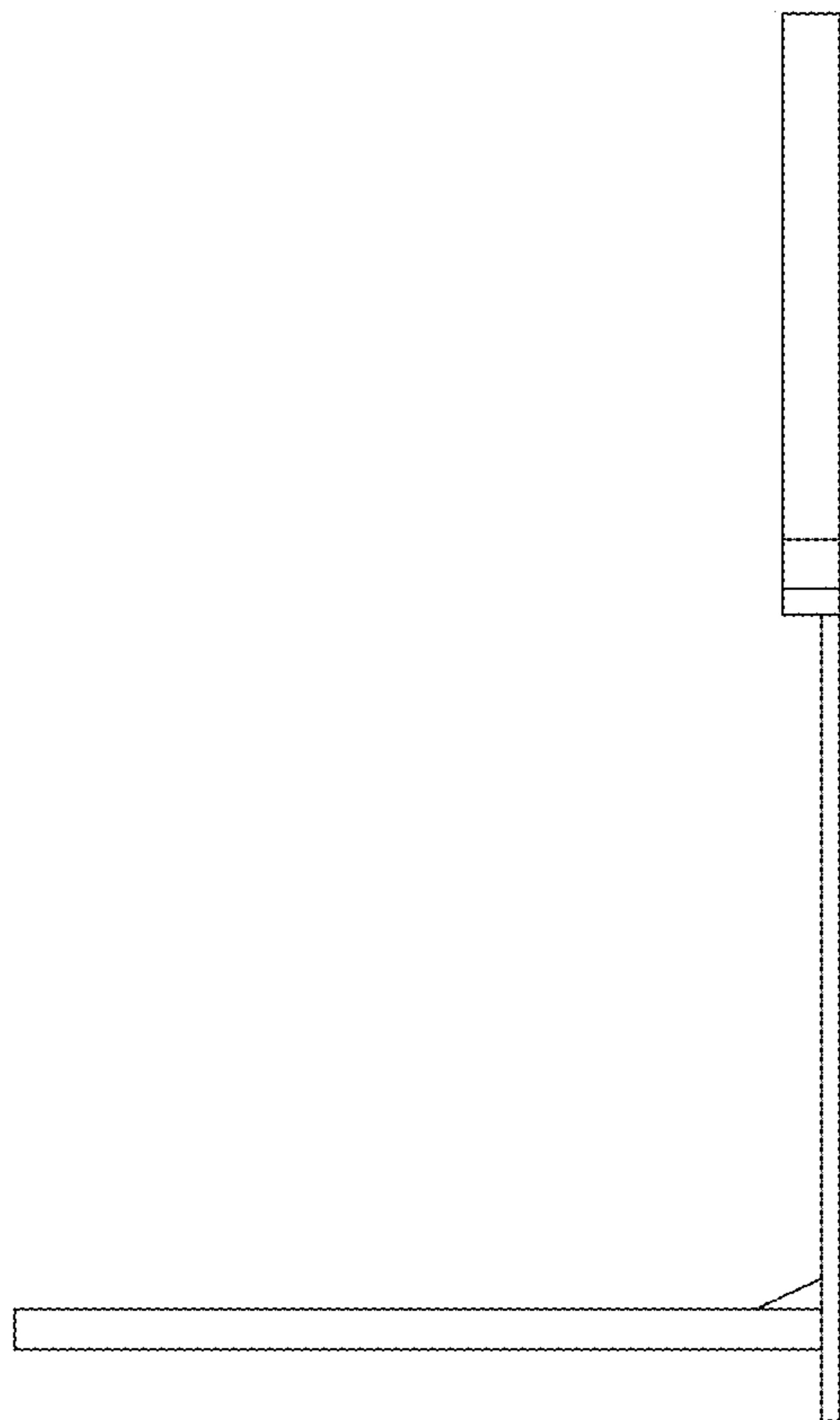


FIG.5

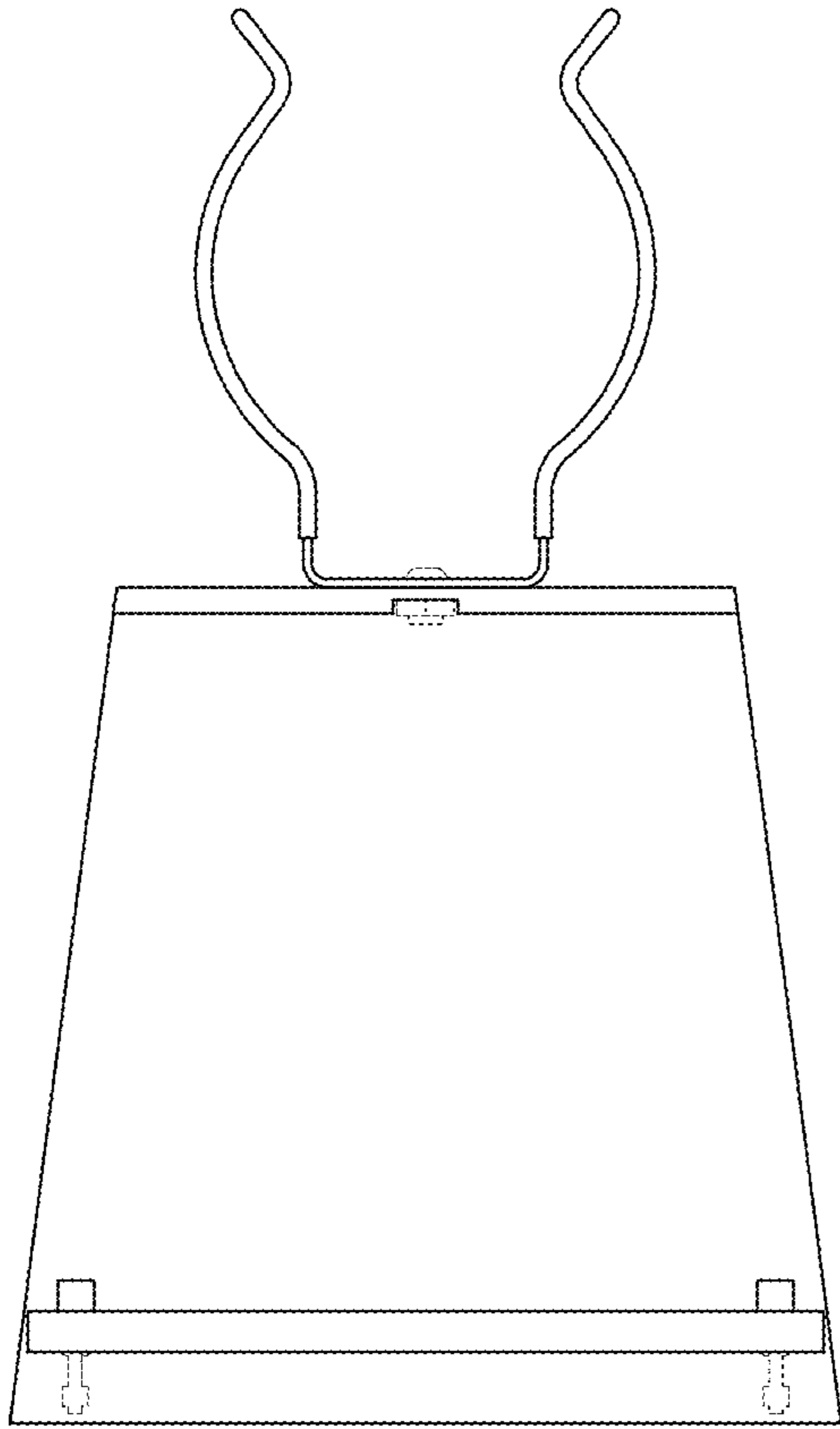


FIG. 6

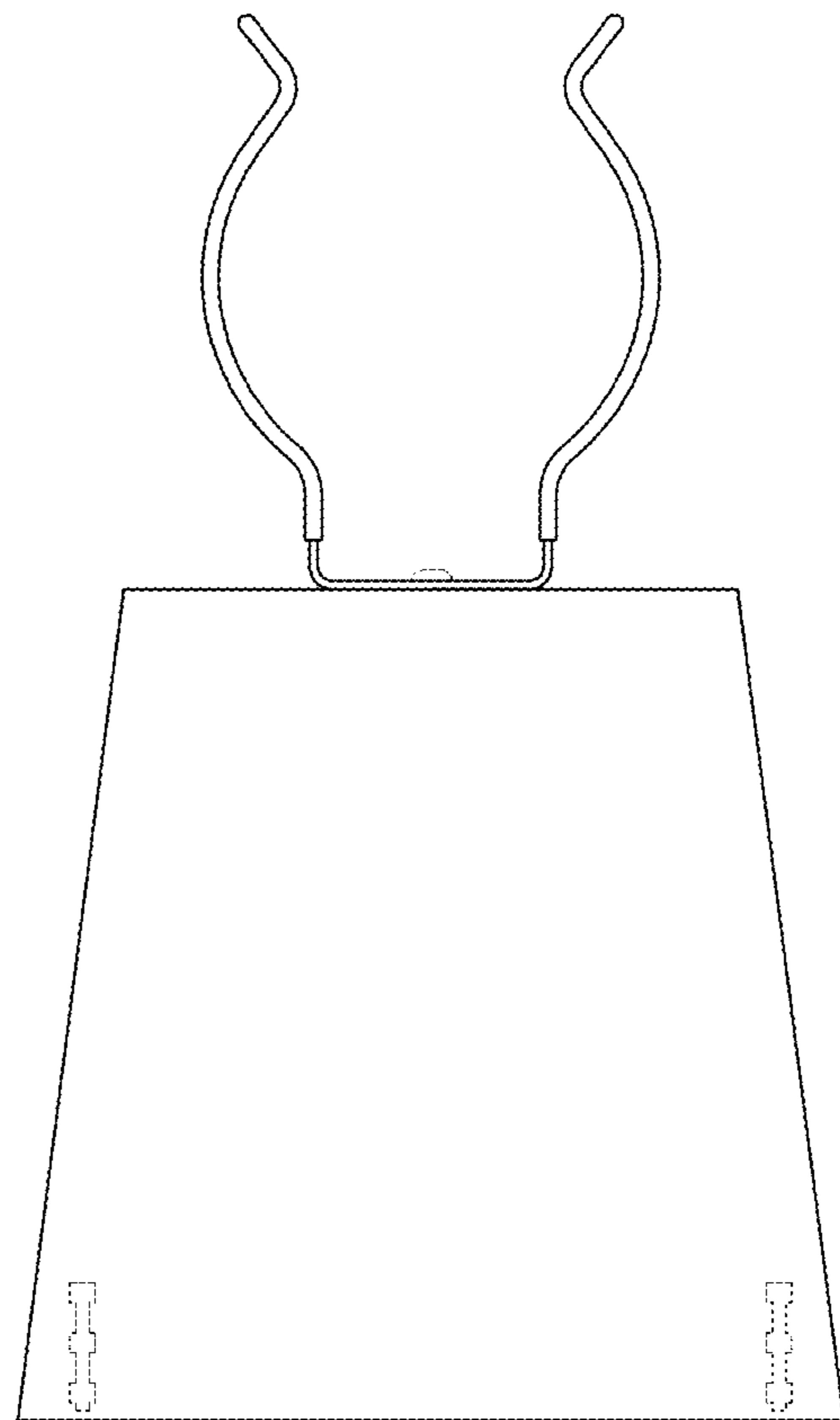


FIG. 7

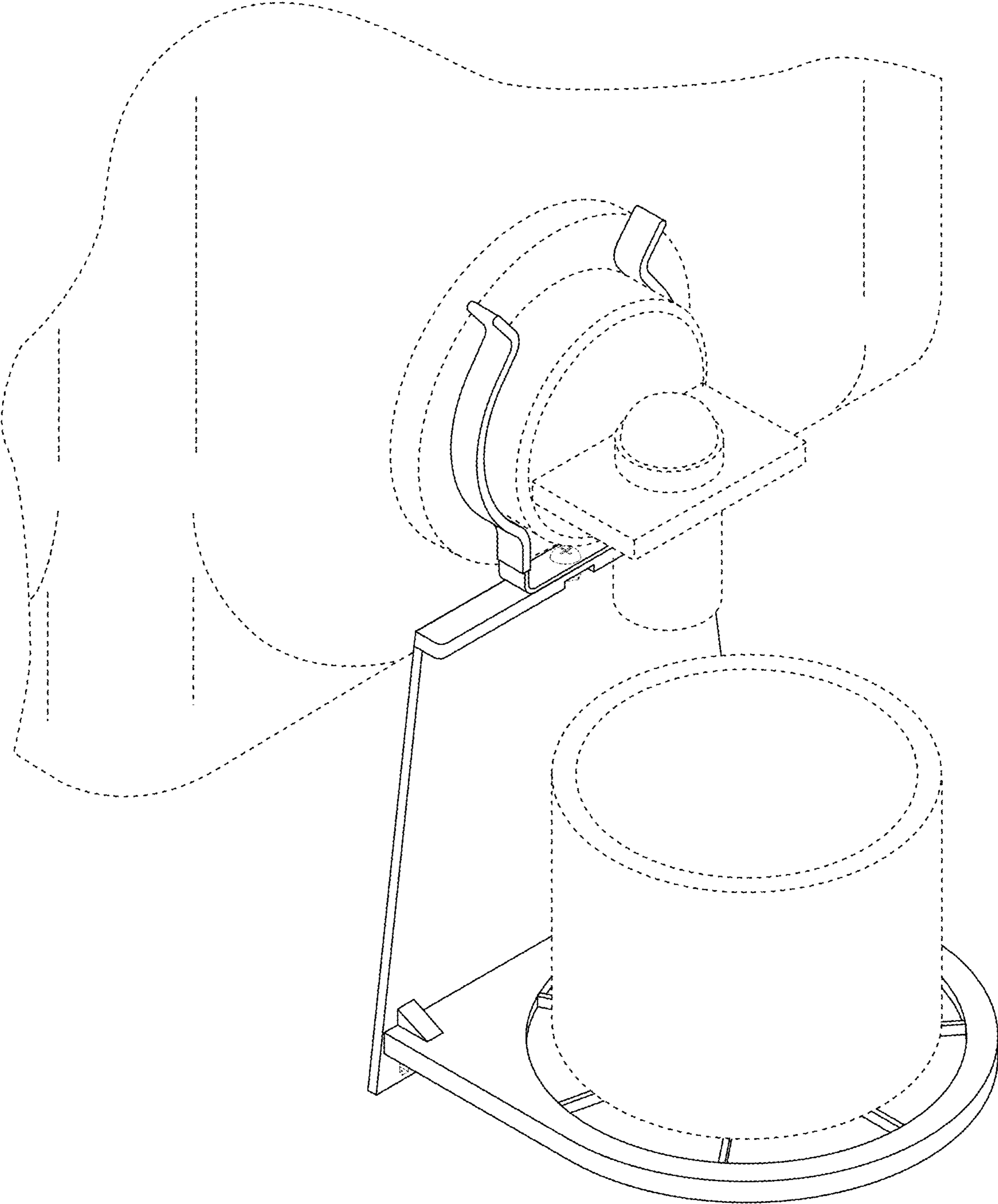


FIG. 8