



US00D980561S

(12) **United States Design Patent**
Niedzwecki et al.

(10) **Patent No.:** **US D980,561 S**
(45) **Date of Patent:** **** Mar. 7, 2023**

(54) **VACUUM CLEANER**

D633,264 S * 2/2011 Lee D32/22
D652,589 S * 1/2012 Lee D32/22
D666,368 S * 8/2012 Ghim D32/22

(71) Applicant: **SharkNinja Operating, LLC**,
Needham, MA (US)

(Continued)

(72) Inventors: **Scott Niedzwecki**, East Walpole, MA
(US); **Andre D. Brown**, Natick, MA
(US); **Lee M. Cottrell**, Newton, MA
(US); **Mingshun Su**, Suzhou (CN);
Robert Yang, Suzhou (CN)

OTHER PUBLICATIONS

Shark Ion P50 Powered Lift-Away (on-line), dated Sep. 15, 2018.
Retrieved from Internet May 19, 2020, URL: <https://www.vacuumguide.com/shark-ion-p50/> (2 pages) (Year: 2018).*

(Continued)

(73) Assignee: **SHARKNINJA OPERATING LLC**,
Needham, MA (US)

Primary Examiner — Kimberly Barnes

(**) Term: **15 Years**

(74) *Attorney, Agent, or Firm* — Grossman, Tucker,
Perreault & Pfleger, PLLC

(21) Appl. No.: **29/764,060**

(57) **CLAIM**

(22) Filed: **Dec. 28, 2020**

We claim the ornamental design for a vacuum cleaner, as shown and described.

Related U.S. Application Data

DESCRIPTION

(62) Division of application No. 29/658,531, filed on Jul. 31, 2018, now Pat. No. Des. 906,609.

(51) **LOC (14) Cl.** **15-05**

(52) **U.S. Cl.**
USPC **D32/22**

(58) **Field of Classification Search**
USPC D32/15, 19, 20, 30, 31, 21, 23, 17, 18,
D32/22, 24, 25, 32, 33, 34
CPC A47L 2201/00; A47L 11/24; A47L 11/28;
A47L 11/00; A47L 11/30; A47L 11/40;
A47L 7/00; A47L 9/00; A47L 9/327;
A47L 11/20; A47L 11/22; A47L 11/32;
A47L 5/24; A47L 5/28; A47L 5/225;
A47L 5/36; A47L 7/02

See application file for complete search history.

FIG. 1 is a front, top, left perspective view of a vacuum cleaner, showing a new design;
FIG. 2 is a front, top, right perspective view thereof;
FIG. 3 is a rear, top, right perspective view thereof;
FIG. 4 is a rear, top, left perspective view thereof;
FIG. 5 is a front, bottom, right perspective view thereof;
FIG. 6 is a front, bottom, left perspective view thereof;
FIG. 7 is a rear, bottom, left perspective view thereof;
FIG. 8 is a rear, bottom, right perspective view thereof;
FIG. 9 is a front side view thereof;
FIG. 10 is a rear view thereof;
FIG. 11 is a right view thereof;
FIG. 12 is a left view thereof;
FIG. 13 is a top view thereof; and,
FIG. 14 is a bottom view thereof.

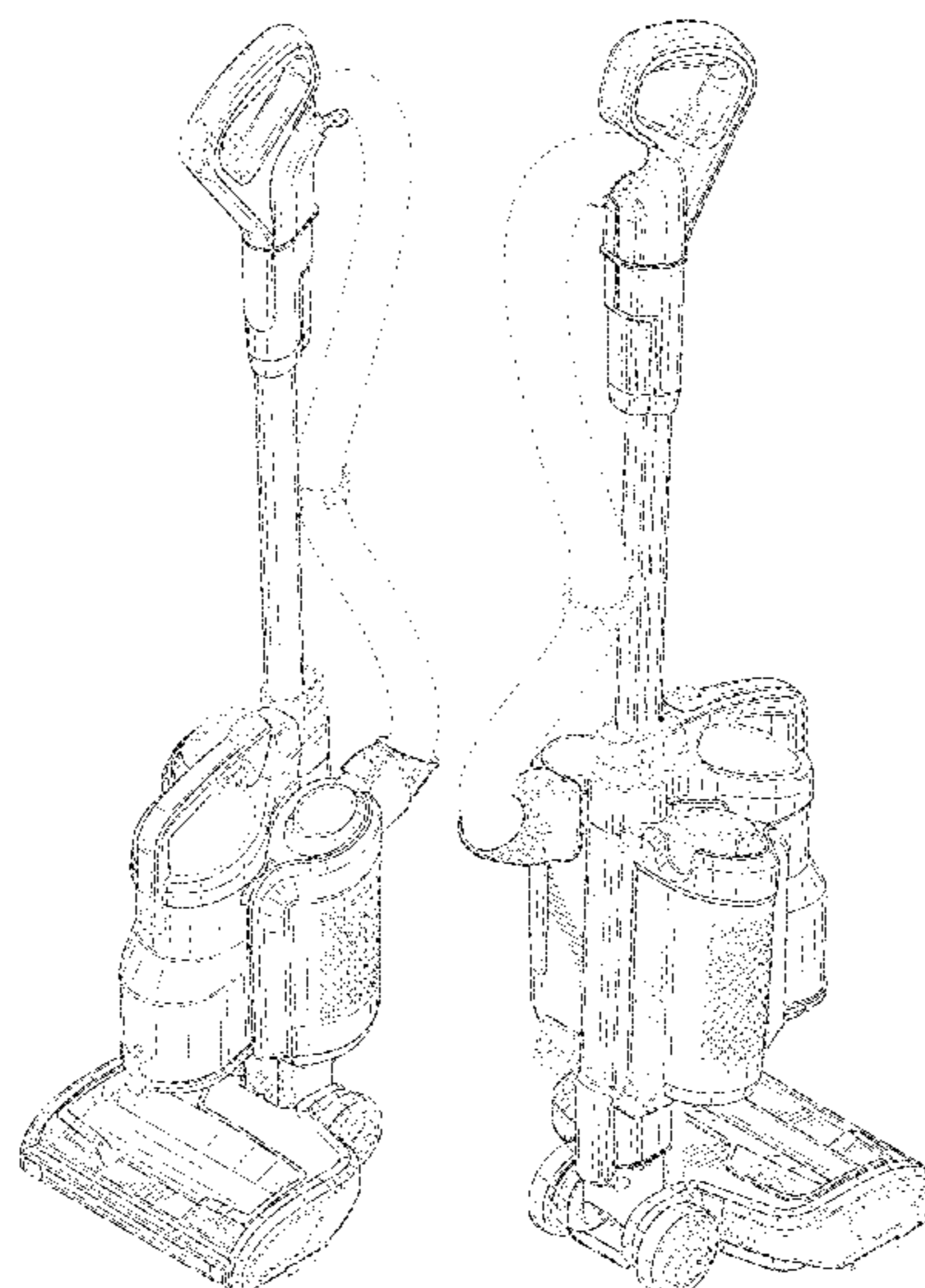
Broken lines in the drawings are for the purpose of illustrating portions of the vacuum cleaner that form no part of the claimed design.

(56) **References Cited**

U.S. PATENT DOCUMENTS

D521,699 S * 5/2006 Greene D32/22
D607,160 S * 12/2009 Yu D32/22

1 Claim, 13 Drawing Sheets



(56)

References Cited

U.S. PATENT DOCUMENTS

D671,697 S * 11/2012 Kim D32/22
 D685,961 S * 7/2013 Bilger D32/31
 D686,377 S * 7/2013 Thorne D32/31
 D740,505 S * 10/2015 Gidwell D32/31
 9,215,960 B2 * 12/2015 Conrad A47L 9/106
 D762,031 S * 7/2016 Niedzwecki D32/32
 D769,557 S * 10/2016 Johnson D32/22
 D770,106 S * 10/2016 Johnson D32/22
 D775,440 S * 12/2016 Kwon D32/22
 D784,636 S * 4/2017 Canas D32/22
 D791,421 S * 7/2017 Wu D32/31
 D792,669 S * 7/2017 Johnson D32/31
 D804,120 S * 11/2017 Bond D32/31
 D804,751 S * 12/2017 Johnson D32/22
 9,936,846 B2 * 4/2018 Conrad A47L 9/1608
 9,962,049 B2 * 5/2018 Thorne A47L 9/327
 10,092,155 B2 * 10/2018 Xia A47L 11/4088
 D853,063 S * 7/2019 Johnson D32/33
 D870,406 S * 12/2019 Niedzwecki D32/33
 10,542,861 B2 * 1/2020 Conrad A47L 11/4027

D874,762 S * 2/2020 Tang D32/22
 D887,656 S * 6/2020 Chei D32/22
 10,687,679 B2 * 6/2020 Conrad A47L 5/24
 D891,015 S * 7/2020 Palladino D32/31
 10,702,108 B2 * 7/2020 Udy A47L 5/34
 10,827,890 B2 * 11/2020 Conrad A47L 9/1683
 D905,918 S * 12/2020 Pearce D32/32
 D906,609 S * 12/2020 Niedzwecki D32/22
 D910,945 S * 2/2021 Miller D32/31
 11,399,695 B2 * 8/2022 Terrádez Alemany
 A47L 15/0028
 2020/0037833 A1 * 2/2020 Niedzwecki A47L 9/0018
 2020/0085267 A1 * 3/2020 Thorne A47L 9/0054
 2022/0248922 A1 * 8/2022 Conrad A47L 9/0673

OTHER PUBLICATIONS

SharkNinja is the Dyson challenger (on-line), dated Dec. 14, 2018.
 Retrieved from Internet May 19, 2020, URL: <https://metro.co.uk/2018/12/14/sharkninja-dyson-challenger-prove-products-can-really-suck-8247702/> (4 pages) (Year: 2018).*

* cited by examiner

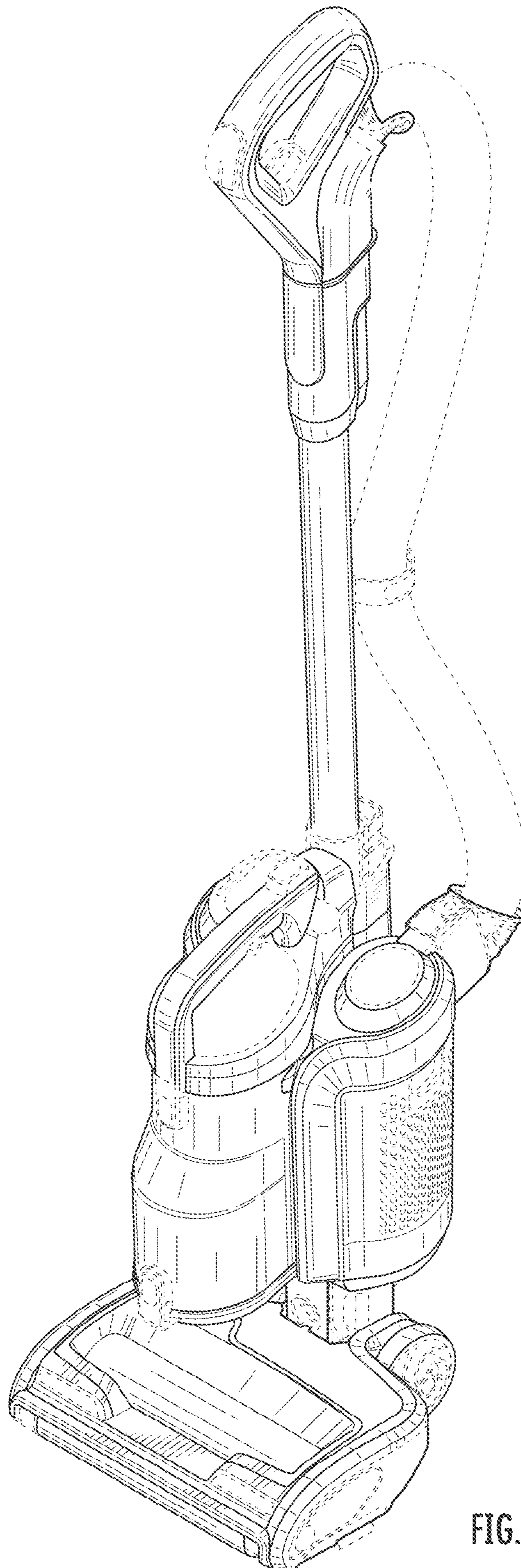


FIG. 1

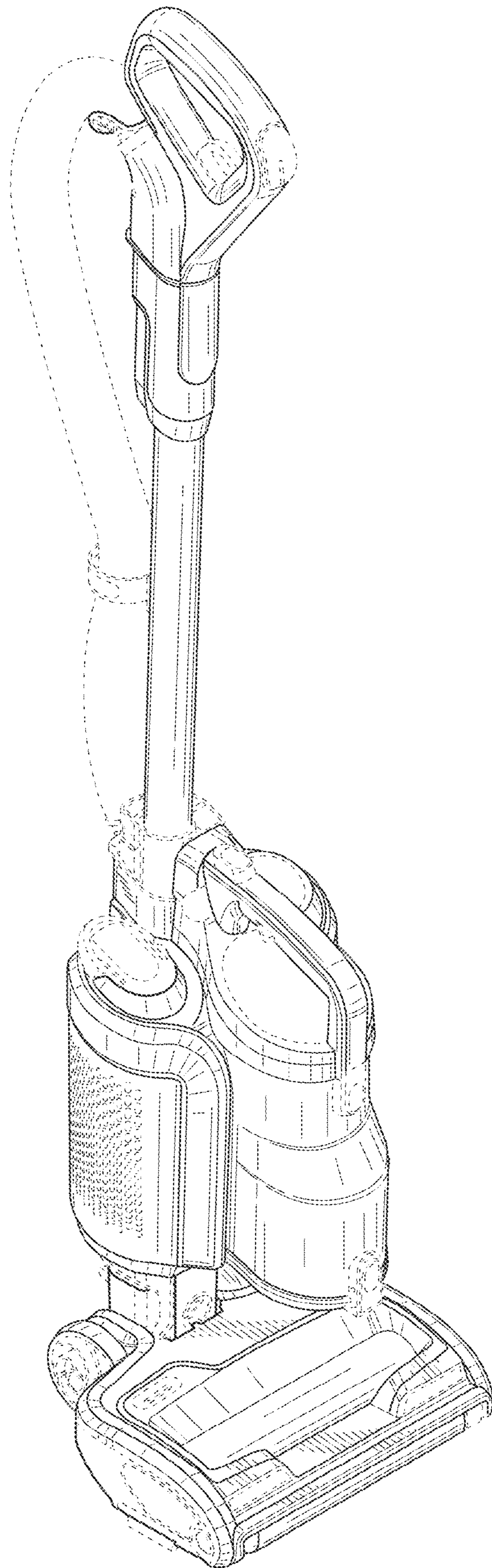


FIG. 2

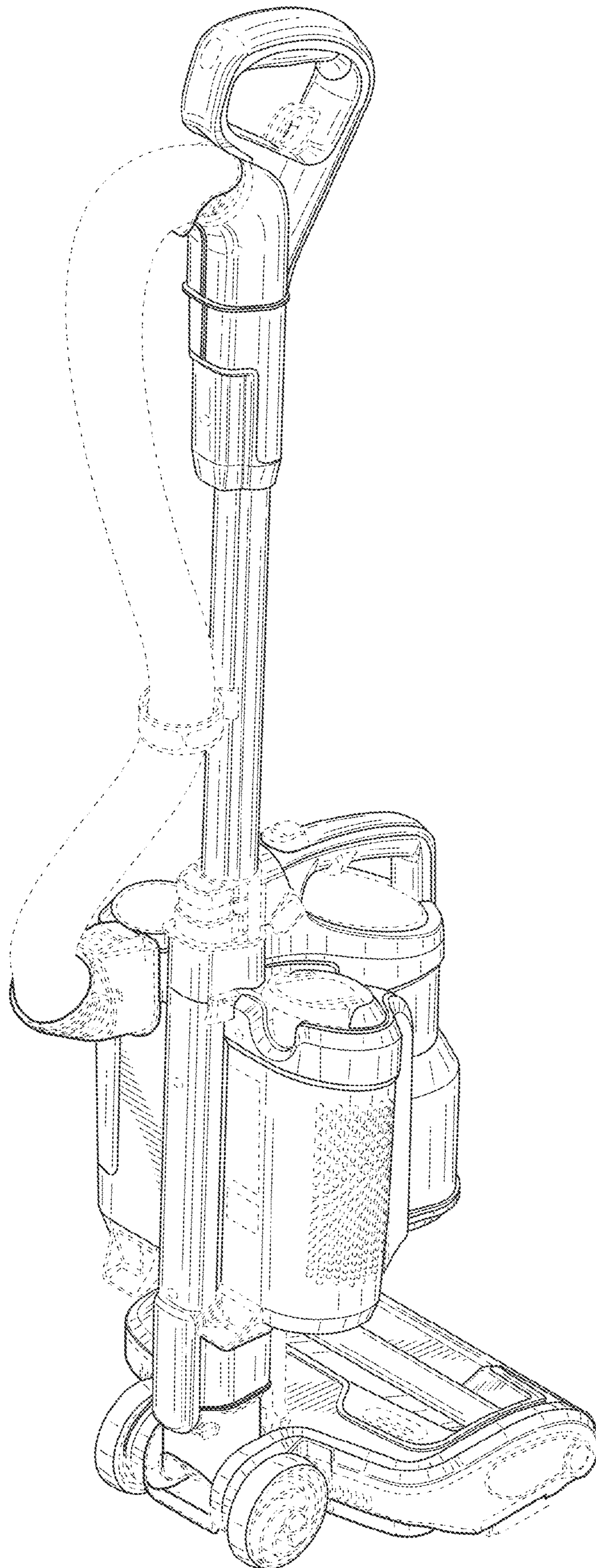


FIG. 3

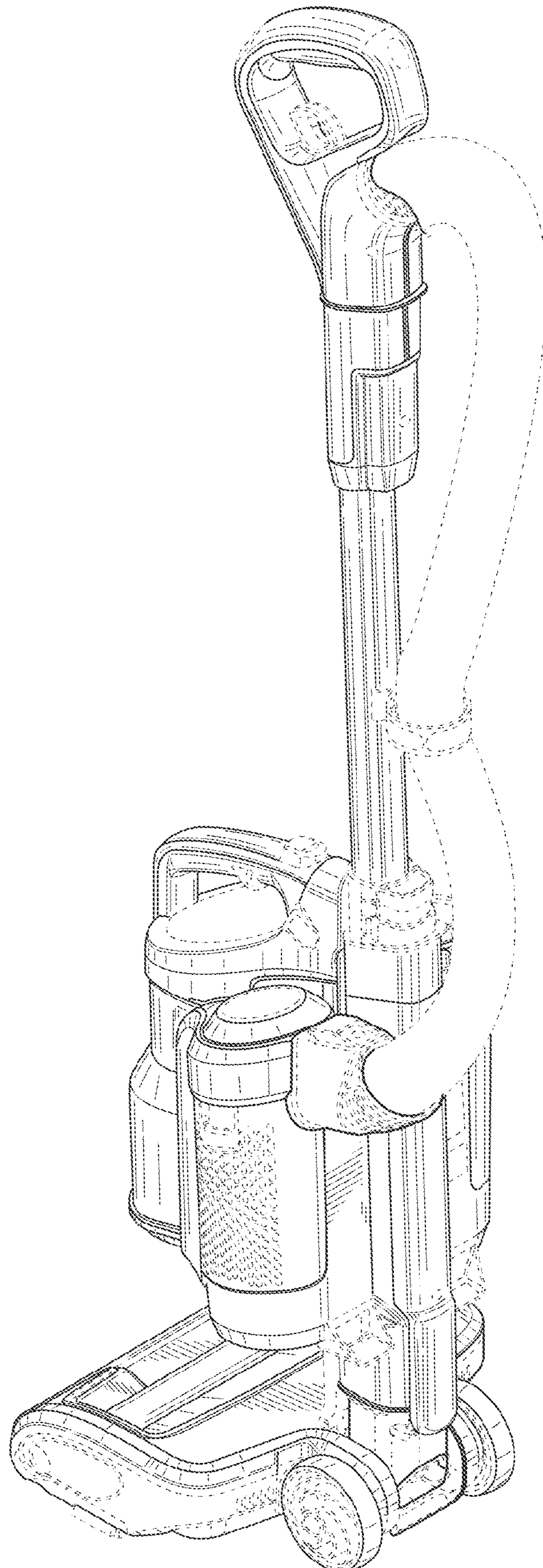


FIG. 4

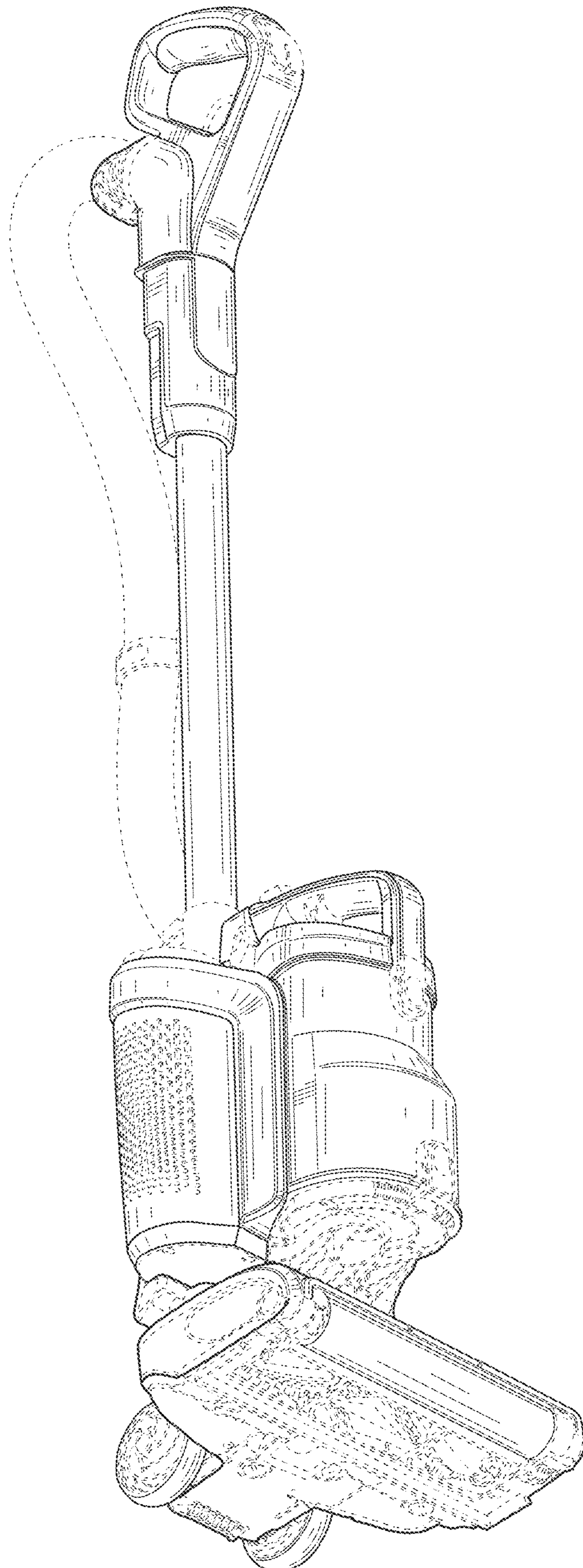


FIG. 5

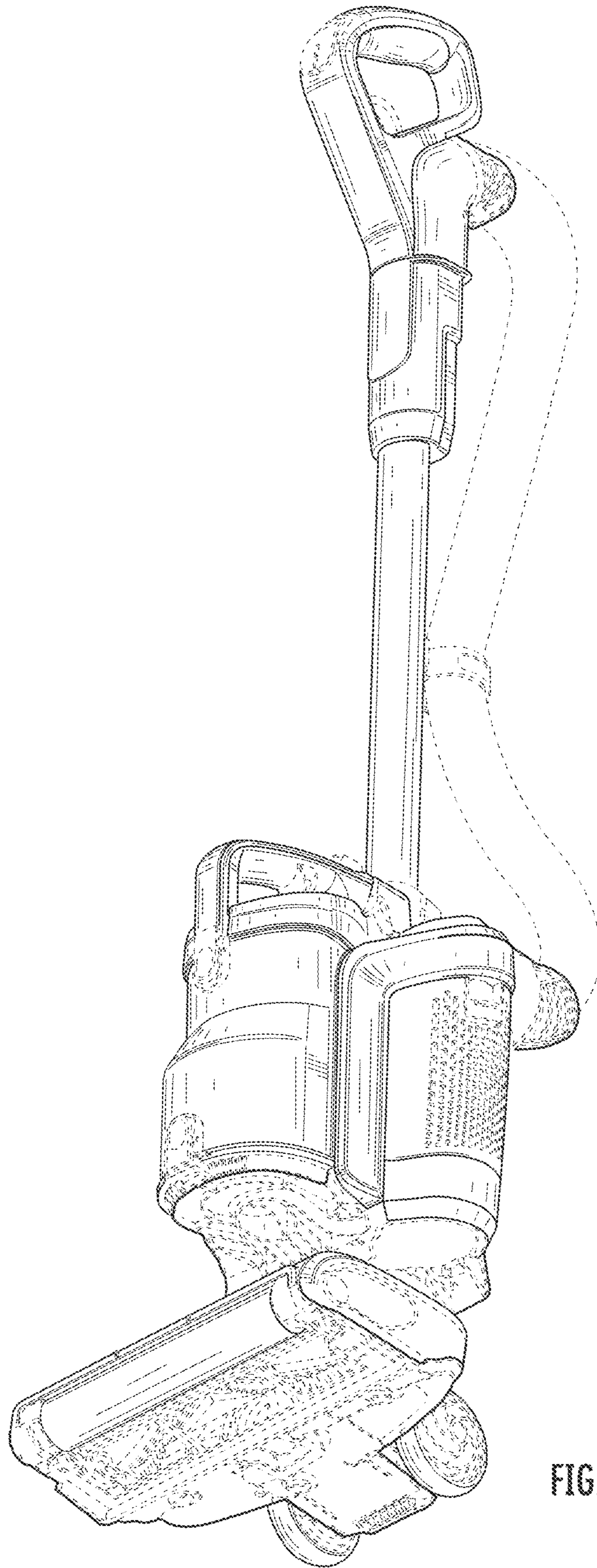


FIG. 6

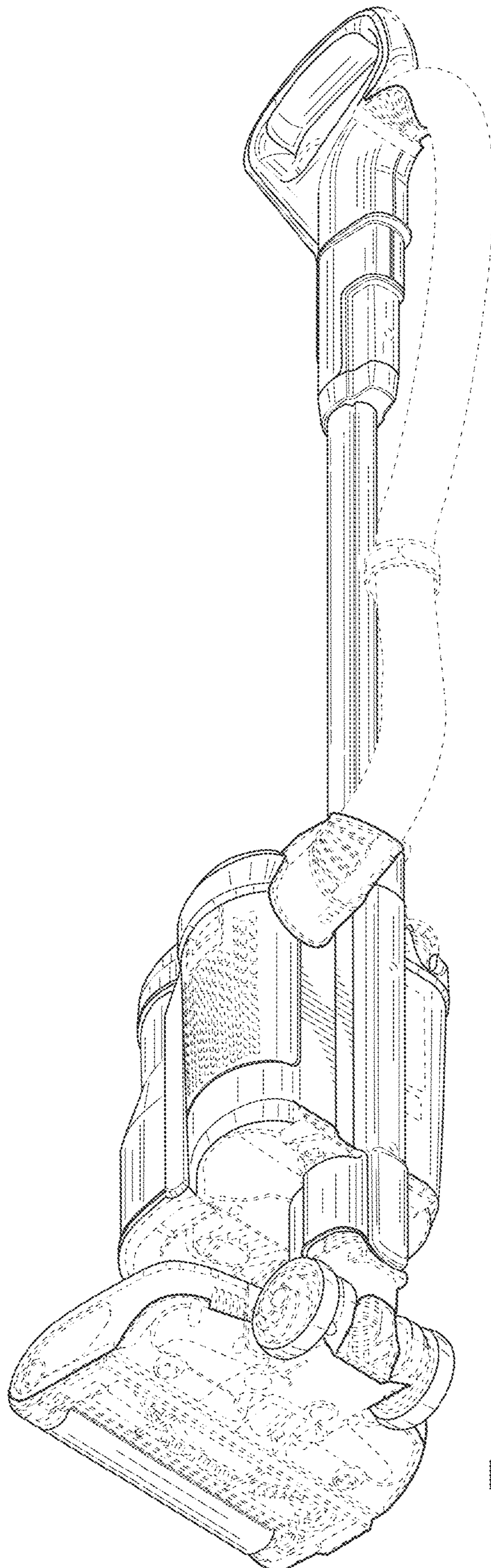


FIG. 7

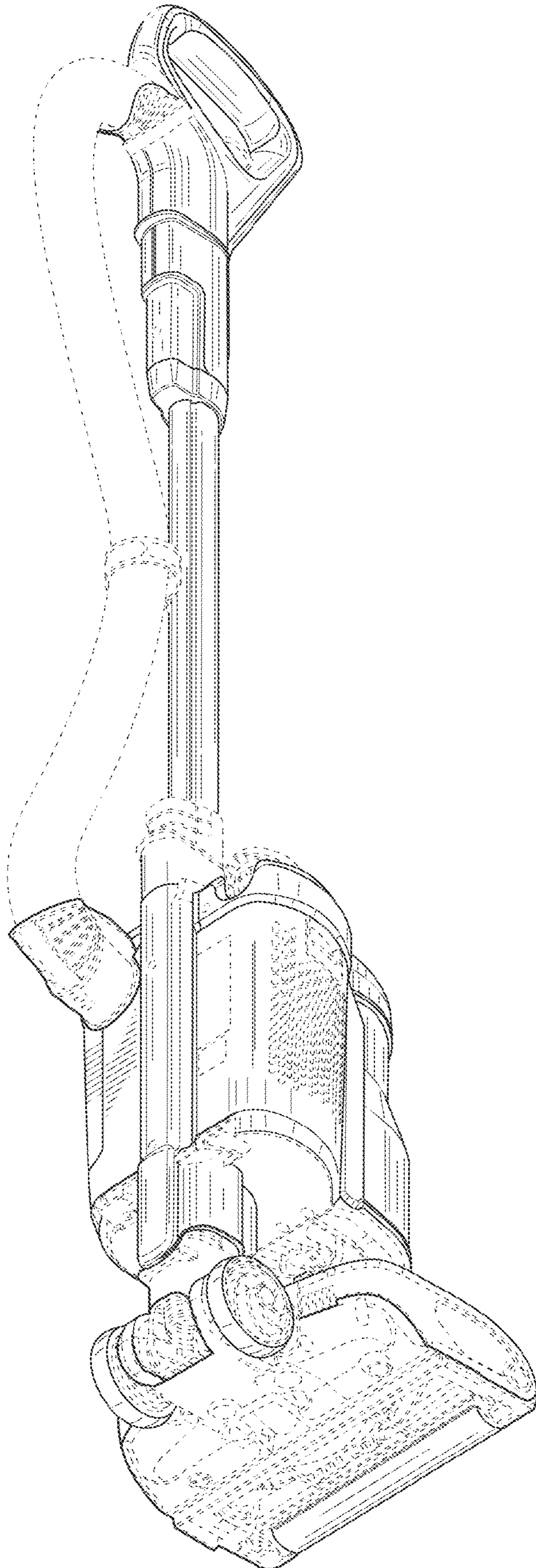


FIG. 8

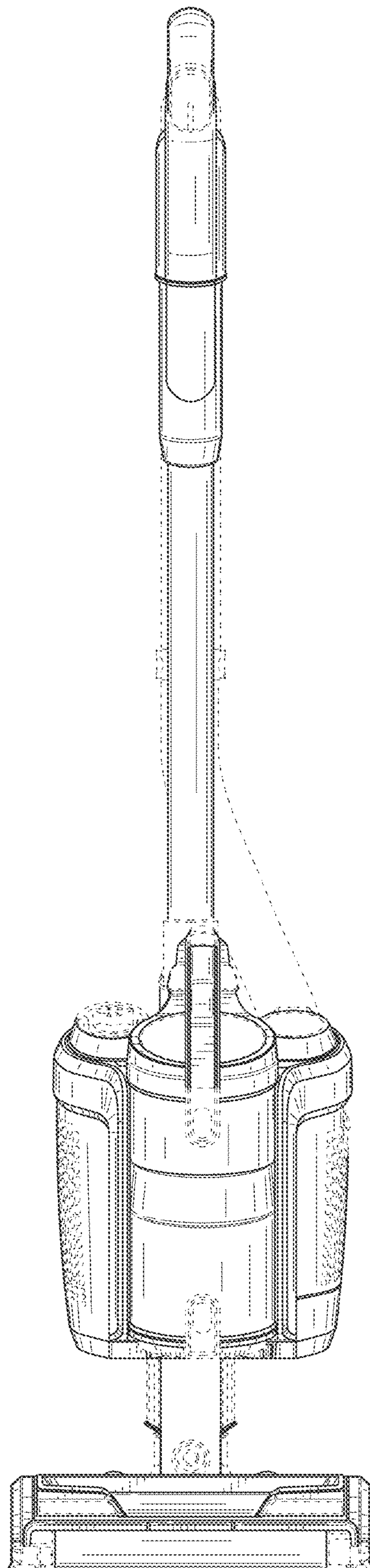


FIG. 9

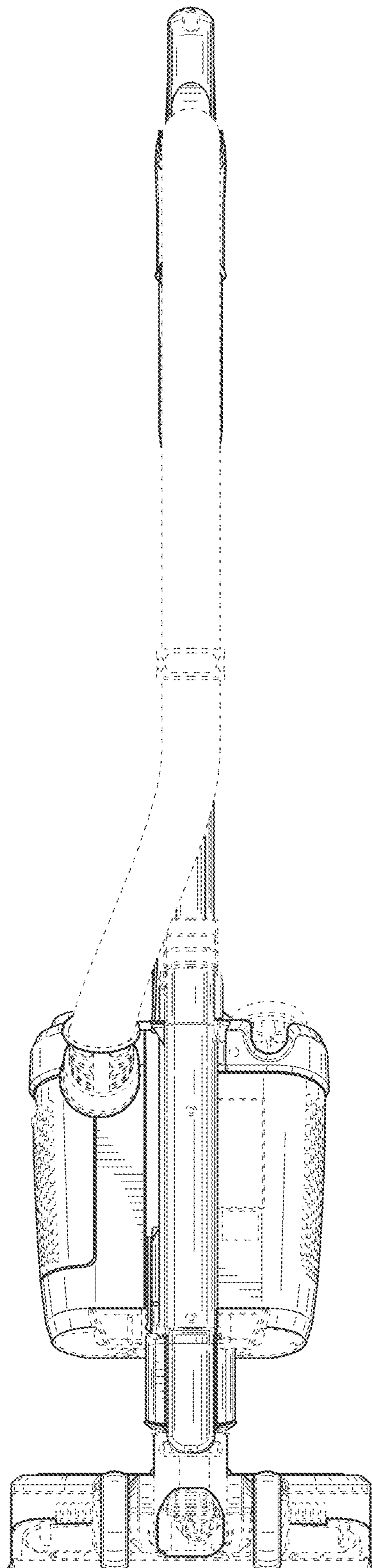


FIG. 10

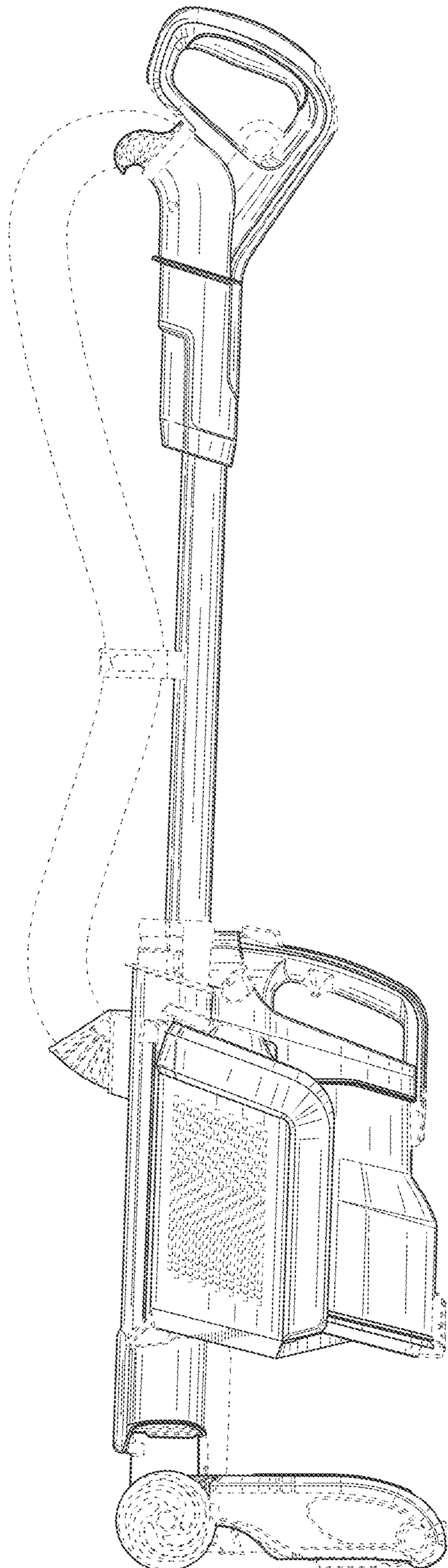


FIG. 11

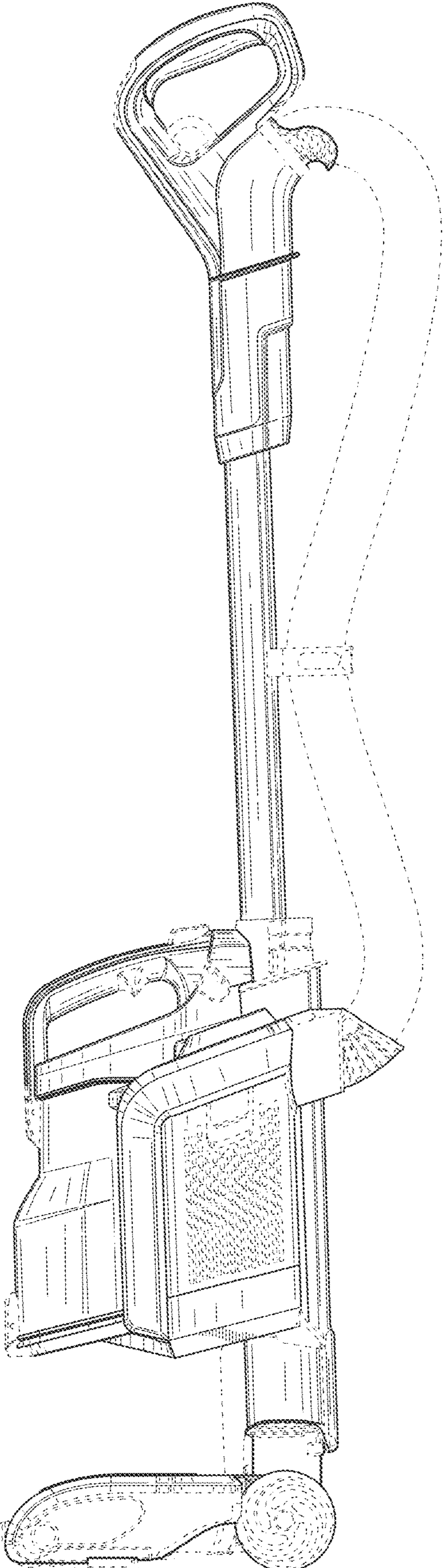


FIG. 12

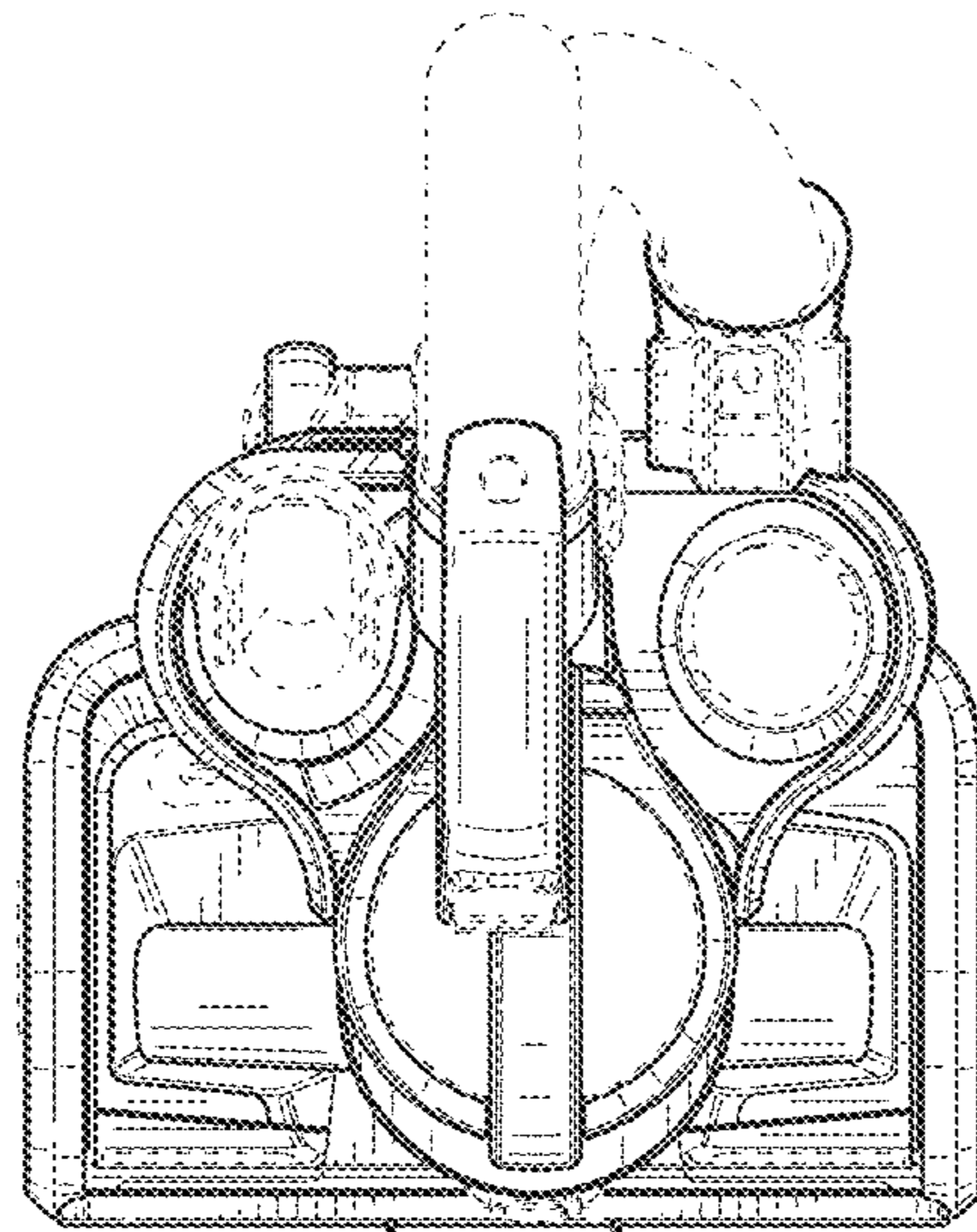


FIG. 13

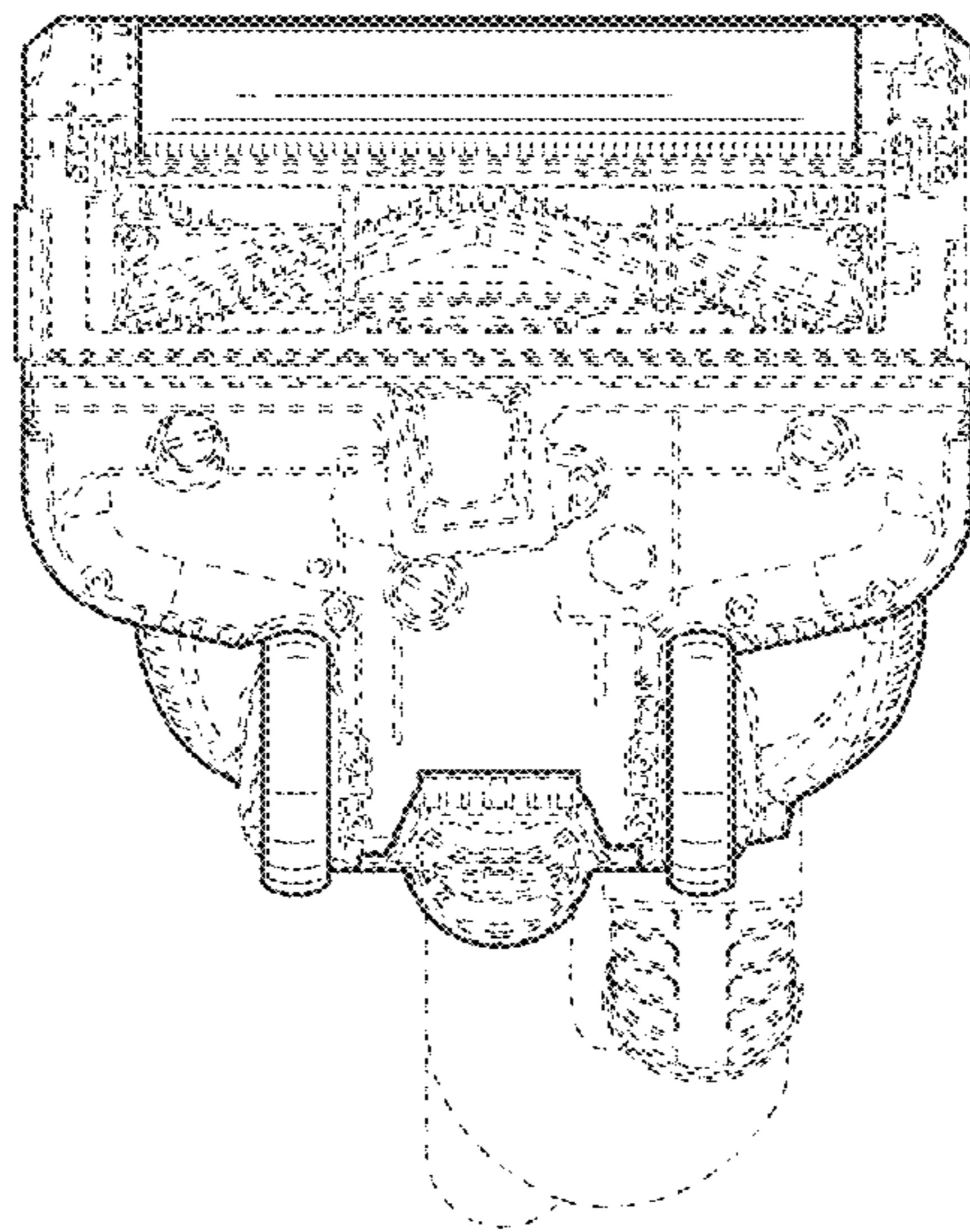


FIG. 14