



US00D980559S

(12) **United States Design Patent**
Hu

(10) **Patent No.:** **US D980,559 S**

(45) **Date of Patent:** **** Mar. 7, 2023**

(54) **VACUUM CLEANER**

(71) Applicant: **GOOTOP INC.**, Temple City, CA (US)

(72) Inventor: **Wei Hu**, Temple City, CA (US)

(73) Assignee: **GOOTOP INC.**, Temple City, CA (US)

(**) Term: **15 Years**

(21) Appl. No.: **29/854,642**

(22) Filed: **Sep. 27, 2022**

(51) **LOC (14) Cl.** **15-05**

(52) **U.S. Cl.**
USPC **D32/21; D32/18**

(58) **Field of Classification Search**
USPC D32/15-25, 30-34
CPC ... A47L 5/24; A47L 5/26; A47L 5/367; A47L
7/0076; A47L 7/008; A47L 9/2857; A47L
9/32; A47L 9/322; A47L 9/325; A47L
9/327; A47L 9/1608

See application file for complete search history.

(56) **References Cited**

U.S. PATENT DOCUMENTS

D294,412 S *	2/1988	Sadashima	D32/18
D653,008 S *	1/2012	Houghton	D32/18
D720,101 S *	12/2014	Erlich	D32/18
D812,327 S *	3/2018	Houghton	D32/18
D880,086 S *	3/2020	Tan	D32/18
D918,502 S *	5/2021	Ma	D32/18

D941,539 S *	1/2022	Crawley	D32/18
11,224,324 B2 *	1/2022	Conrad	A47L 9/1608
D952,969 S *	5/2022	Chen	D32/18
D963,268 S	9/2022	Zheng		
D963,975 S	9/2022	He		
2021/0093141 A1 *	4/2021	Oka	A47L 9/24
2022/0279995 A1 *	9/2022	Conrad	A47L 9/1666

FOREIGN PATENT DOCUMENTS

CN 304651516 * 5/2018

* cited by examiner

Primary Examiner — Kimberly Barnes

(74) *Attorney, Agent, or Firm* — ScienBiziP, P.C.

(57) **CLAIM**

The ornamental design for a vacuum cleaner, as shown and described.

DESCRIPTION

FIG. 1 is a front, right and top perspective view of a vacuum cleaner, showing my design.

FIG. 2 is a rear, right and bottom perspective view thereof.

FIG. 3 is a front elevation view thereof.

FIG. 4 is a rear elevation view thereof.

FIG. 5 is a left side elevation view thereof.

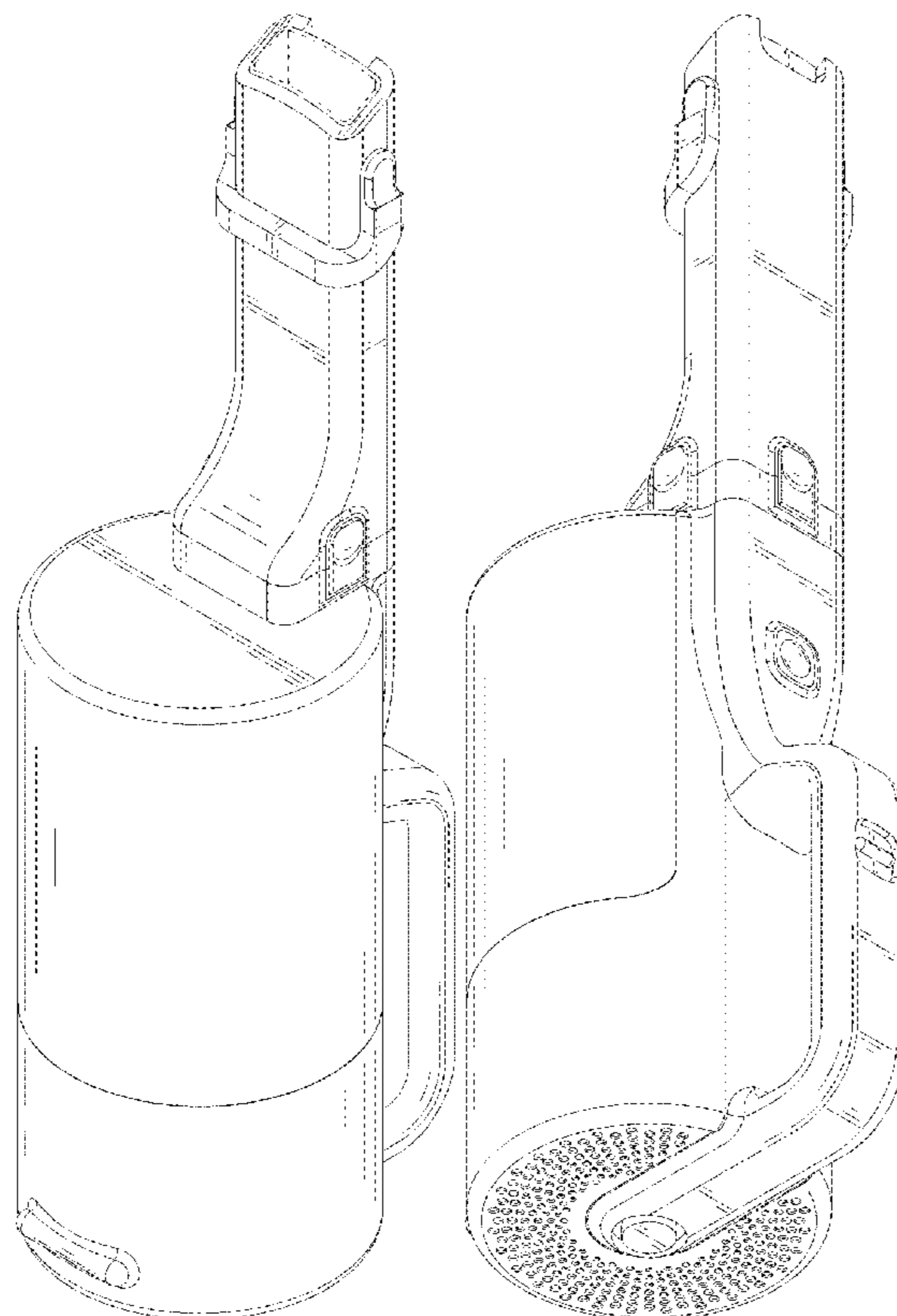
FIG. 6 is a right side elevation view thereof.

FIG. 7 is a top plan view thereof; and,

FIG. 8 is a bottom plan view thereof.

The broken lines depict portions of the vacuum cleaner that form no part of the claimed design.

1 Claim, 8 Drawing Sheets



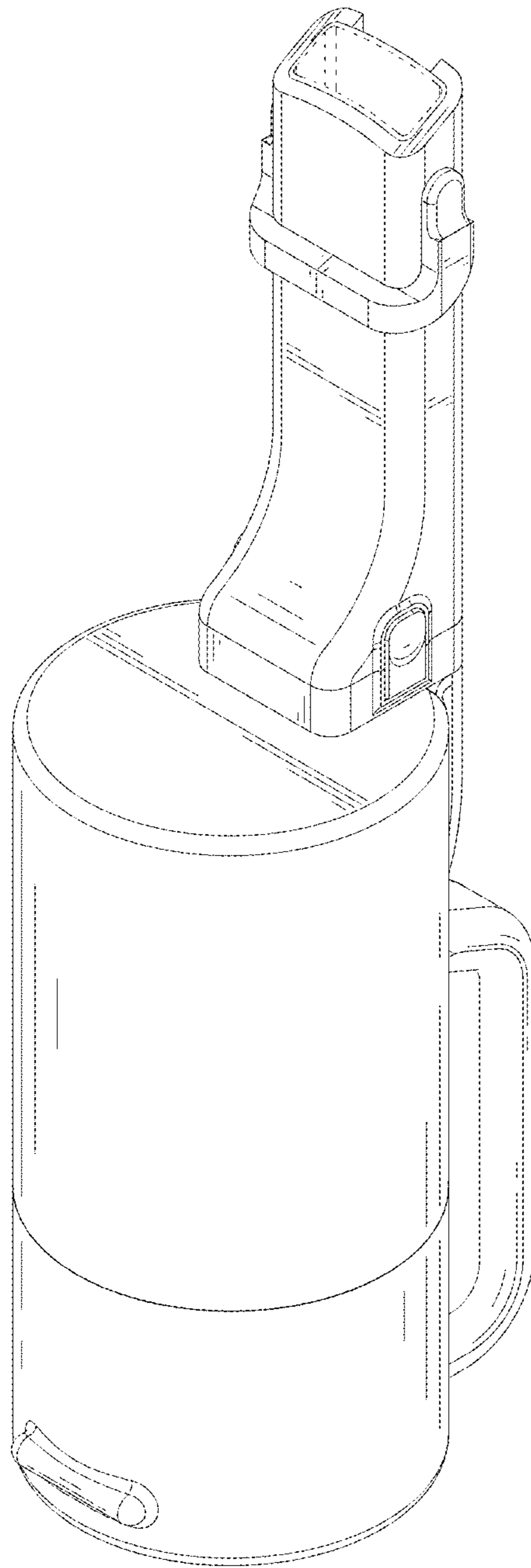


FIG.1

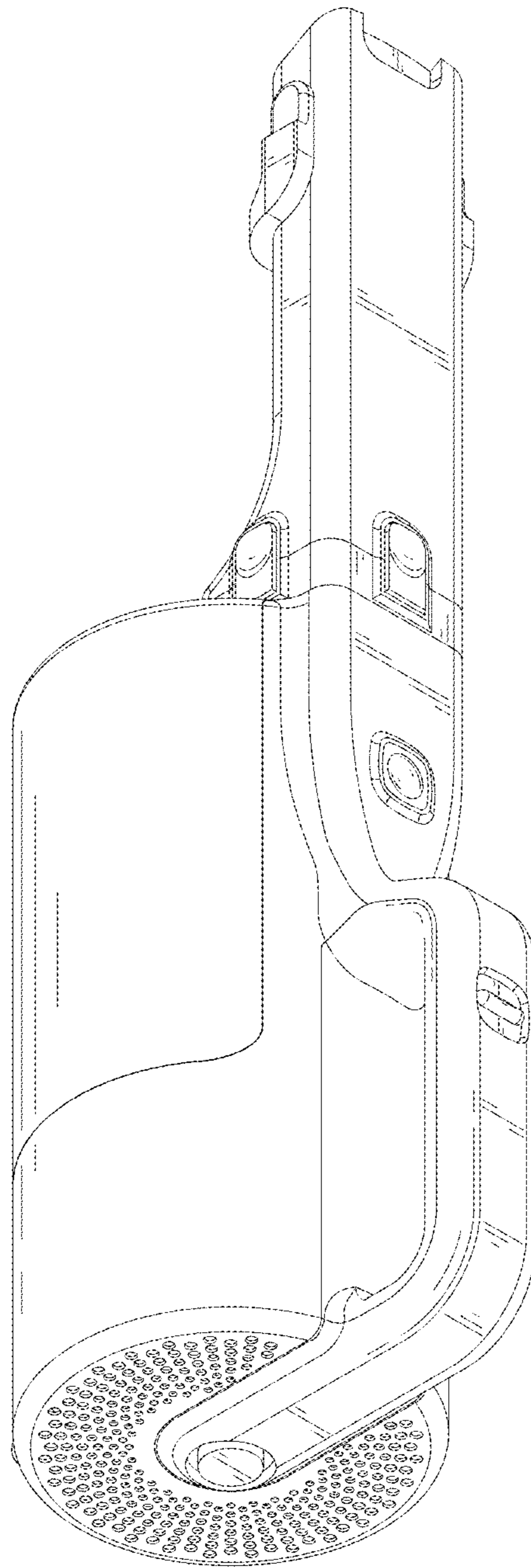


FIG.2

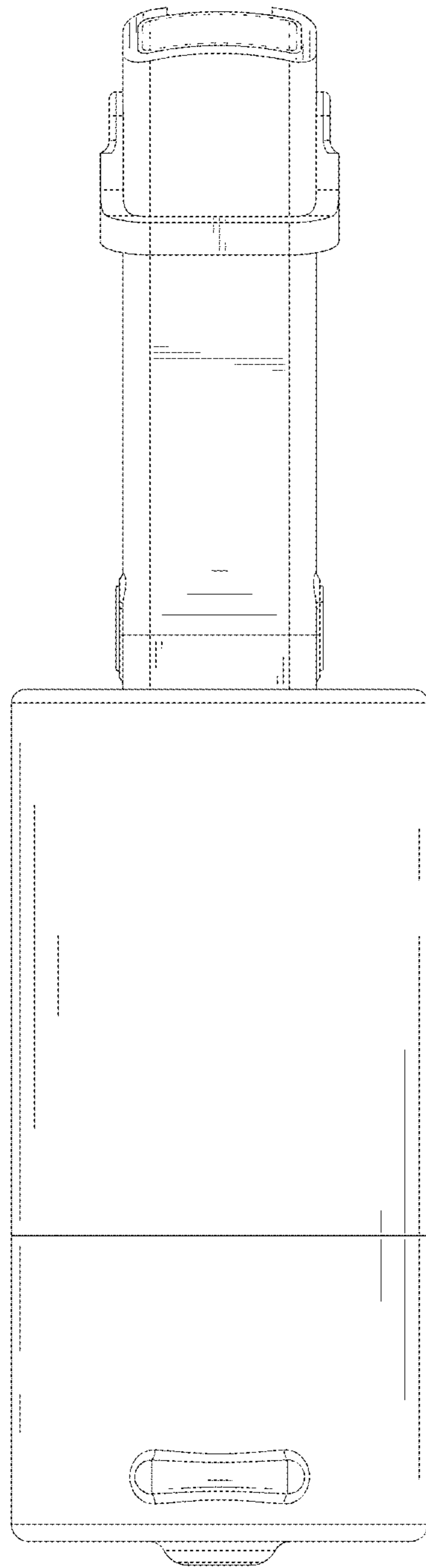


FIG.3

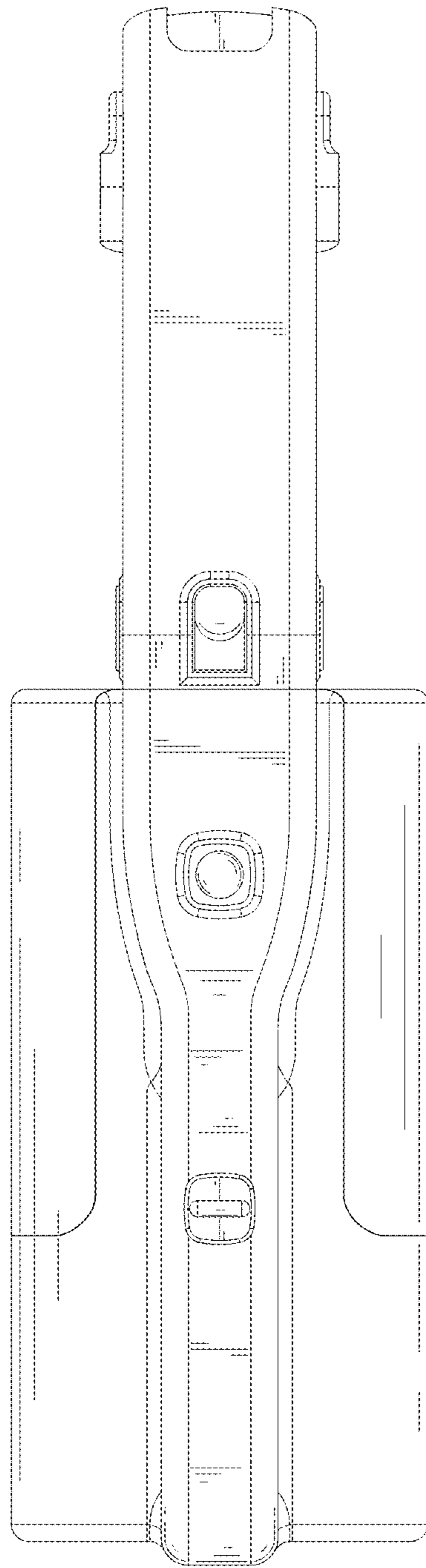


FIG. 4

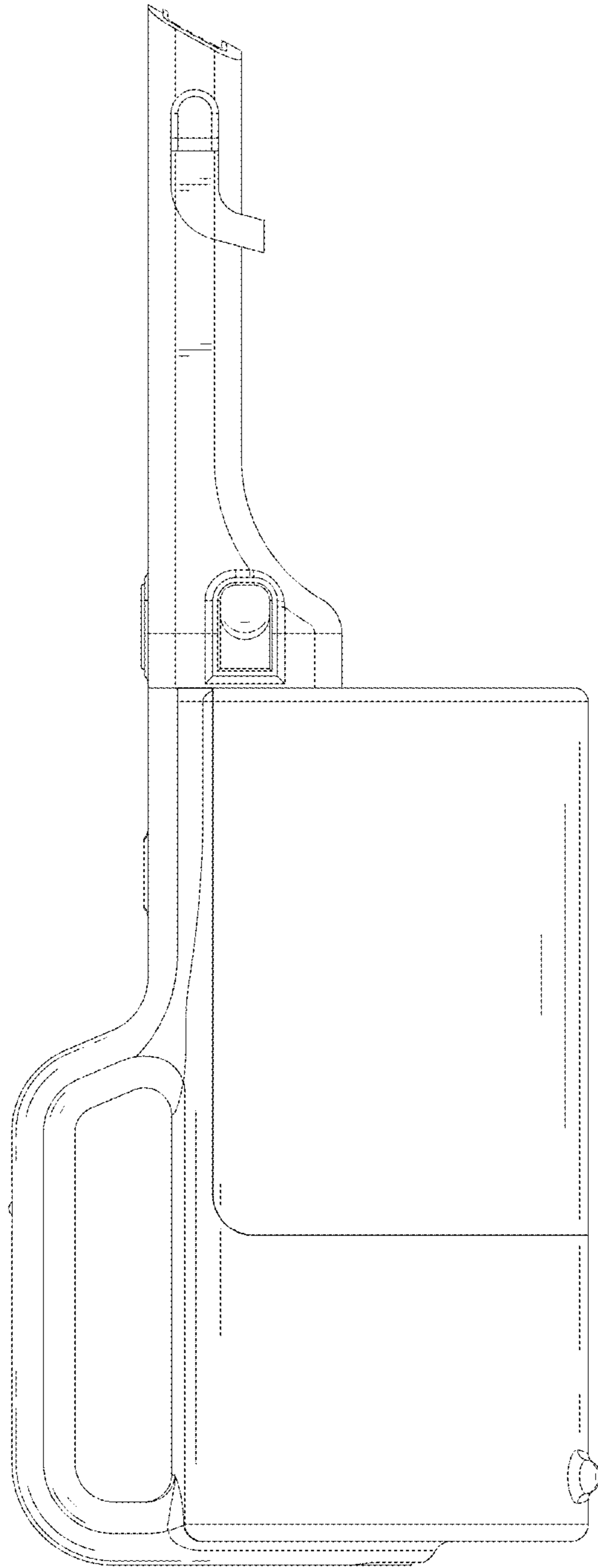


FIG. 5

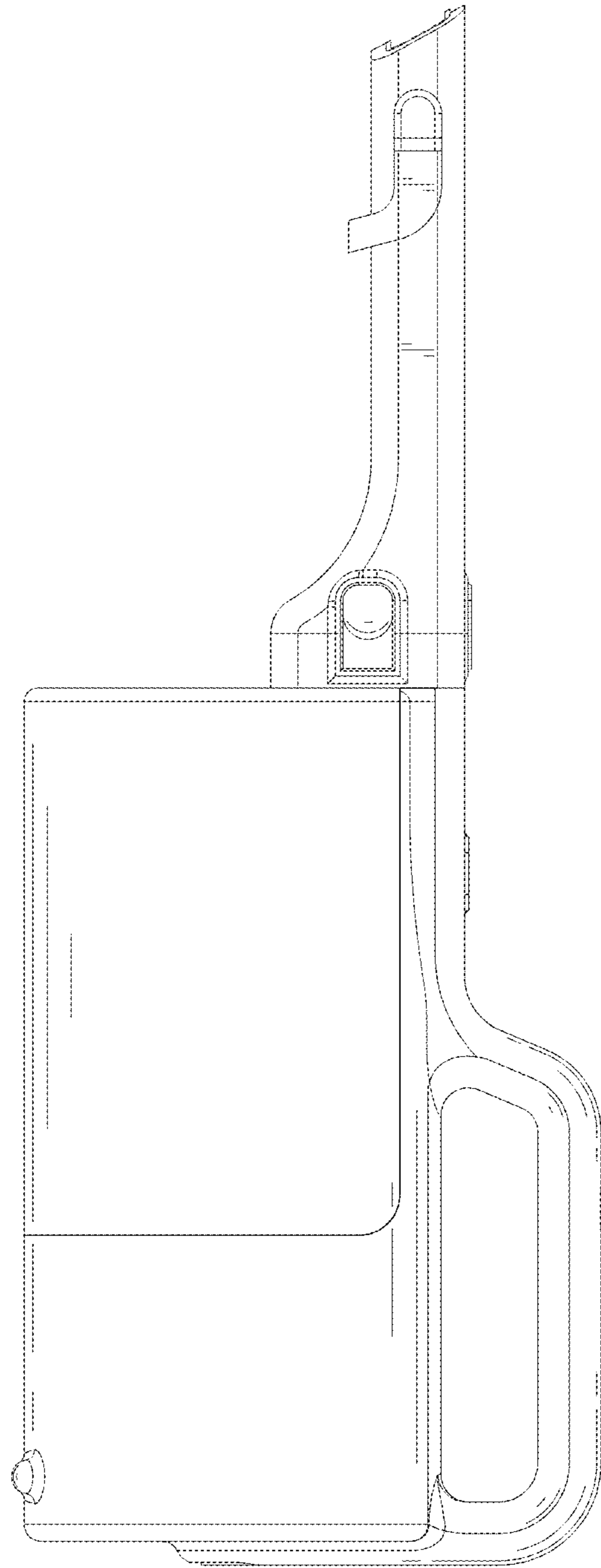


FIG. 6

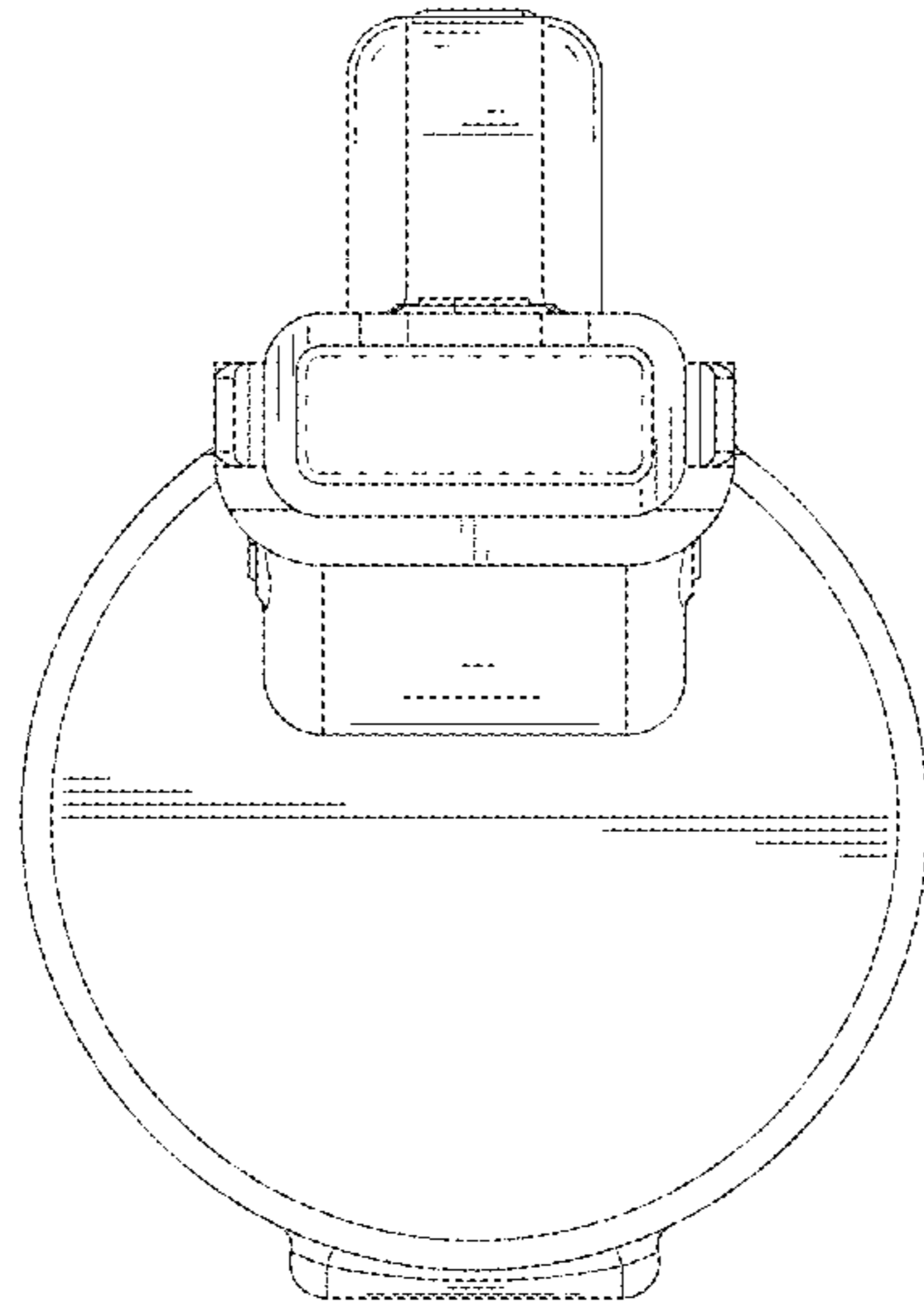


FIG.7

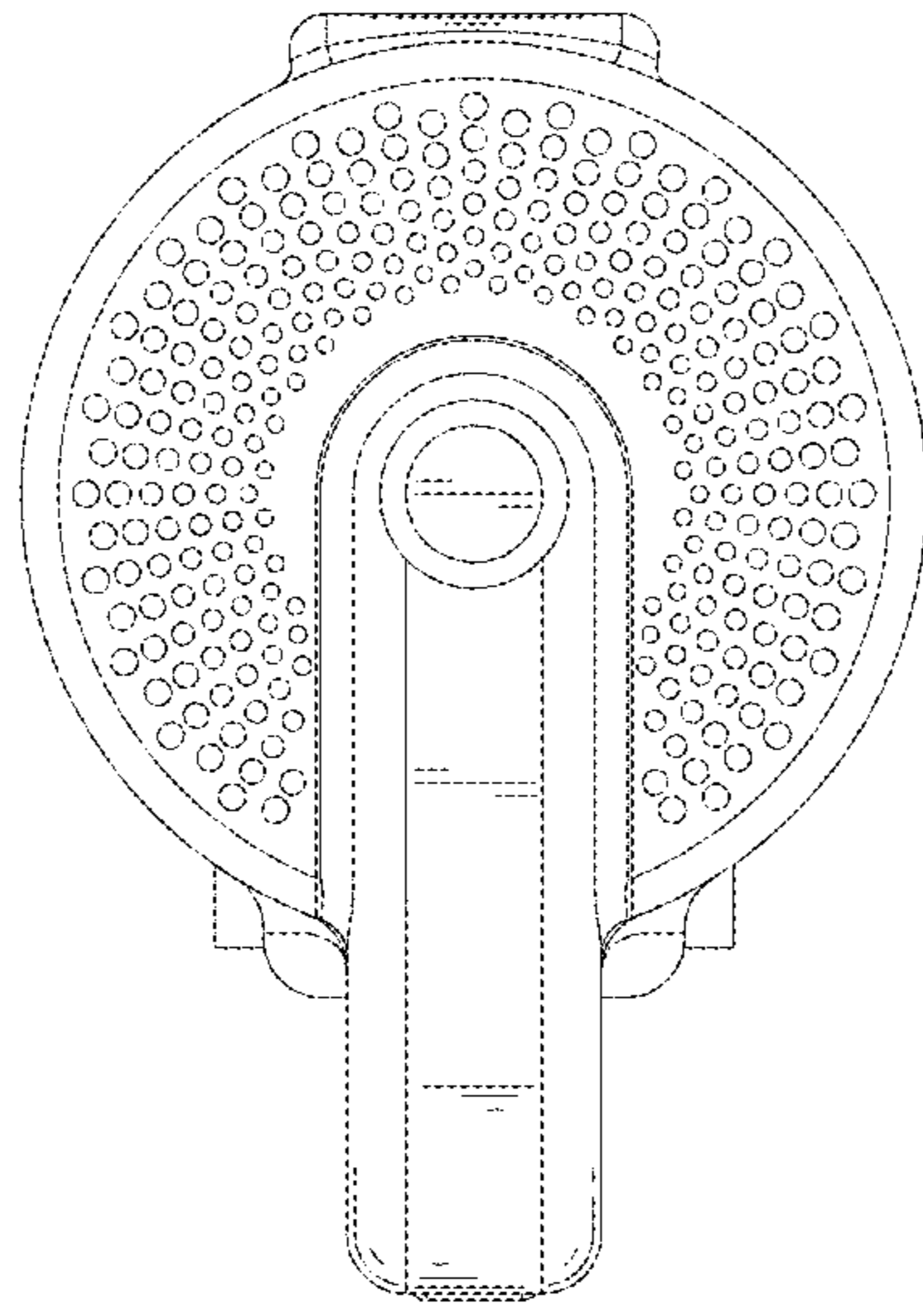


FIG. 8