



US00D980558S

(12) **United States Design Patent**
Reeder et al.

(10) **Patent No.:** **US D980,558 S**
(45) **Date of Patent:** **** Mar. 7, 2023**

(54) **VACUUM CLEANER**
(71) Applicant: **MILWAUKEE ELECTRIC TOOL CORPORATION**, Brookfield, WI (US)

D310,437 S * 9/1990 Gierke D32/18
D326,544 S * 5/1992 Yamamoto D32/15
D368,558 S * 4/1996 Wolfe D32/18

(Continued)

(72) Inventors: **Kyle Reeder**, Waukesha, WI (US);
Jonathan M. Mantes, Franklin, WI (US); **Dalton F. Hansen**, Whitefish Bay, WI (US); **San Sang Chan**, Kowloon (HK)

FOREIGN PATENT DOCUMENTS

CN 307066160 * 1/2022
RU 00075810 * 8/2010

(73) Assignee: **MILWAUKEE ELECTRIC TOOL CORPORATION**, Brookfield, WI (US)

OTHER PUBLICATIONS

Black+Decker PV1820LGB 18 V Lithium-Ion Compact Pivot Vacuum, available in Amazon.co.uk, date first available Apr. 1, 2014 [online], [site visited Feb. 25, 2022], Available from the internet URL: https://www.amazon.co.uk/BLACK-DECKER-Lithium-Ion-Compact-Vacuum/dp/B00IUK8000/ref=sr_1_2 (Year: 2014).*

(Continued)

(**) Term: **15 Years**

Primary Examiner — Jennifer Rivard
Assistant Examiner — Jennylou M Binas
(74) *Attorney, Agent, or Firm* — Michael Best & Friedrich LLP

(21) Appl. No.: **29/727,105**

(22) Filed: **Mar. 9, 2020**

(51) **LOC (14) Cl.** **15-05**

(52) **U.S. Cl.**
USPC **D32/18; D32/21**

(58) **Field of Classification Search**
USPC D32/1, 15, 17, 21, 24, 18; D3/276, 294; D7/605; D13/103–104, 107–110, 116; D14/499; D15/144; D21/526
CPC B08B 3/00; B08B 5/00; B08B 2203/00; B08B 2205/00; B05B 1/00; B05B 3/00; A47L 1/00; A47L 5/00; A47L 7/00; A47L 9/00; A47L 11/00; A47L 13/00; C23G 1/00; C23G 3/00; C23G 5/00
See application file for complete search history.

(57) **CLAIM**

We claim the ornamental design for a vacuum cleaner, as shown and described.

DESCRIPTION

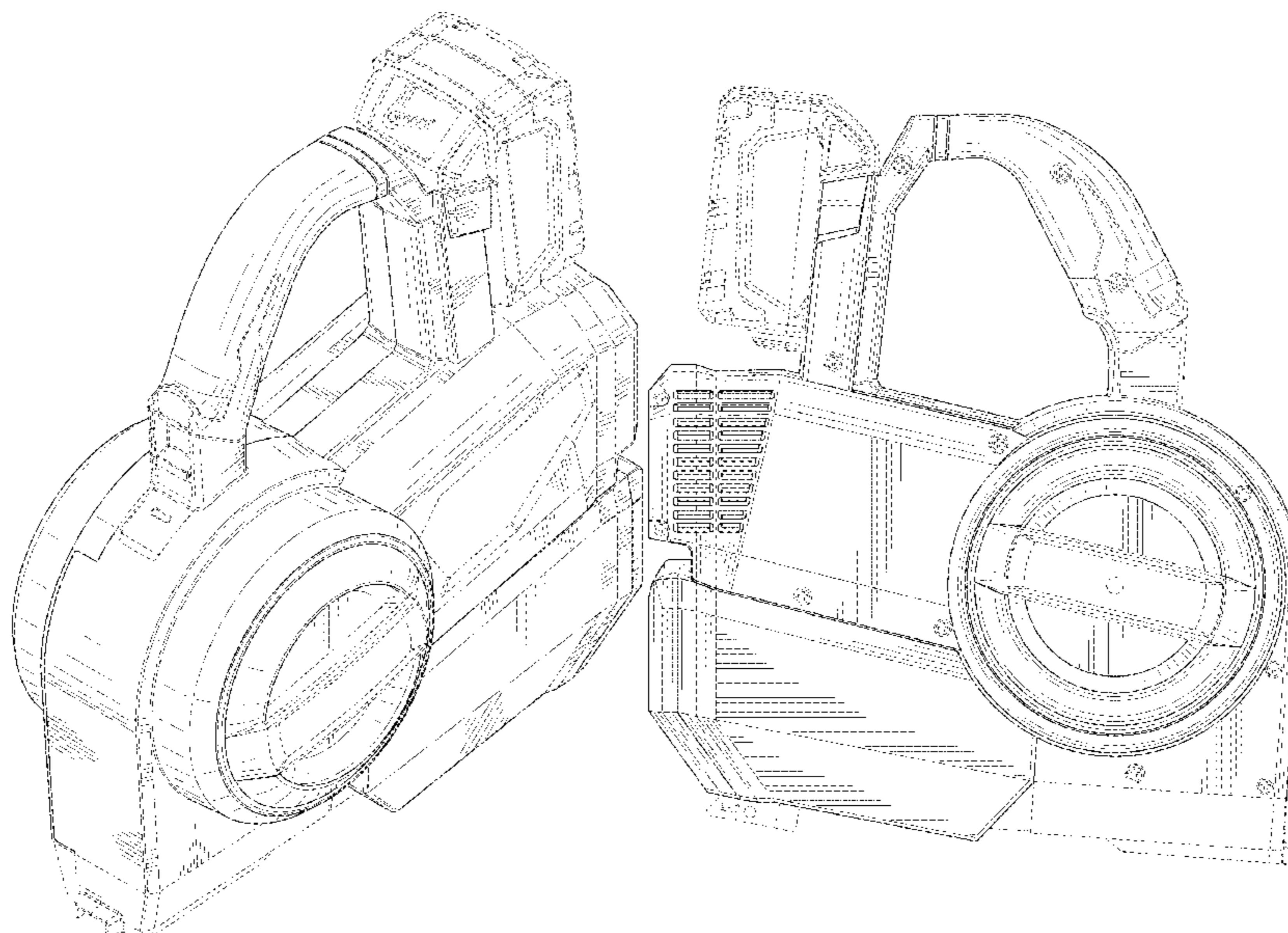
FIG. 1 is a top, front right perspective view of a vacuum cleaner showing the new design.
FIG. 2 is a front view of the vacuum cleaner of FIG. 1.
FIG. 3 is a bottom view of the vacuum cleaner of FIG. 1.
FIG. 4 is a right side view of the vacuum cleaner of FIG. 1.
FIG. 5 is a left side view of the vacuum cleaner of FIG. 1.
FIG. 6 is a top view of the vacuum cleaner of FIG. 1; and, FIG. 7 is a rear view of the vacuum cleaner of FIG. 1.
The elements shown in broken lines are included for the purpose of showing portions of the vacuum cleaner that form no part of the claimed design.

(56) **References Cited**

U.S. PATENT DOCUMENTS

1,861,261 A * 5/1932 Jessef A47L 5/24
D32/18
D303,170 S * 8/1989 Hirano D32/18
D307,655 S * 5/1990 Hinklin D32/18

1 Claim, 7 Drawing Sheets



(56)

References Cited

U.S. PATENT DOCUMENTS

D400,322 S * 10/1998 Webster D32/18
D430,365 S * 8/2000 Roberts D32/18
D536,492 S * 2/2007 Rosenzweig A47L 11/4086
D32/18
D552,309 S * 10/2007 Houghton D32/18
D620,209 S * 7/2010 Crawley D32/18
D653,823 S * 2/2012 Kim D32/21
D659,309 S * 5/2012 Benacquisto D32/18
D668,405 S * 10/2012 Crawley D32/18
D724,798 S * 3/2015 Carter D32/18
D726,383 S * 4/2015 Milligan D32/18
D825,121 S * 8/2018 Kahn D32/21
D905,358 S * 12/2020 Suzuki D32/21
D905,359 S * 12/2020 Sun D32/21
D925,846 S * 7/2021 Rougher D32/18
2021/0153706 A1 * 5/2021 Reeder A47L 9/1666

OTHER PUBLICATIONS

Milwaukee Fuel M18 Compact Vacuum Review 0940-20 Certified Washable HEPA Filter, announced in YouTube on Dec. 14, 2020 [online], [site visited Feb. 25, 2022], Available from the internet URL: Milwaukee Fuel M18 Compact Vacuum Review 0940-20 Certified Washable HEPA Filter (Year: 2020).*

* cited by examiner

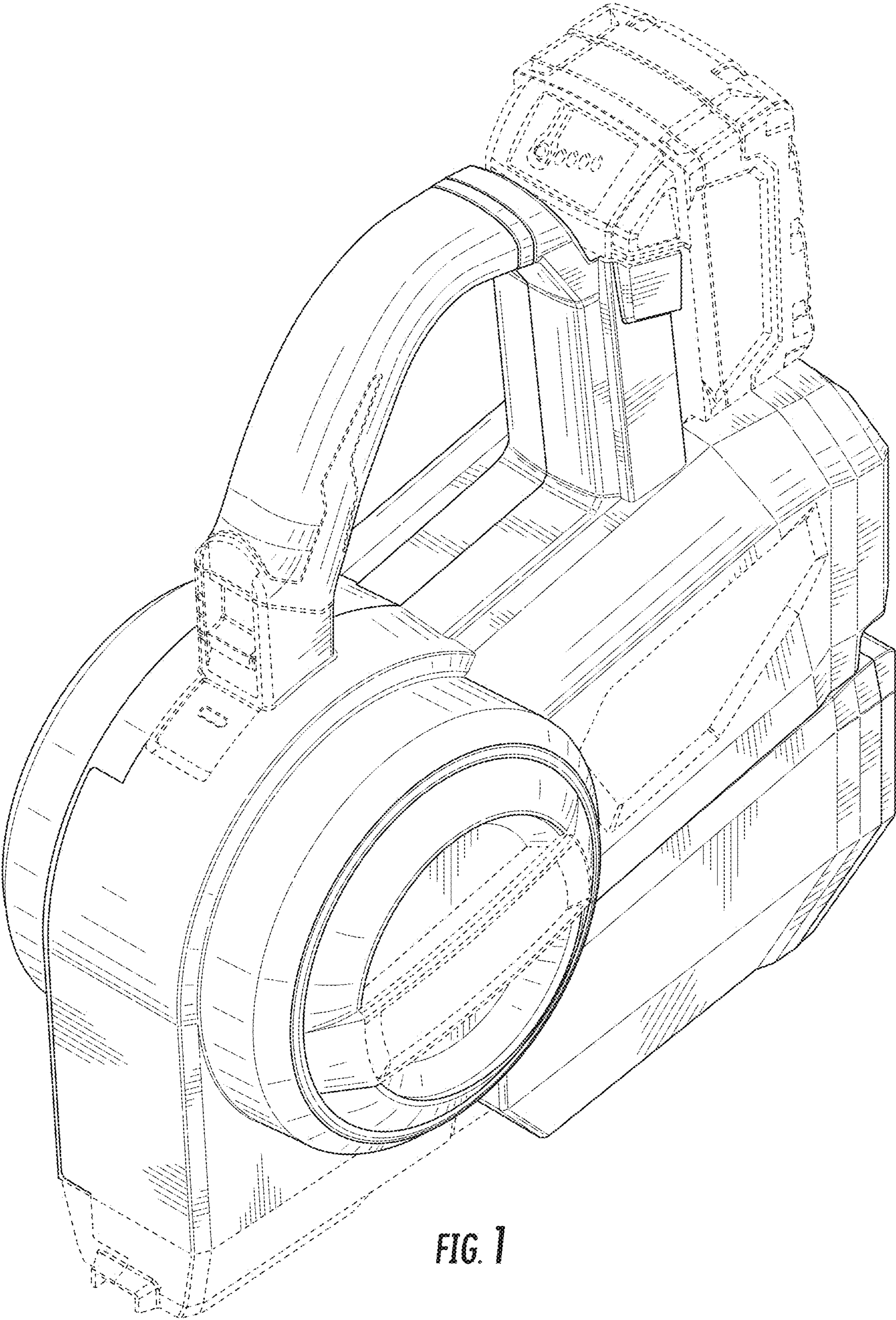


FIG. 1

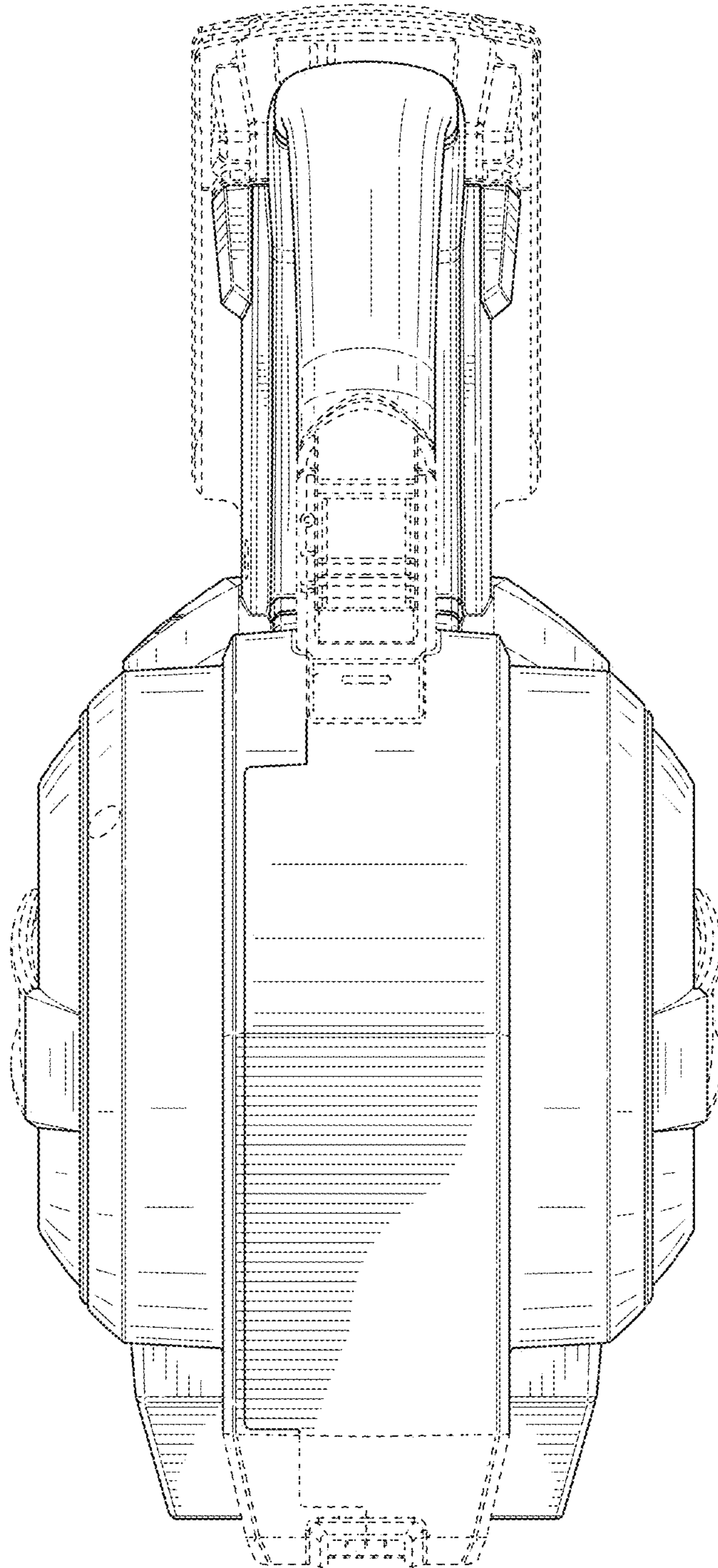


FIG. 2

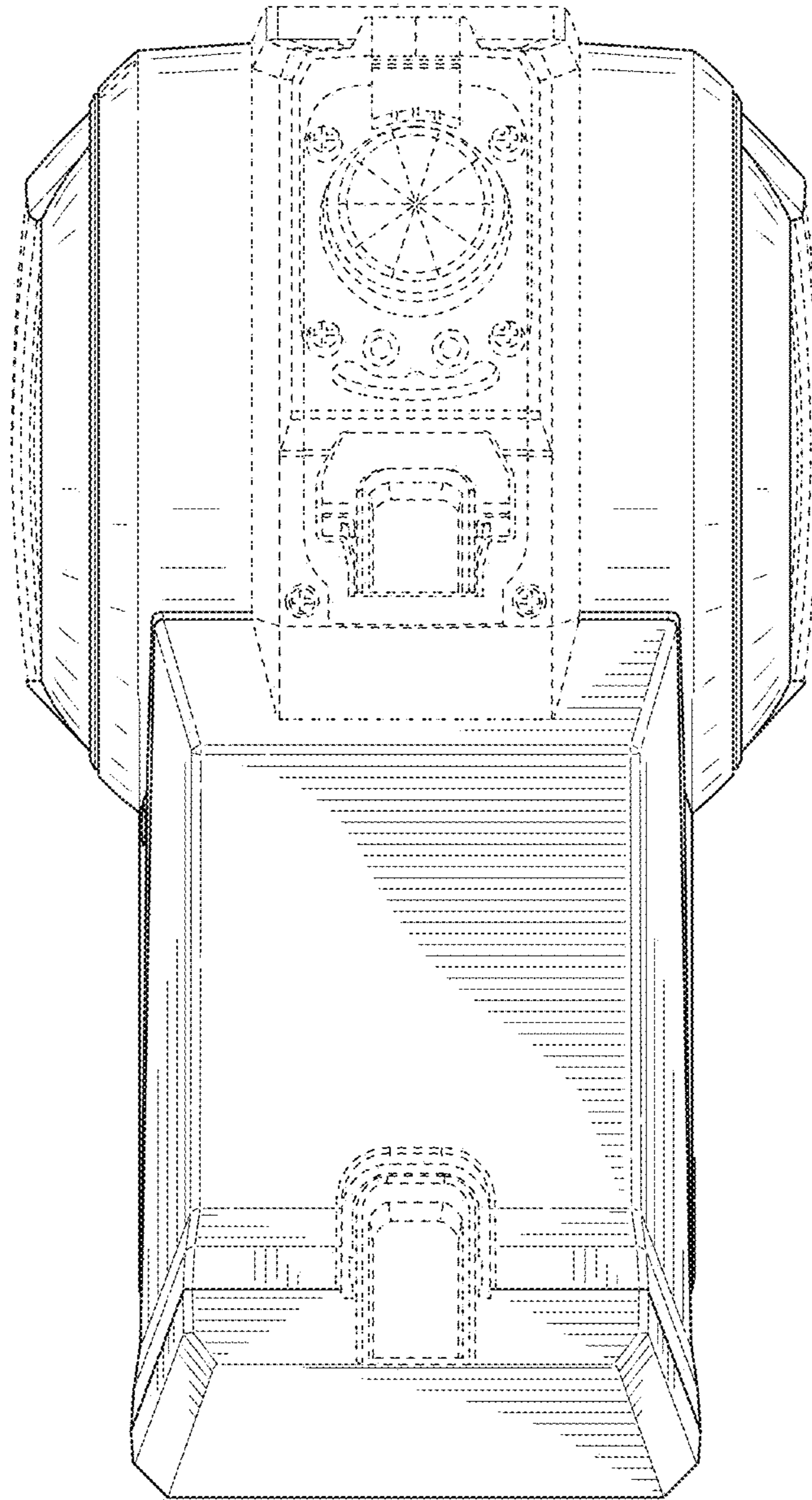


FIG. 3

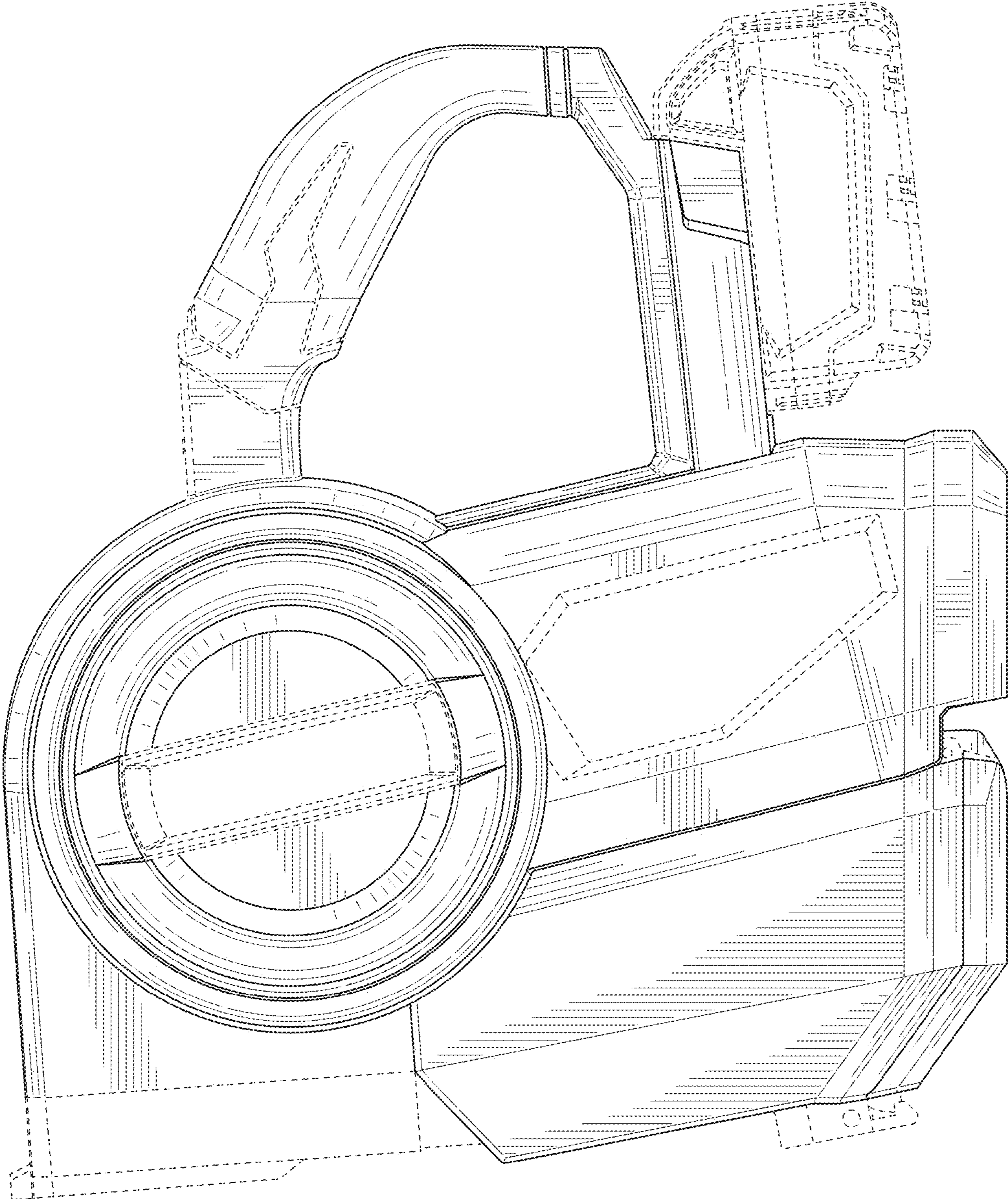


FIG. 4

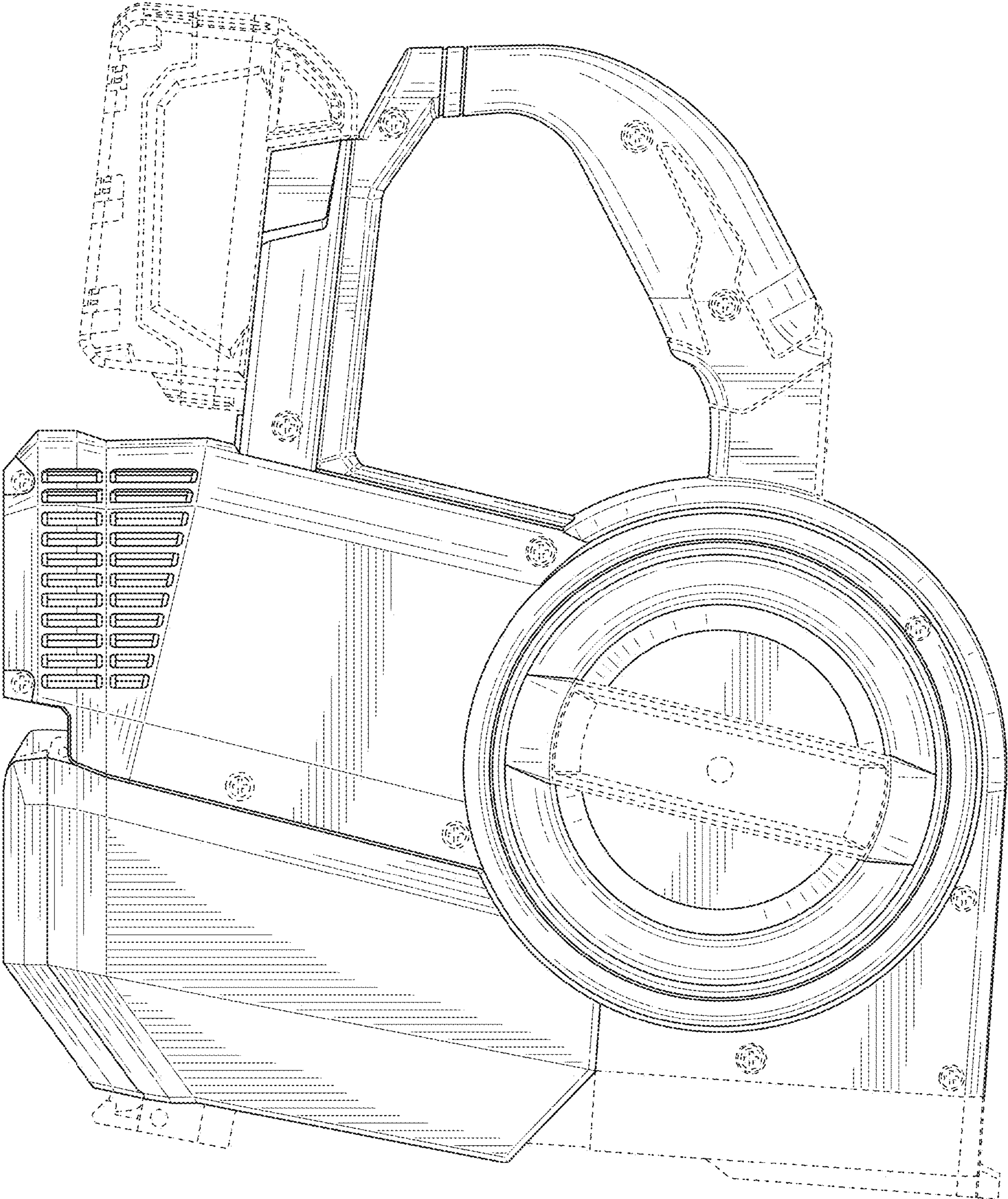


FIG. 5

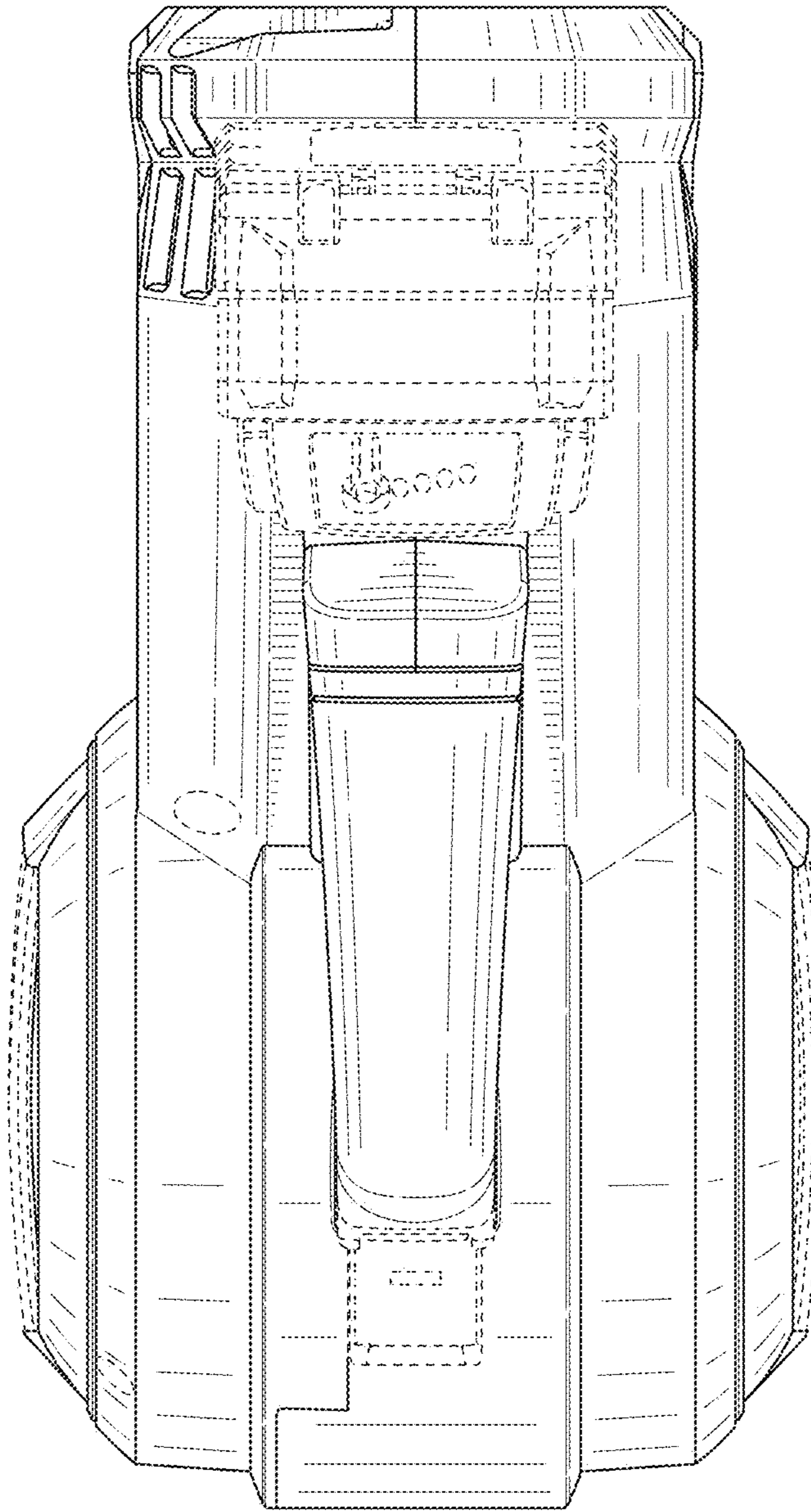


FIG. 6

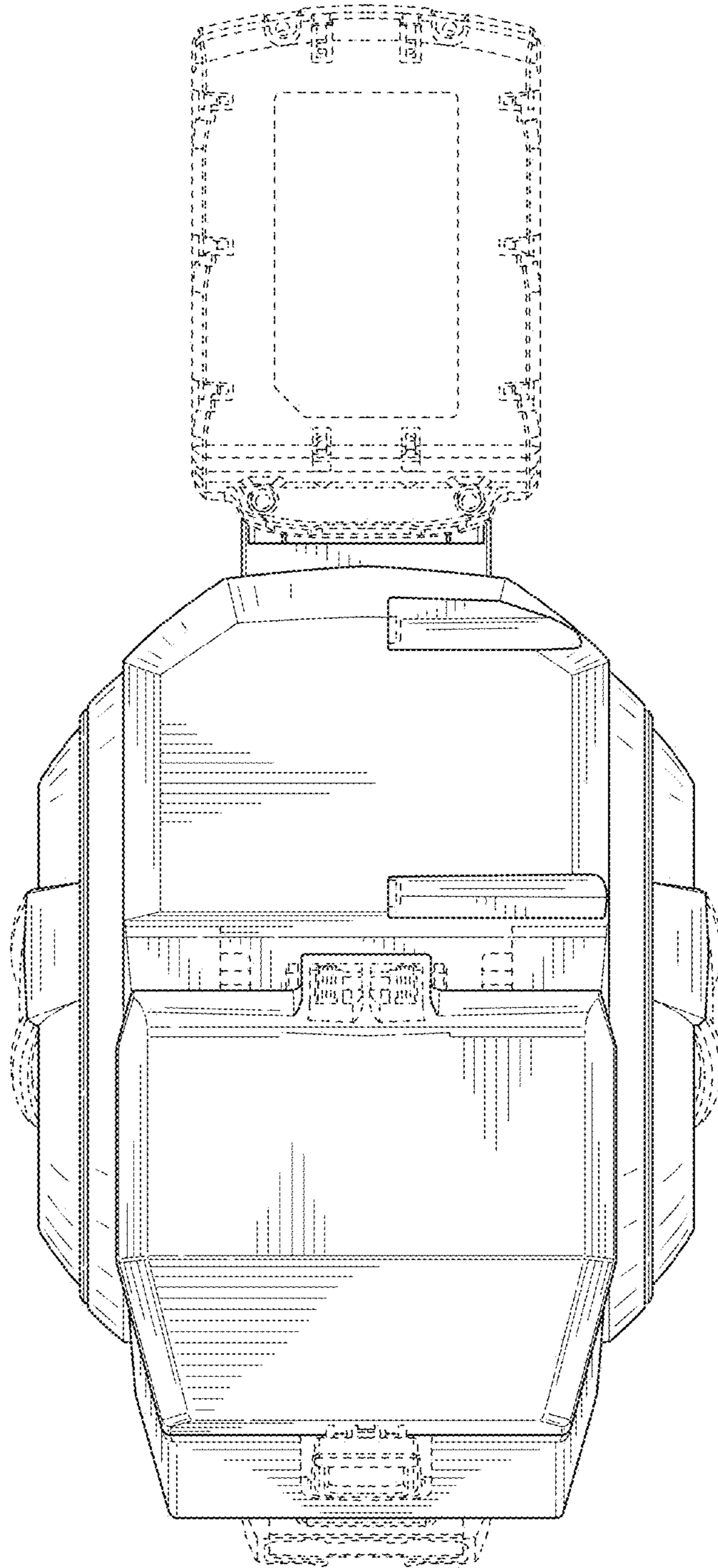


FIG. 7