



US00D980557S

(12) **United States Design Patent**
Zhou

(10) **Patent No.:** **US D980,557 S**

(45) **Date of Patent:** **** Mar. 7, 2023**

(54) **CLEANING APPARATUS**

(71) Applicant: **Shenzhen Zhengling Network System Co., LTD, Shenzhen (CN)**

(72) Inventor: **Qinbing Zhou, Shenzhen (CN)**

(73) Assignee: **Shenzhen Zhengling Network System Co., LTD, Shenzhen (CN)**

(**) Term: **15 Years**

(21) Appl. No.: **29/846,745**

(22) Filed: **Jul. 19, 2022**

(30) **Foreign Application Priority Data**

Apr. 7, 2022 (CN) 202230192451.5

(51) **LOC (14) Cl.** **15-05**

(52) **U.S. Cl.**
USPC **D32/1**

(58) **Field of Classification Search**
USPC D4/116, 118, 119, 121, 133-138;
D6/534; D24/217; D28/12, 54.1;
D32/1, 25, 35, 52
CPC ... A46B 5/02; A46B 7/023; A46B 2200/3026;
A46B 2200/30
See application file for complete search history.

(56) **References Cited**

U.S. PATENT DOCUMENTS

D319,875 S *	9/1991	Lackey	D24/217
D420,807 S *	2/2000	Ottoman	D4/119
D424,304 S *	5/2000	Suzuki	D10/2
D566,443 S *	4/2008	Hutchins	D6/534
D567,509 S *	4/2008	Kao	D4/135
D568,050 S *	5/2008	Huang	D4/120
D598,201 S	8/2009	Benson et al.		
D640,427 S *	6/2011	Lamparelli	D32/1
D640,471 S *	6/2011	Lin	D4/120
D676,603 S *	2/2013	Ishikawa	D28/54.1

D687,653 S *	8/2013	Giovannoni	D6/545
D798,516 S *	9/2017	Kosukegawa	D32/35
D898,378 S	10/2020	Beck et al.		
D906,690 S *	1/2021	Beck	D4/137

(Continued)

FOREIGN PATENT DOCUMENTS

CN 307421568 * 6/2022

OTHER PUBLICATIONS

Amazon.com 7 in 1 Electronic Cleaner Kit (Oct. 6, 2022) https://www.amazon.com/dp/B0BHHQGVTT/ref=sspa_dk_detail_4 (Year: 2022).*

(Continued)

Primary Examiner — Kevin K Rudzinski
Assistant Examiner — Richard E Yenchesky
(74) *Attorney, Agent, or Firm* — Jeenam Park

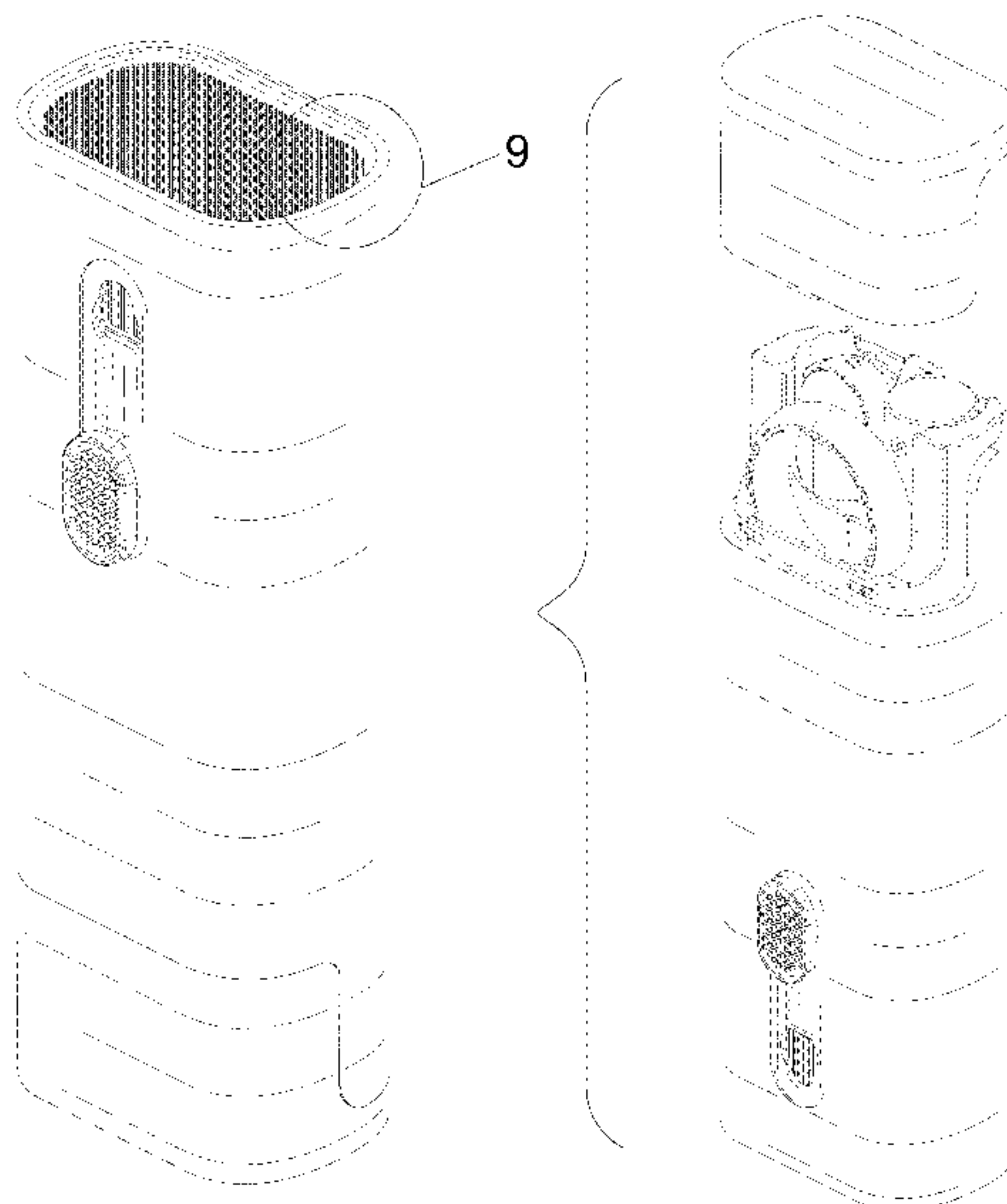
(57) **CLAIM**

The ornamental design for a cleaning apparatus, as shown and described.

DESCRIPTION

FIG. 1 is a perspective view of a cleaning apparatus, showing my new design;
FIG. 2 is another perspective view thereof;
FIG. 3 is a front view thereof;
FIG. 4 is a rear view thereof;
FIG. 5 is a left side view thereof;
FIG. 6 is a right side view thereof;
FIG. 7 is an enlarged top plan view thereof;
FIG. 8 is an enlarged bottom plan view thereof;
FIG. 9 is an enlarged view of portion of FIG. 1 thereof; and,
FIG. 10 is a perspective view with the lid open thereof.
The broken lines shown in the drawings illustrate portions of the cleaning apparatus that form no part of the claimed design.

1 Claim, 10 Drawing Sheets



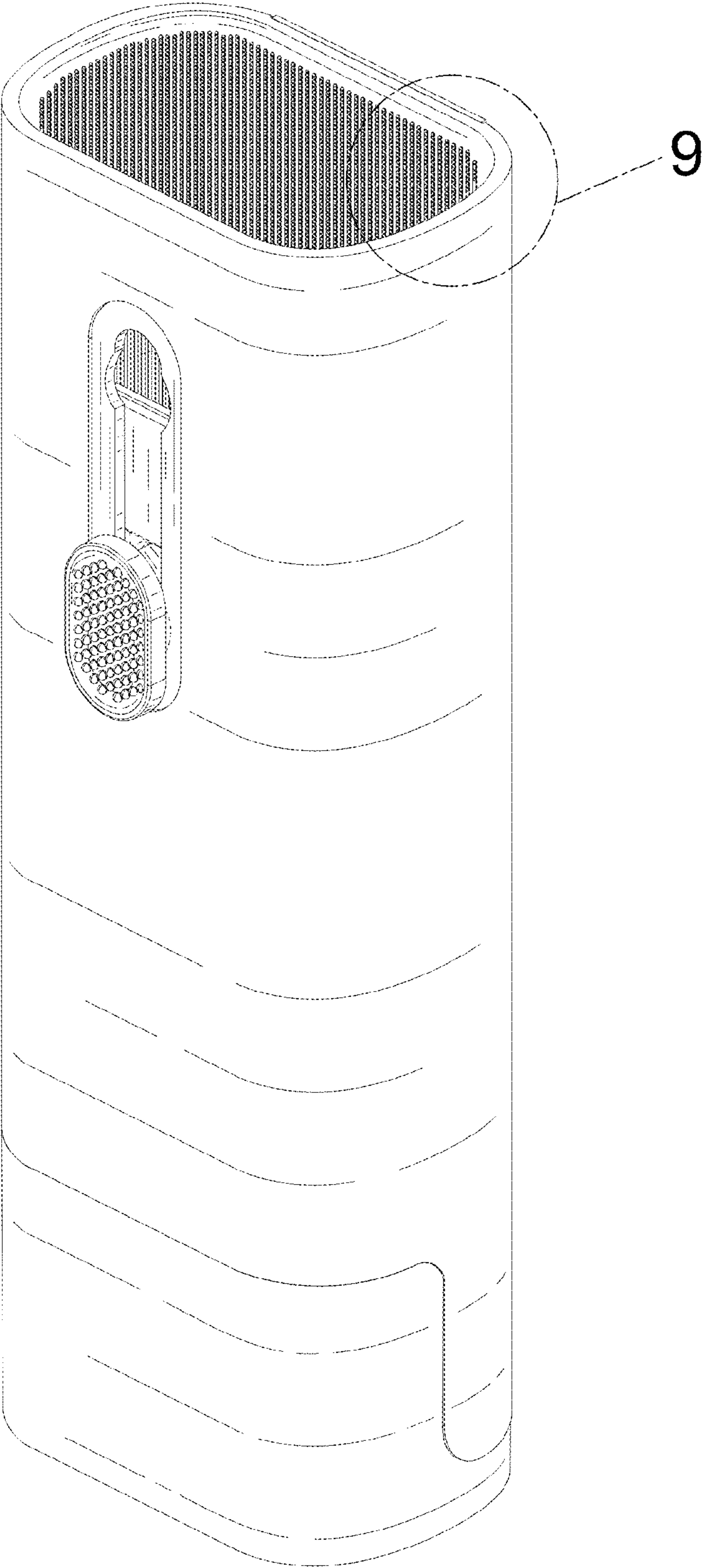


FIG. 1

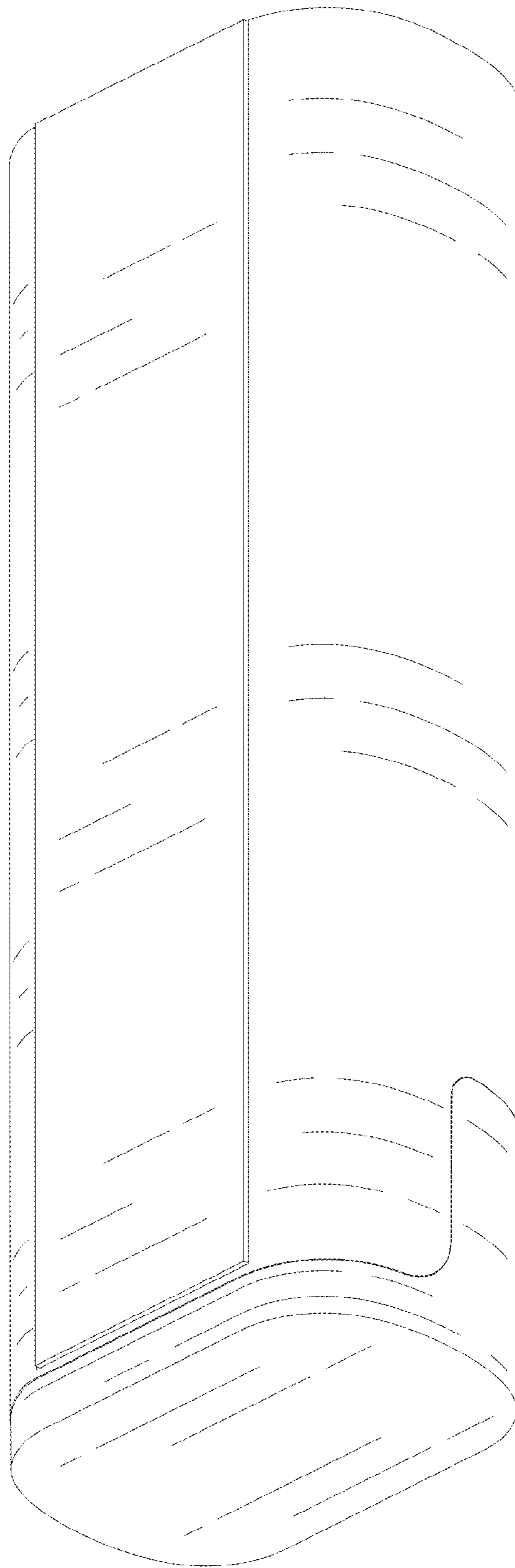


FIG. 2

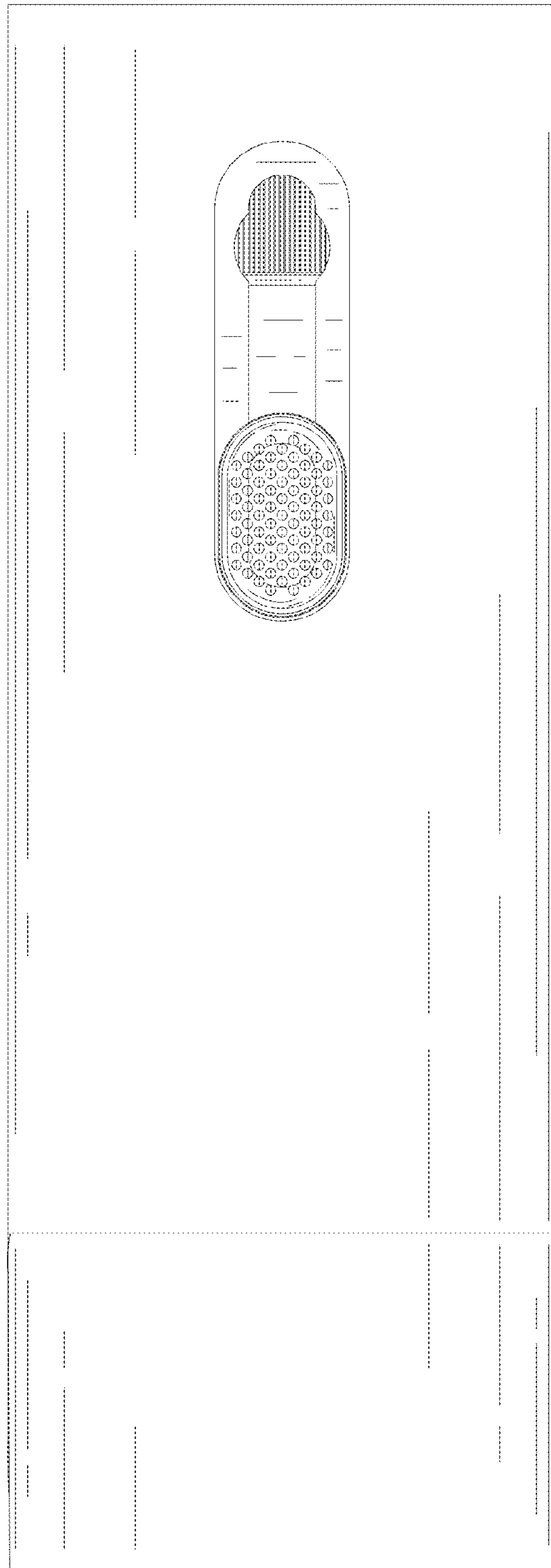


FIG. 3

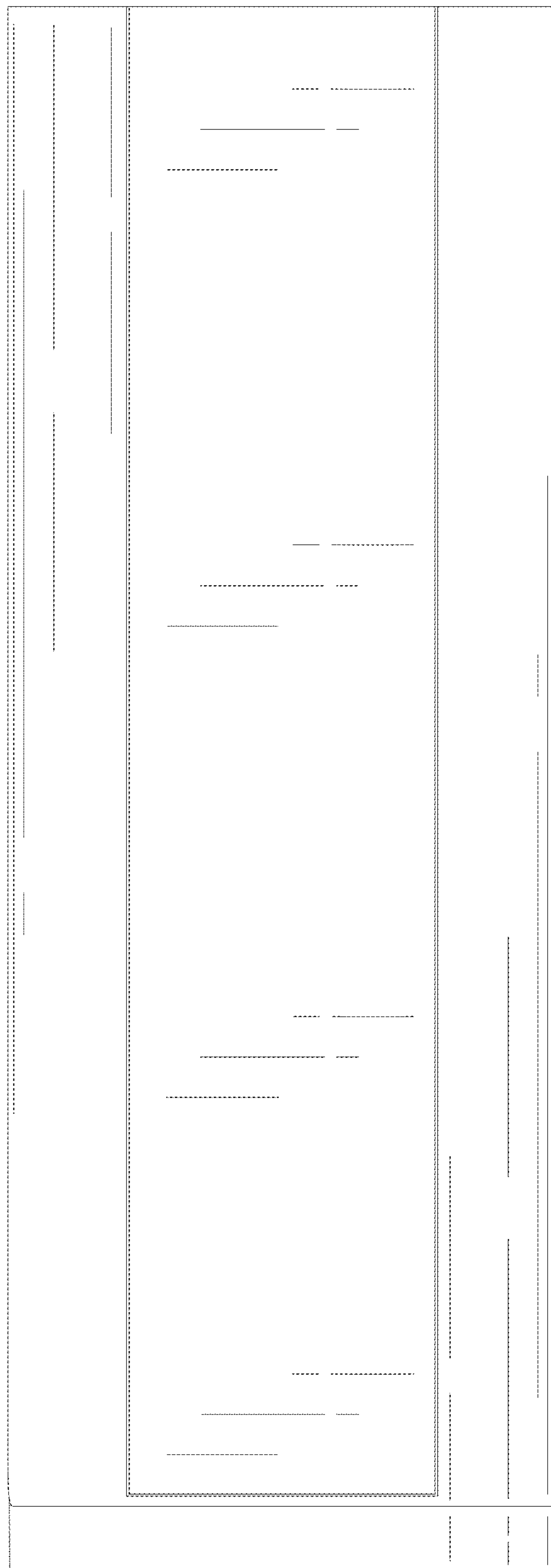


FIG. 4

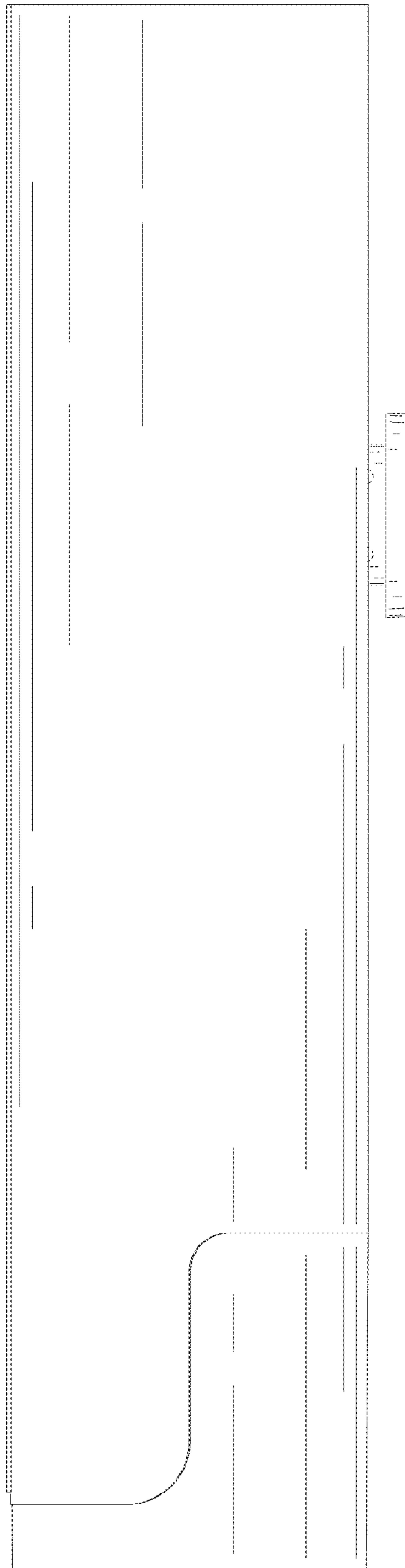


FIG. 5

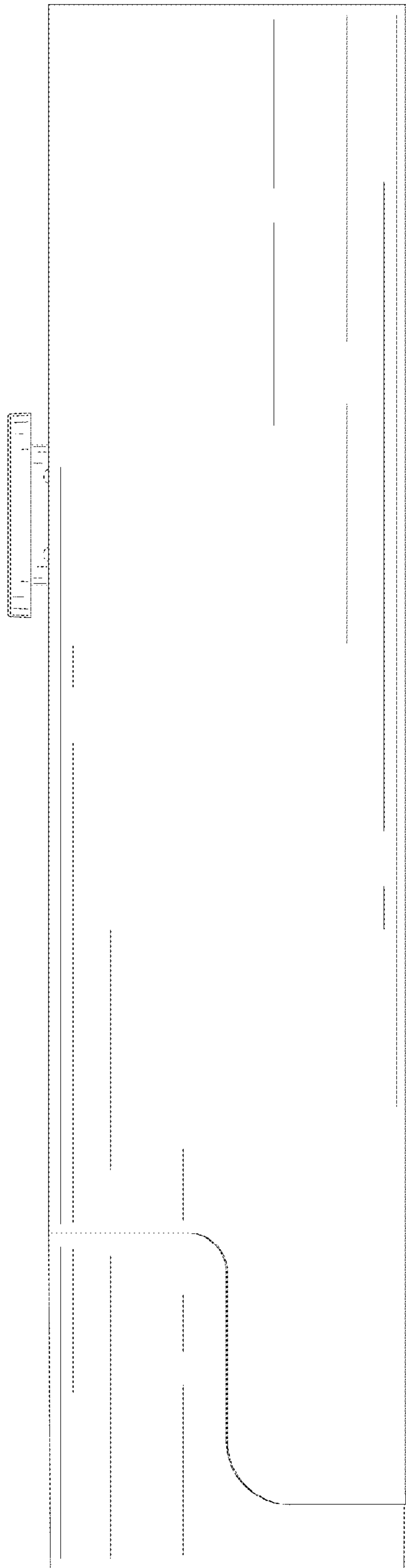


FIG. 6

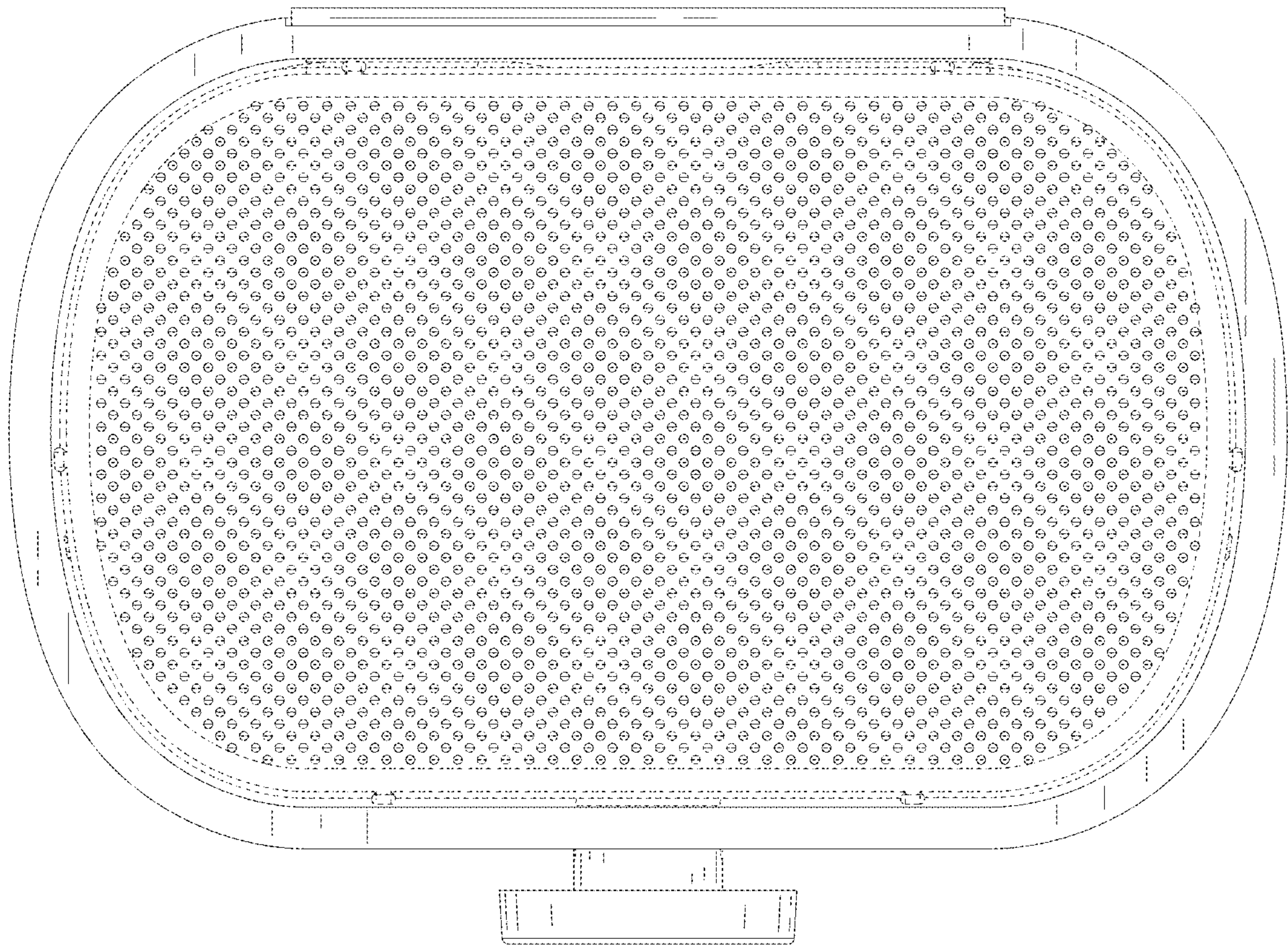


FIG. 7

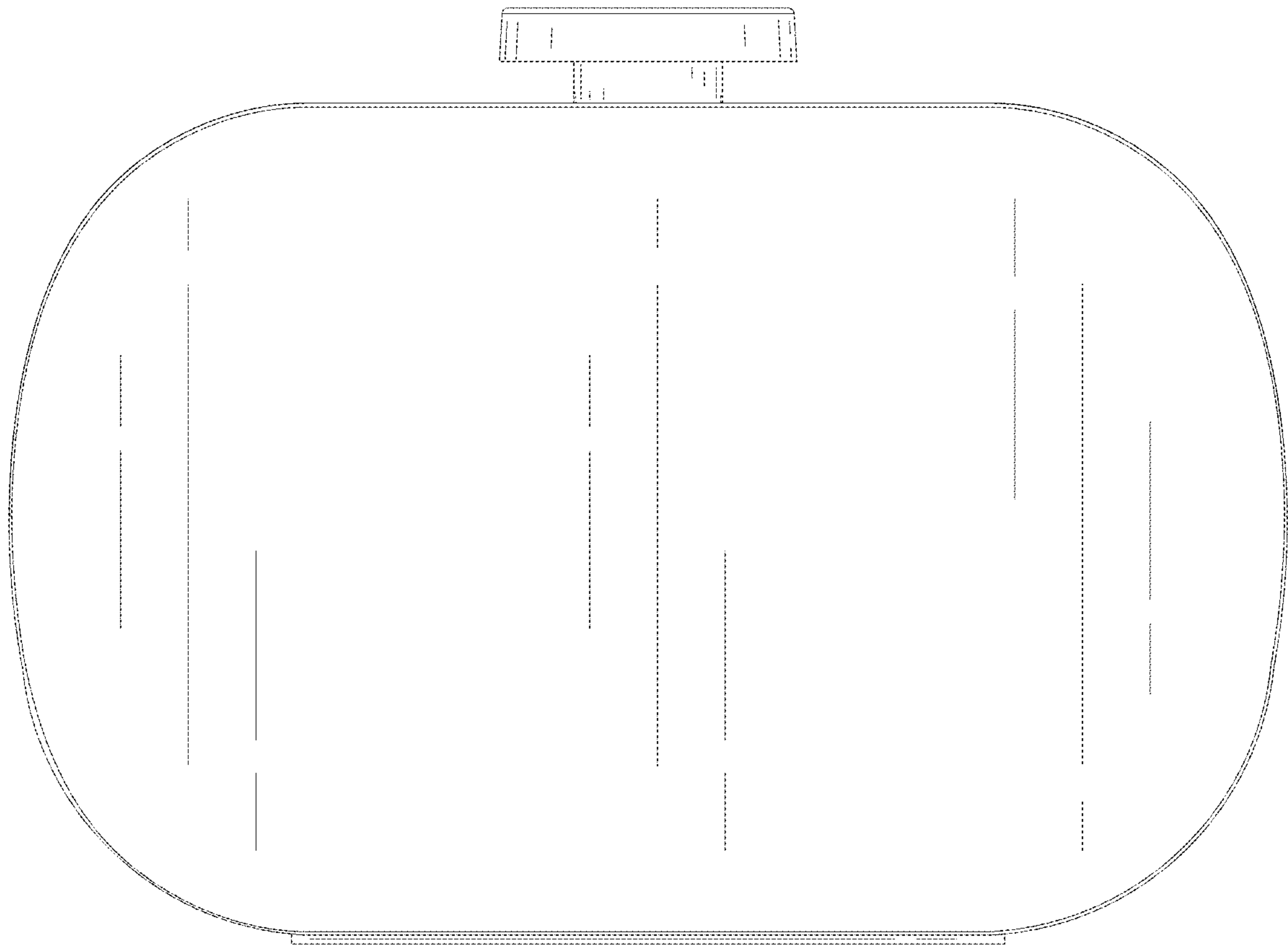


FIG. 8

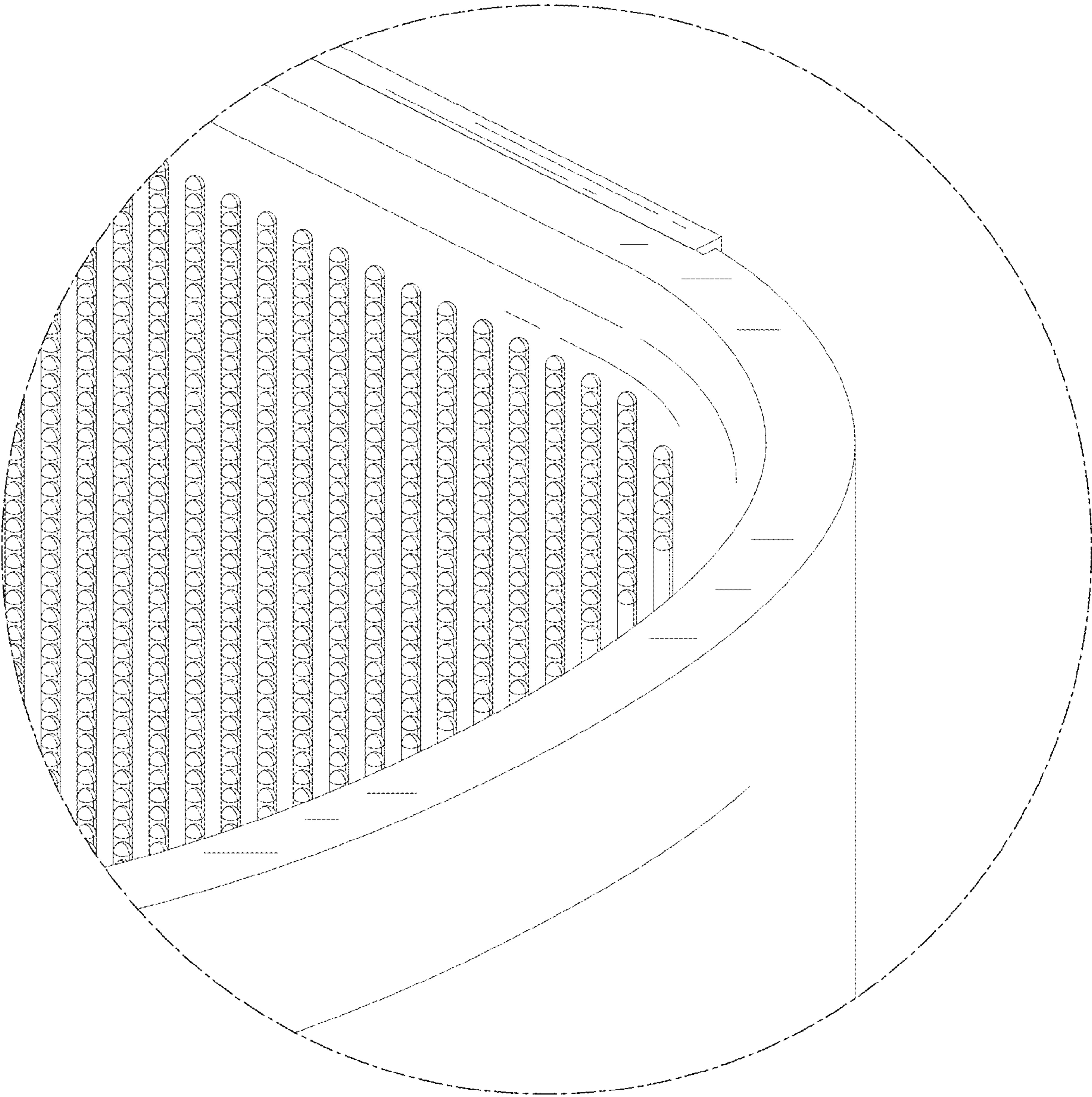


FIG. 9

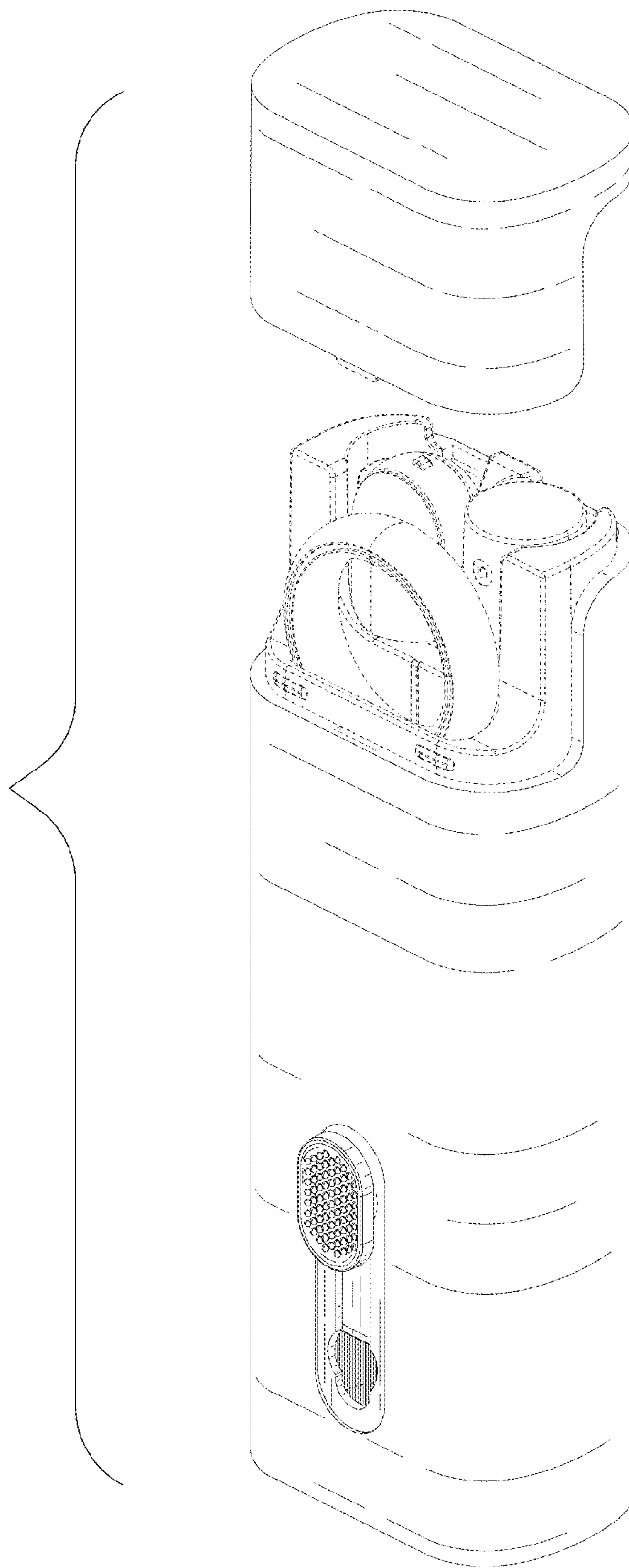


FIG. 10