



US00D980552S

(12) **United States Design Patent**
Jia

(10) **Patent No.:** **US D980,552 S**
(45) **Date of Patent:** **** Mar. 7, 2023**

- (54) **STOP BARKING DEVICE**
- (71) Applicant: **Shenzhen Smart Pet Technology Co., Ltd, Shenzhen (CN)**
- (72) Inventor: **Yaya Jia, Shenzhen (CN)**
- (73) Assignee: **Shenzhen Smart Pet Technology Co., Ltd, Shenzhen (CN)**
- (**) Term: **15 Years**
- (21) Appl. No.: **29/865,169**
- (22) Filed: **Jul. 12, 2022**
- (51) **LOC (14) Cl.** **30-04**
- (52) **U.S. Cl.**
USPC **D30/152**; D14/344; D30/199; D10/104.1
- (58) **Field of Classification Search**
USPC D30/108, 118, 119, 120, 151, 152, 153, D30/160, 199; D10/104.1, 104.2, 105, D10/116.1, 121; D14/341, 344; D22/117, 199
CPC A01K 15/00; A01K 15/021; A01K 15/022; A01K 15/023; A01K 15/029; A01K 27/009; A01K 27/00; A01K 27/001; A01K 27/006; A01K 27/007; A01K 27/008
See application file for complete search history.

- D933,004 S * 10/2021 Li D3/294
- D943,437 S * 2/2022 Abellera D12/174
- D955,251 S * 6/2022 Paterson D10/104.2
- D966,633 S * 10/2022 Jia D10/104.1
- D966,914 S * 10/2022 Abellera D12/174
- D967,567 S * 10/2022 Wei D10/104.1
- D972,791 S * 12/2022 Deng D30/152

OTHER PUBLICATIONS

No Bark Collars for Dogs. Akifohi, amazon.com (online) 11 pages. Posted Jul. 11, 2022. [Retrieved Dec. 6, 2023] <https://a.co/d/0QmVfVo> (Year: 2022).*

Dog Bark Collar Ventoso. Ventoso, amazon.com (online) 13 pages. Posted Sep. 21, 2022. [Retrieved Dec. 6, 2023] <https://a.co/d/5TITdjZ> (Year: 2022).*

(Continued)

Primary Examiner — Kathleen L Jones
Assistant Examiner — Cole Sanders Holman
 (74) *Attorney, Agent, or Firm* — True Shepherd LLC;
 Andrew C. Cheng

(57) **CLAIM**

The ornamental design for a stop barking device, as shown and described.

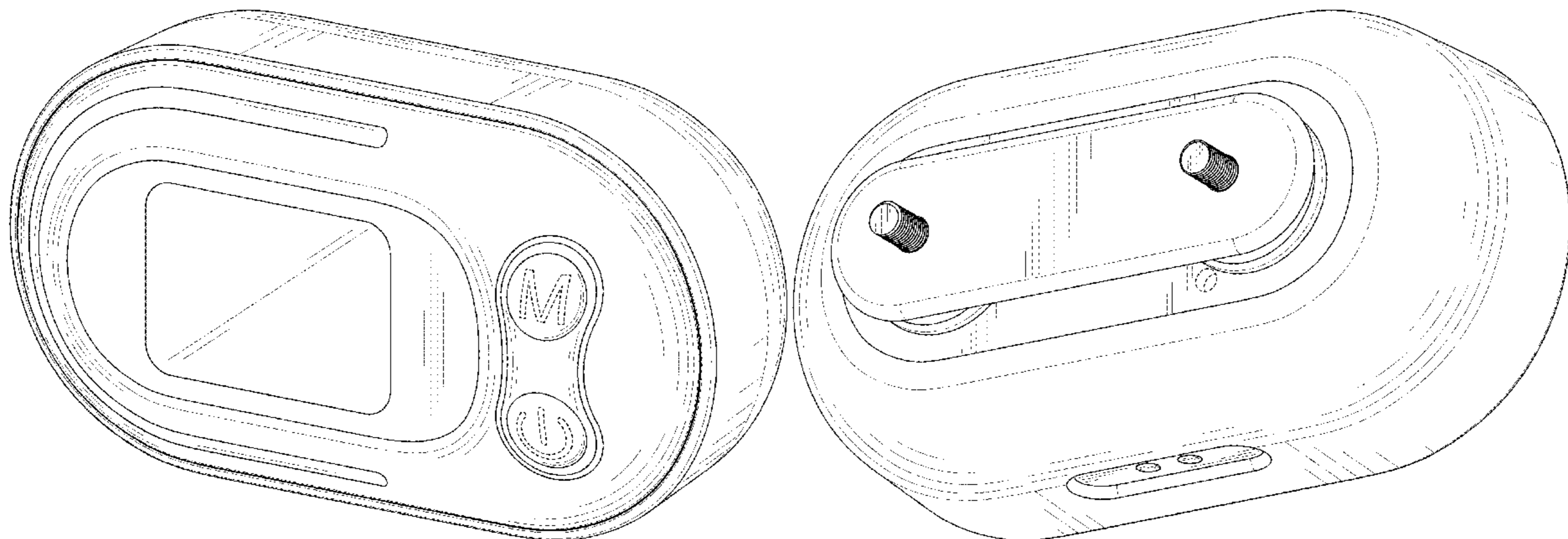
DESCRIPTION

FIG. 1 is a perspective view of a stop barking device showing my new design;
 FIG. 2 is another perspective view thereof;
 FIG. 3 is a front view thereof;
 FIG. 4 is a rear view thereof;
 FIG. 5 is a left side view thereof;
 FIG. 6 is a right side view thereof;
 FIG. 7 is a top plan view thereof; and,
 FIG. 8 is a bottom plan view thereof.
 The broken lines depict portions of the stop barking device and form no part of the claimed design.

1 Claim, 8 Drawing Sheets

(56) **References Cited**
 U.S. PATENT DOCUMENTS

- D631,552 S * 1/2011 Kasabach D24/186
- D710,229 S * 8/2014 Burke D10/104.1
- D713,103 S * 9/2014 Sproviero D30/199
- D773,329 S * 12/2016 Olodort D10/104.1
- D834,769 S 11/2018 Wen
- D838,923 S * 1/2019 Ni D10/104.1
- D872,383 S 1/2020 Darnell et al.
- D888,353 S 6/2020 Lan et al.



(56)

References Cited

OTHER PUBLICATIONS

Dog Bark Collar Vasttron. Vasttron, amazon.com (online) 12 pages.
Posted Nov. 25, 2022. [Retrieved Dec. 6, 2023] <https://a.co/d/25BocMo> (Year: 2022).*

Zlolen Bark Collar for Dogs. Zlolen, amazon.com (online) 8 pages.
Posted Dec. 31, 2022. [Retrieved Dec. 6, 2023] <https://a.co/d/4u6WI8l> (Year: 2022).*

* cited by examiner

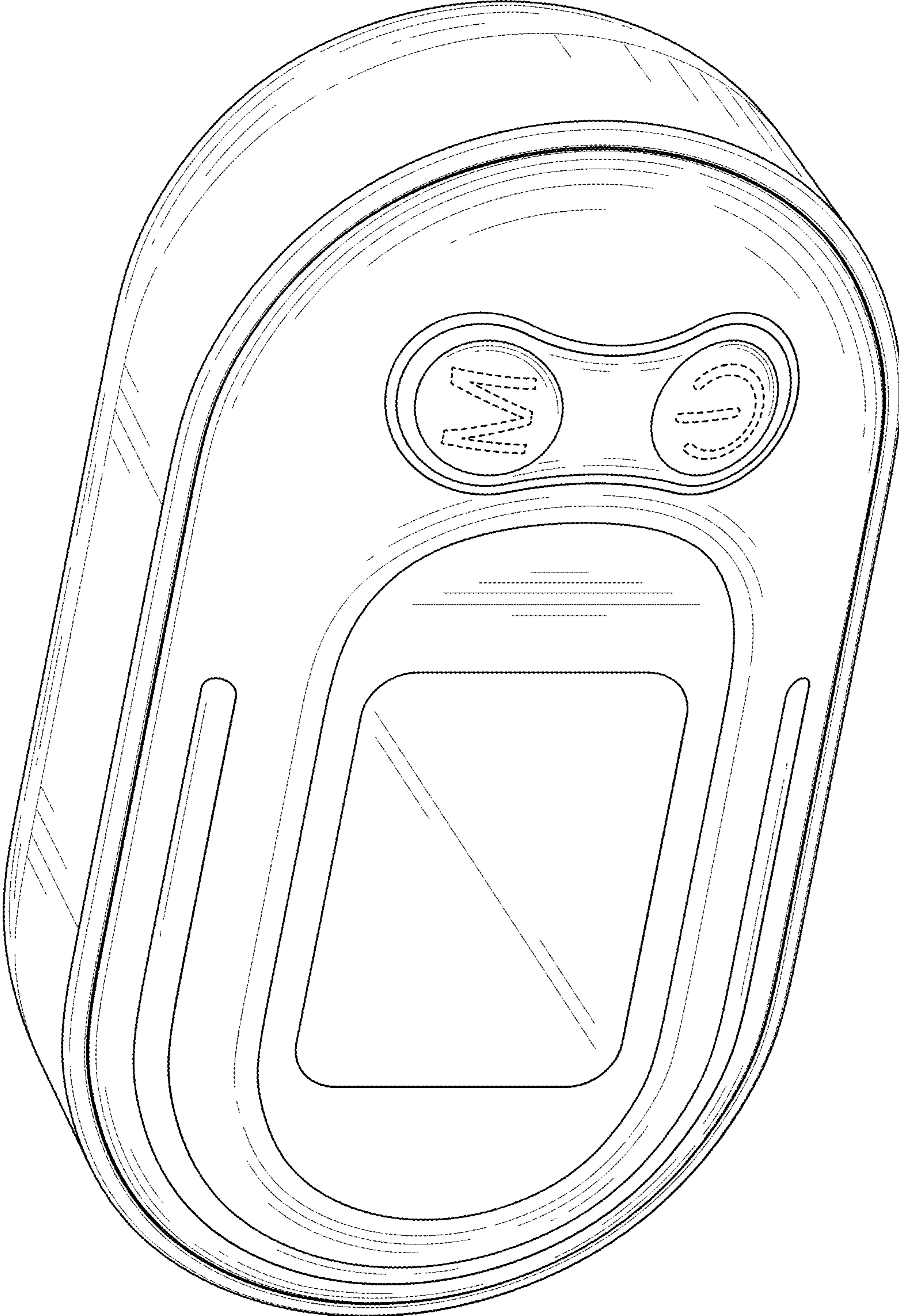


FIG. 1

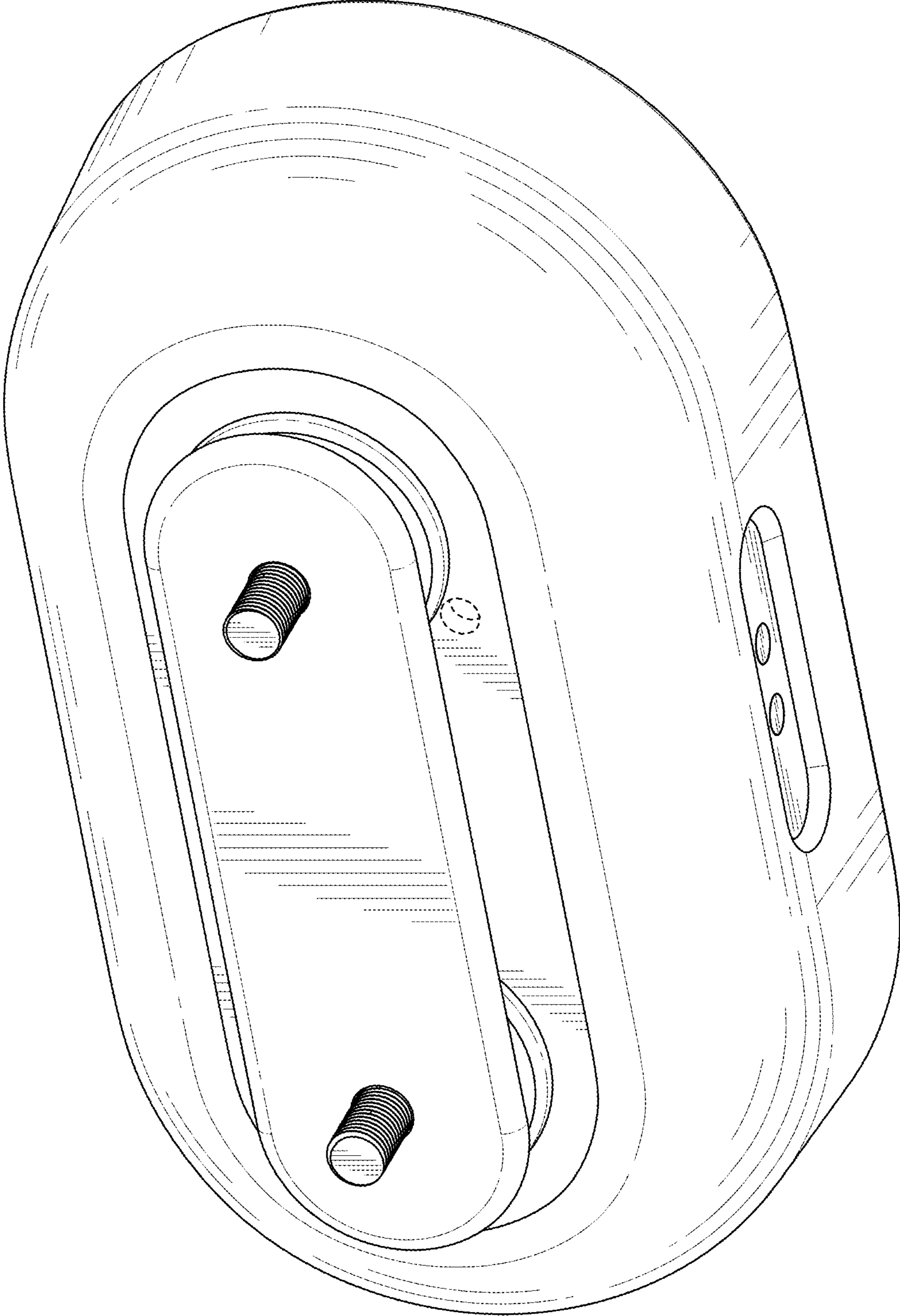


FIG. 2

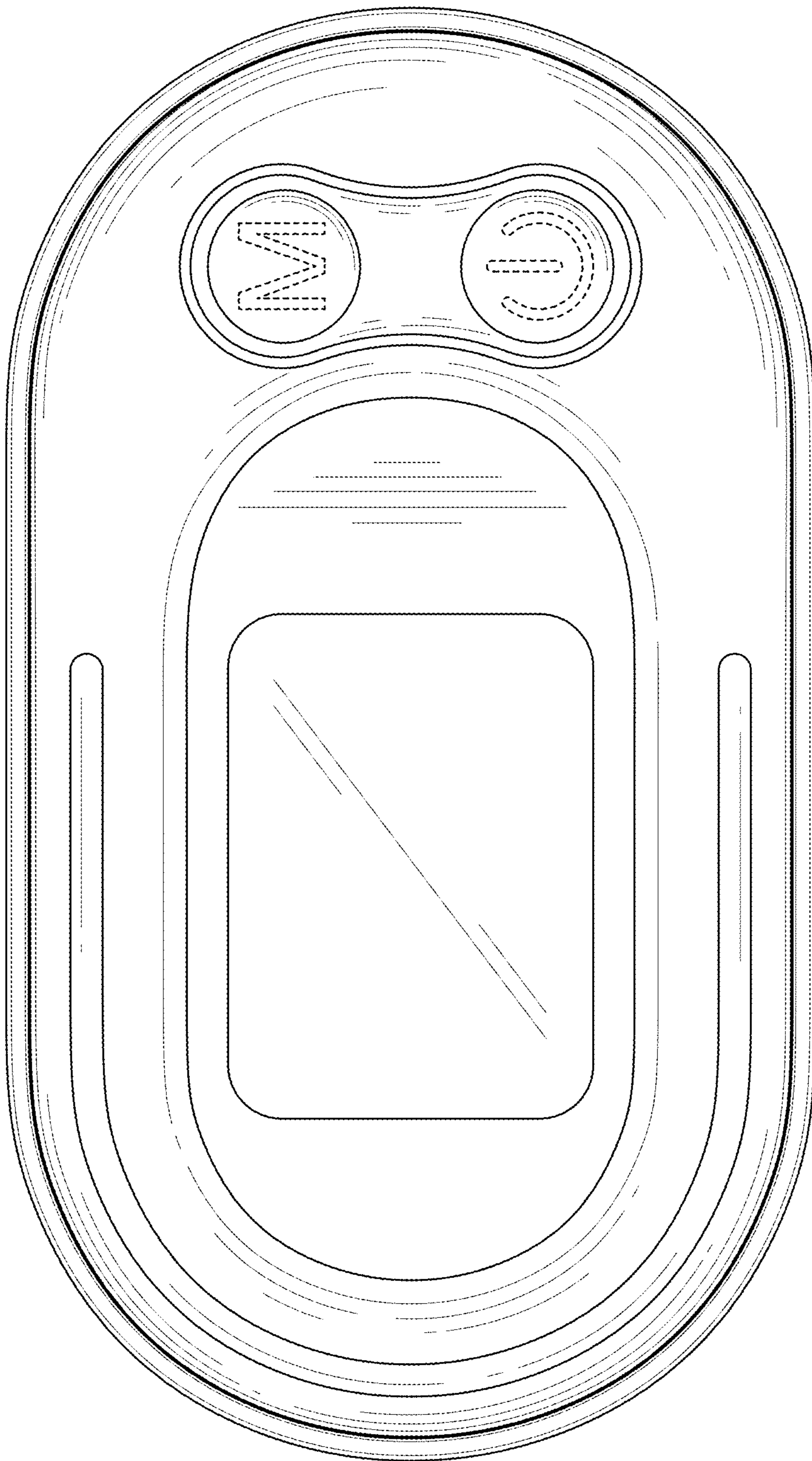


FIG. 3

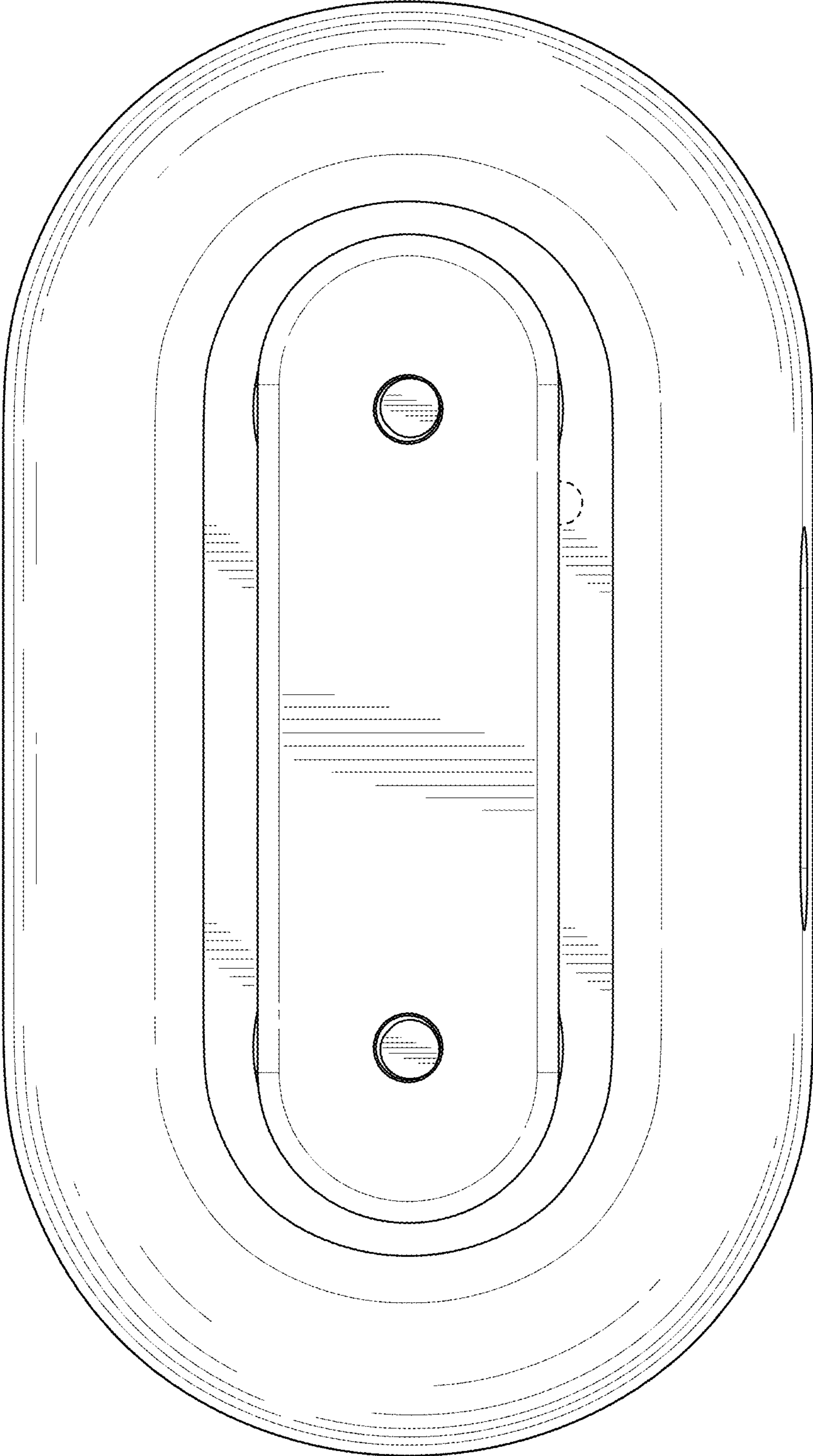


FIG. 4

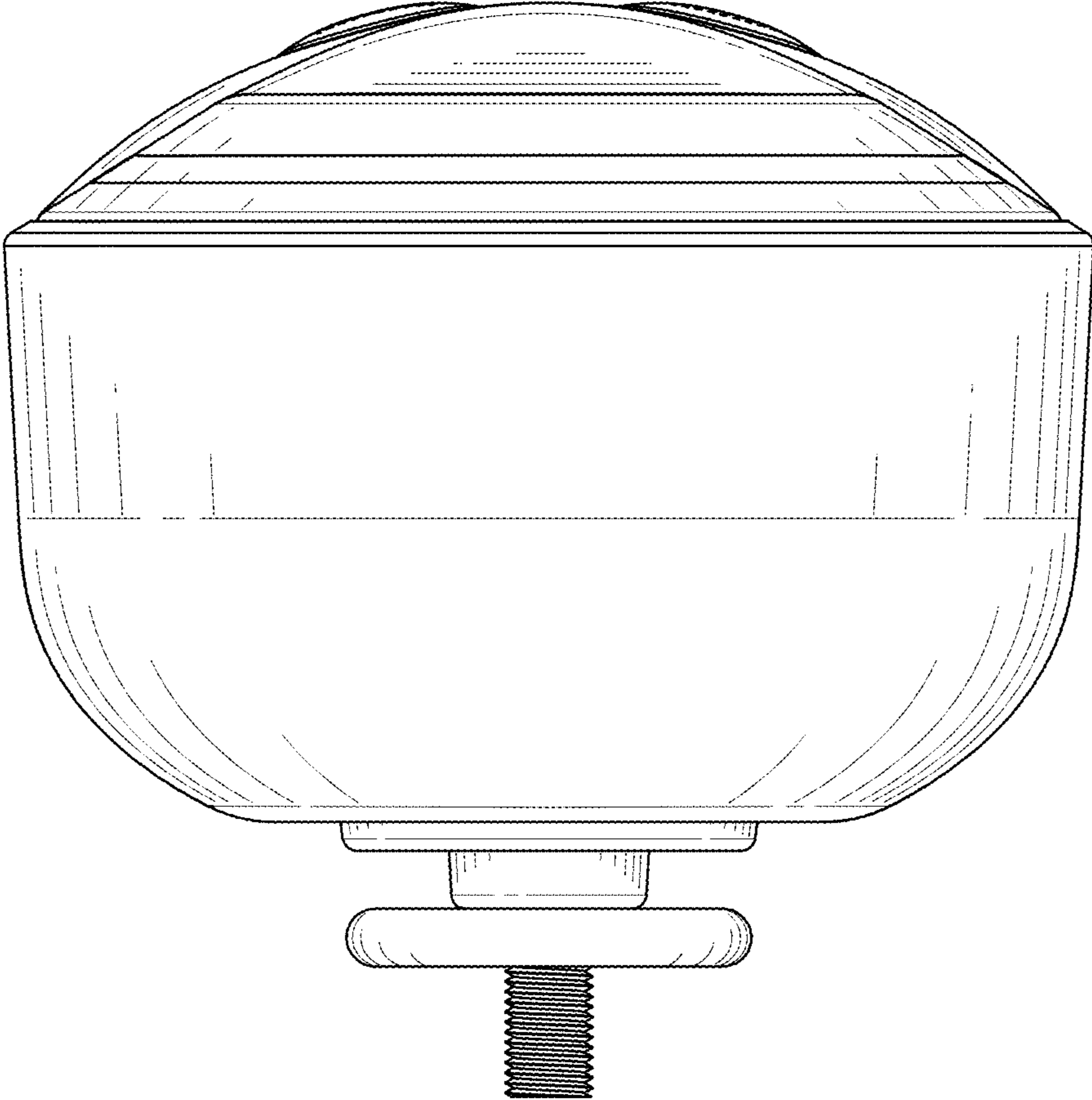


FIG. 5

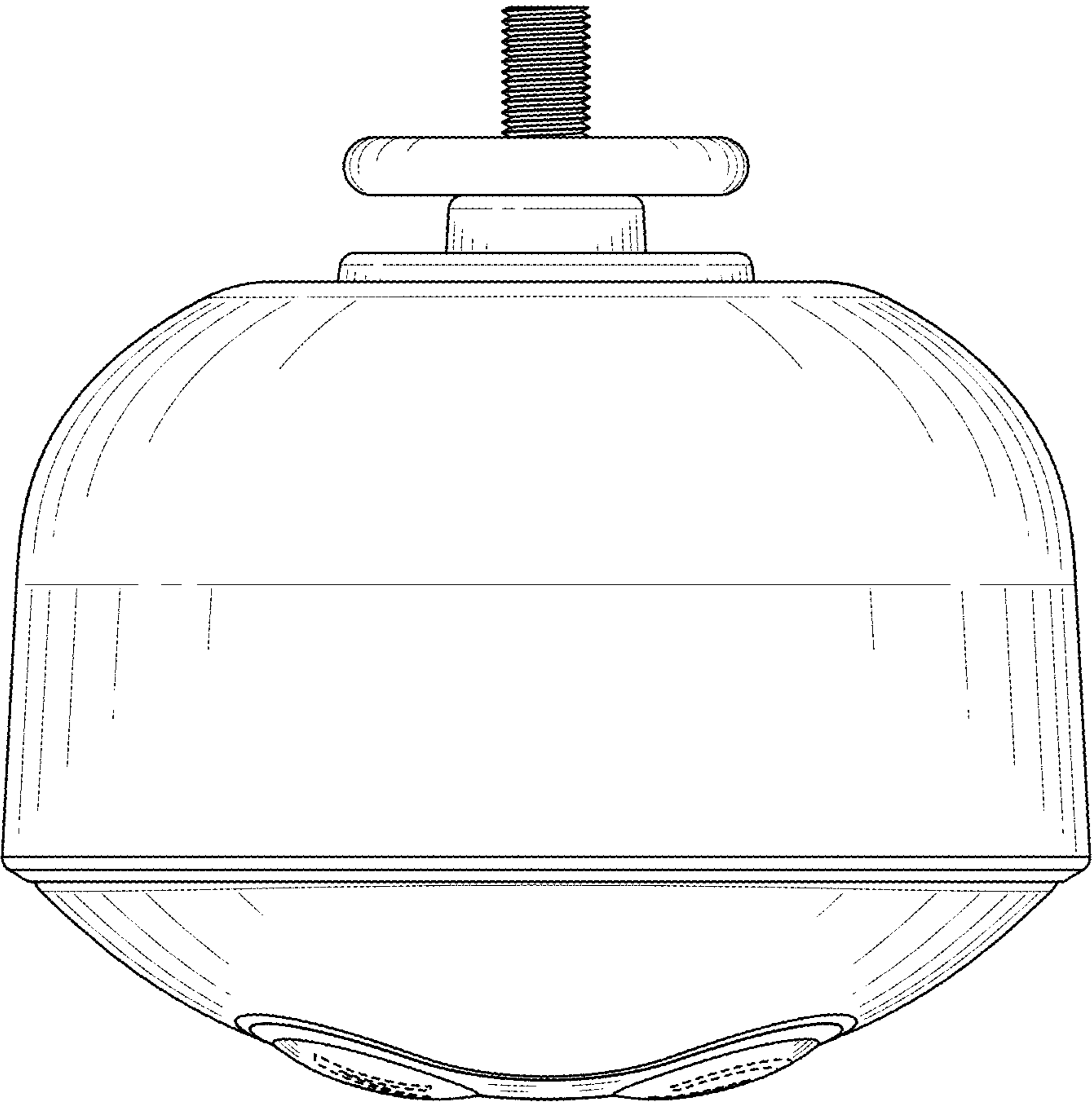


FIG. 6

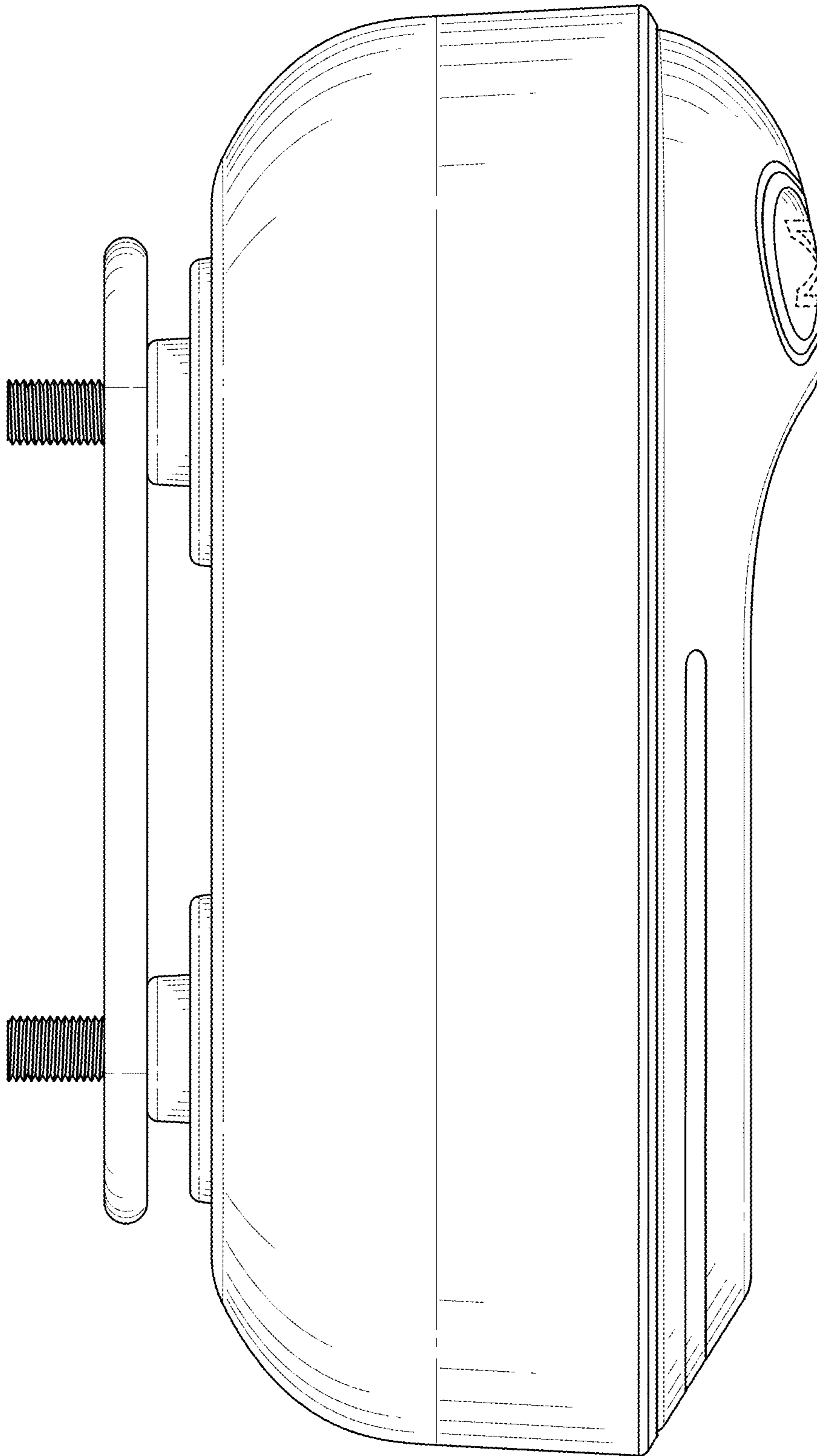


FIG. 7

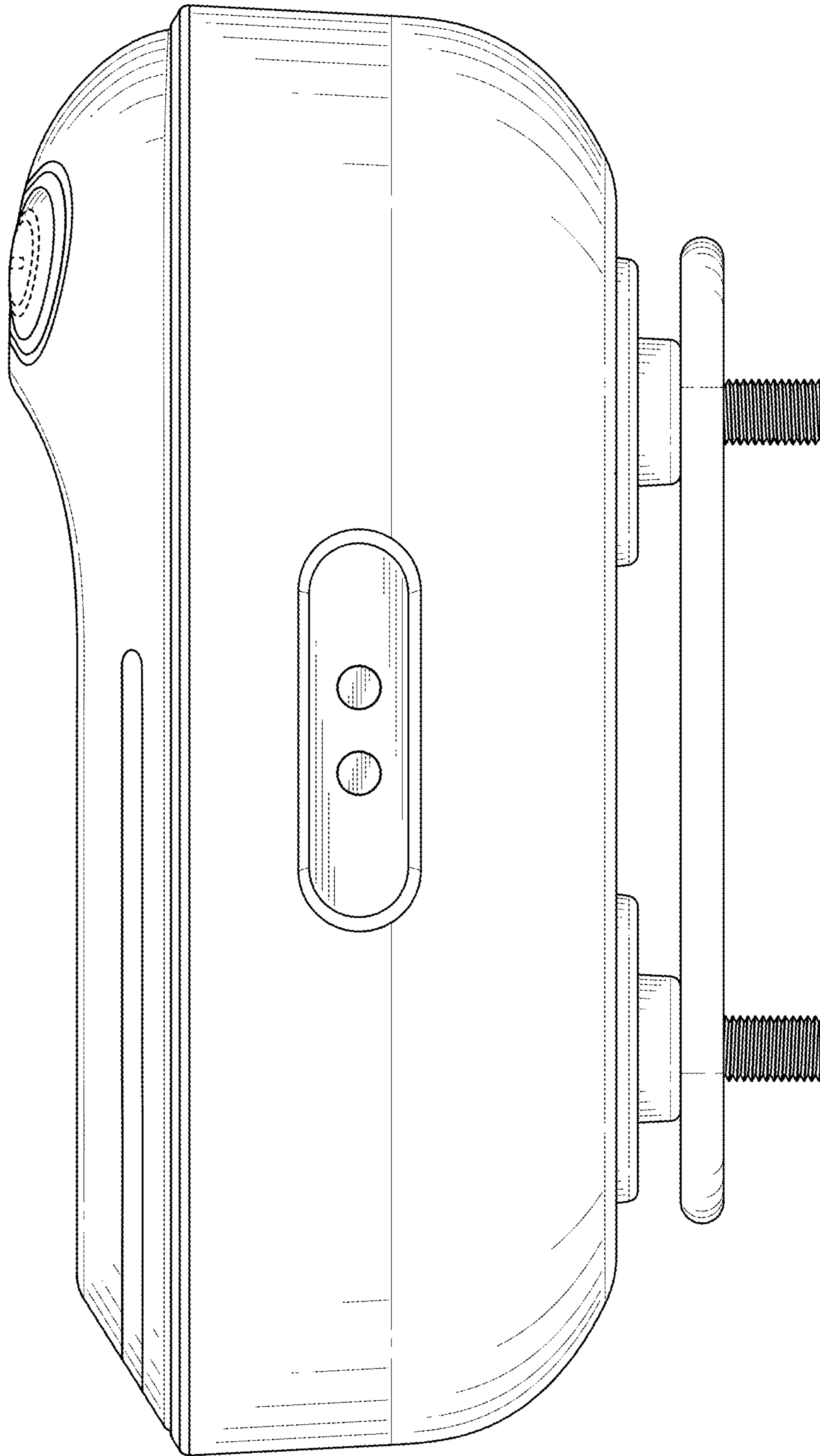


FIG. 8