



US00D980548S

(12) **United States Design Patent**
Shen

(10) **Patent No.:** **US D980,548 S**

(45) **Date of Patent:** **** Mar. 7, 2023**

(54) **HUMMINGBIRD FEEDER**

(71) Applicant: **Hangzhou Green Vine Trading Co., Ltd.**, Hangzhou (CN)

(72) Inventor: **Cuifeng Shen**, Yancheng (CN)

(**) Term: **15 Years**

(21) Appl. No.: **29/815,223**

(22) Filed: **Nov. 12, 2021**

(51) **LOC (14) Cl.** **30-03**

(52) **U.S. Cl.**
USPC **D30/128**

(58) **Field of Classification Search**
USPC D30/108, 110, 111, 121, 122, 124, 125,
D30/128, 129, 130, 131, 132, 133;
119/51.01, 51.02, 51.03, 51.11, 51.12,
119/51.13, 51.5, 52.1, 57, 57.1, 57.92, 58,
119/60, 61.1, 61.5, 61.52, 61.54, 61.55,
119/61.57, 72, 72.5, 73, 74, 75, 78, 174,
119/70, 71, 52.2, 52.3, 52.4, 53, 53.5, 54,
119/55, 57.8, 57.9, 57.91, 69.5
CPC A01K 1/0353; A01K 5/00; A01K 39/02;
A01K 39/04; A01K 39/0313
See application file for complete search history.

(56) **References Cited**

U.S. PATENT DOCUMENTS

- 4,901,673 A * 2/1990 Overstreet A01K 39/0206
119/72
- D603,567 S * 11/2009 Chen D30/124
- D683,909 S 6/2013 Muhr
- D683,911 S 6/2013 Muhr
- D698,098 S 1/2014 Muhr
- D698,099 S 1/2014 Muhr
- D698,100 S 1/2014 Muhr
- D698,101 S 1/2014 Muhr
- D698,501 S 1/2014 Muhr
- D707,401 S * 6/2014 Chen D30/127
- 8,763,556 B1 * 7/2014 Vaughn, Jr. A01K 39/0206
119/52.2
- D789,621 S 6/2017 Nifong

- D872,947 S * 1/2020 Haney D30/127
- D899,703 S * 10/2020 Shen D30/127
- D903,207 S 11/2020 Shen
- D914,997 S 3/2021 Jin
- 2006/0124067 A1* 6/2006 Taylor A01K 39/014
119/72
- 2007/0289540 A1* 12/2007 Stone A01K 39/02
119/72

(Continued)

OTHER PUBLICATIONS

“Hummingbird Feeder—Sewanta Store” available Jun. 23, 2021, [online], [site visited Aug. 18, 2022]. Retrieved from Internet, URL: https://www.amazon.com/Hummingbird-Feeder-Plastic-Feeders-Outdoors/product-reviews/B095J4J3D1/ref=cm_cr_arp_d_paging_btm_next_25 (Year: 2021).*

(Continued)

Primary Examiner — Katrina N Gonzalez
(74) *Attorney, Agent, or Firm* — Rumit Ranjit Kanakia

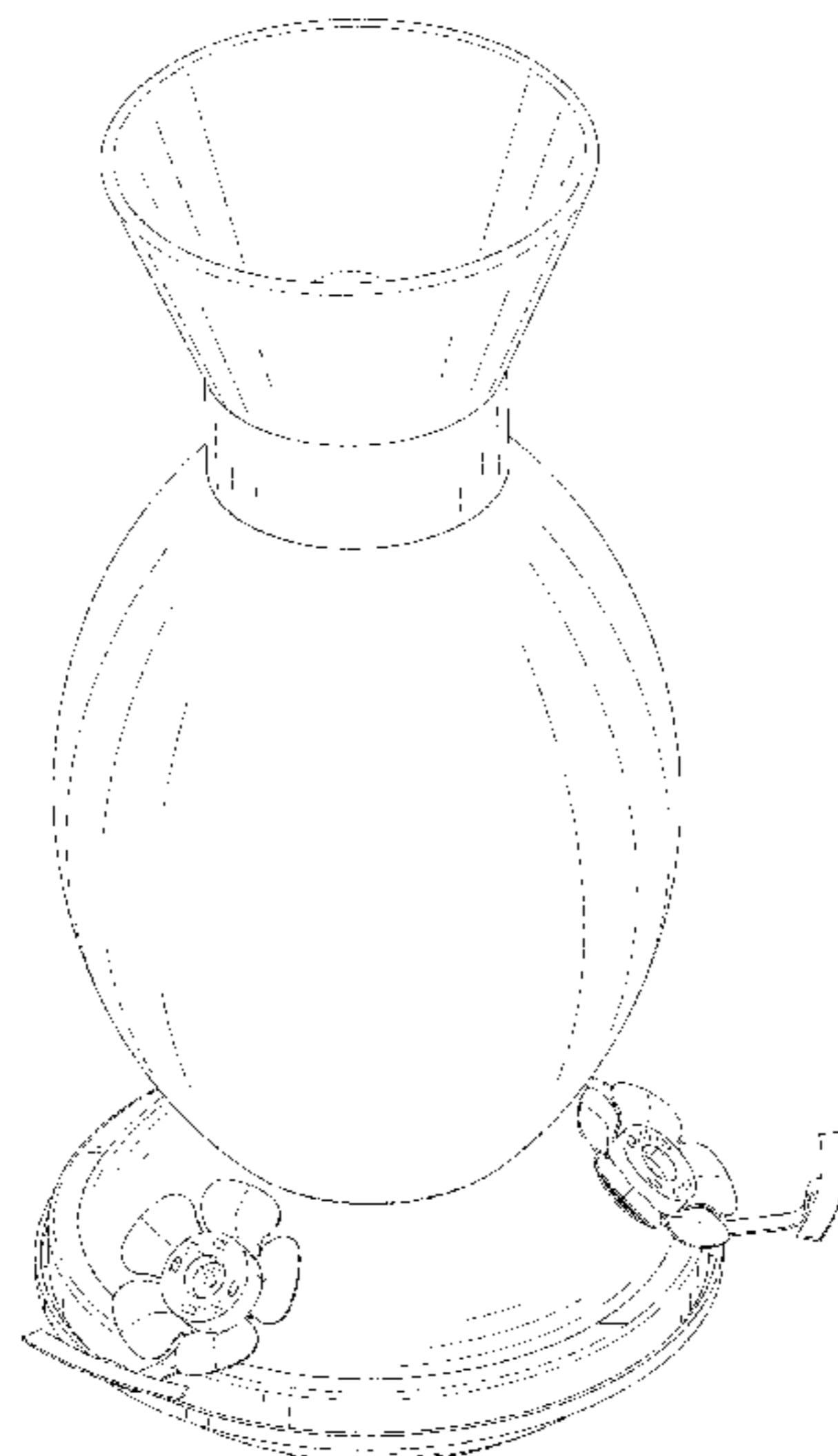
(57) **CLAIM**

The ornamental design for a hummingbird feeder, as shown and described.

DESCRIPTION

FIG. 1 is a perspective view of a hummingbird feeder showing my new design;
FIG. 2 is another perspective view thereof;
FIG. 3 is a front elevational view thereof;
FIG. 4 is a rear elevational view thereof;
FIG. 5 is a left side view thereof;
FIG. 6 is a right side view thereof;
FIG. 7 is a top plan view thereof; and,
FIG. 8 is a bottom plan view thereof.
The broken lines in the figures are for the purposes of illustrating portions of the hummingbird feeder, which form no part of the claimed design.

1 Claim, 8 Drawing Sheets



(56)

References Cited

U.S. PATENT DOCUMENTS

2009/0320765 A1* 12/2009 Gauker A01K 39/04
119/75
2010/0192866 A1* 8/2010 McMullen A01K 39/026
119/77
2010/0242848 A1* 9/2010 Vaughn, Jr. A01K 39/02
119/77
2012/0216750 A1* 8/2012 Cruz A01K 39/0206
119/72
2012/0279454 A1* 11/2012 Gauker A01K 39/04
119/78
2015/0122186 A1* 5/2015 Donegan A01K 39/04
119/51.5
2019/0320620 A1* 10/2019 Lubic A01K 39/0206
2019/0320621 A1* 10/2019 Lubic A01K 39/04

OTHER PUBLICATIONS

“Garden Collection Hanging Hummingbird Feeders” available Nov. 11, 2020, [online], [site visited Aug. 18, 2022]. Retrieved from Internet, URL: https://www.amazon.com/Garden-Collection-Hanging-Hummingbird-Feeders/dp/B00W4GWFVA/ref=cm_cr_ar_p_d_product_top?ie=UTF8 (Year: 2020).*

“Perky-Pet” available Feb. 11, 2020, [online], [site visited Aug. 18, 2022]. Retrieved from Internet, URL: https://www.amazon.com/Perky-Pet-132TF-24-Ounce-Hummingbird-Feeder/dp/B007UII5EI/ref=sr_1_149 (Year: 2020).*

* cited by examiner



FIG. 1

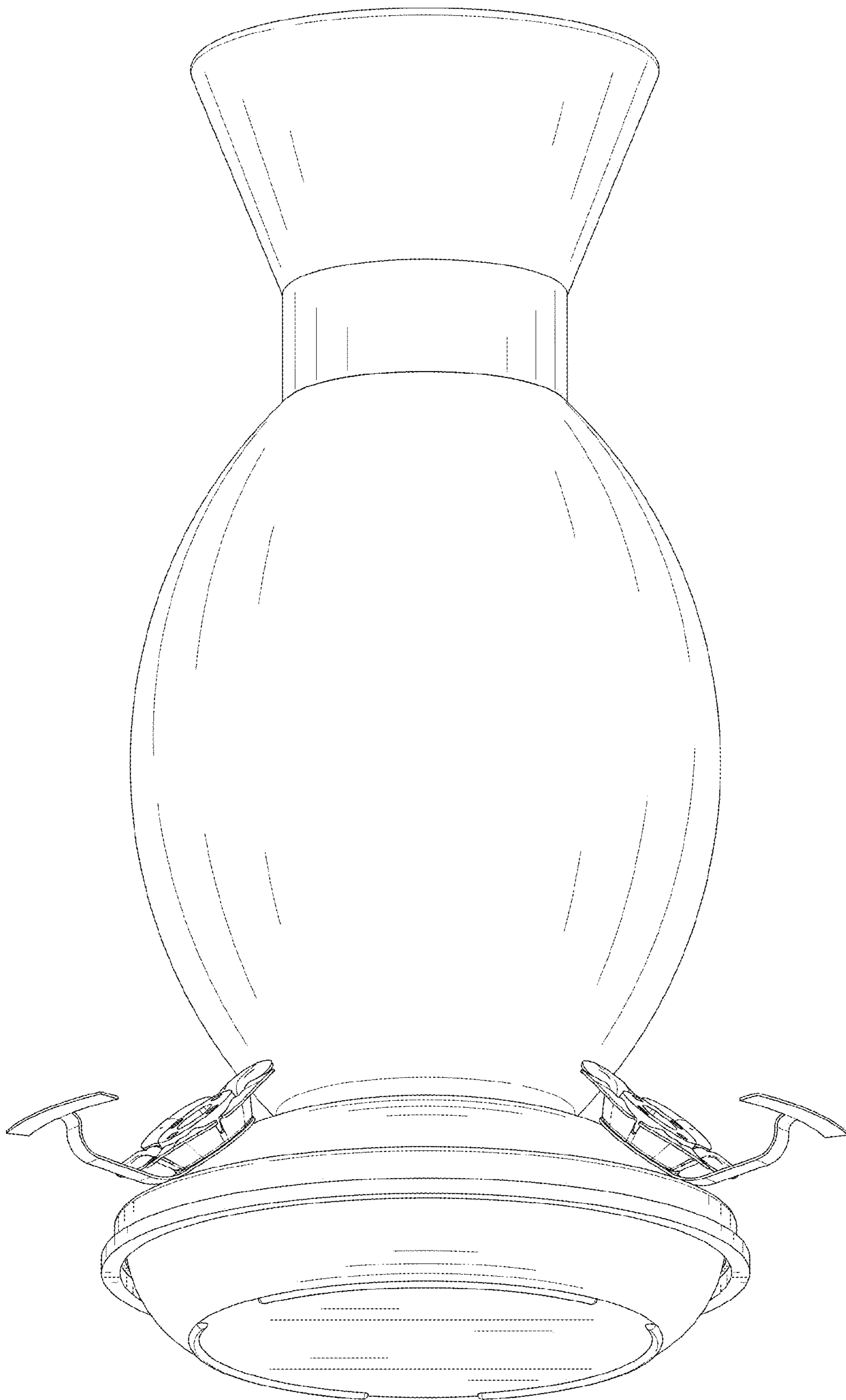


FIG. 2

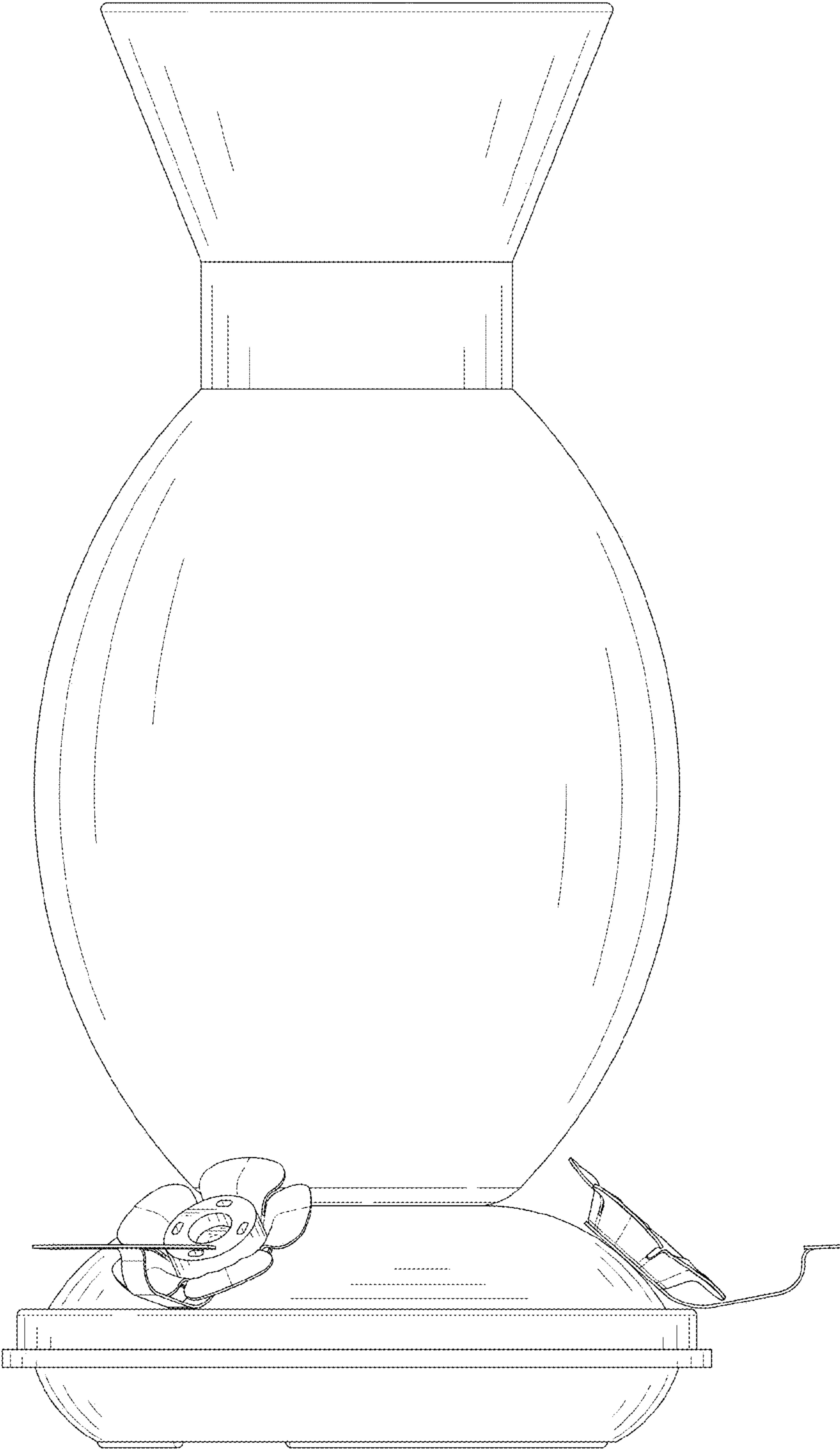


FIG. 3

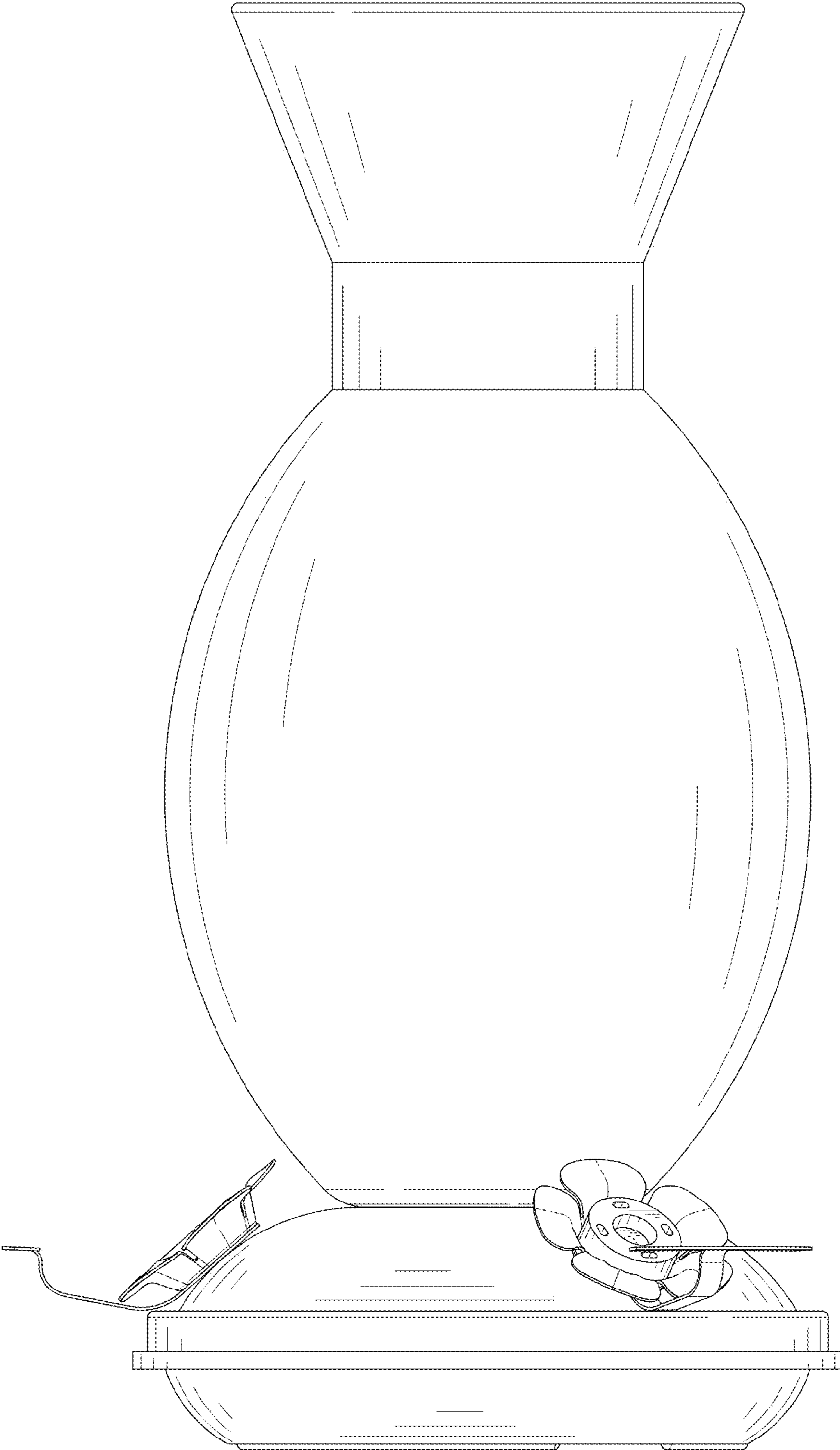


FIG. 4

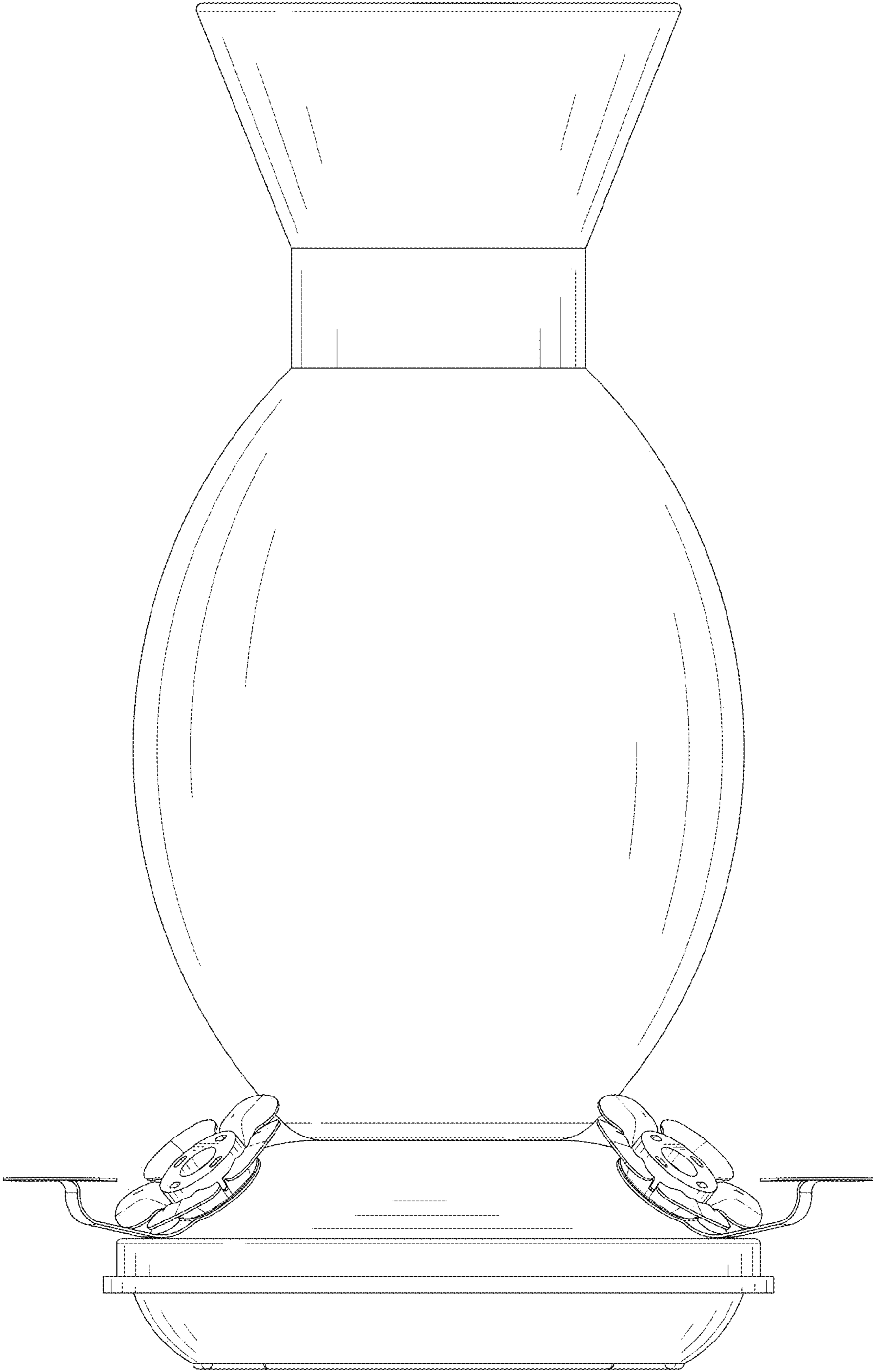


FIG. 5

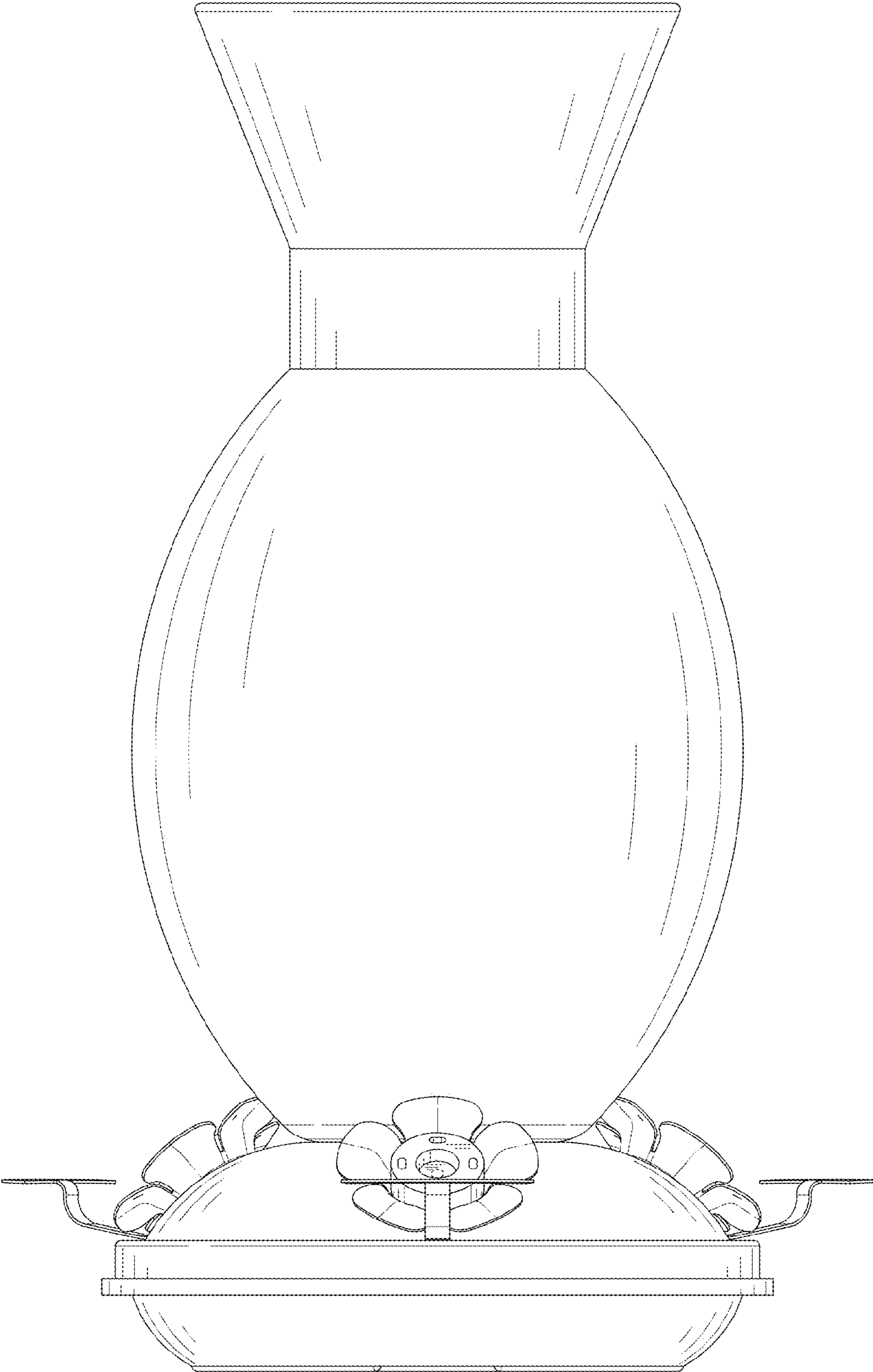


FIG. 6

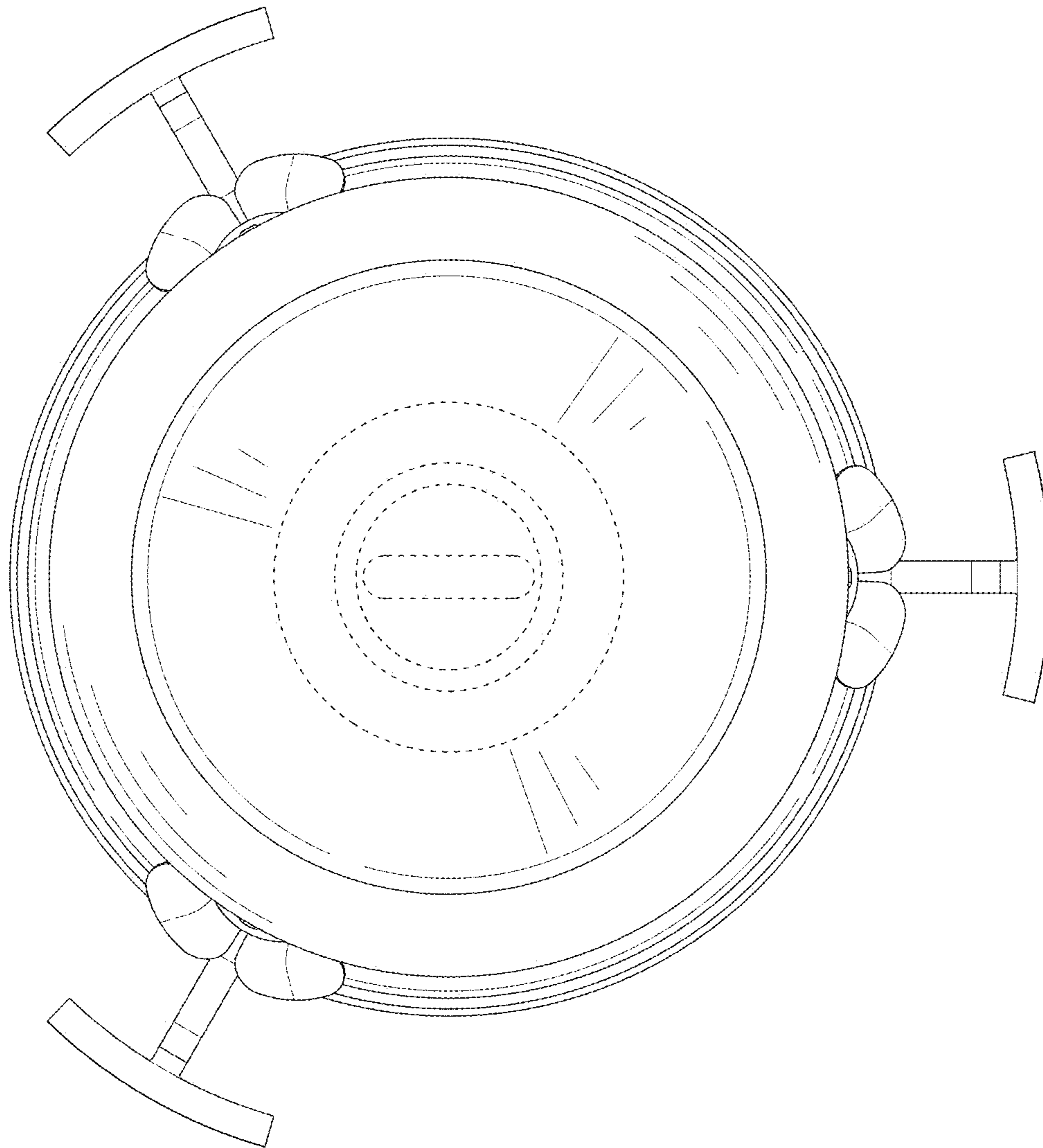


FIG. 7

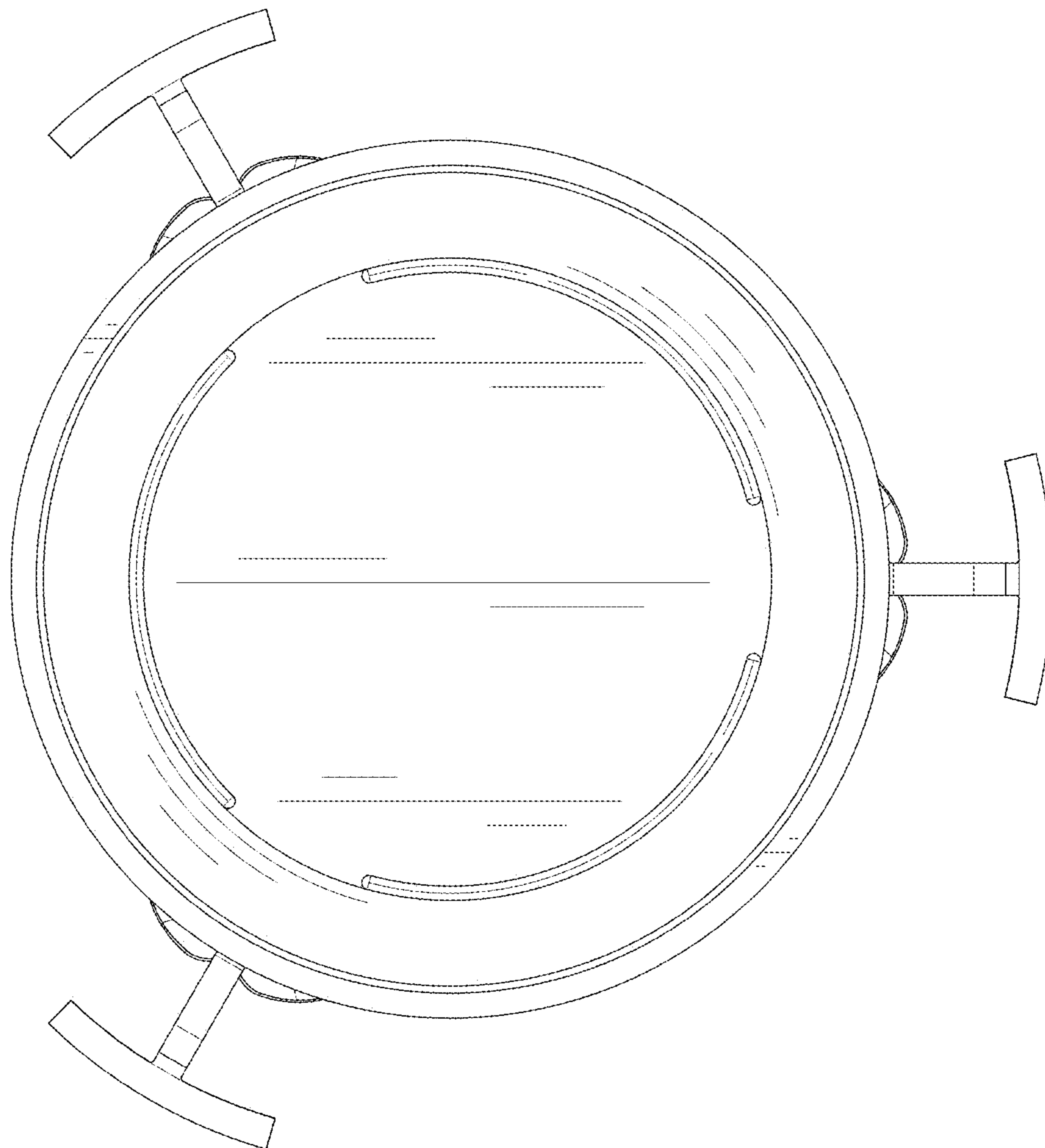


FIG. 8