



US00D980546S

(12) **United States Design Patent**
Wolfe, Jr. et al.

(10) **Patent No.:** **US D980,546 S**
(45) **Date of Patent:** **** Mar. 7, 2023**

- (54) **TREAT DISPENSER**
- (71) Applicant: **Starmark Pet Products, Inc.**, Hutto, TX (US)
- (72) Inventors: **Jerry J. Wolfe, Jr.**, Hutto, TX (US); **Harold Keith Benson**, Hutto, TX (US)
- (73) Assignee: **Starmark Pet Products, Inc.**, Hutto, TX (US)
- (**) Term: **15 Years**
- (21) Appl. No.: **29/720,587**
- (22) Filed: **Jan. 14, 2020**
- (51) **LOC (14) Cl.** **30-07**
- (52) **U.S. Cl.**
USPC **D30/122**
CPC **A01K 5/025 (2013.01)**
- (58) **Field of Classification Search**
USPC D30/121-133, 160; 119/51.11, 51.5, 72, 119/73
CPC A01K 5/025; A01K 15/025; A01K 5/0114; A01K 5/0291; A01K 5/0233; A01K 5/0275; A01K 15/026
See application file for complete search history.

- D481,834 S * 11/2003 O'Rourke A01K 15/025 D30/121
- 6,651,840 B1 * 11/2003 Van Dullemen B65B 69/0058 221/88
- 7,536,978 B2 * 5/2009 Washington A01K 15/025 119/51.01
- 7,640,894 B2 * 1/2010 Jager A01K 15/026 119/710
- D668,007 S * 9/2012 Ottosson D21/460
- 8,424,489 B2 4/2013 Desrosiers
- D782,125 S * 3/2017 Tseng D30/121
- D812,320 S * 3/2018 Stone D30/160
- D891,008 S * 7/2020 Zeng D30/160
- D899,013 S * 10/2020 Wolfe, Jr. D30/160
- 11,246,287 B2 * 2/2022 Wolfe, Jr. A01K 5/025
- 11,246,293 B2 * 2/2022 Wolfe, Jr. A01K 5/00
- 2004/0134434 A1 * 7/2004 Kraft A01K 15/025 119/51.01
- 2005/0066905 A1 * 3/2005 Morosin A01K 5/0291 119/51.02
- 2009/0151643 A1 6/2009 Hodgins
(Continued)

Primary Examiner — Richard E Chilcot
(74) *Attorney, Agent, or Firm* — Brian F. Russell

(57) **CLAIM**

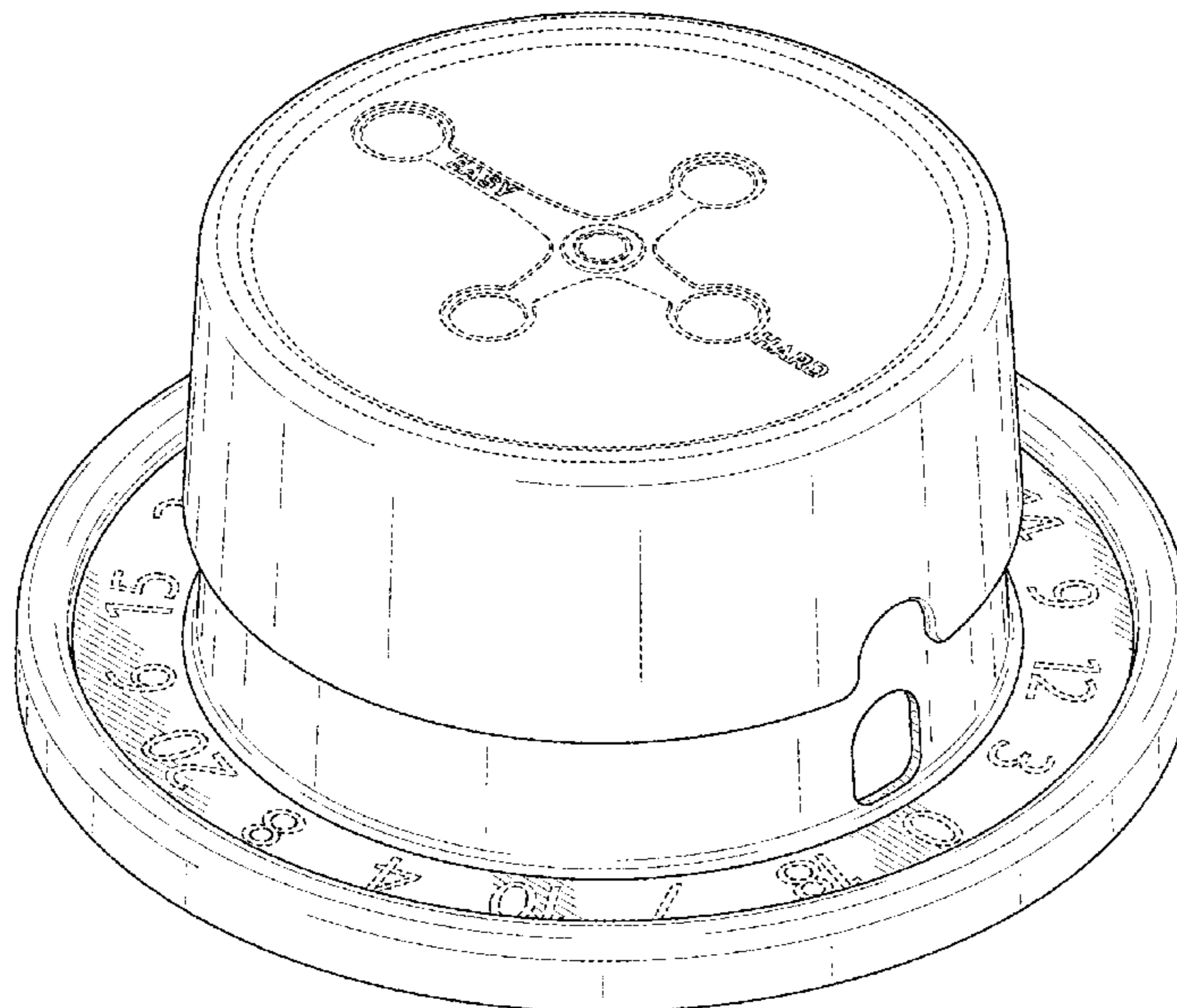
The ornamental design for a treat dispenser, as shown and described.

DESCRIPTION

FIG. 1 is a top perspective view of the treat dispenser. FIG. 2 is a front elevation view of the treat dispenser. FIG. 3 is a back elevation view of the treat dispenser. FIG. 4 is a left side elevation view of the treat dispenser. FIG. 5 is a right side elevation view of the treat dispenser. FIG. 6 is a top plan view of the treat dispenser; and, FIG. 7 is a bottom plan view of the treat dispenser. The dashed lines form the boundary between claimed and unclaimed subject matter and are not part of the claimed design.

1 Claim, 7 Drawing Sheets

- (56) **References Cited**
U.S. PATENT DOCUMENTS
- 4,513,688 A * 4/1985 Fassauer A01K 5/0291 366/196
- 4,651,679 A * 3/1987 Fassauer A01K 5/0291 119/51.5
- D317,666 S 6/1991 Haynes
- 5,176,103 A * 1/1993 Reid A01K 5/0291 119/51.13
- D334,251 S * 3/1993 Tiu D7/589
- 5,222,461 A * 6/1993 Haynes A01K 5/0275 119/55
- D339,429 S * 9/1993 Reid D7/553.6



(56)

References Cited

U.S. PATENT DOCUMENTS

2010/0095896 A1* 4/2010 Van Wye A01K 15/02
221/9
2011/0226187 A1* 9/2011 Bertsch A01K 15/025
119/61.55
2014/0060441 A1* 3/2014 Baxter A01K 5/0275
119/61.5
2017/0042116 A1* 2/2017 Lindskov A01K 5/025
2017/0303509 A1* 10/2017 Stone A01K 5/00
2018/0160648 A1* 6/2018 Goh A01K 15/02
2019/0098864 A1* 4/2019 Simon A01K 5/0135
2019/0261601 A1* 8/2019 Stone A01K 15/025

* cited by examiner

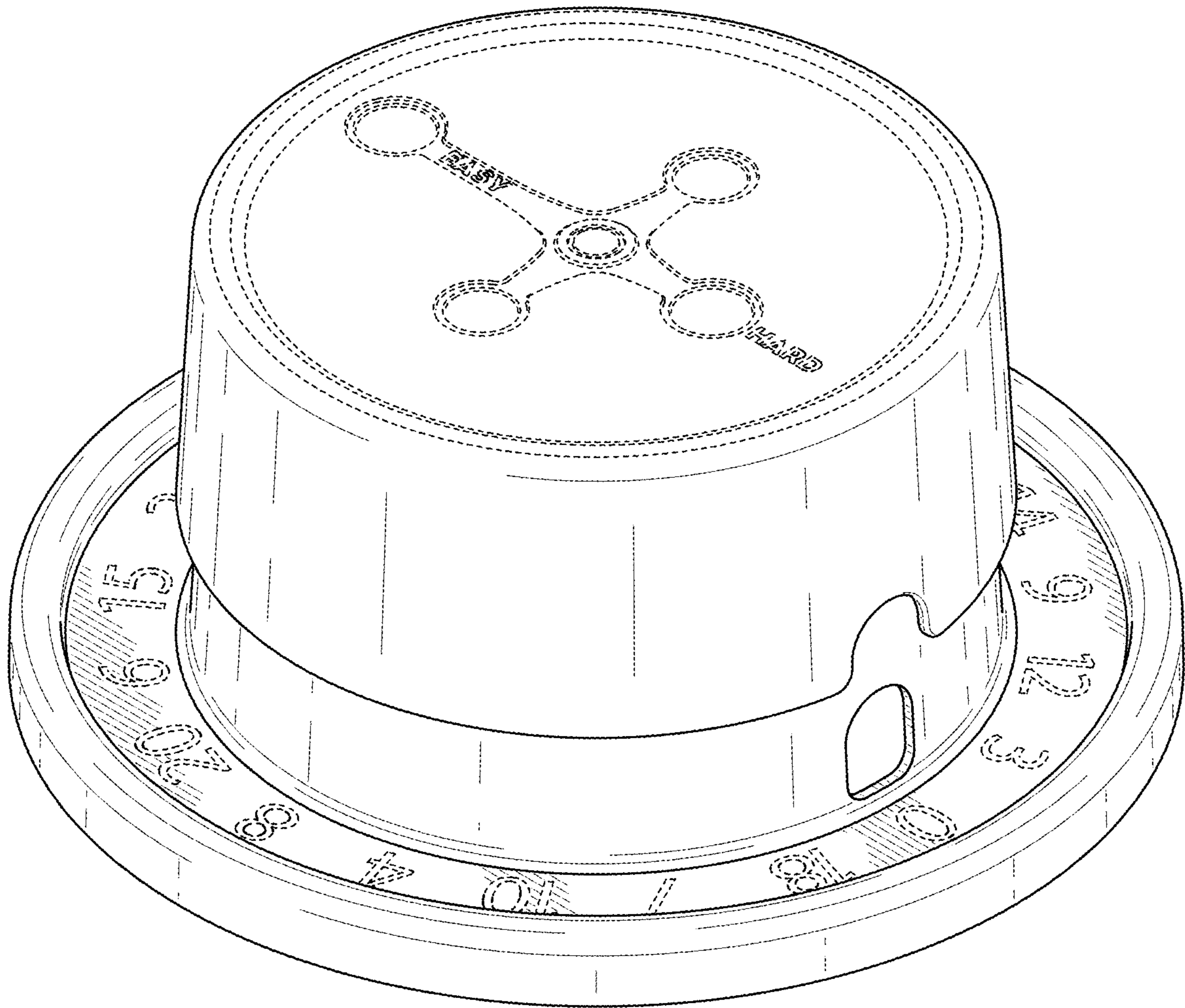


FIG. 1

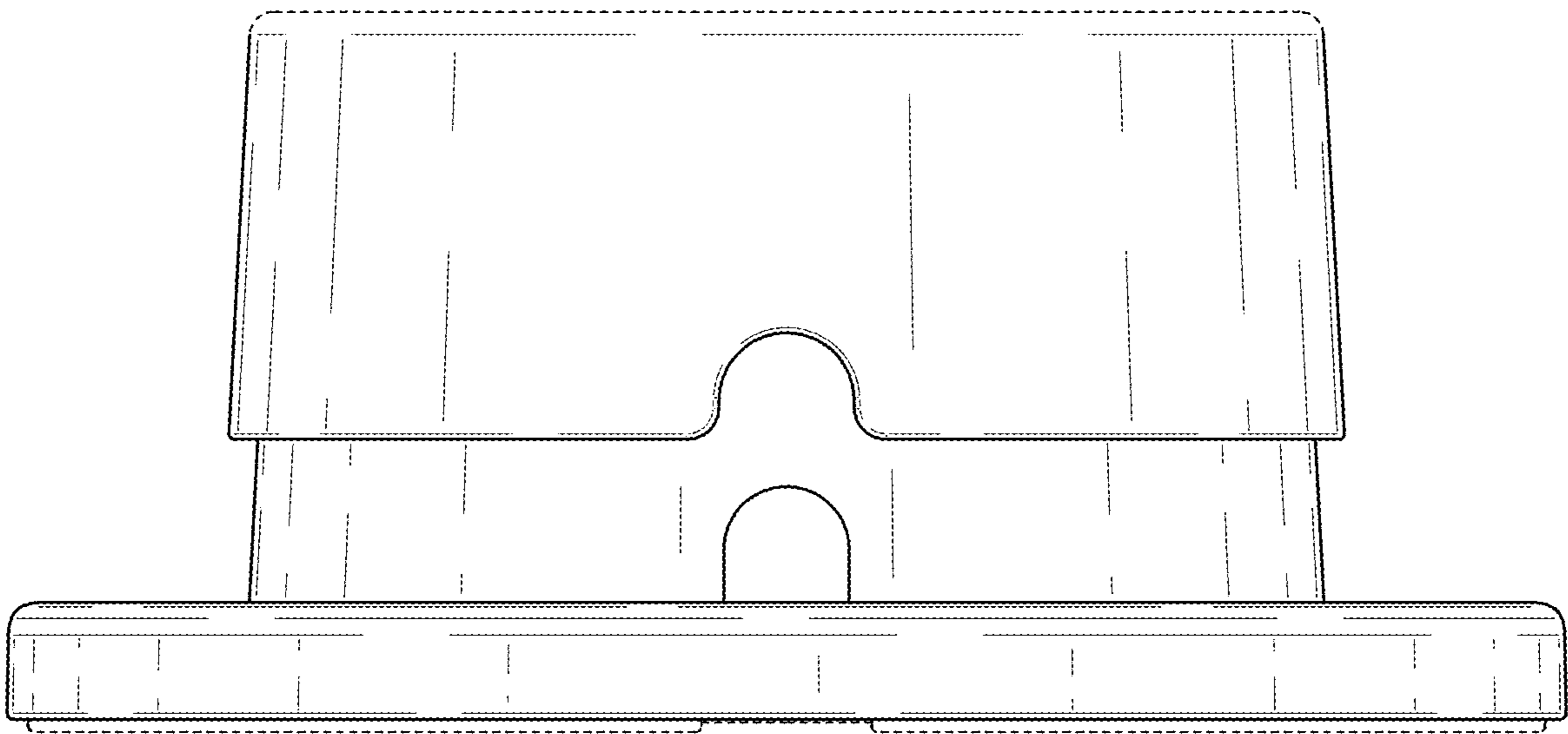


FIG. 2

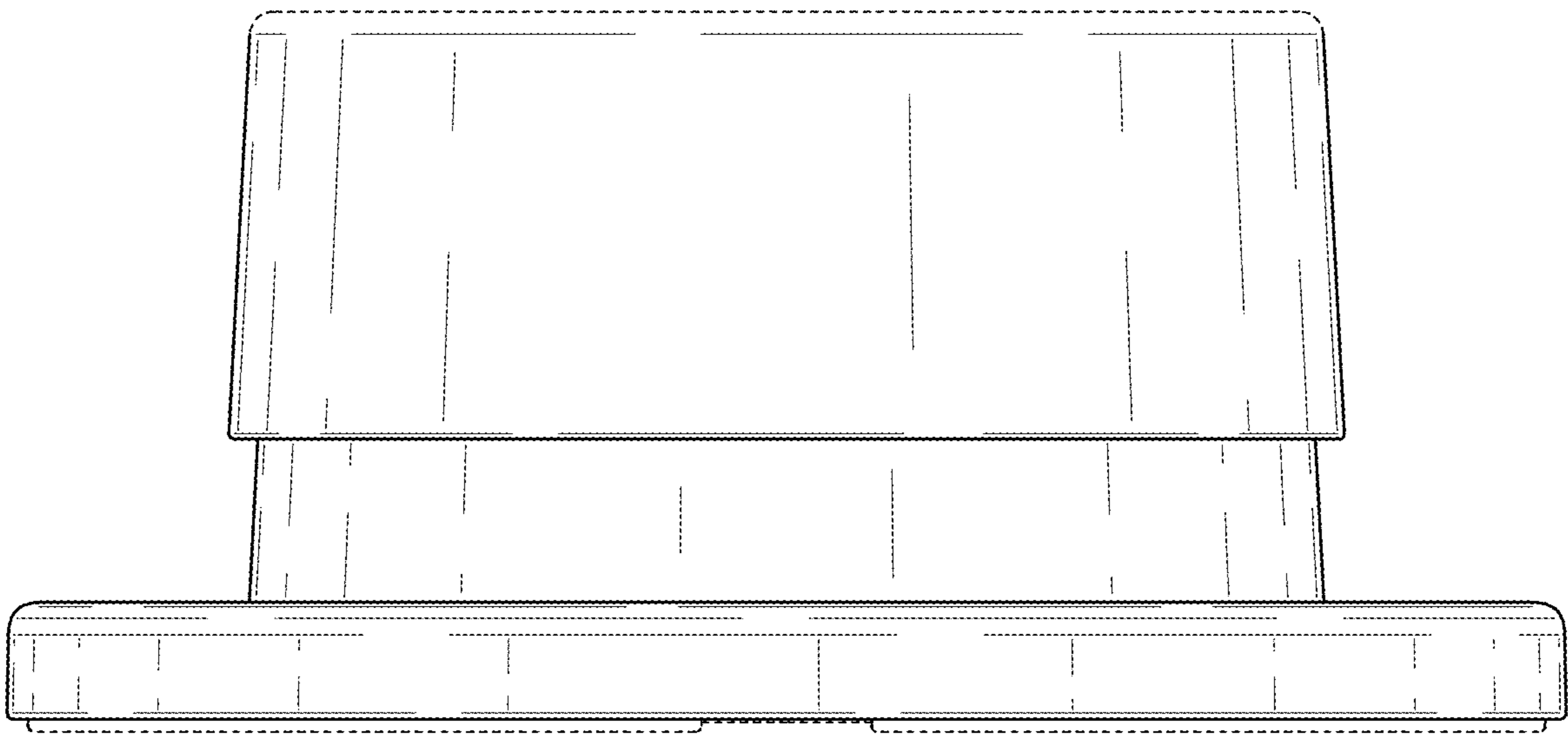


FIG. 3

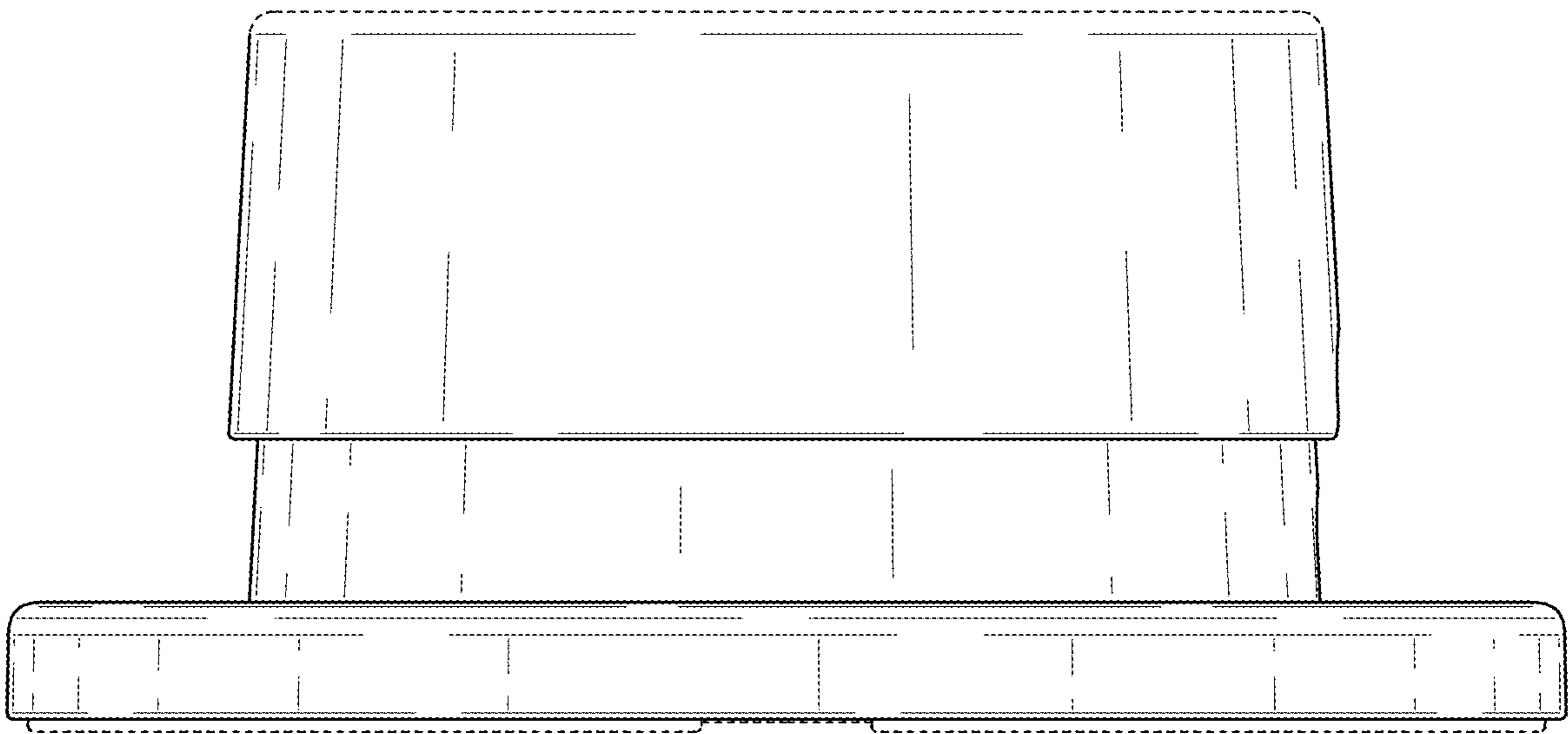


FIG. 4

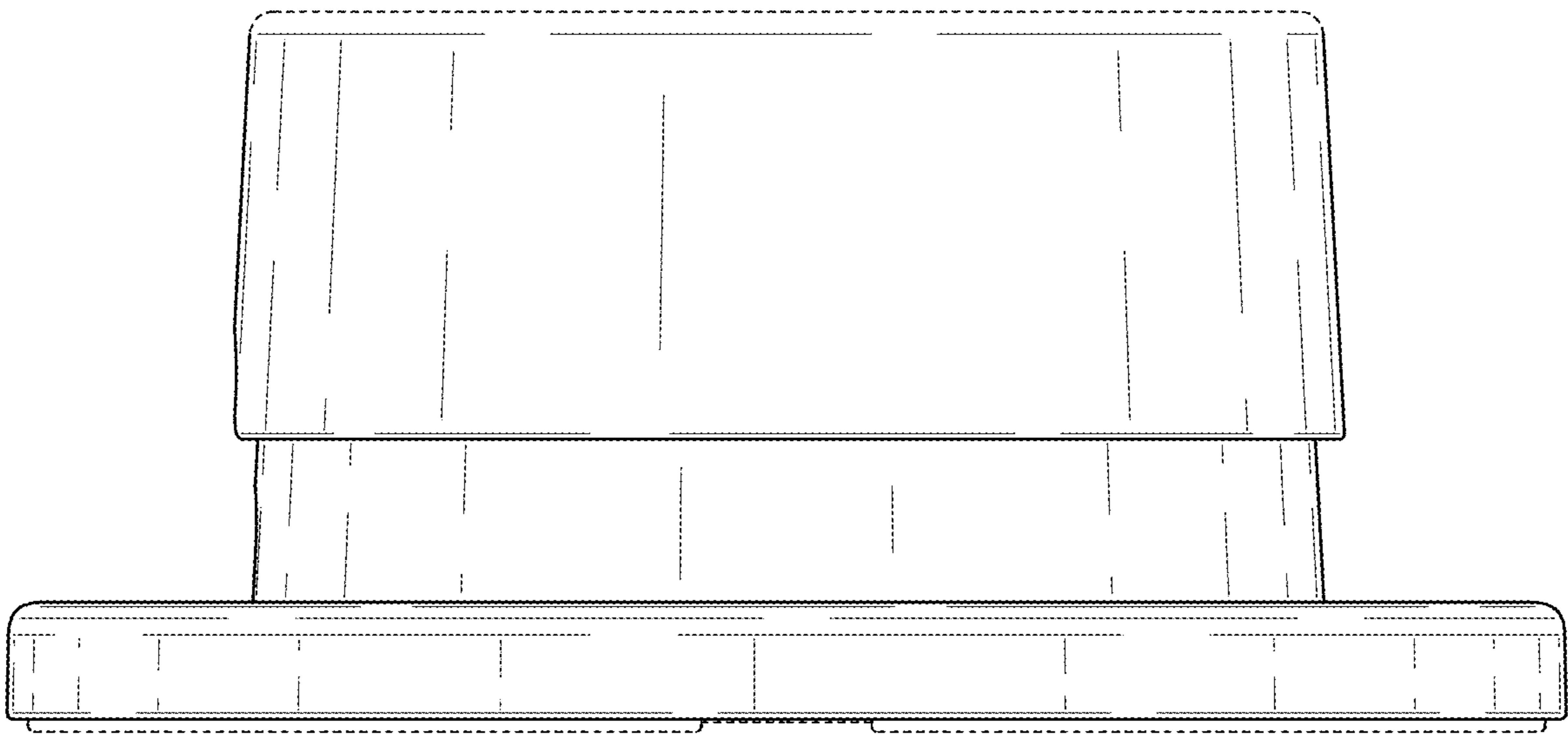


FIG. 5

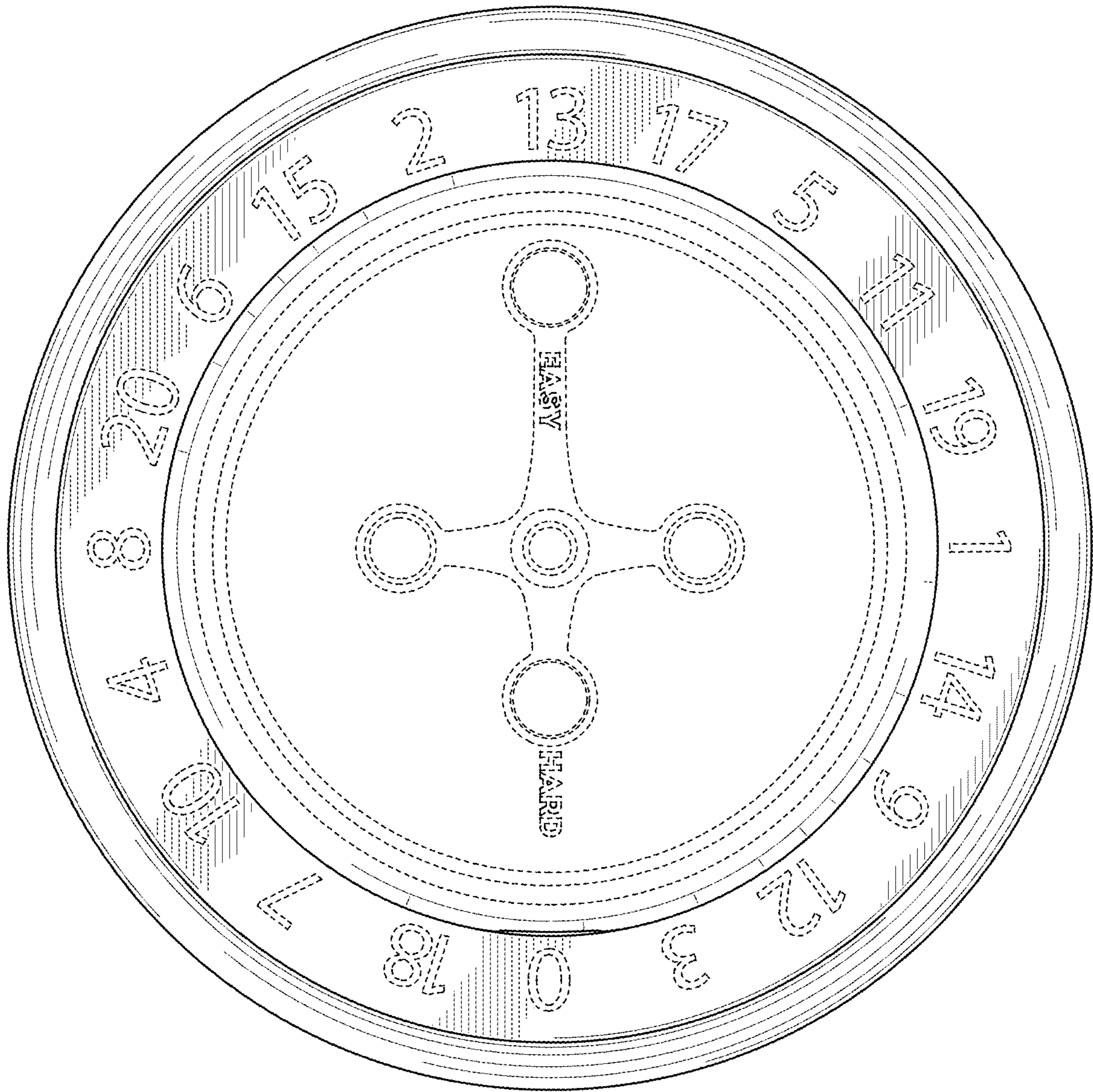


FIG. 6

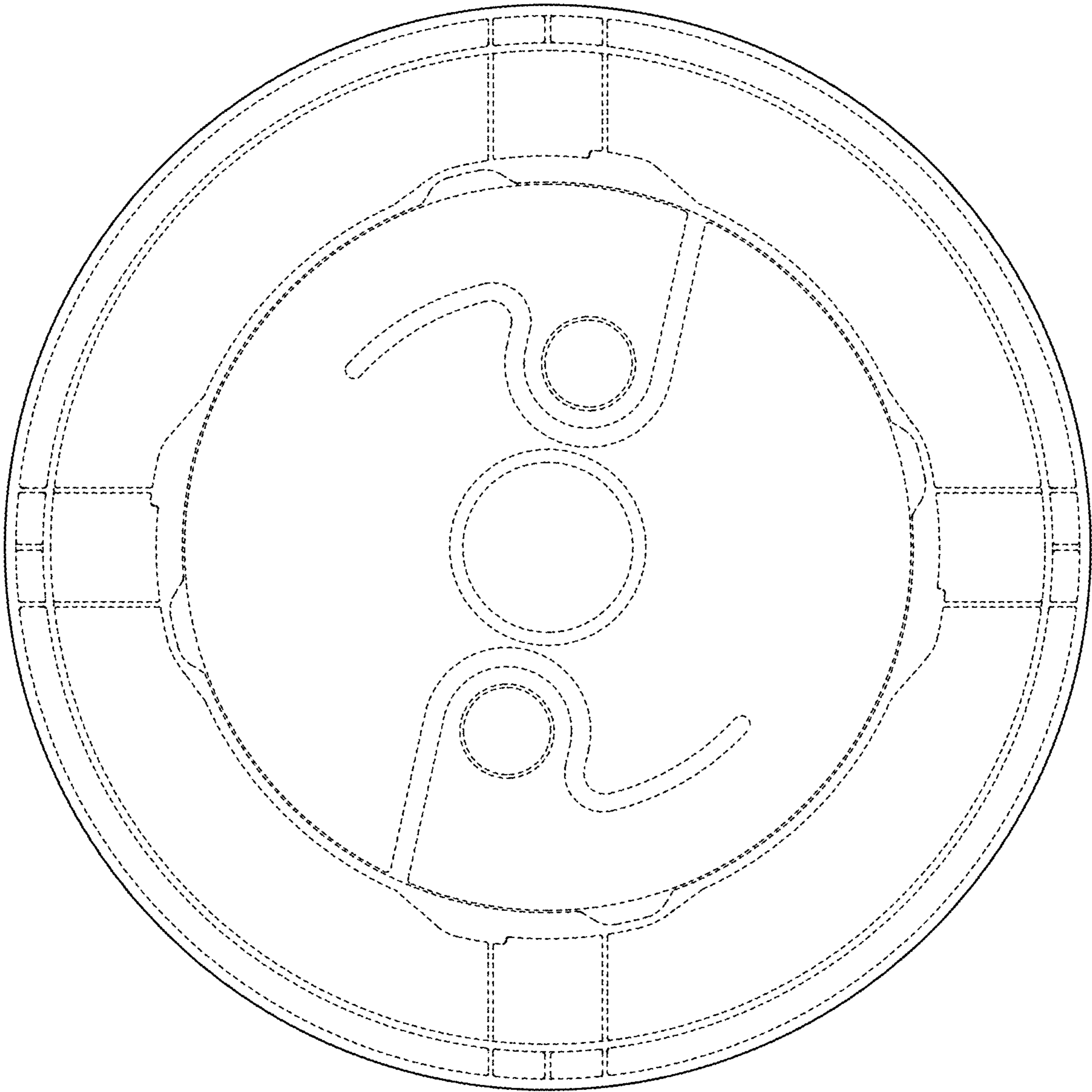


FIG. 7