



US00D980540S

(12) **United States Design Patent** (10) **Patent No.:** **US D980,540 S**  
**Hernandez et al.** (45) **Date of Patent:** **\*\* \*Mar. 7, 2023**

(54) **HEARING PROTECTOR**

FOREIGN PATENT DOCUMENTS

(71) Applicant: **3M INNOVATIVE PROPERTIES COMPANY**, St. Paul, MN (US)

EM 008147946-0001 \* 12/2020  
KR 3008011120000 6/2015

(Continued)

(72) Inventors: **Alonso M. Hernandez**, Minneapolis, MN (US); **Mario A. Davenport**, St. Paul, MN (US); **Eric O. Hemberg**, Shatin (HK)

OTHER PUBLICATIONS

Amazon, "Dr.meter EM100 Kids Protective Earmuffs", first available Sep. 23, 2016. (<https://www.amazon.com/Dr-Meter-EM100-Protective-Earmuffs-Adjustable/dp/B01LWYWH43/?th=1>) (Year: 2016).\*

(Continued)

(73) Assignee: **3M Innovative Properties Company**, St. Paul, MN (US)

(\* ) Notice: This patent is subject to a terminal disclaimer.

*Primary Examiner* — Lauren D McVey

*Assistant Examiner* — Justin A Johnson

(74) *Attorney, Agent, or Firm* — Ann K. Gallagher

(\*\*) Term: **15 Years**

(21) Appl. No.: **29/726,023**

(57) **CLAIM**

The ornamental design for a hearing protector, as shown and described.

(22) Filed: **Feb. 28, 2020**

(51) **LOC (14) Cl.** ..... **29-02**

(52) **U.S. Cl.**  
USPC ..... **D29/112**

**DESCRIPTION**

(58) **Field of Classification Search**  
USPC ..... D29/100, 108, 112  
CPC . A42B 3/16; A42B 3/163; A61F 11/06; A61F 11/14; A61F 11/145  
See application file for complete search history.

The patent or application file contains at least one drawing executed in color. Copies of this patent or patent application publication with color drawing(s) will be provided by the Office upon request and payment of the necessary fee.  
FIG. 1 is a perspective view of a hearing protector of the present disclosure;  
FIG. 2 is a right side elevation view thereof, with the left side being a mirror image thereof;  
FIG. 3 is a front elevation view thereof, with the rear view being a mirror image thereof;  
FIG. 4 is a top plan view thereof; and,  
FIG. 5 is a bottom plan view thereof.  
The portions of the hearing protector in FIGS. 1-5 shown in broken lines are included to show features that form no part of the claimed design.

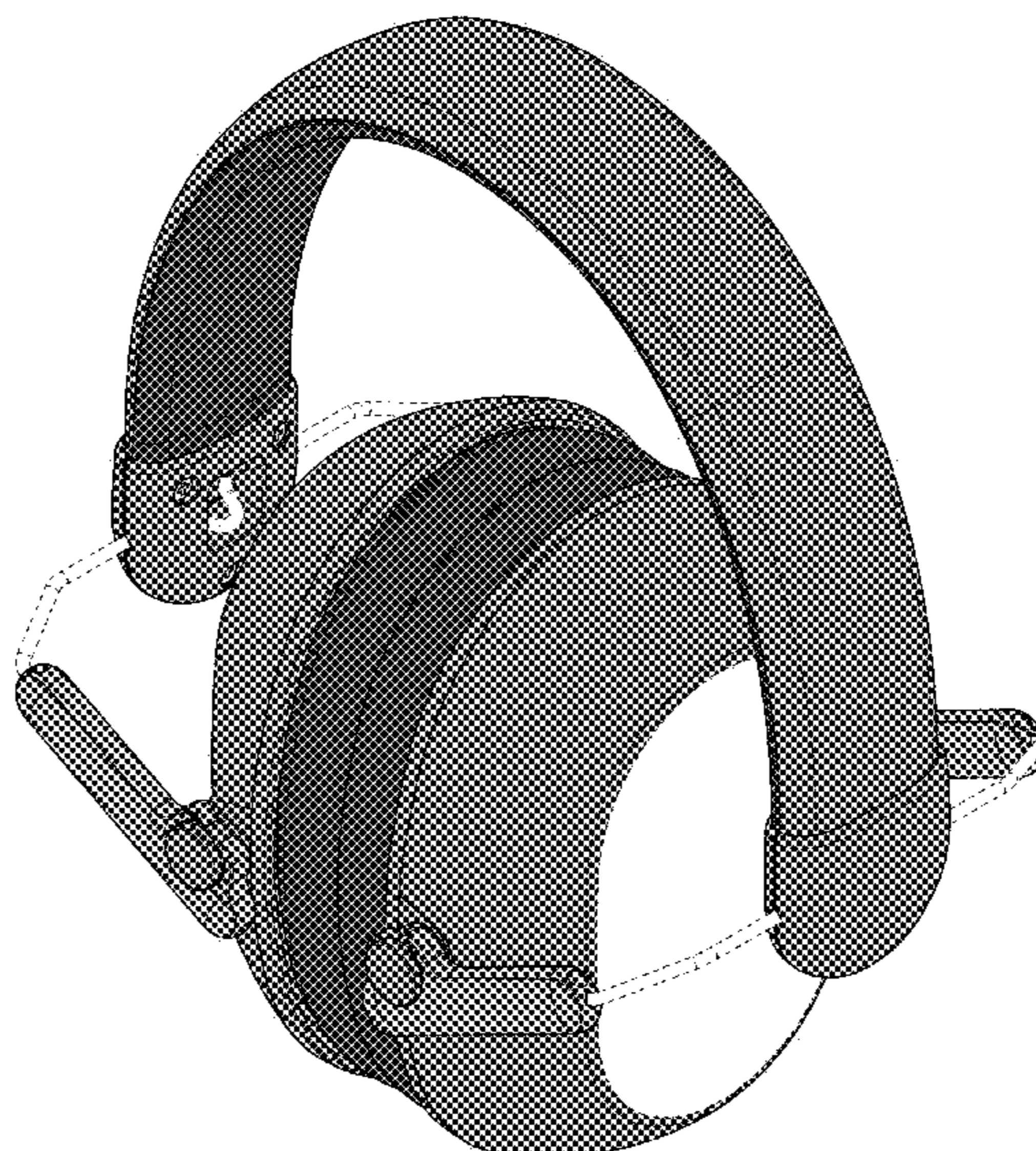
(56) **References Cited**

U.S. PATENT DOCUMENTS

D651,764 S \* 1/2012 Gresko ..... A61F 11/14  
D29/112  
D686,190 S \* 7/2013 Karacal ..... A61F 11/14  
D14/205  
D752,816 S \* 3/2016 Fletcher ..... D29/112  
D778,258 S \* 2/2017 Hsu ..... D14/205  
D834,260 S \* 11/2018 Garcia Mansilla ..... D29/112  
D848,679 S \* 5/2019 Wilson ..... H04R 1/1066  
D29/112

(Continued)

**1 Claim, 4 Drawing Sheets**  
**(4 of 4 Drawing Sheet(s) Filed in Color)**



(56)

**References Cited**

U.S. PATENT DOCUMENTS

D859,355 S *	9/2019	Hu	.....	H04R 1/1083 D14/206
D860,161 S *	9/2019	Xia	.....	D14/205
D885,683 S *	5/2020	Qiu	.....	D29/112
D902,496 S *	11/2020	Bui	.....	D29/112
D944,758 S *	3/2022	Tang	.....	D14/205
2015/0117660 A1 *	4/2015	Fletcher	.....	H04R 1/1083 381/72
2020/0374622 A1 *	11/2020	Kara	.....	H04R 1/1066

FOREIGN PATENT DOCUMENTS

TW	1667760001	4/2015
TW	1696380001	8/2015
TW	1783640001	9/2016
TW	1861010001	10/2017

OTHER PUBLICATIONS

Amazon, "Lucid Audio HearMuffs", first available Jan. 5, 2018. (<https://www.amazon.com/Lucid-Audio-ETYLAKIDSPMRD-Kids-HearMuffs/dp/B078RWCVMP/?th=1>) (Year: 2018).\*

Amazon, "3M Kids Hearing Protection", first available Mar. 17, 2020. (<https://www.amazon.com/3M-Protection-Children-Adjustable-Reduction/dp/B07ZDSPSQQ?th=1>) (Year: 2020).\*

Amazon, "Kids/Toddler Ear Protection Safety Ear Muffs", first available Nov. 5, 2021. (<https://www.amazon.com/Toddler-Protection-Cancelling-Headphones-Earmuffs/dp/B09TS7W3HP/?th=1>) (Year: 2021).\*

\* cited by examiner



FIG. 1

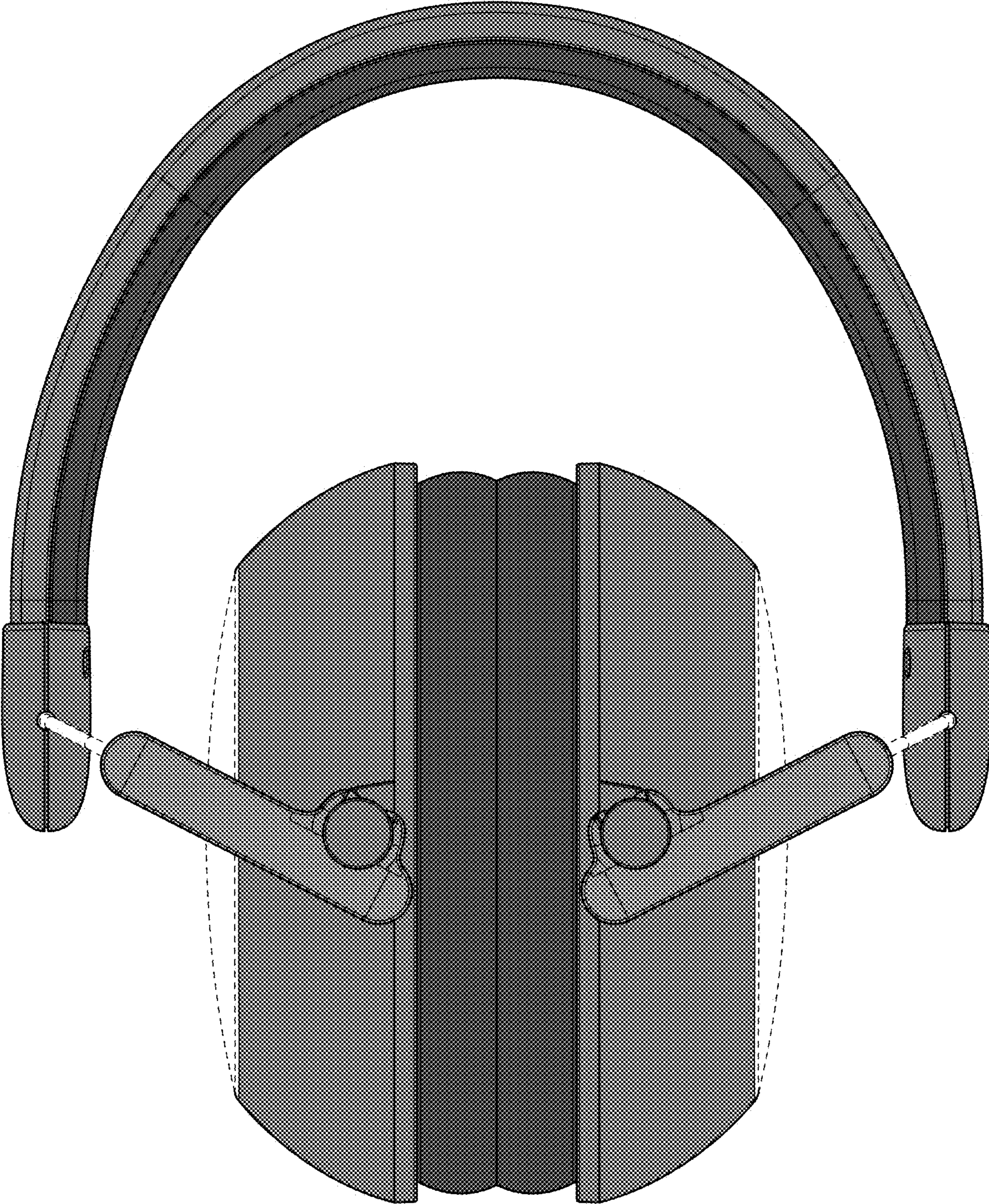


FIG. 2

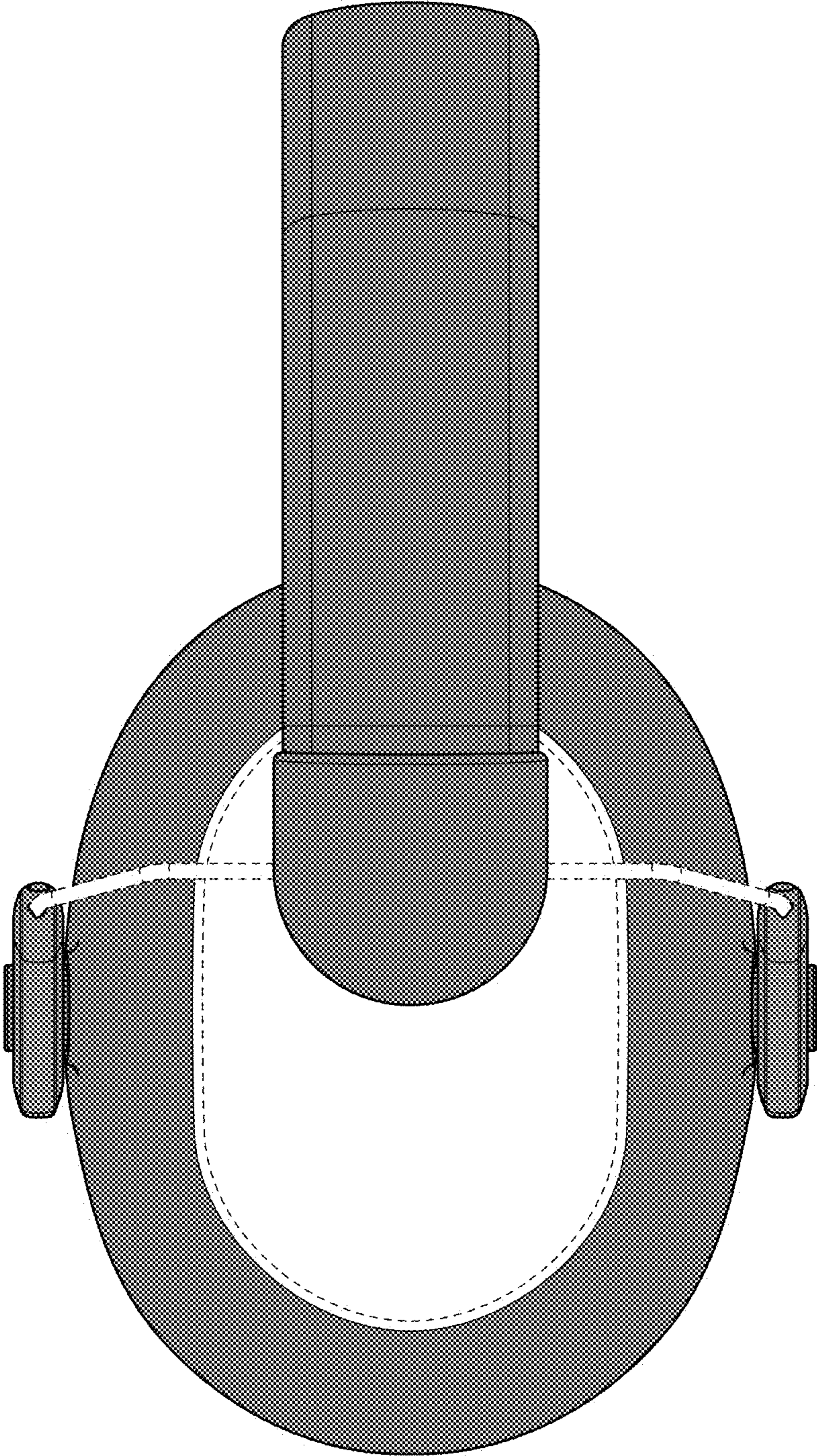


FIG. 3

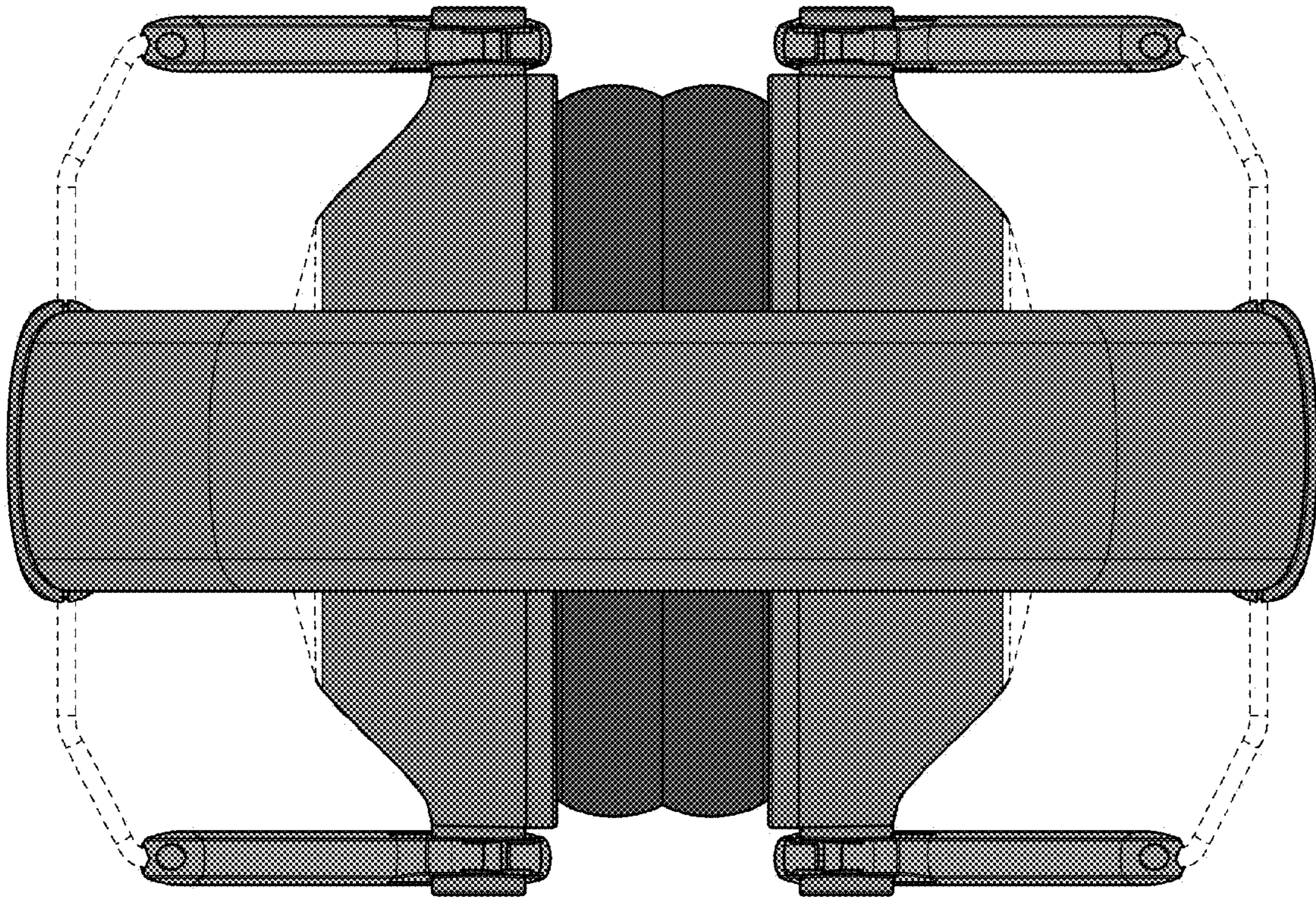


FIG. 4

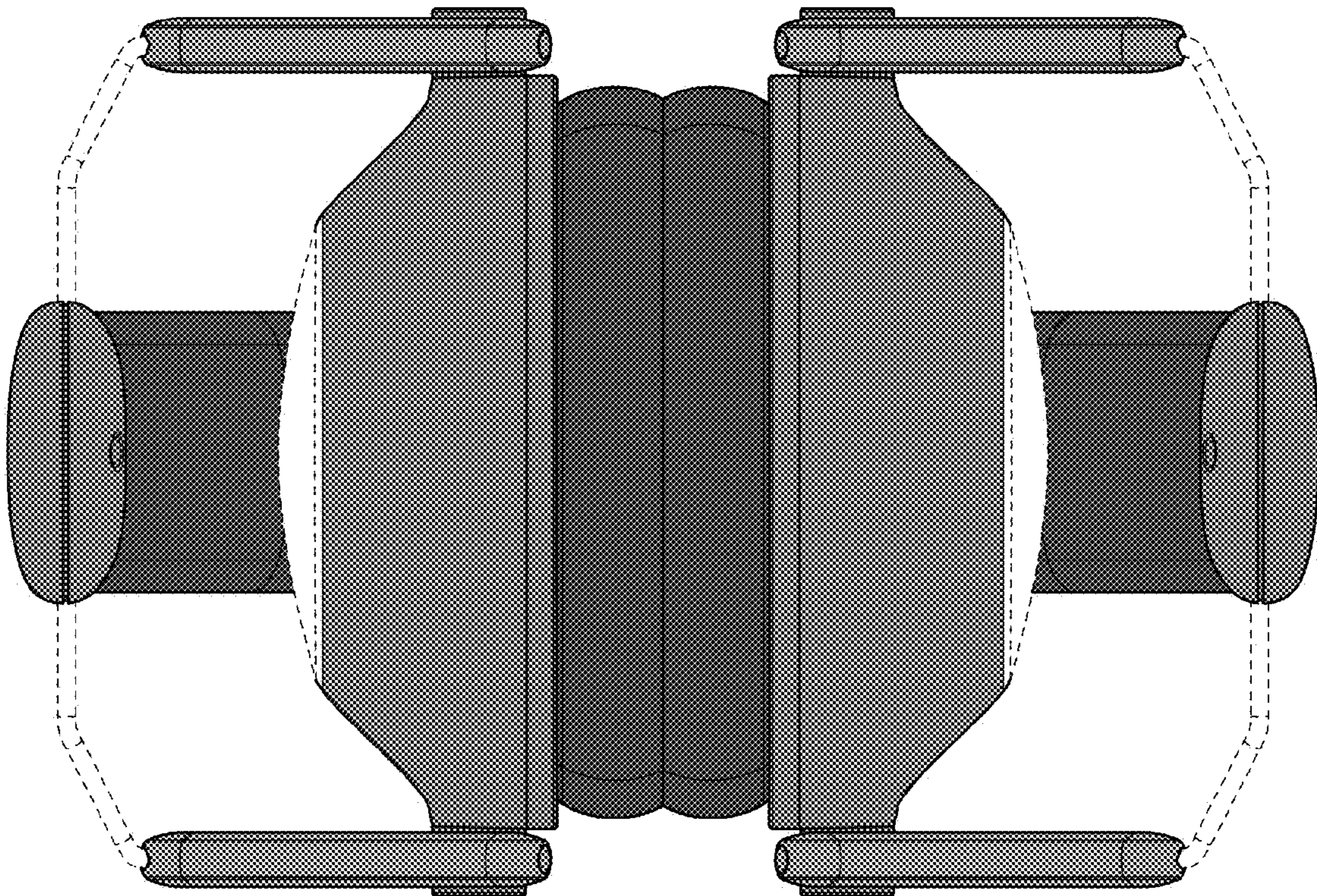


FIG. 5