



US00D980538S

(12) **United States Design Patent**  
**Fischer et al.**

(10) **Patent No.:** **US D980,538 S**  
(45) **Date of Patent:** **\*\* Mar. 7, 2023**

(54) **PERFORATED HELMET**

(71) Applicant: **Vicis IP, LLC**, New York, NY (US)

(72) Inventors: **Kurt Fischer**, Seattle, WA (US); **Rich Curren**, Seattle, WA (US); **Miguel Herrera**, Seattle, WA (US)

(73) Assignee: **VICIS IP, LLC**, New York, NY (US)

(\*\*) Term: **15 Years**

(21) Appl. No.: **29/813,020**

(22) Filed: **Oct. 26, 2021**

**Related U.S. Application Data**

(63) Continuation of application No. 29/696,842, filed on Jul. 1, 2019, now Pat. No. Des. 937,494.

(51) **LOC (14) Cl.** ..... **02-03**

(52) **U.S. Cl.**  
USPC ..... **D29/106; D29/102**

(58) **Field of Classification Search**  
USPC ..... D29/102-111, 122  
CPC .. A42B 3/00; A42B 3/06; A42B 3/066; A42B 3/04; A42B 3/10; A42B 3/12; A42B 3/121; A42B 3/063; A63B 71/10  
See application file for complete search history.

(56) **References Cited**

**U.S. PATENT DOCUMENTS**

|           |      |         |                |                  |
|-----------|------|---------|----------------|------------------|
| 3,274,612 | A    | 9/1966  | Merriam        |                  |
| D465,067  | S    | 10/2002 | Ide et al.     |                  |
| D512,534  | S *  | 12/2005 | Maddux         | D29/106          |
| D587,854  | S    | 3/2009  | Nimmons et al. |                  |
| D603,099  | S *  | 10/2009 | Bologna        | D29/106          |
| D625,050  | S    | 10/2010 | Chen           |                  |
| 8,209,784 | B2 * | 7/2012  | Nimmons        | A42B 3/16<br>2/9 |
| D681,281  | S *  | 4/2013  | Bologna        | D29/106          |
| D694,958  | S    | 12/2013 | Garneau et al. |                  |

|           |      |         |                 |            |
|-----------|------|---------|-----------------|------------|
| D699,895  | S *  | 2/2014  | Hill            | D29/102    |
| D708,395  | S    | 7/2014  | LaRocque        |            |
| D718,001  | S *  | 11/2014 | Garneau         | D29/102    |
| D747,554  | S    | 1/2016  | Daniel          |            |
| 9,289,024 | B2 * | 3/2016  | Withnall        | A42B 3/08  |
| 9,314,063 | B2   | 4/2016  | Bologna et al.  |            |
| D764,116  | S *  | 8/2016  | Collette        | D29/106    |
| D764,716  | S *  | 8/2016  | Bologna         | D29/102    |
| D766,517  | S *  | 9/2016  | Collette        | D29/106    |
| D773,738  | S    | 12/2016 | Collette et al. |            |
| 9,770,060 | B2 * | 9/2017  | Infusino        | A63B 71/10 |
| D805,255  | S *  | 12/2017 | Hefer           | D29/102    |

(Continued)

**OTHER PUBLICATIONS**

Vicis high-tech helmets take top 3 spots (on-line), dated Apr. 20, 2021. Retrieved from Internet Mar. 24, 2022, URL: <https://www.geekwire.com/2021/vicis-high-tech-helmets-take-top-3-spots-nfls-annual-performance-ranking-equipment/> (1 page) (Year: 2021).\*

(Continued)

*Primary Examiner* — Kimberly Barnes

(74) *Attorney, Agent, or Firm* — Fish & Richardson P.C.

(57) **CLAIM**

The ornamental design for a perforated helmet, as shown and described.

**DESCRIPTION**

FIG. 1 is a front-perspective view of a perforated helmet showing our new design;

FIG. 2 is a front view thereof;

FIG. 3 is a rear view thereof;

FIG. 4 is a right-side view thereof;

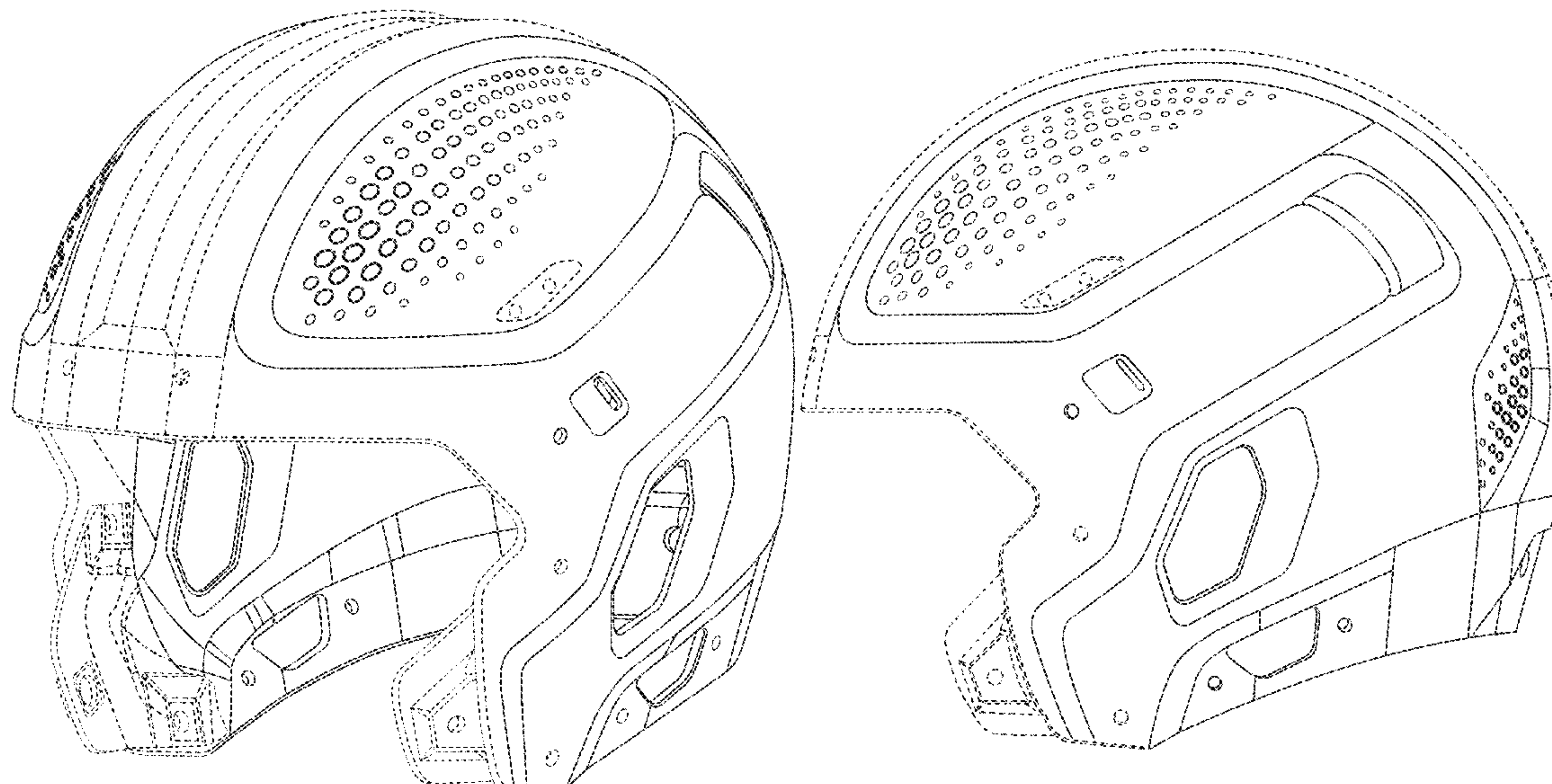
FIG. 5 is a left-side view thereof;

FIG. 6 is a top view thereof; and,

FIG. 7 is a bottom view thereof.

The broken lines illustrate portions of the perforated helmet that form no part of the claimed design.

**1 Claim, 7 Drawing Sheets**



(56)

**References Cited**

U.S. PATENT DOCUMENTS

|              |      |         |                    |                      |
|--------------|------|---------|--------------------|----------------------|
| D809,479     | S    | 2/2018  | Clark et al.       |                      |
| D836,253     | S *  | 12/2018 | Erb .....          | A42B 3/06<br>D29/106 |
| 10,315,095   | B1 * | 6/2019  | Sneed .....        | A42B 3/20            |
| 10,617,167   | B2   | 4/2020  | Baldi              |                      |
| 10,780,338   | B1 * | 9/2020  | Bologna .....      | A42B 3/20            |
| 10,813,403   | B2 * | 10/2020 | Vanhoutin .....    | A42B 3/127           |
| D927,073     | S *  | 8/2021  | Bert .....         | D29/102              |
| D927,078     | S *  | 8/2021  | Bologna .....      | D29/102              |
| D937,494     | S *  | 11/2021 | Fischer .....      | D29/106              |
| 2015/0359285 | A1 * | 12/2015 | Rennaker, II ..... | A42B 3/20<br>2/414   |
| 2016/0183623 | A1   | 6/2016  | Didier et al.      |                      |
| 2017/0196294 | A1   | 7/2017  | Fischer et al.     |                      |
| 2019/0307201 | A1 * | 10/2019 | Neal .....         | A44B 99/00           |
| 2021/0000209 | A1 * | 1/2021  | Neubauer .....     | A42B 3/063           |
| 2021/0106091 | A1 * | 4/2021  | Glover .....       | A42B 3/127           |
| 2021/0204631 | A1 * | 7/2021  | Pahlmeyer .....    | A42B 3/20            |
| 2021/0259350 | A1 * | 8/2021  | Neubauer .....     | A42B 3/225           |
| 2021/0378343 | A1 * | 12/2021 | Riegle .....       | A42B 3/00            |

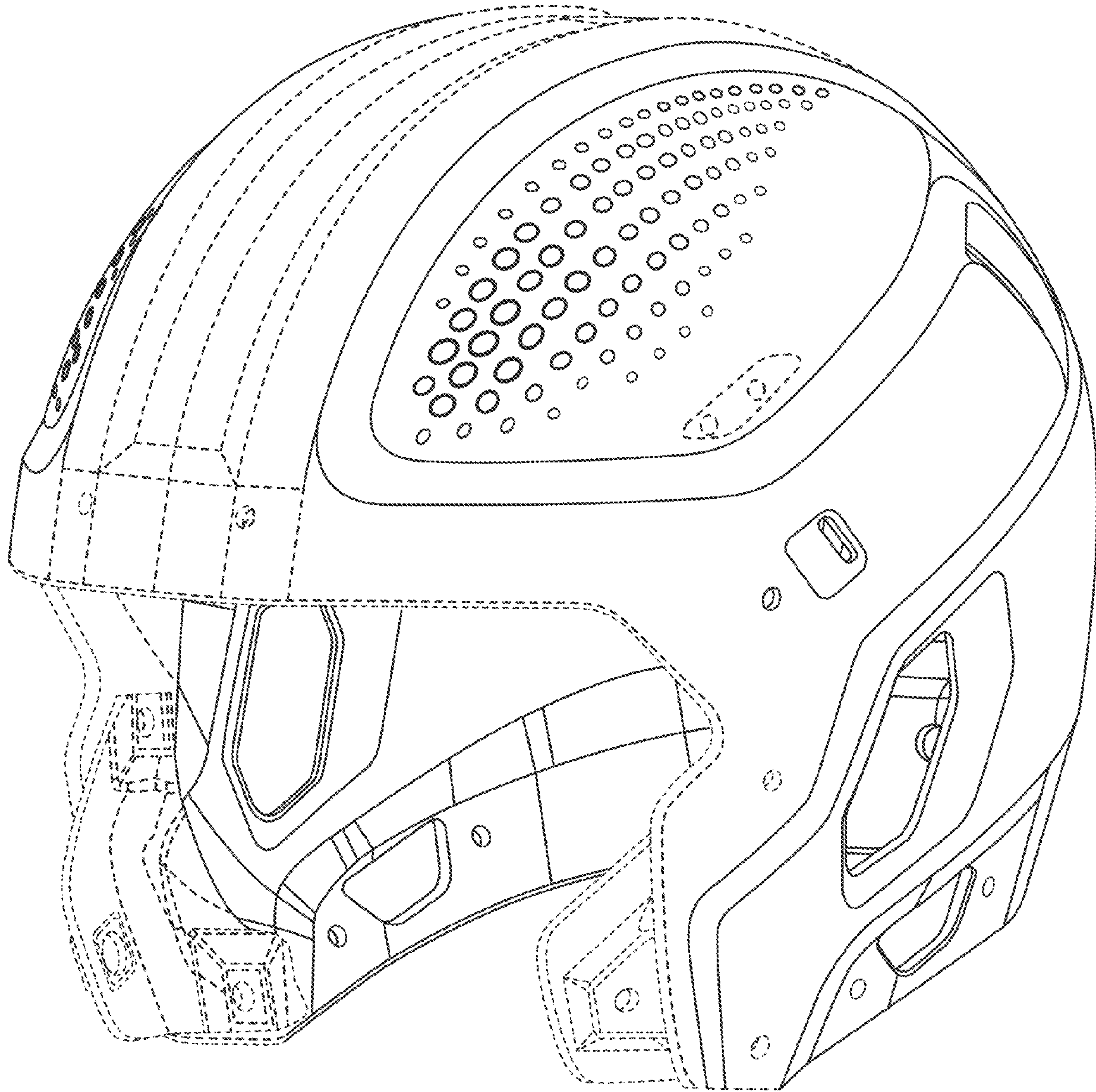
OTHER PUBLICATIONS

Zero2 (on-line), dated Dec. 2, 2020. Retrieved from Internet Mar. 24, 2022, URL: <http://web.archive.org/web/20201202175536/https://www.vicis.com/zero2> (6 pages) (Year: 2020).\*

Zero2 (on-line), dated Dec. 4, 2020. Retrieved from Internet Jan. 26, 2021, URL: <https://web.archive.org/web/20201204192702/https://www.vicis.com/zero2> (5 pages) (Year: 2020).

\* cited by examiner





**FIG. 1**

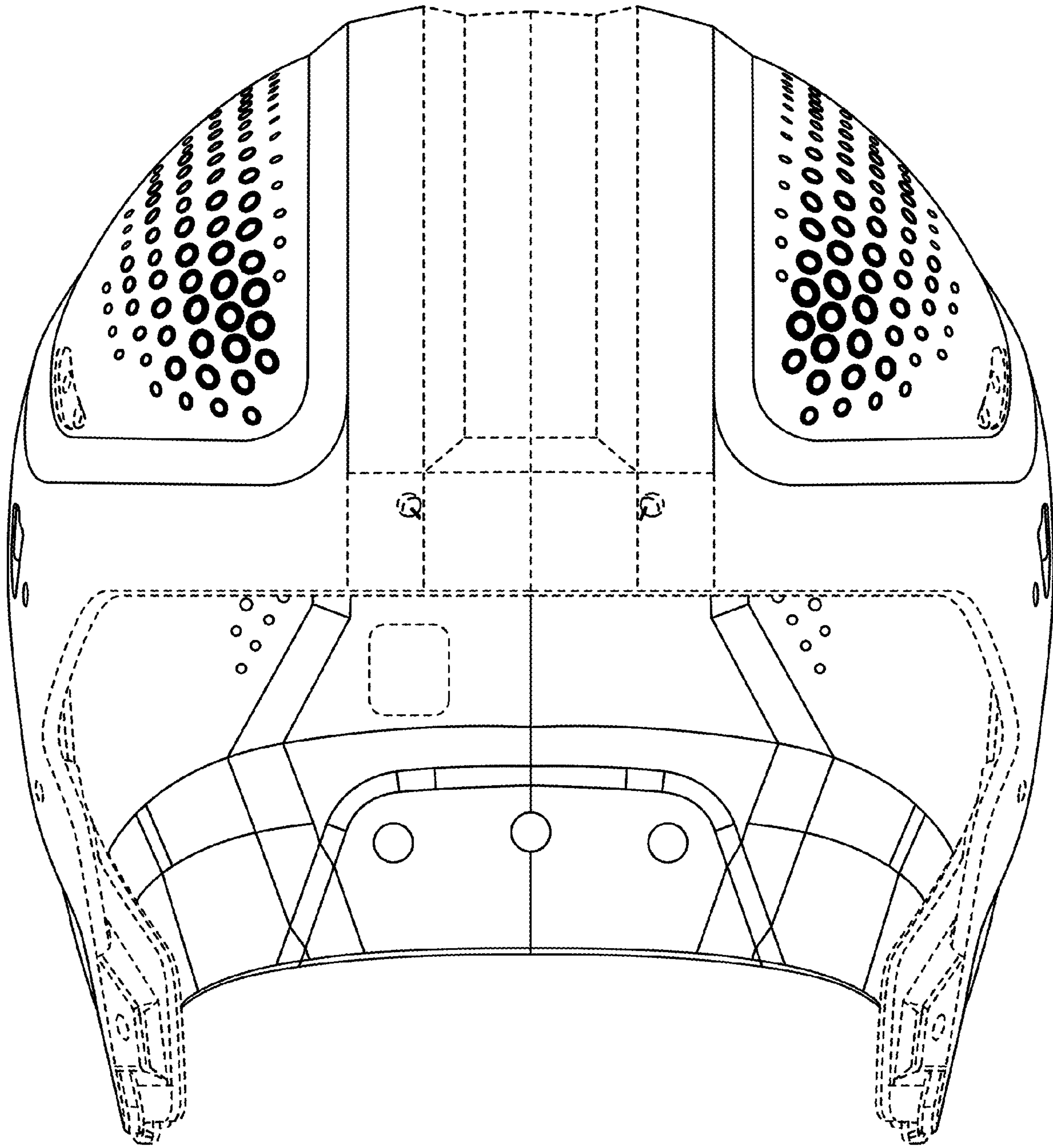
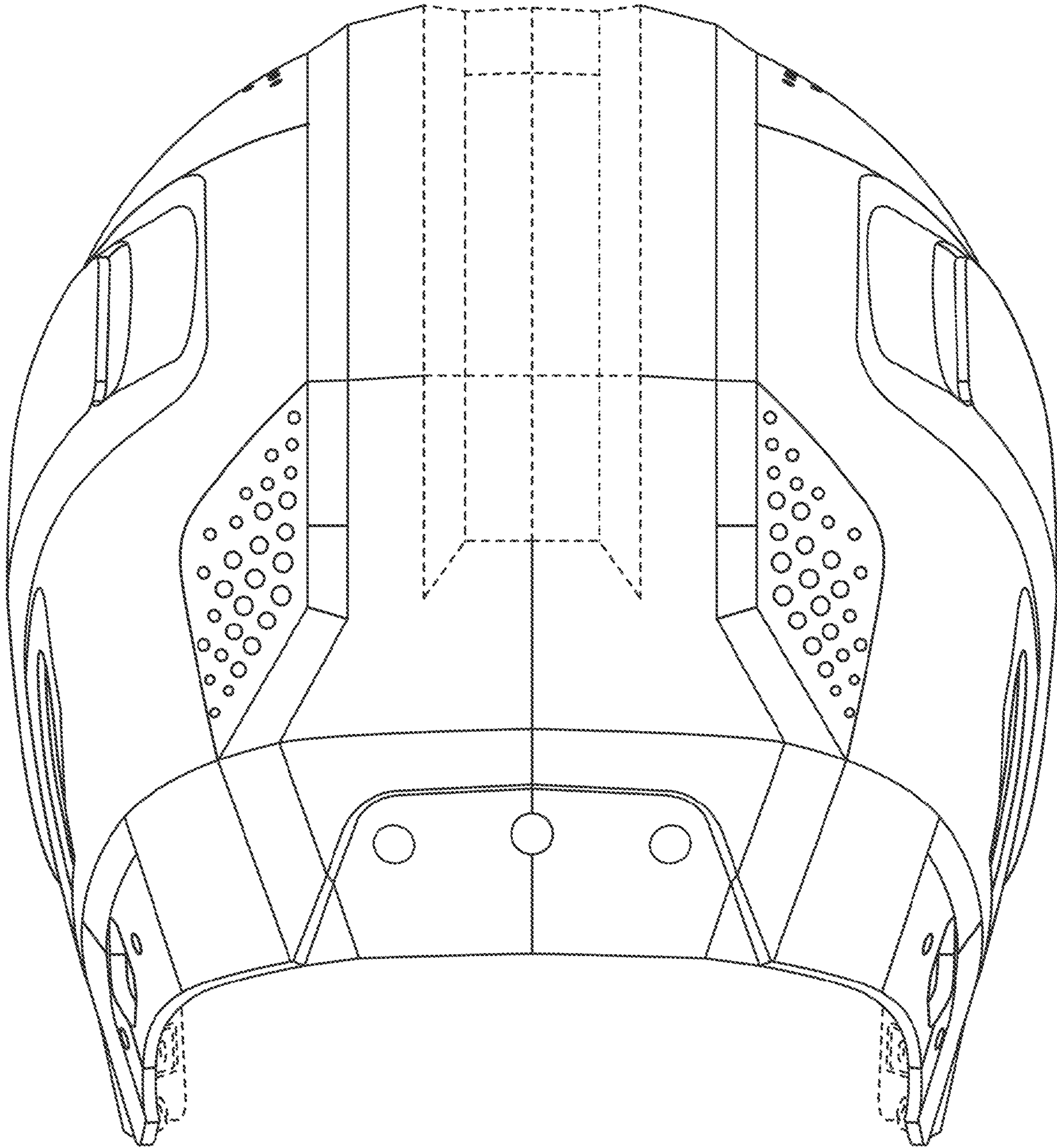


FIG. 2



**FIG. 3**



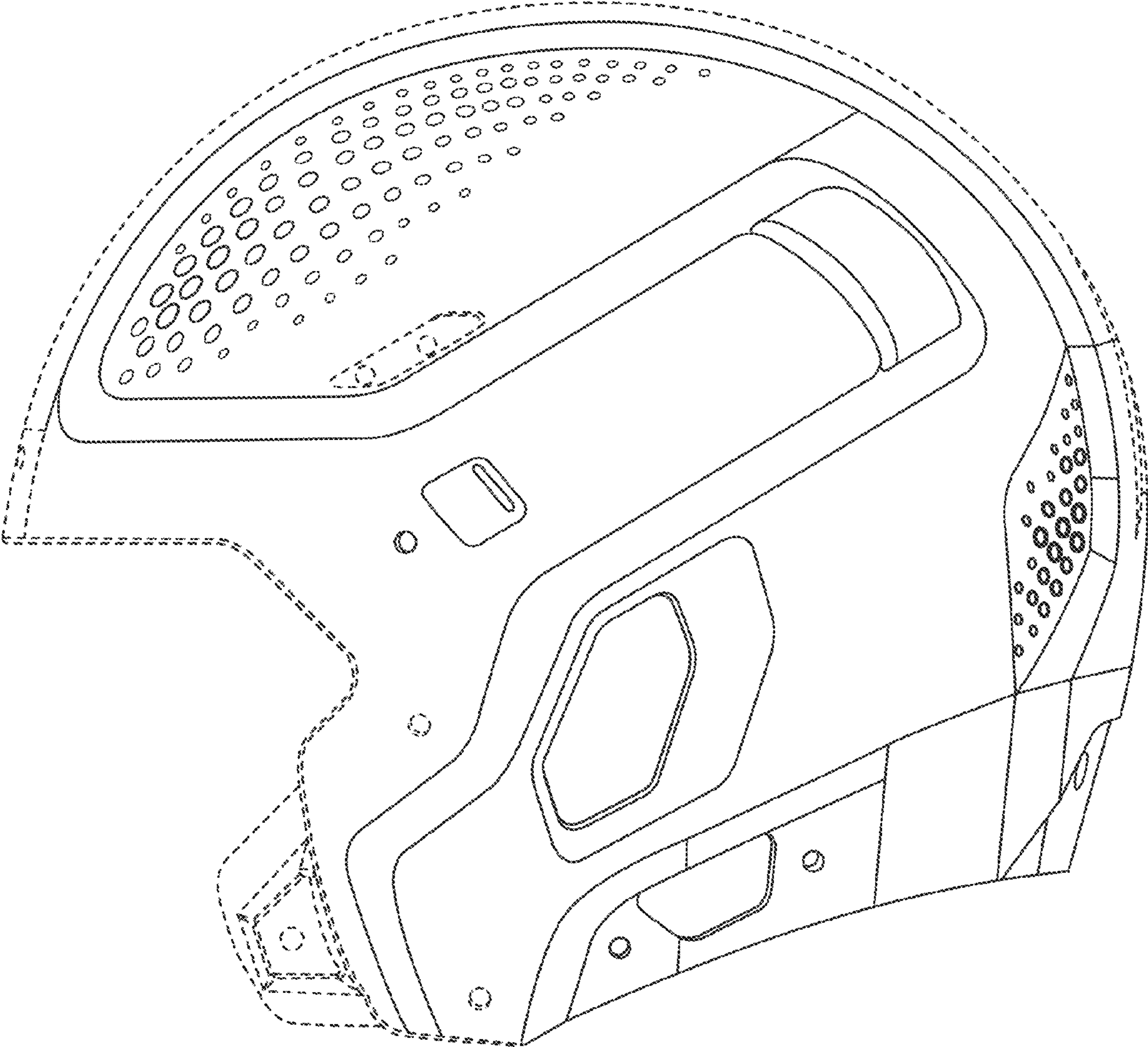


FIG. 4

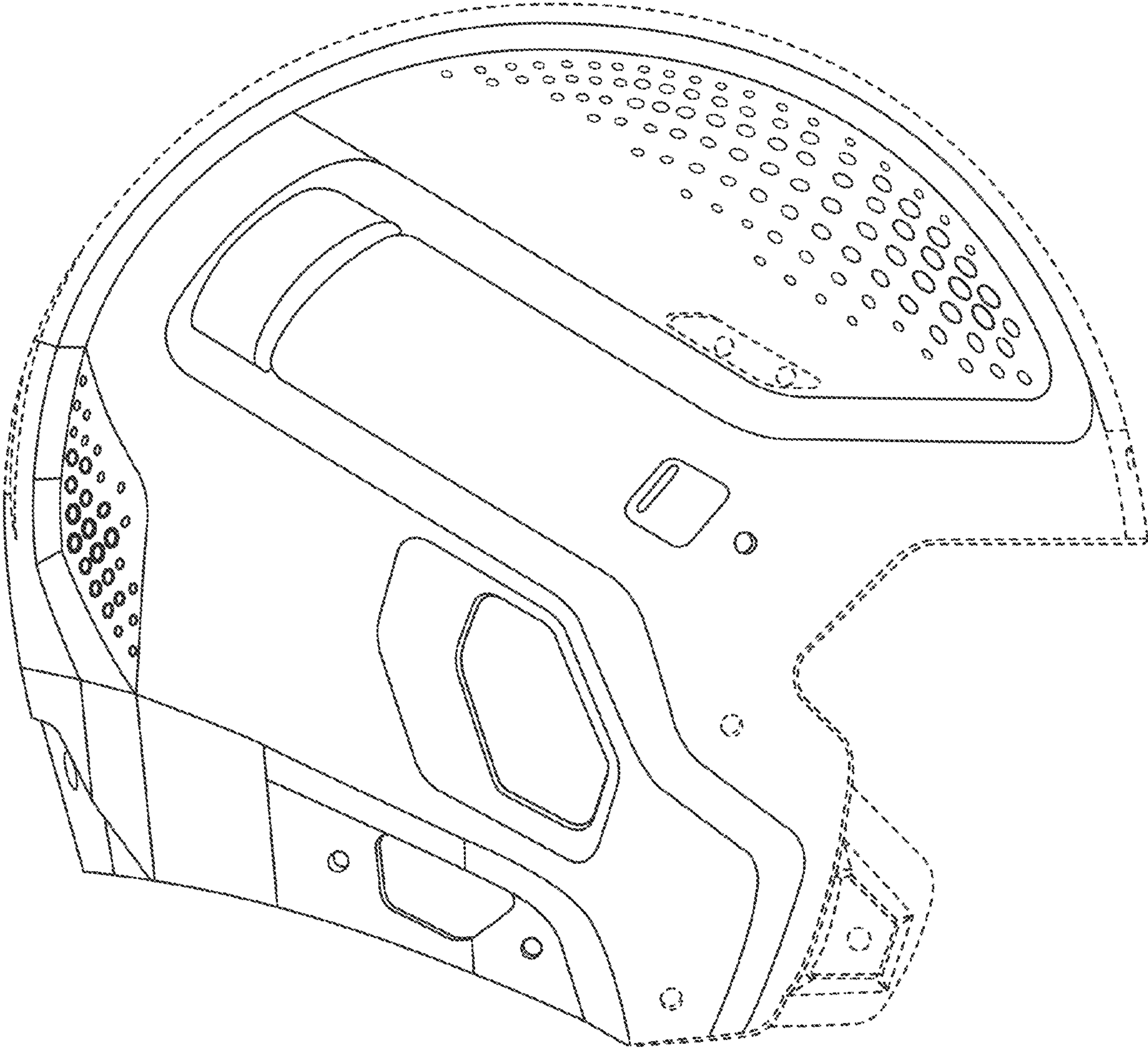


FIG. 5

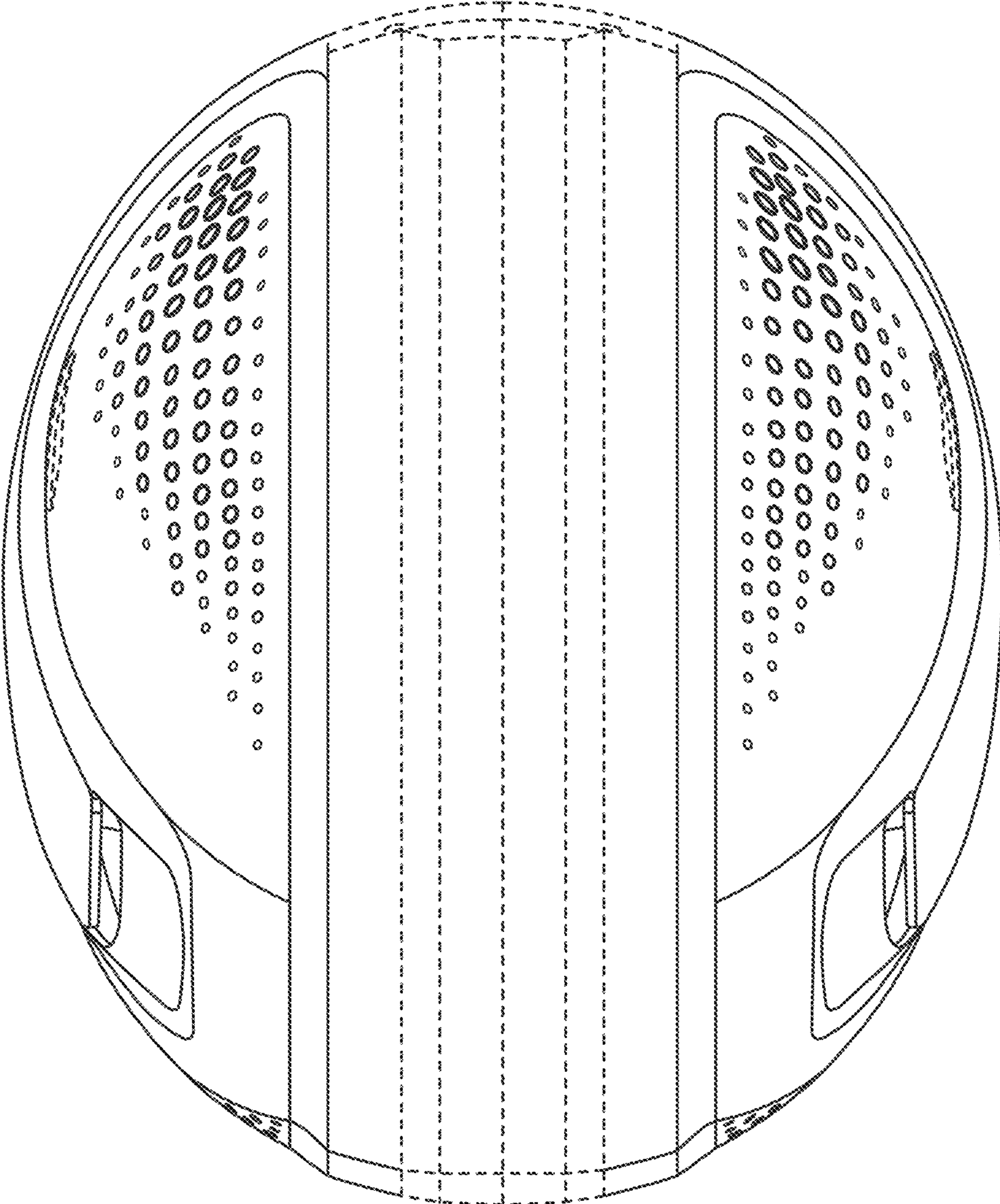


FIG. 6



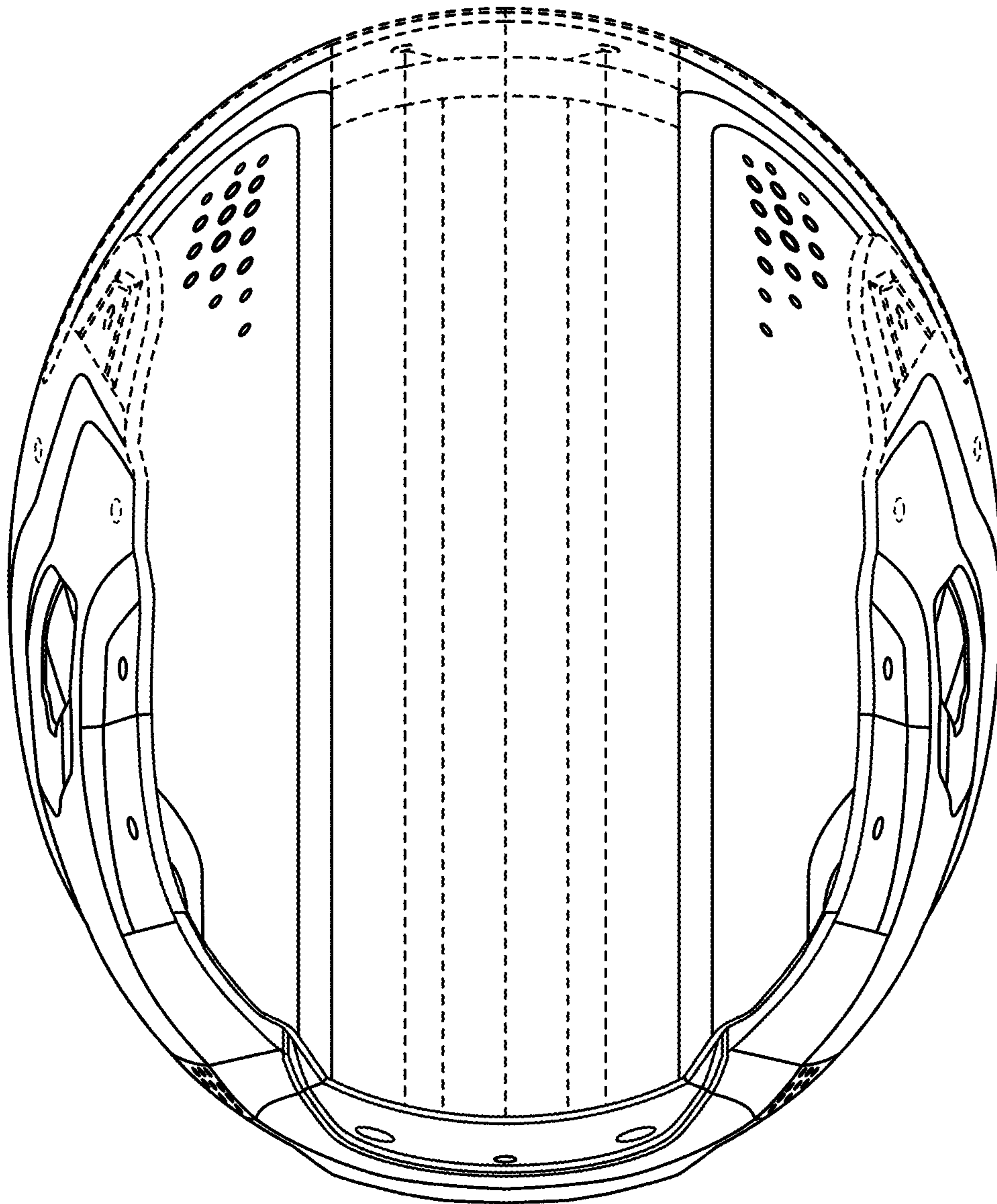


FIG. 7