



US00D980535S

(12) **United States Design Patent** (10) **Patent No.:** **US D980,535 S**
Sun (45) **Date of Patent:** **** Mar. 7, 2023**

(54) **HAIR TRIMMING CARTRIDGE**

(71) Applicant: **Shenzhen Shouzheng Chuqi Technology Co., Ltd., Shenzhen (CN)**

(72) Inventor: **Mengyi Sun, Shenzhen (CN)**

(**) Term: **15 Years**

(21) Appl. No.: **29/843,896**

(22) Filed: **Jun. 24, 2022**

(51) **LOC (14) Cl.** **28-03**

(52) **U.S. Cl.**
USPC **D28/54**

(58) **Field of Classification Search**
USPC D28/49-54
CPC B26B 19/14-18; B26B 19/148; B26B 19/06-08; B26B 19/3826; B26B 19/3813; B26B 19/10
See application file for complete search history.

(56) **References Cited**

U.S. PATENT DOCUMENTS

D617,497 S	6/2010	Goodhead	
D619,301 S	7/2010	Wattam et al.	
D675,379 S *	1/2013	Yoon	D28/54
D760,955 S *	7/2016	Haas	D28/54
D879,377 S *	3/2020	Dawson	D28/54
D922,684 S *	6/2021	Sikora	D28/54
D961,852 S *	8/2022	Van Roosmalen	D28/54
D967,528 S *	10/2022	Goeder	D28/47

FOREIGN PATENT DOCUMENTS

CN	113290583 A *	8/2021	B26B 19/06
EP	4032667 A1 *	7/2022	B26B 19/04

OTHER PUBLICATIONS

Goad 14 pcs Dog Clippers by Goad, www.amazon.com, first available Oct. 2020, 1 page (Year: 2020).*
Gimars 2 in 1 low noise dog shaver, www.amazon.com, first available Jan. 2021, 1 page (Year: 2021).*
Otstar Professional Dog Grooming kit, www.amazon.com, first available Nov. 2017, 1 page (Year: 2017).*

* cited by examiner

Primary Examiner — Jennifer Rivard

(74) *Attorney, Agent, or Firm* — Daniel M. Cohn; Howard M. Cohn

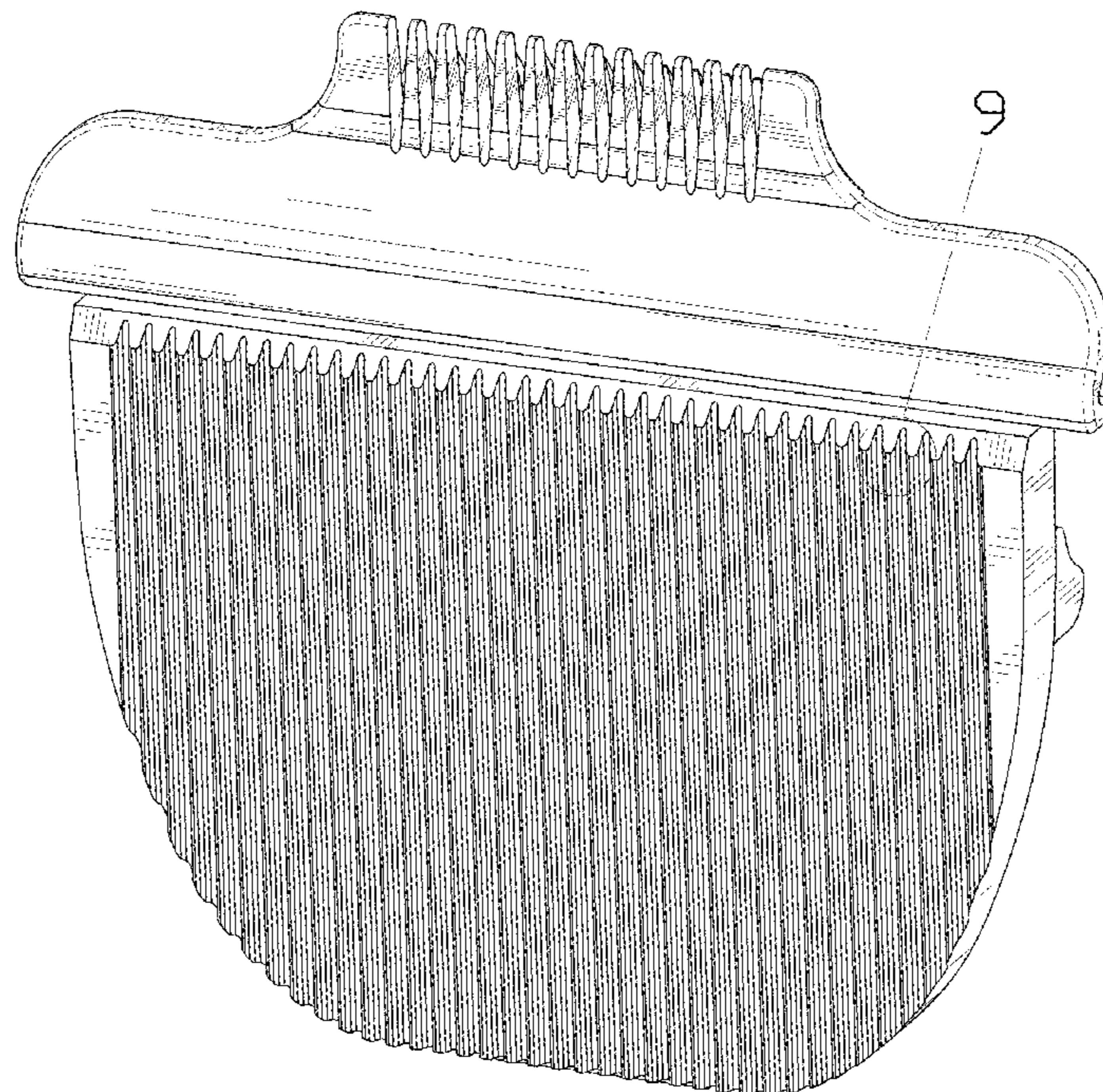
(57) **CLAIM**

The ornamental design for a hair trimming cartridge, as shown and described.

DESCRIPTION

FIG. 1 is a perspective view of a hair trimming cartridge showing my new design;
FIG. 2 is another perspective view thereof;
FIG. 3 is a front elevational view thereof;
FIG. 4 is a rear elevational view thereof;
FIG. 5 is a left side elevational view thereof;
FIG. 6 is a right side elevational view thereof;
FIG. 7 is a top plan view thereof;
FIG. 8 is a bottom plan view thereof; and,
FIG. 9 is an enlarged view of portion 9 shown in FIG. 1. The dash-dash broken lines in the drawings depict portions of the hair trimming cartridge that form no part of the claimed design. The dash dot dash broken lines reference the enlarged, partial view and form no part of the claimed design.

1 Claim, 9 Drawing Sheets



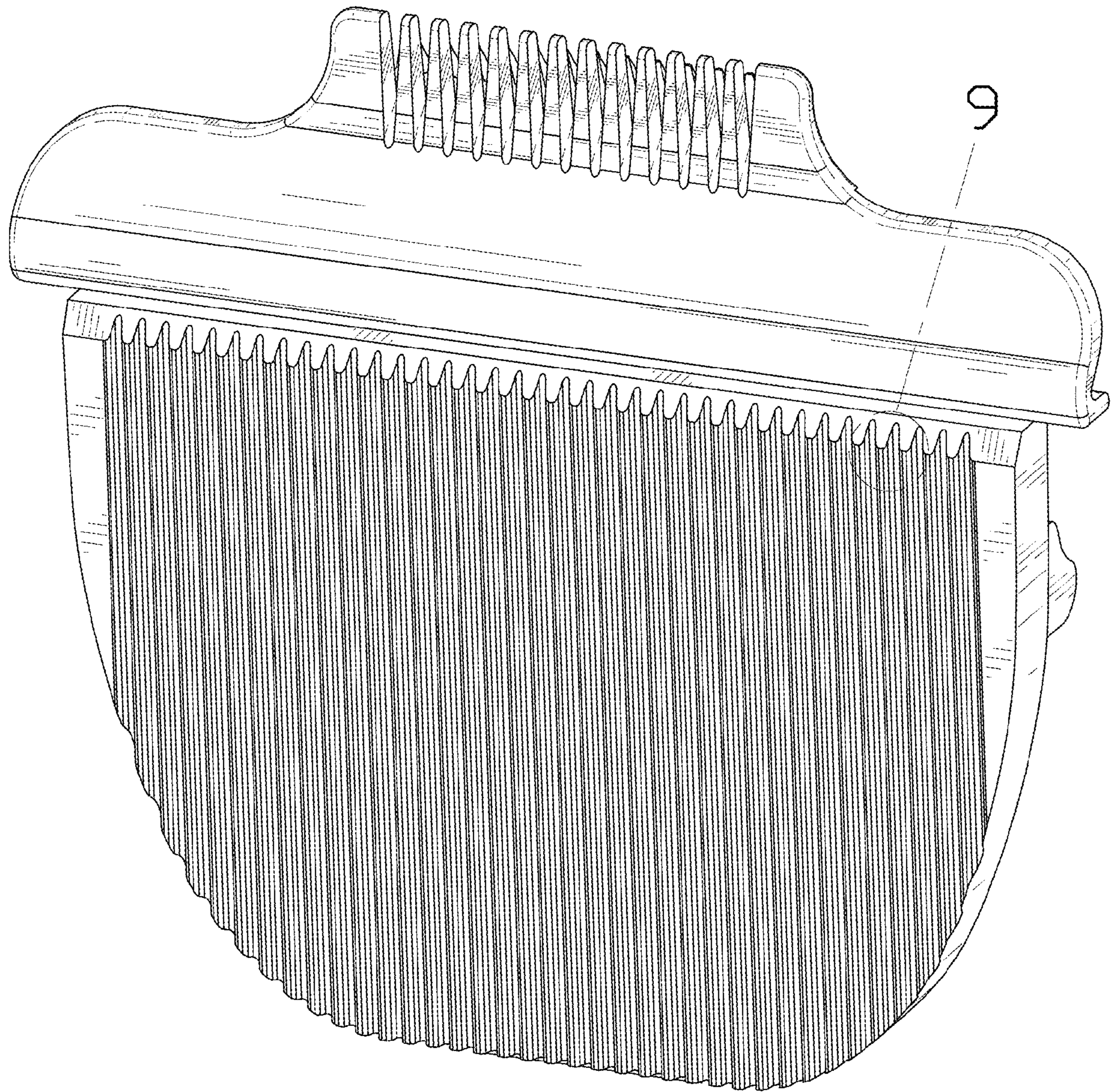


FIG. 1

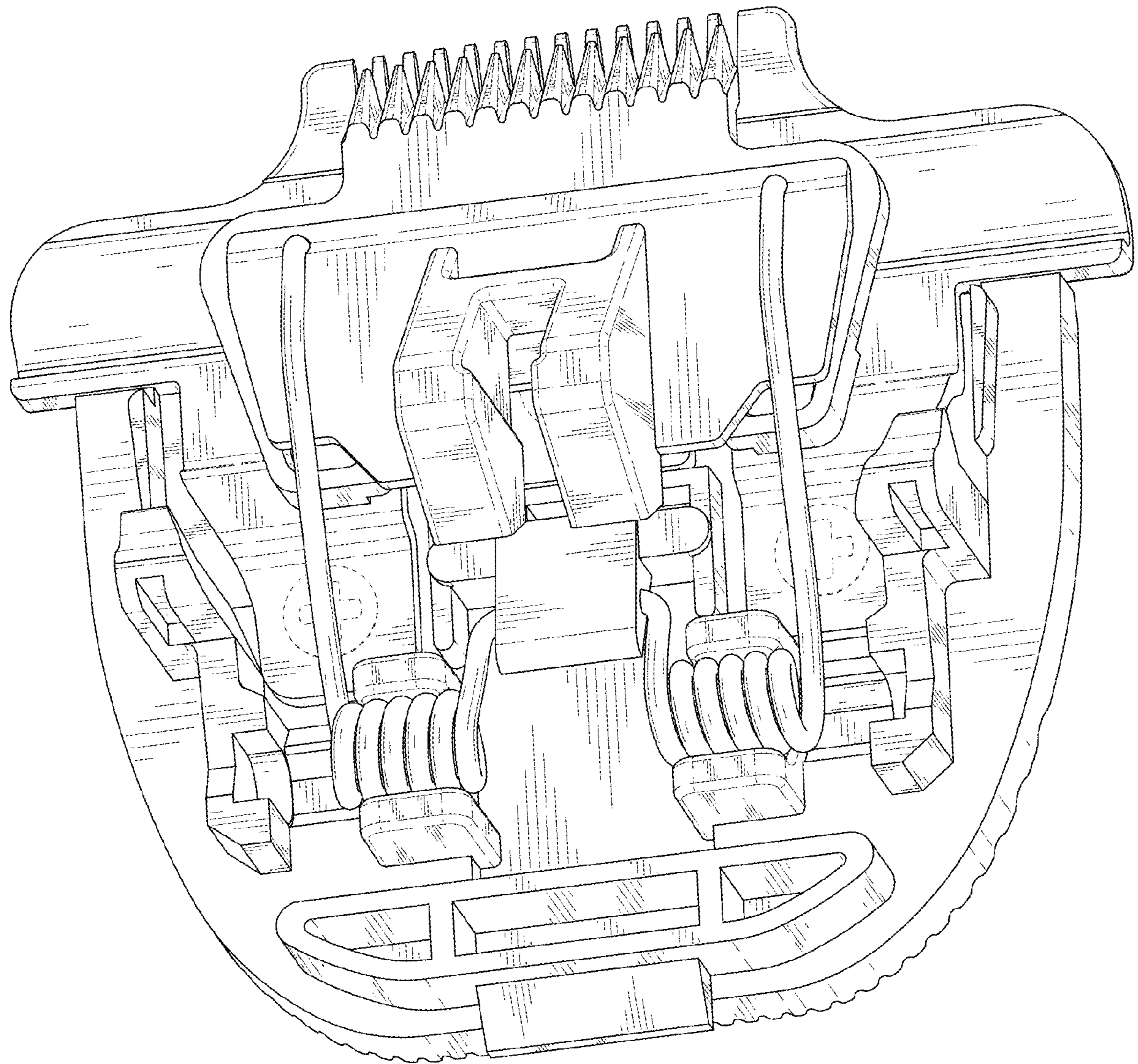


FIG. 2

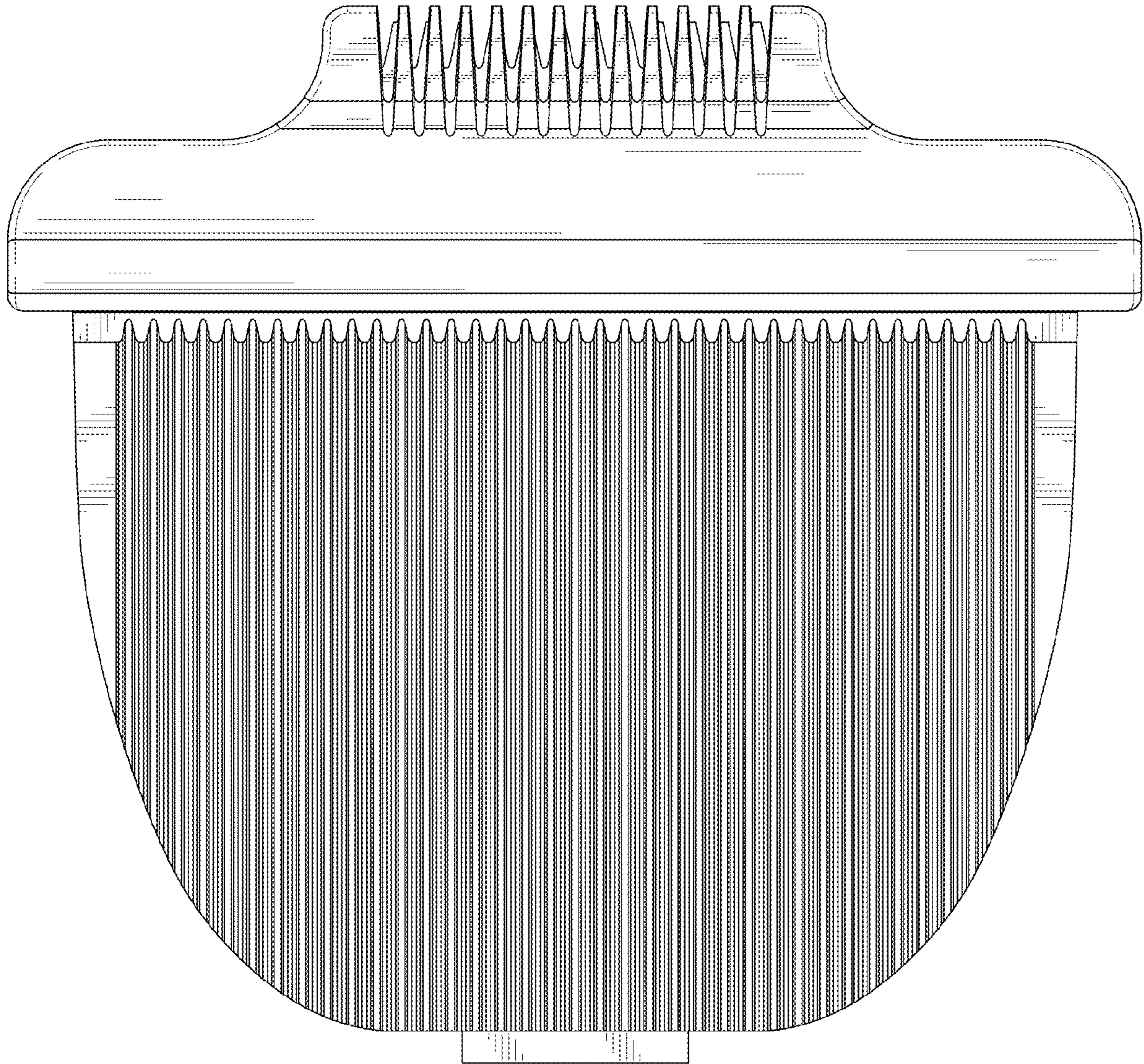


FIG. 3

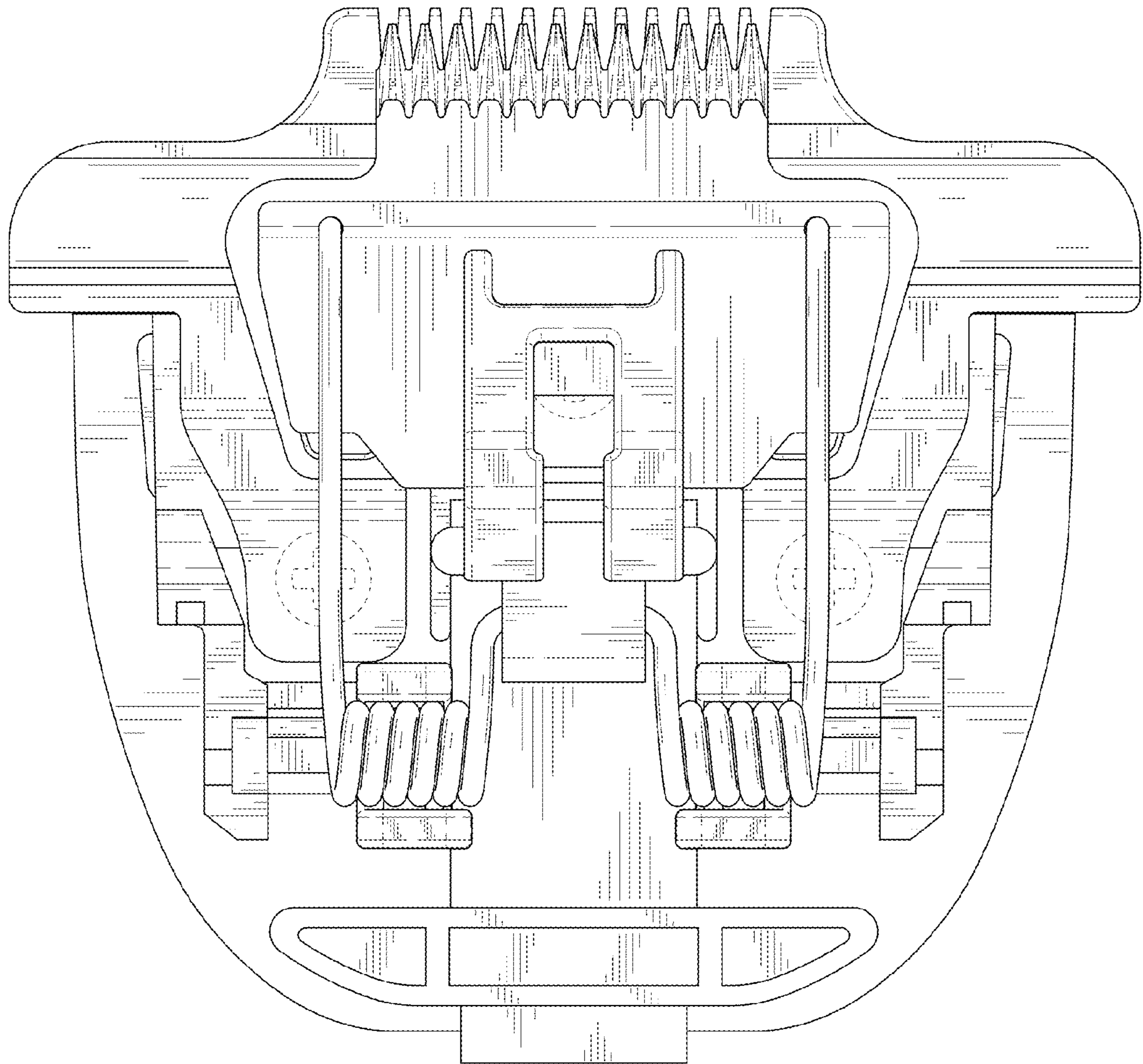


FIG. 4

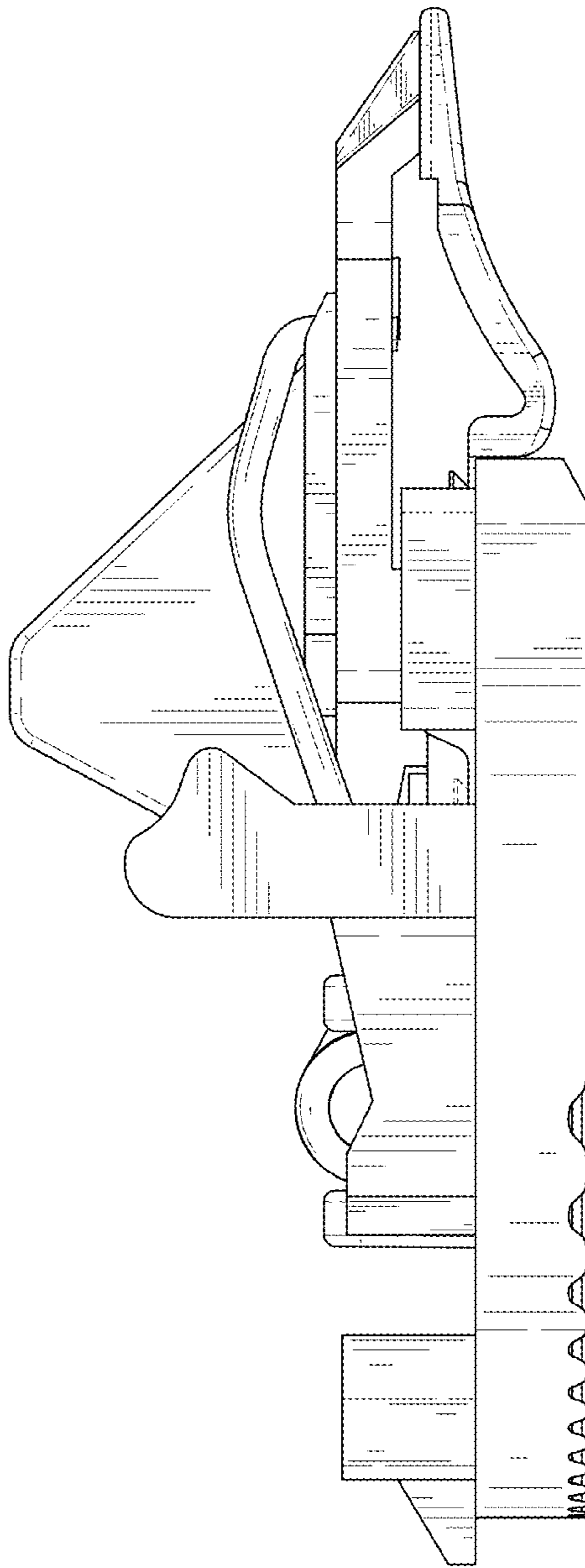


FIG. 5

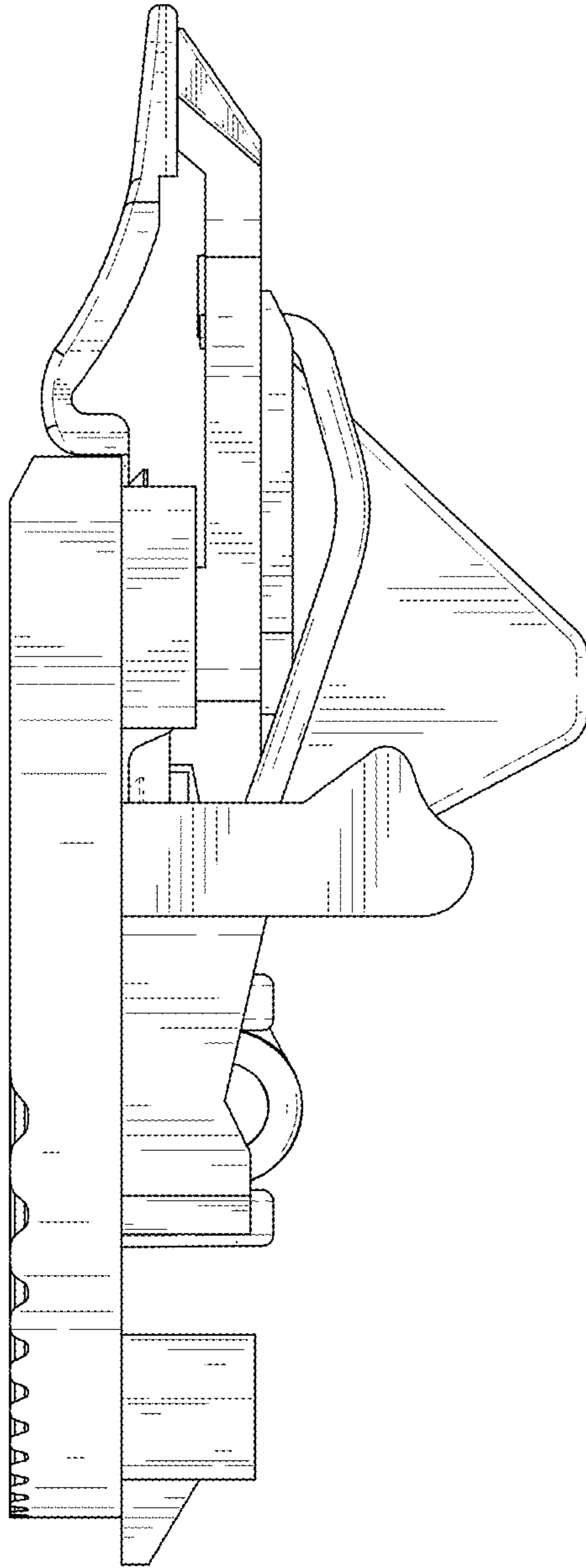


FIG. 6

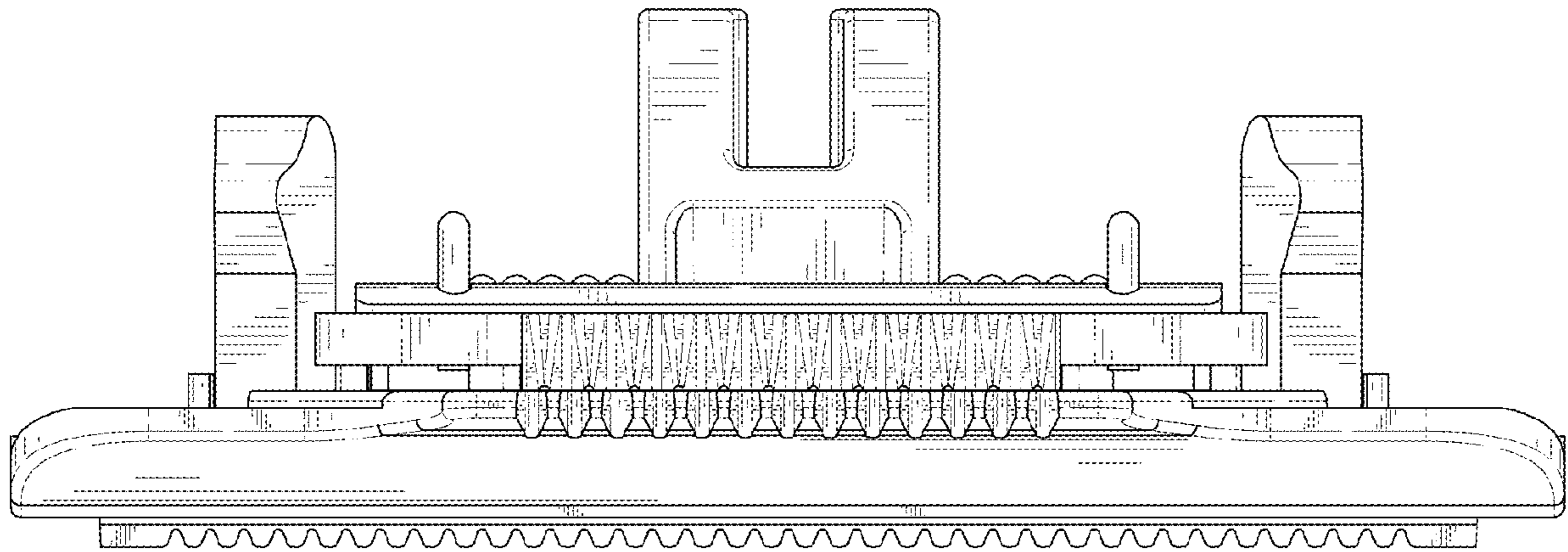


FIG. 7

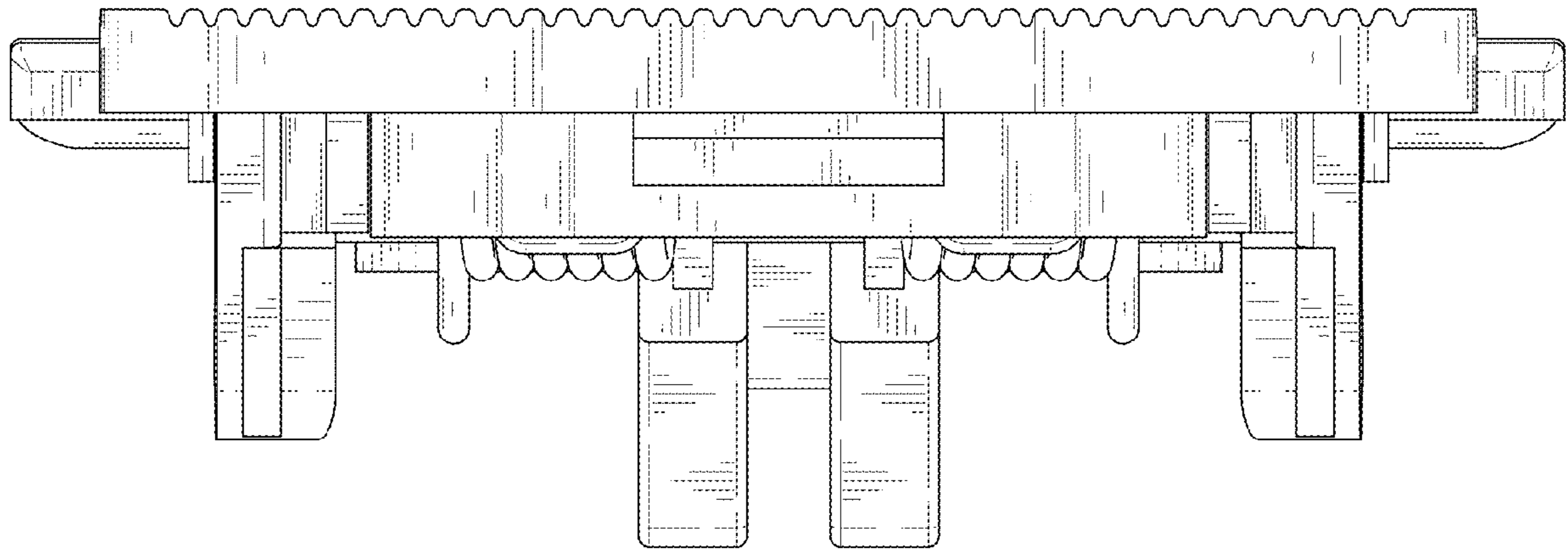


FIG. 8

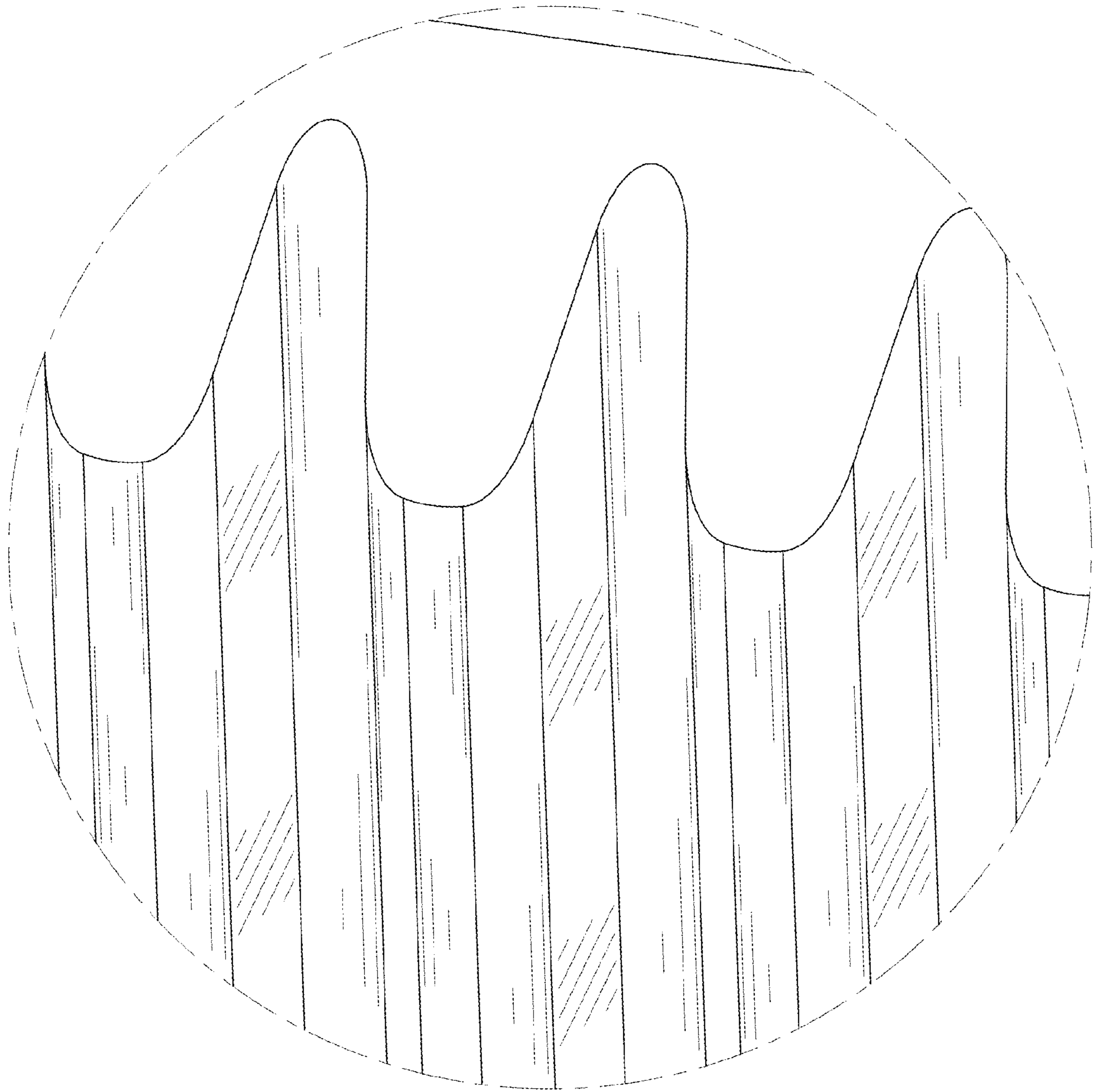


FIG. 9