



US00D980534S

(12) **United States Design Patent** (10) **Patent No.:** **US D980,534 S**
Li (45) **Date of Patent:** **** Mar. 7, 2023**

(54) **CLIPPER GUIDE COMB**
(71) Applicant: **Xiangzhou Li**, Guangdong (CN)
(72) Inventor: **Xiangzhou Li**, Guangdong (CN)
(**) Term: **15 Years**
(21) Appl. No.: **29/835,971**
(22) Filed: **Apr. 22, 2022**
(30) **Foreign Application Priority Data**

Apr. 15, 2022 (CN) 202230213191.5

(51) **LOC (14) Cl.** **28-03**

(52) **U.S. Cl.**
USPC **D28/54**

(58) **Field of Classification Search**
USPC D28/44-54
CPC B26B 19/00; B26B 19/04; B26B 19/06;
B26B 19/10; B26B 19/18; B26B 19/38;
B26B 19/20; B26B 19/28; B26B 19/30;
B26B 19/3873; B26B 19/3853
See application file for complete search history.

(56) **References Cited**

U.S. PATENT DOCUMENTS

4,709,475 A * 12/1987 Phung B26B 21/12
132/76.2
6,079,103 A * 6/2000 Melton B26B 19/20
30/79
D565,793 S * 4/2008 Wallace D28/54
D617,497 S * 6/2010 Goodhead D28/47
D619,301 S * 7/2010 Wattam D28/47
10,293,500 B1 * 5/2019 Baker B26B 19/22
D888,336 S * 6/2020 Zoot D28/34

(Continued)

OTHER PUBLICATIONS

Clipper Blades vs Clipper Guards _ Whats the Difference _ YouTube,
published Nov. 12, 2018, retrieved on Jul. 29, 2022, retrieved from:
<https://www.youtube.com/watch?v=mMC7DeyBrKA>.*

(Continued)

Primary Examiner — Alison M Ofstun
(74) *Attorney, Agent, or Firm* — ScienBiziP, P.C.

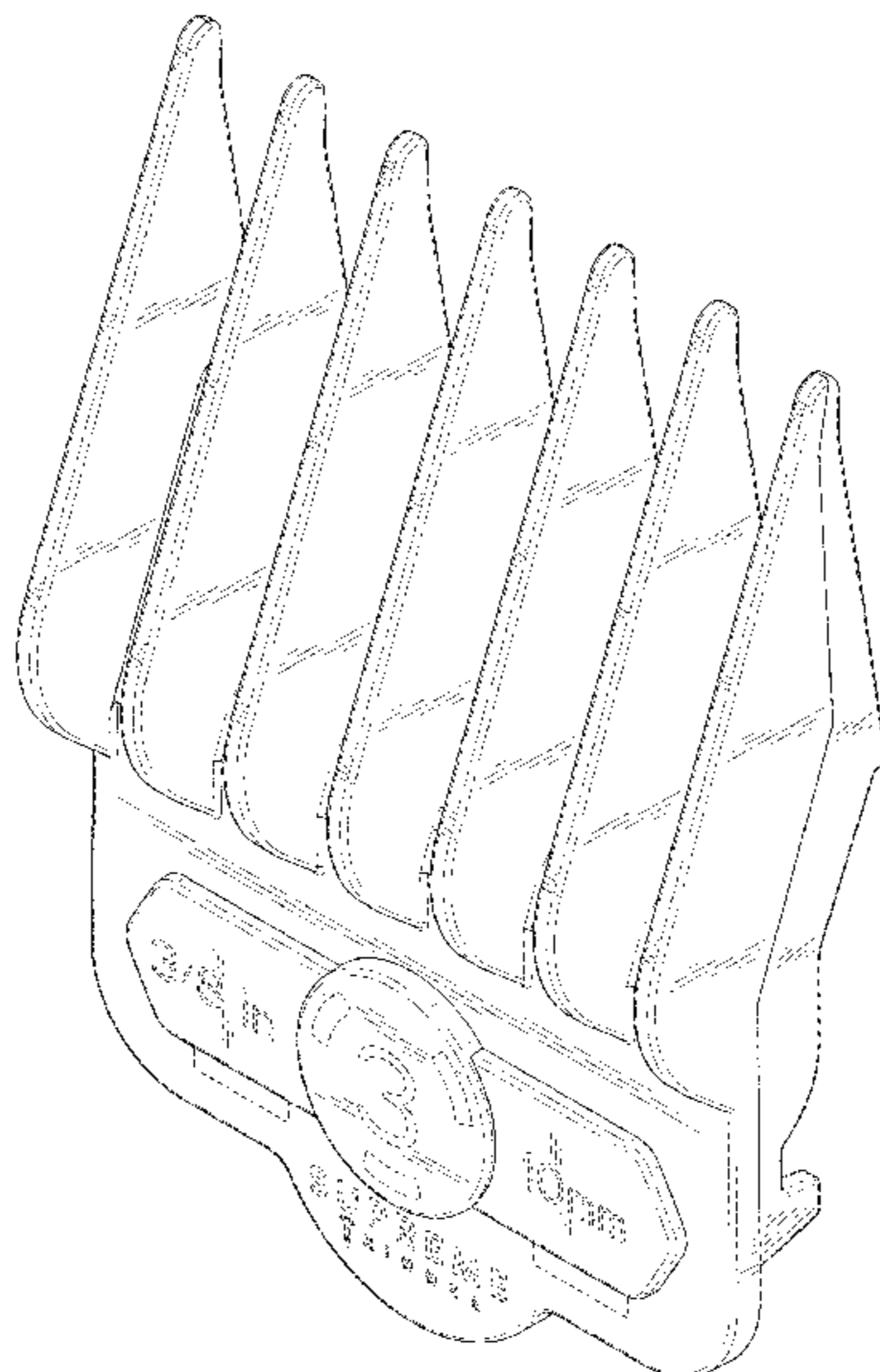
(57) **CLAIM**

The ornamental design for a clipper guide comb, as shown and described.

DESCRIPTION

FIG. 1 is a front, right and top perspective view of a first embodiment of a clipper guide comb.
FIG. 2 is a rear, left and bottom perspective view thereof.
FIG. 3 is a front elevation view thereof.
FIG. 4 is a rear elevation view thereof.
FIG. 5 is a left side elevation view thereof.
FIG. 6 is a right side elevation view thereof.
FIG. 7 is a top plan view thereof.
FIG. 8 is a bottom plan view thereof.
FIG. 9 is a front, right and top perspective view of a second embodiment of the clipper guide comb.
FIG. 10 is a rear, left and bottom perspective view of the second embodiment of the clipper guide comb of FIG. 9.
FIG. 11 is a front elevation view of the second embodiment of the clipper guide comb of FIG. 9.
FIG. 12 is a rear elevation view of the second embodiment of the clipper guide comb of FIG. 9.
FIG. 13 is a left side elevation view of the second embodiment of the clipper guide comb of FIG. 9.
FIG. 14 is a right side elevation view of the second embodiment of the clipper guide comb of FIG. 9.
FIG. 15 is a top plan view of the second embodiment of the clipper guide comb of FIG. 9; and,
FIG. 16 is a bottom plan view of the second embodiment of the clipper guide comb of FIG. 9.
The broken lines shown in the drawings depict portions of the clipper guide comb that form no part of the claimed design.

1 Claim, 16 Drawing Sheets



(56)

References Cited

U.S. PATENT DOCUMENTS

D897,036 S 9/2020 Alejandro
10,946,537 B2* 3/2021 Danmola B26B 19/20
D943,829 S 2/2022 Bailey
D947,455 S * 3/2022 Jiang D28/54
2008/0072437 A1* 3/2008 Michel B26B 19/20
30/201
2009/0019706 A1* 1/2009 Werner B26B 19/3813
30/233.5
2011/0265331 A1* 11/2011 Moseman B26B 19/205
30/286
2018/0056533 A1* 3/2018 Johnson B26B 19/3846

OTHER PUBLICATIONS

Andis Double Magnet Guards VS Single Magnet Guards, The Barber Teezy, published on Jun. 15, 2017 on youtube.com, retrieved from: <https://www.youtube.com/watch?v=luehQ4RJEyA>.*

* cited by examiner

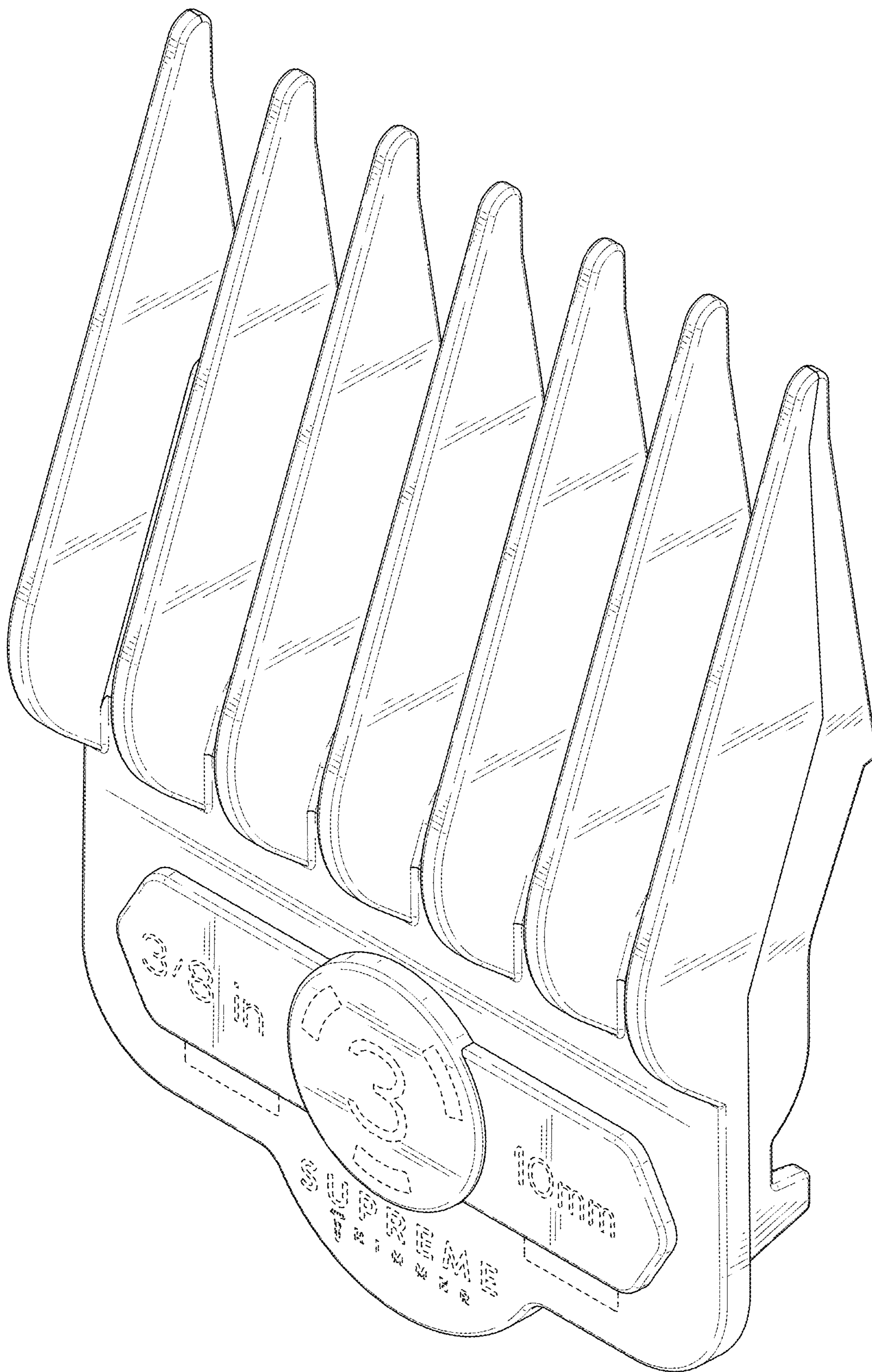


FIG. 1

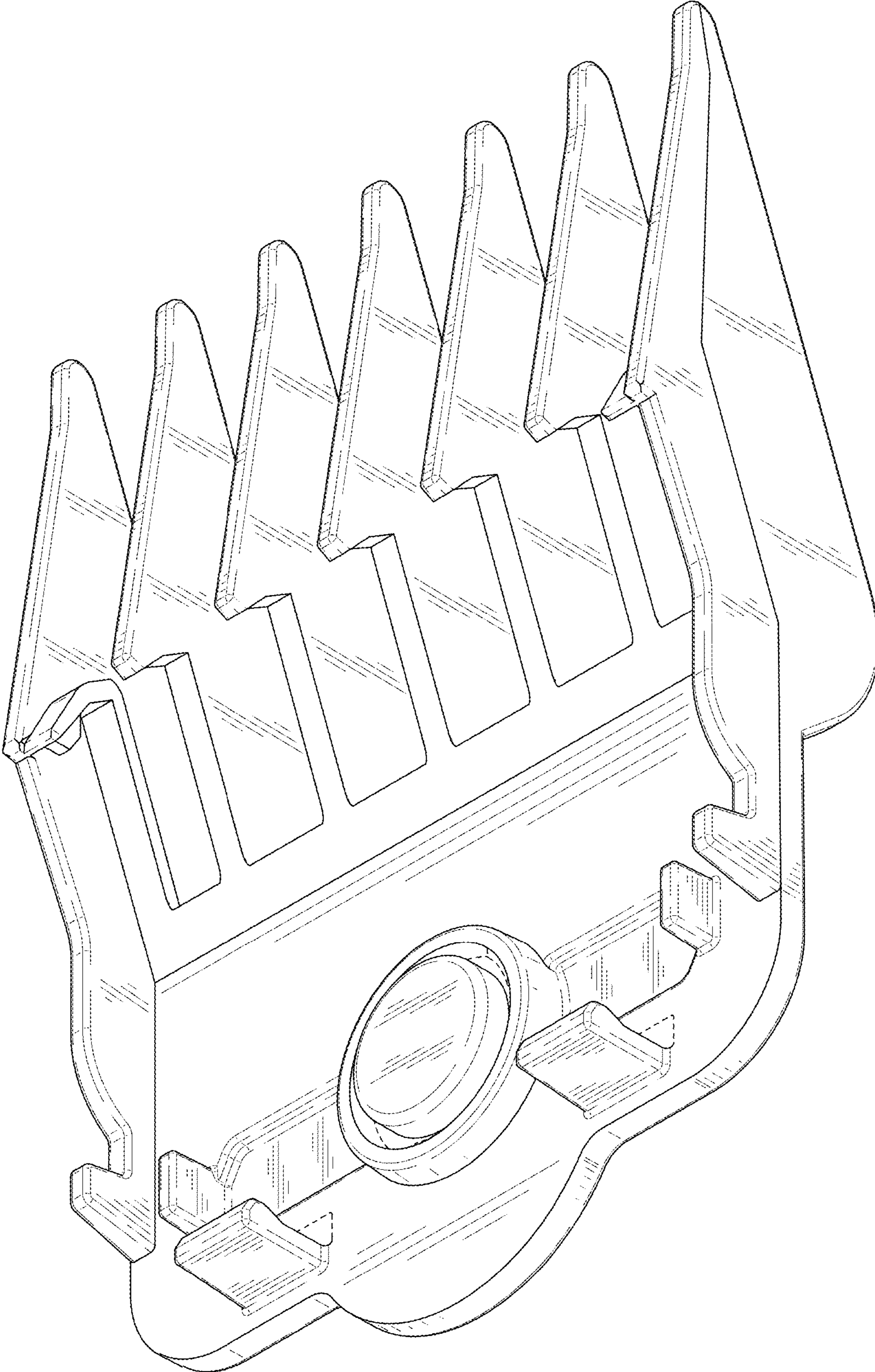


FIG. 2

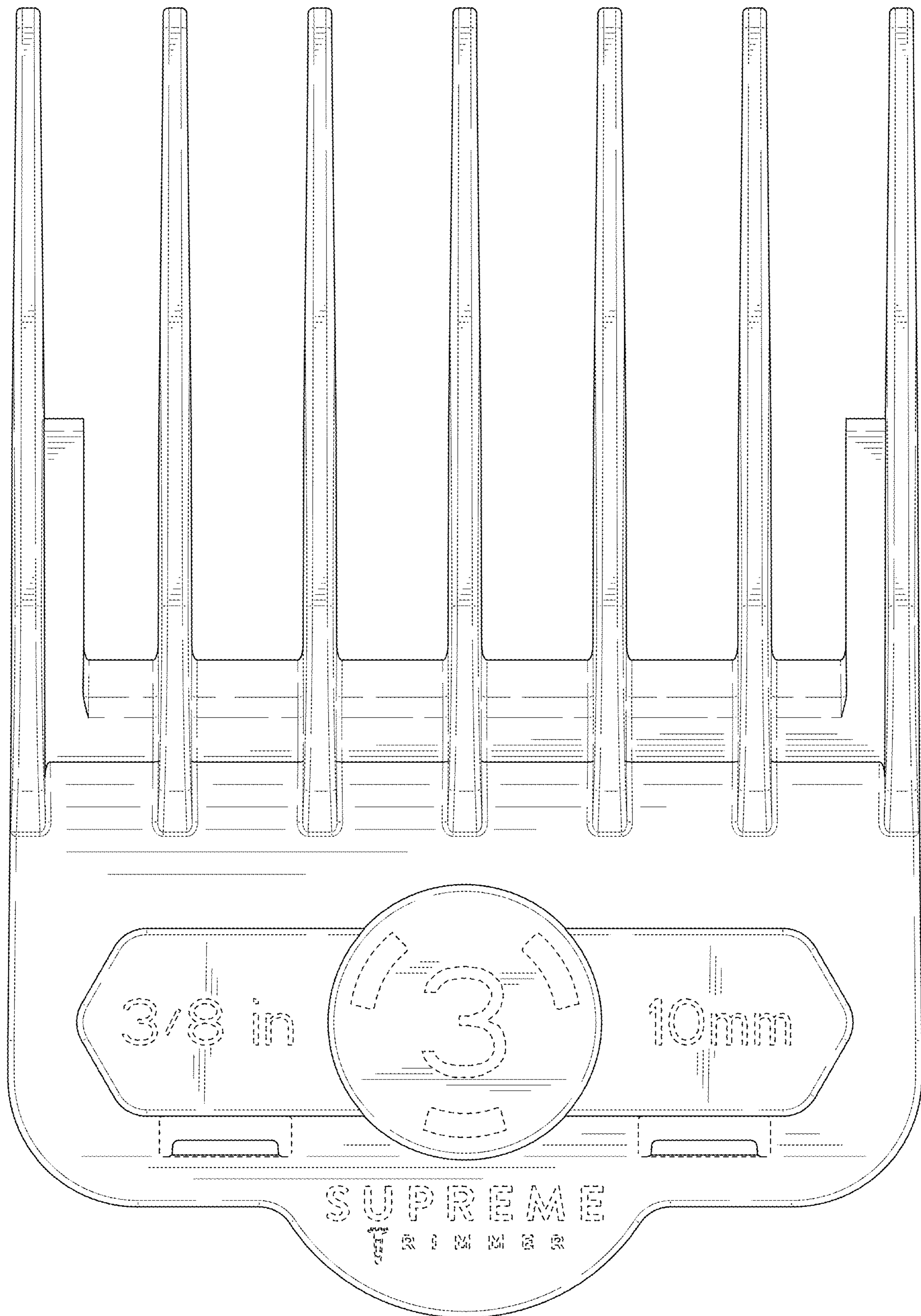


FIG. 3

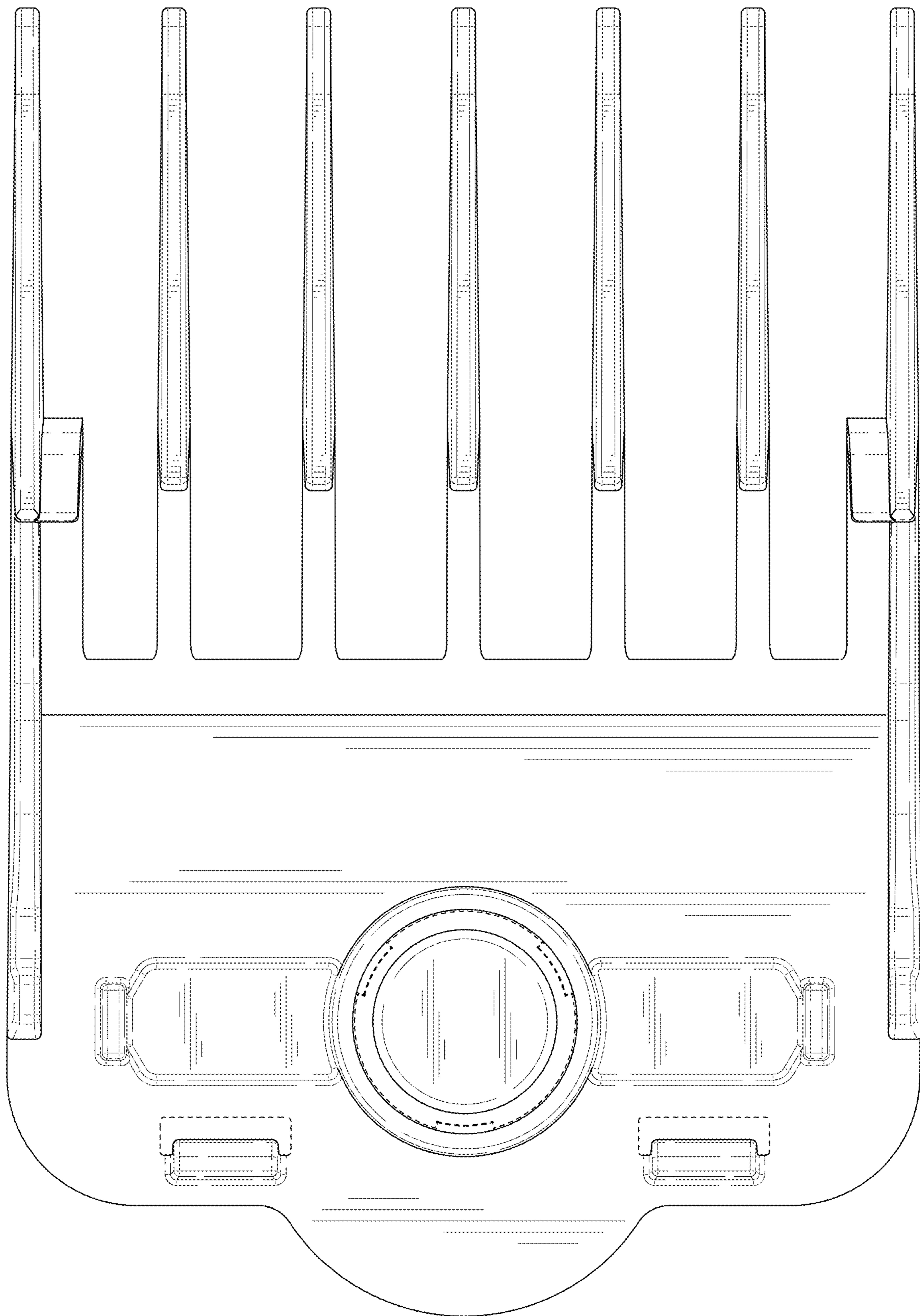


FIG. 4

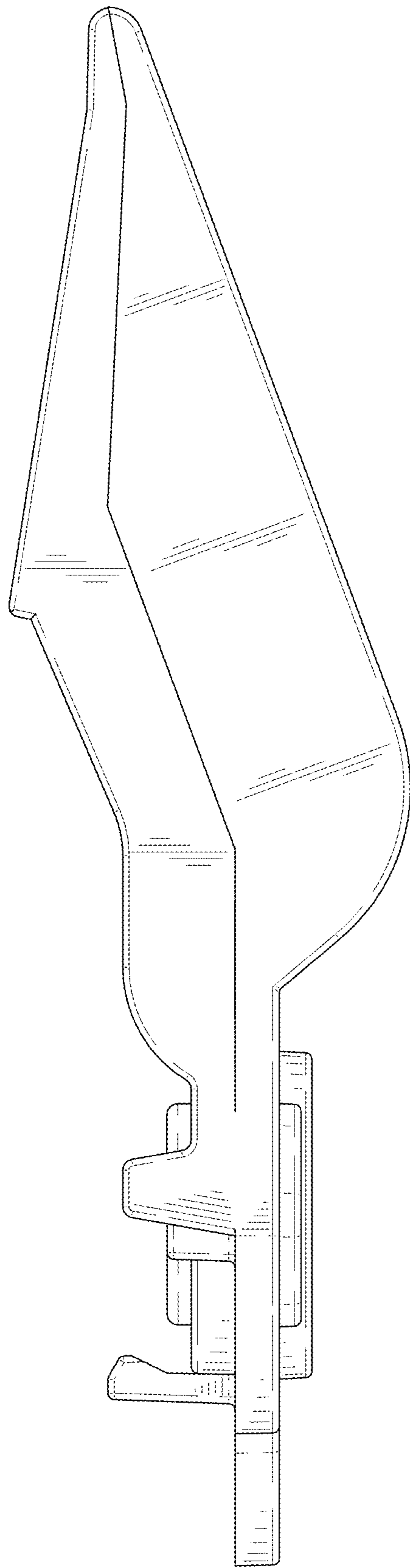


FIG. 5

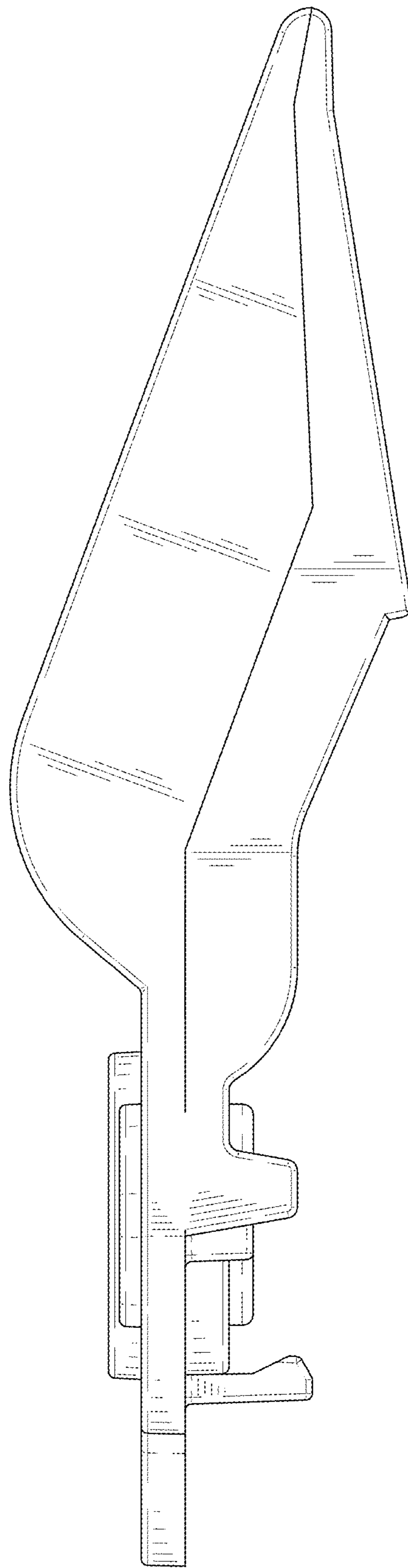


FIG. 6

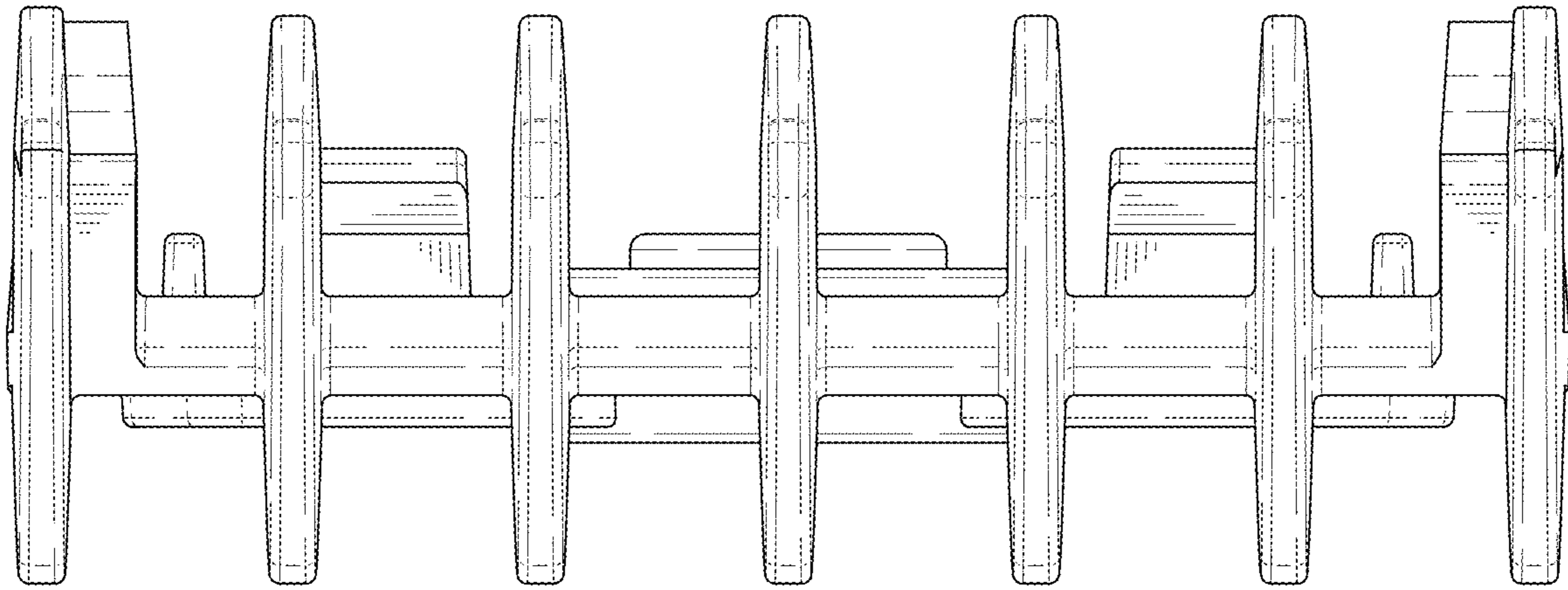


FIG. 7

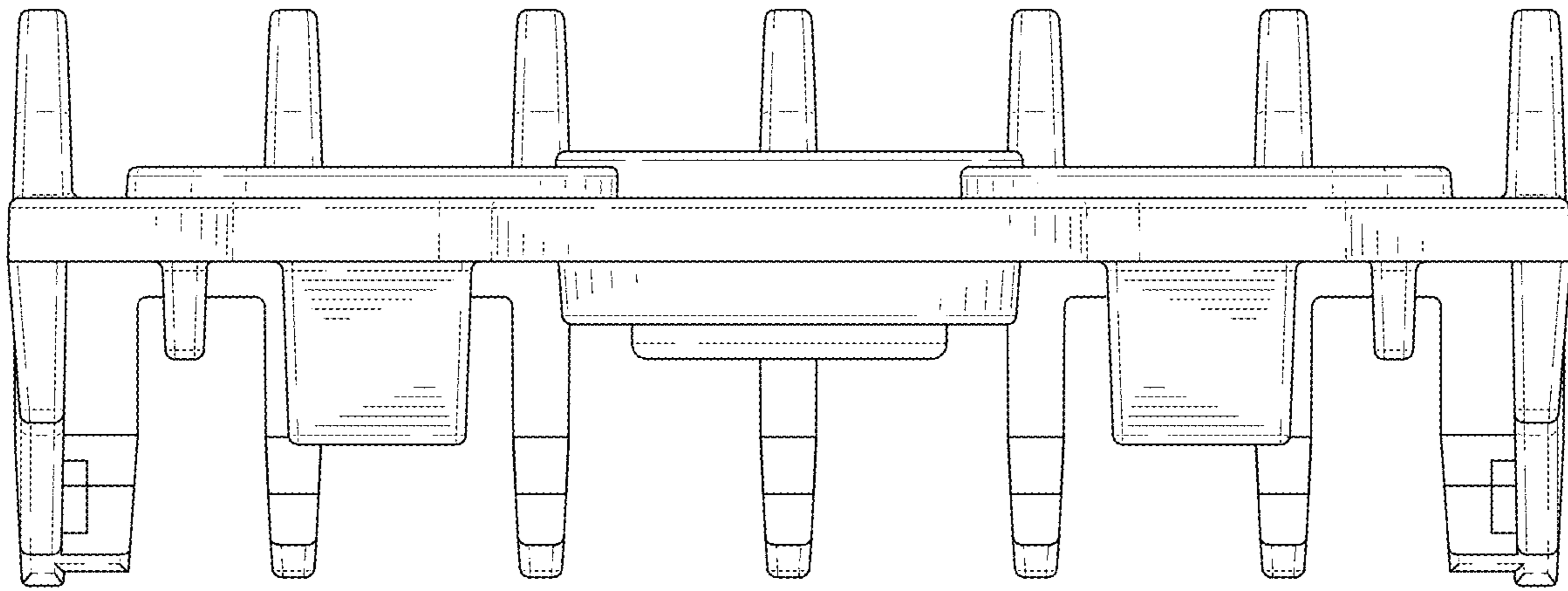


FIG. 8

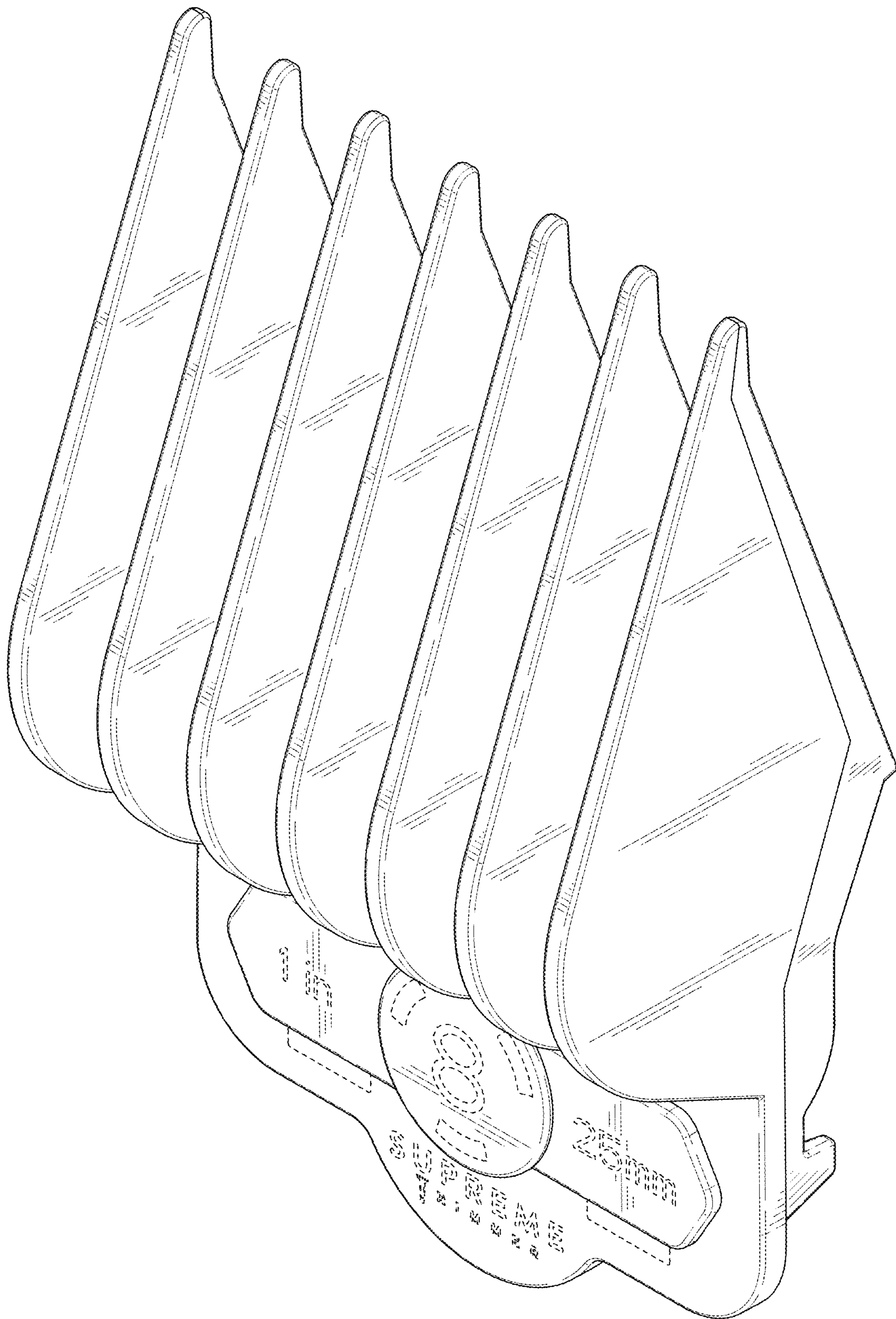


FIG. 9

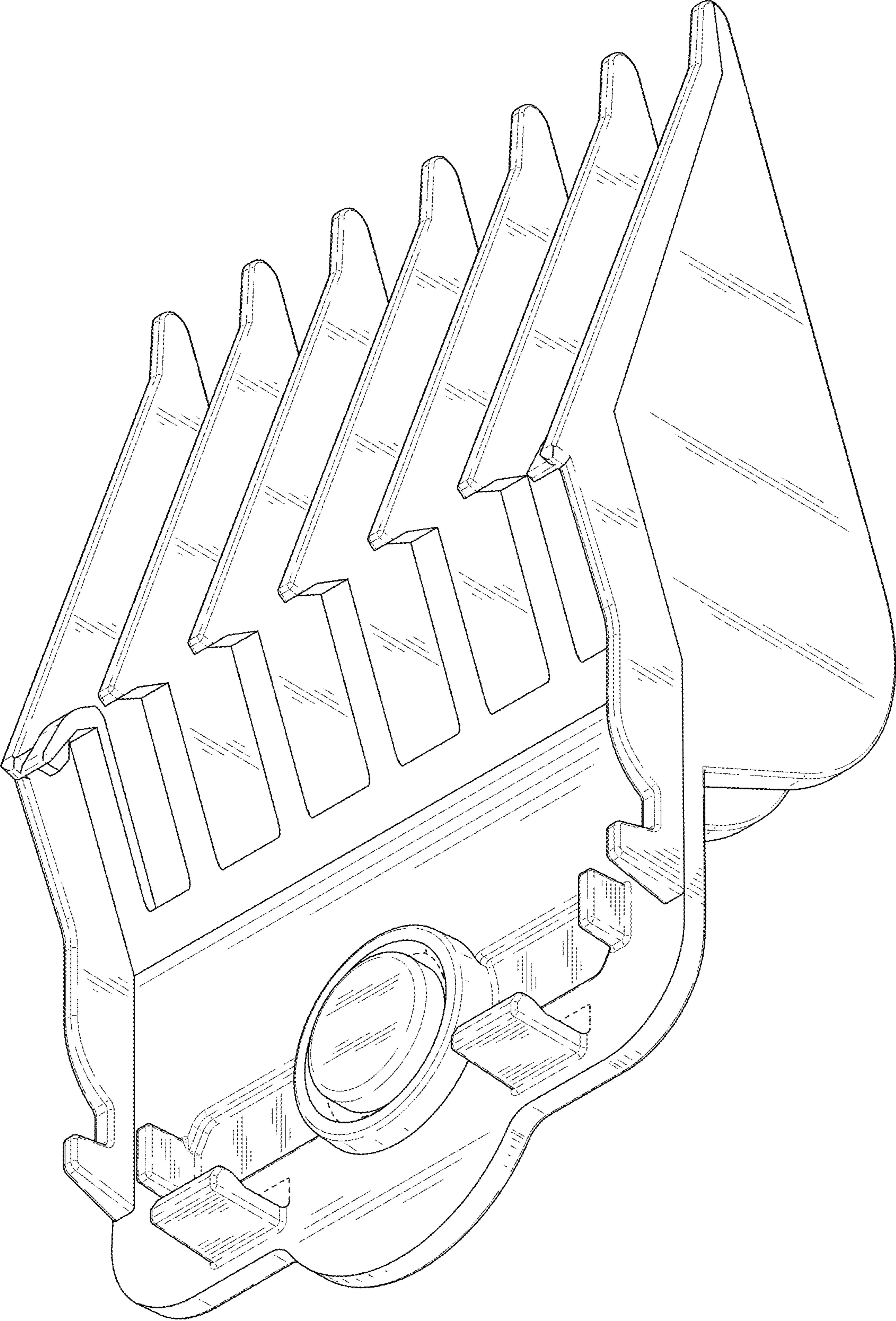


FIG. 10

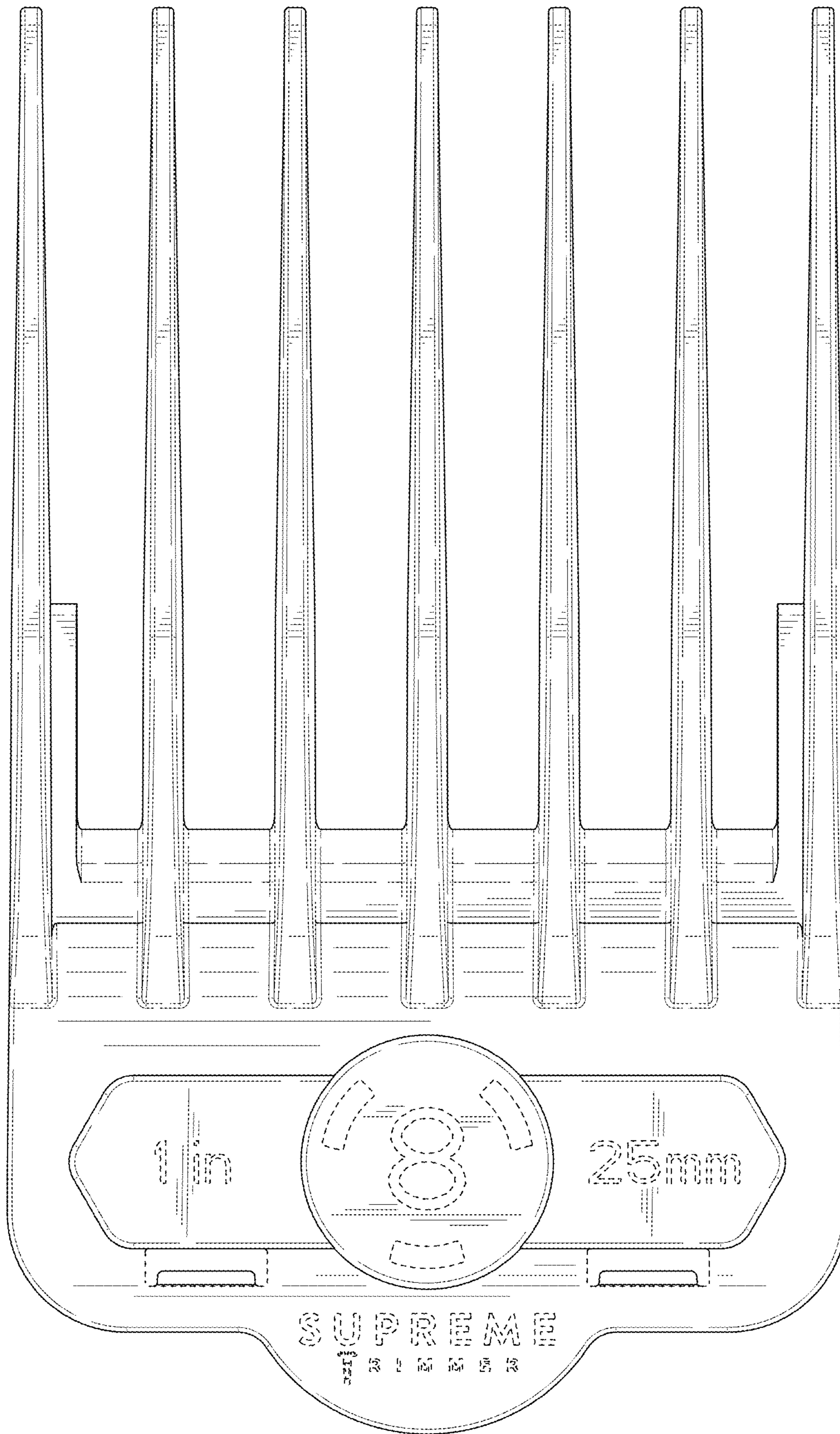


FIG. 11

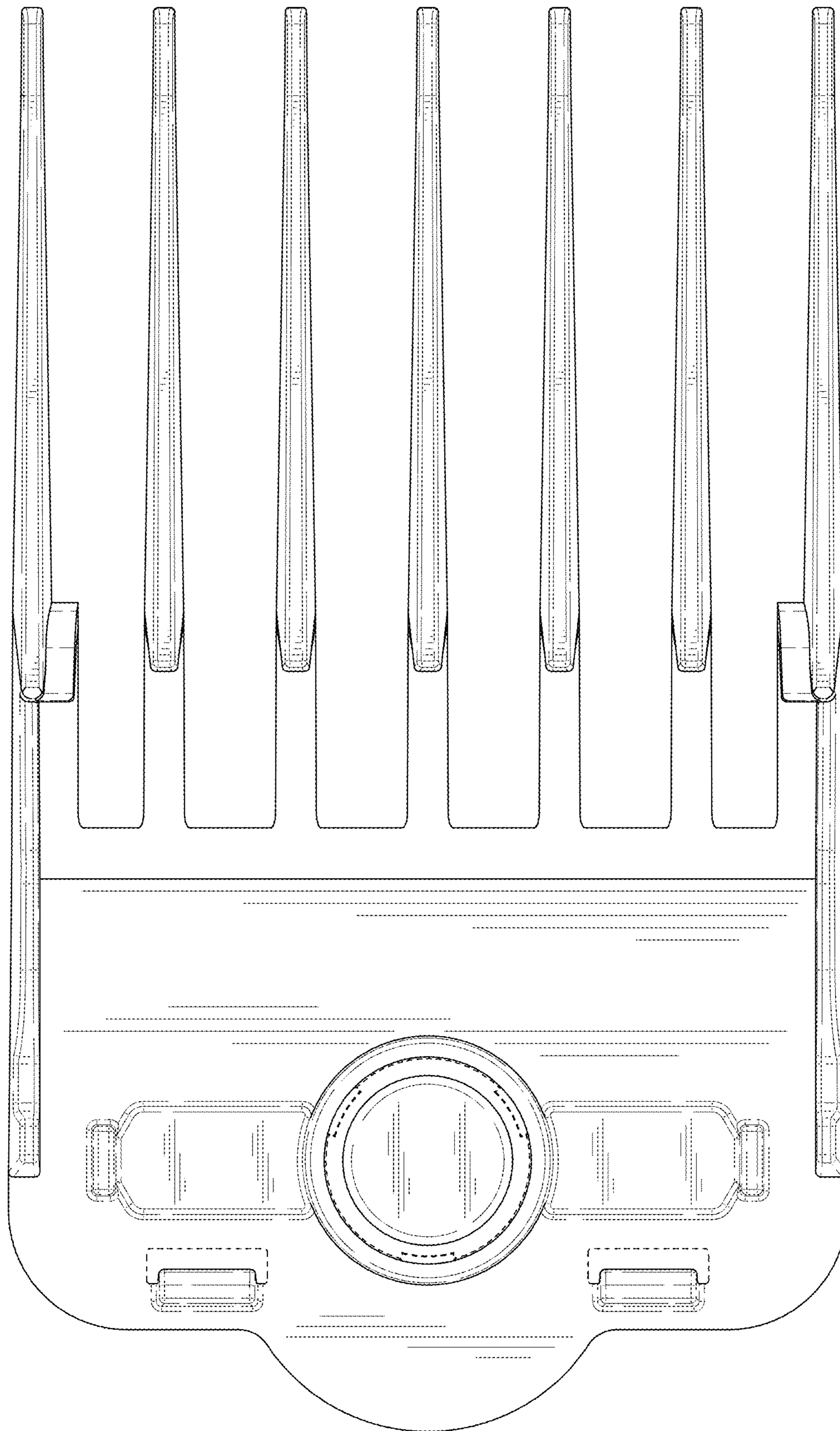


FIG. 12

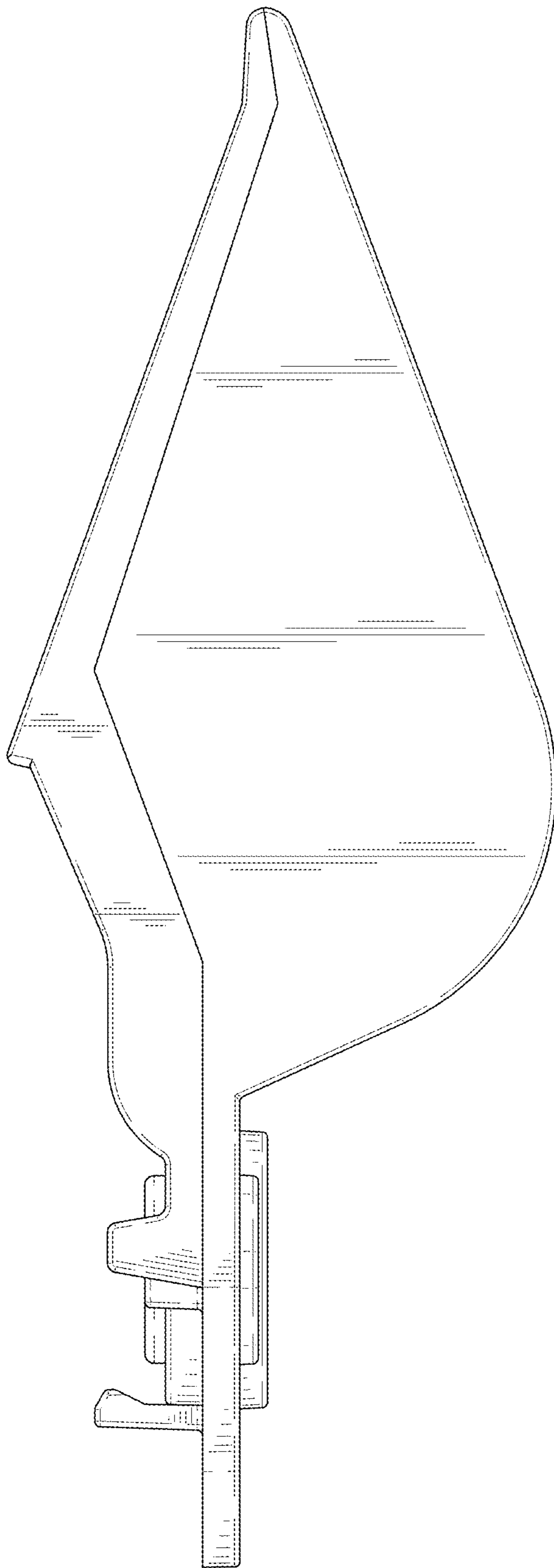


FIG. 13

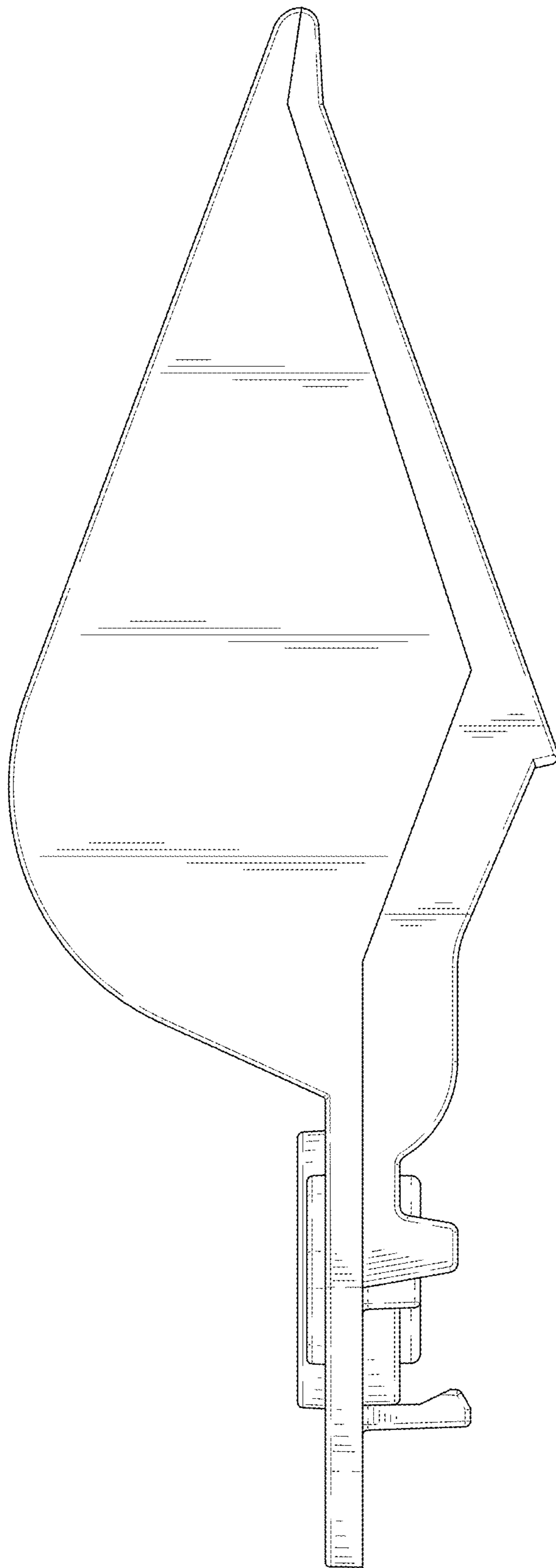


FIG. 14

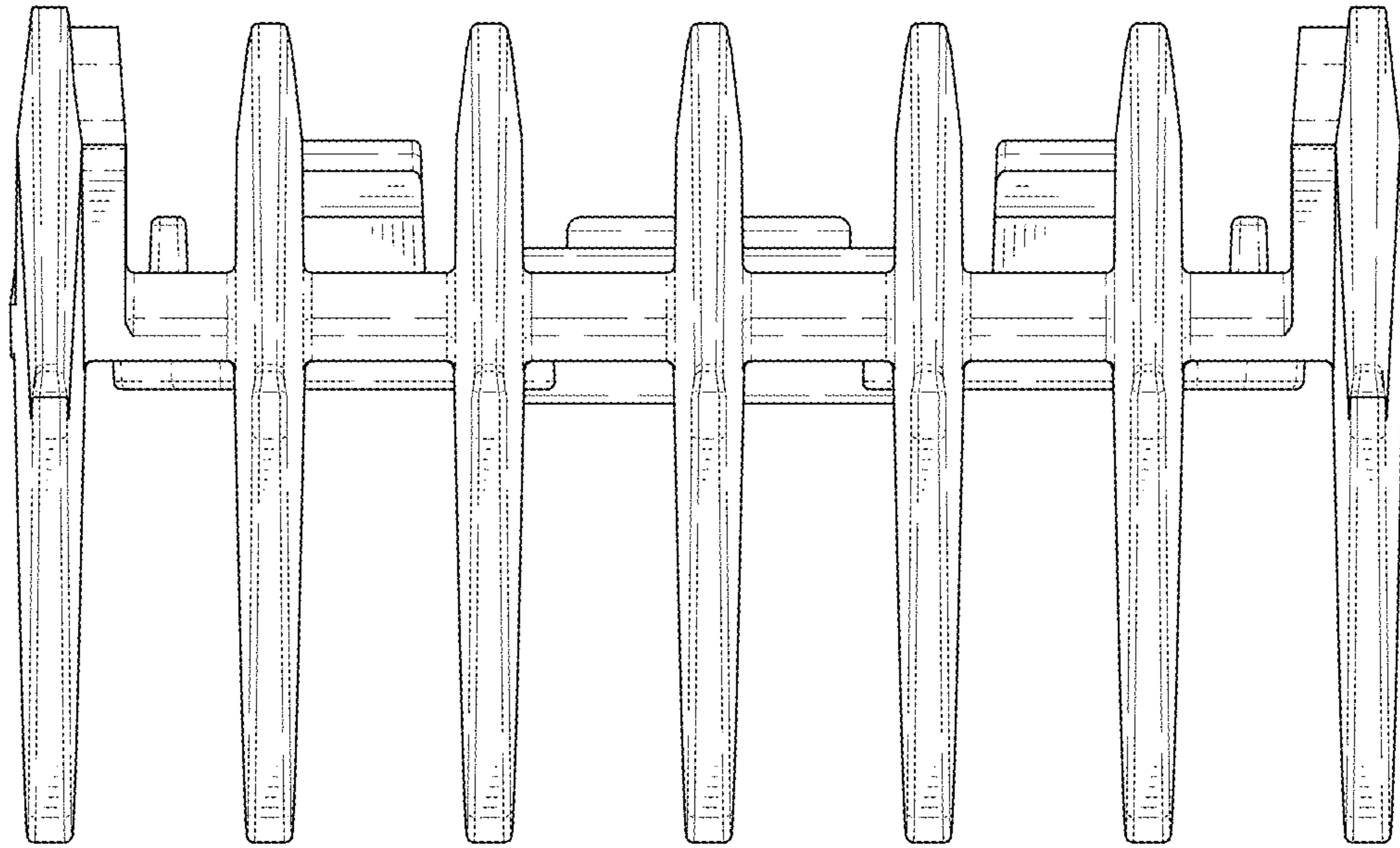


FIG. 15

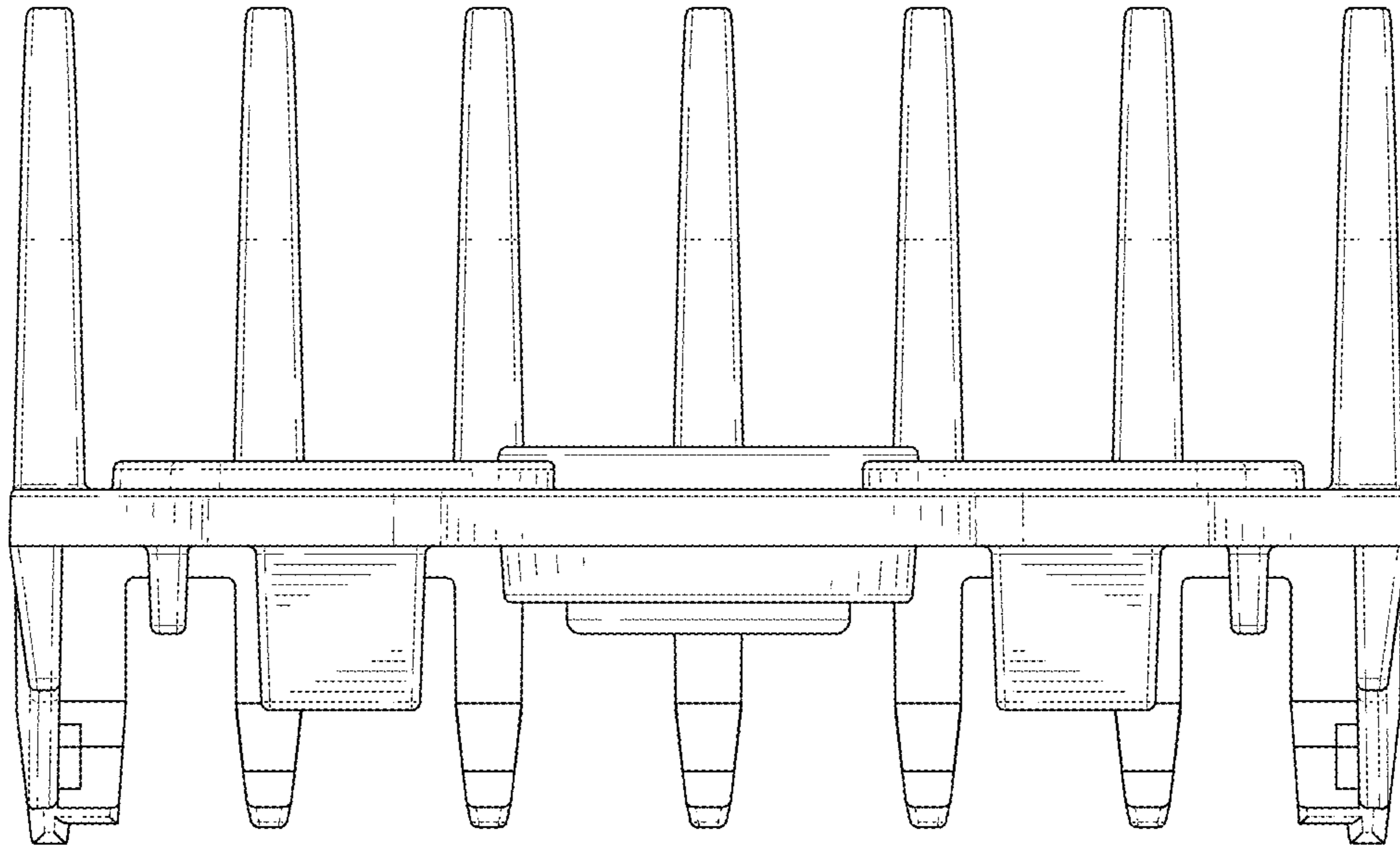


FIG. 16