



US00D980528S

(12) **United States Design Patent** (10) **Patent No.:** **US D980,528 S**
Van Roosmalen et al. (45) **Date of Patent:** **** Mar. 7, 2023**

(54) **SHAVER**

Primary Examiner — Jennifer Rivard

(71) Applicant: **KONINKLIJKE PHILIPS N.V.**,
Eindhoven (NL)

(57) **CLAIM**

The ornamental design for a shaver, as shown and described.

(72) Inventors: **Jos Van Roosmalen**, Amsterdam (NL);
Frank Verbrugge, Rosmalen (NL);
Jens Andersson, Amsterdam (NL);
Roel Krooshof, Bilthoven (NL); **Simon Van Anken**, Amsterdam (NL); **Peter Gal**, Amsterdam (NL); **Lieven Adriaenssen**, Vilvoorde (BE); **Roshan Hakkim**, Amsterdam (NL); **Mingshuo Zhang**, Amstelveen (NL)

DESCRIPTION

(73) Assignee: **KONINKLIJKE PHILIPS N.V.**,
Eindhoven (NL)

FIG. 1 is a perspective view showing the first embodiment of a shaver;
 FIG. 2 is a front elevational view thereof;
 FIG. 3 is a rear elevational view thereof;
 FIG. 4 is a right side elevational view thereof;
 FIG. 5 is a left side elevational view thereof;
 FIG. 6 is a top plan view thereof;
 FIG. 7 is a bottom plan view thereof;
 FIG. 8 is a perspective view showing the second embodiment of a shaver;
 FIG. 9 is a front elevational view thereof;
 FIG. 10 is a rear elevational view thereof;
 FIG. 11 is a right side elevational view thereof;
 FIG. 12 is a left side elevational view thereof;
 FIG. 13 is a top plan view thereof;
 FIG. 14 is a bottom plan view thereof;
 FIG. 15 is a perspective view showing the third embodiment of a shaver;
 FIG. 16 is a front elevational view thereof;
 FIG. 17 is a rear elevational view thereof;
 FIG. 18 is a right side elevational view thereof;
 FIG. 19 is a left side elevational view thereof;
 FIG. 20 is a top plan view thereof;
 FIG. 21 is a bottom plan view thereof;
 FIG. 22 is a perspective view showing the fourth embodiment of a shaver;
 FIG. 23 is a front elevational view thereof;
 FIG. 24 is a rear elevational view thereof;
 FIG. 25 is a right side elevational view thereof;
 FIG. 26 is a left side elevational view thereof;
 FIG. 27 is a top plan view thereof;
 FIG. 28 is a bottom plan view thereof;
 FIG. 29 is a perspective view showing the fifth embodiment of a shaver;
 FIG. 30 is a front elevational view thereof;
 FIG. 31 is a rear elevational view thereof;
 FIG. 32 is a right side elevational view thereof;

(**) Term: **15 Years**

(21) Appl. No.: **29/811,888**

(22) Filed: **Oct. 18, 2021**

Related U.S. Application Data

(62) Division of application No. 29/723,224, filed on Feb. 5, 2020, now Pat. No. Des. 933,894.

(30) **Foreign Application Priority Data**

Aug. 26, 2019 (EM) 006768636

(51) **LOC (14) Cl.** **28-03**

(52) **U.S. Cl.**
USPC **D28/50**

(58) **Field of Classification Search**
USPC D28/49–54

(Continued)

(56) **References Cited**

U.S. PATENT DOCUMENTS

D758,017 S * 5/2016 Smith D28/50
D889,042 S * 6/2020 Andersson D28/50

(Continued)

(Continued)

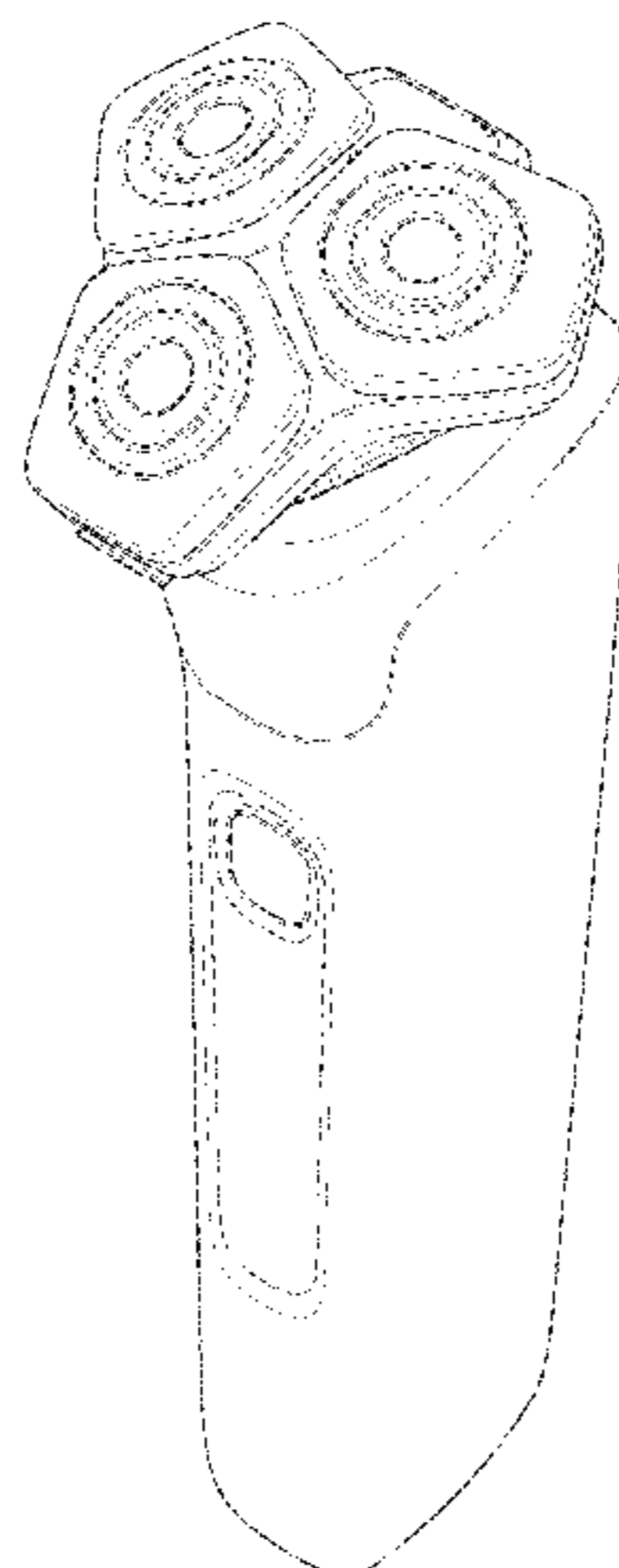


FIG. 33 is a left side elevational view thereof;
 FIG. 34 is a top plan view thereof;
 FIG. 35 is a bottom plan view thereof;
 FIG. 36 is a perspective view showing the sixth embodiment of a shaver;
 FIG. 37 is a front elevational view thereof;
 FIG. 38 is a rear elevational view thereof;
 FIG. 39 is a right side elevational view thereof;
 FIG. 40 is a left side elevational view thereof;
 FIG. 41 is a top plan view thereof; and,
 FIG. 42 is a bottom plan view thereof.

1 Claim, 36 Drawing Sheets

(58) **Field of Classification Search**
 CPC B26B 19/14–18; B26B 19/38; B26B
 19/3853–3893; B26B 19/3806–384
 See application file for complete search history.

(56) **References Cited**

U.S. PATENT DOCUMENTS

D897,602 S * 9/2020 Zhang D28/53
 D912,902 S * 3/2021 Andersson D28/50

D930,243 S * 9/2021 Prat-Pfister D28/50
 D930,902 S * 9/2021 Liu D28/50
 D932,697 S * 10/2021 Van Roosmalen D28/50
 D932,698 S * 10/2021 Van Roosmalen D28/50
 D932,699 S * 10/2021 Van Roosmalen D28/50
 D932,700 S * 10/2021 Van Roosmalen D28/50
 D933,298 S * 10/2021 Parambathkandi
 Abdulhakkim D28/50
 D933,894 S * 10/2021 Van Roosmalen D28/50
 D934,502 S * 10/2021 Van Roosmalen D28/50
 D938,652 S * 12/2021 Long D28/50
 D940,395 S * 1/2022 Prat-Pfister D28/50
 D942,079 S * 1/2022 Prat-Pfister D28/50
 D942,080 S * 1/2022 Prat-Pfister D28/50
 D943,830 S * 2/2022 Parambathkandi
 Abdulhakkim D28/50
 D949,479 S * 4/2022 Van Roosmalen D28/50
 D953,641 S * 5/2022 Van Roosmalen D28/50
 D955,048 S * 6/2022 Van Roosmalen D28/50
 D955,642 S * 6/2022 Van Roosmalen D28/50
 D955,643 S * 6/2022 Van Roosmalen D28/50
 D962,541 S * 8/2022 Van Roosmalen D28/50
 D965,890 S * 10/2022 Prat-Pfister D28/50
 D965,891 S * 10/2022 Prat-Pfister D28/50

* cited by examiner

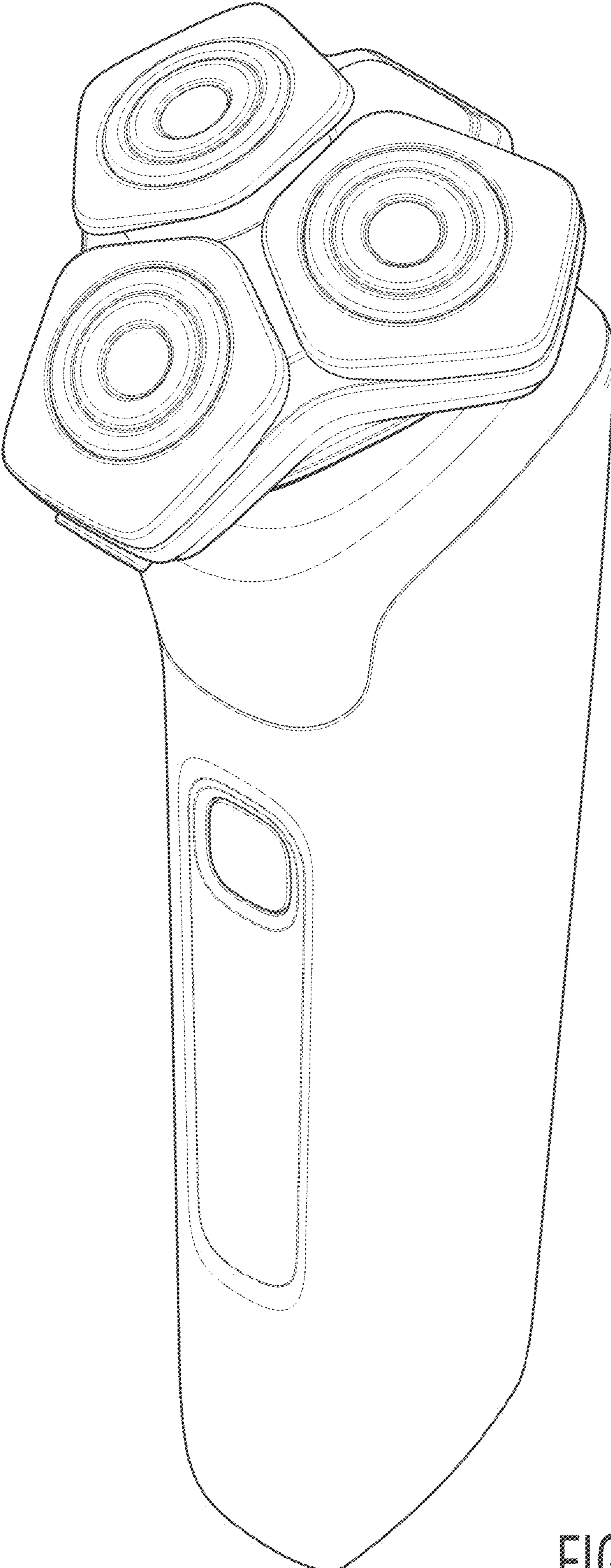


FIG. 1

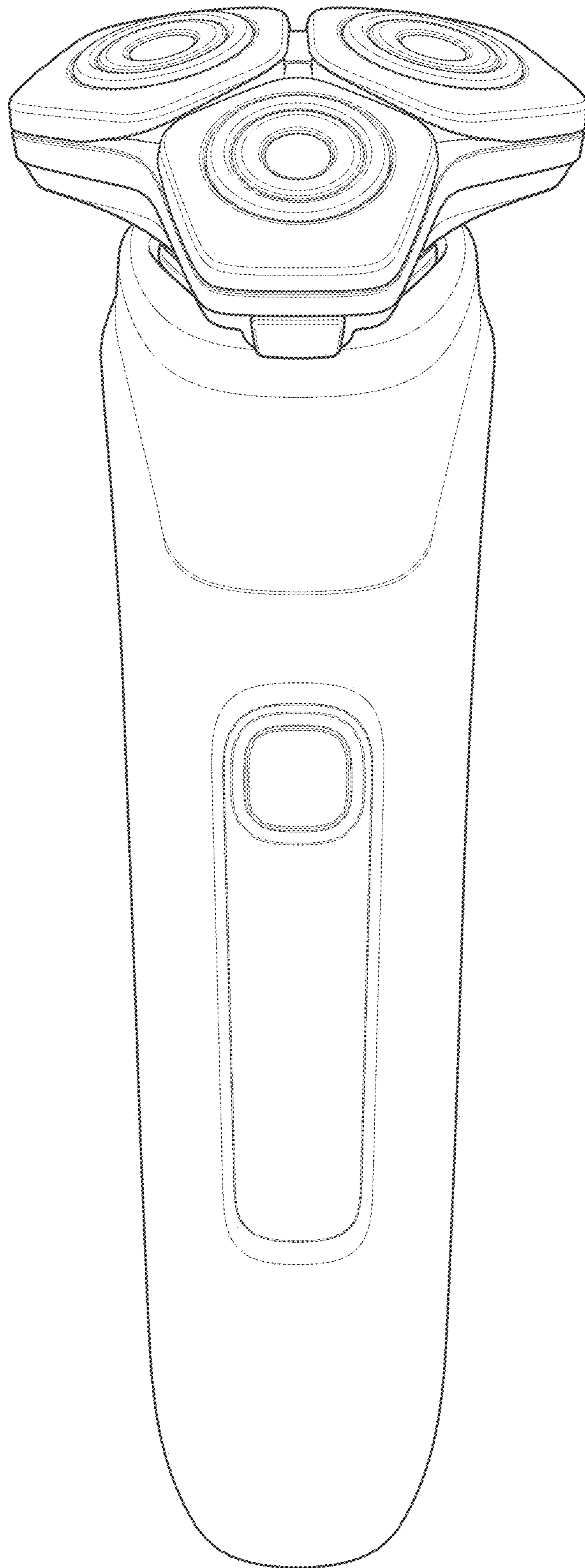


FIG. 2

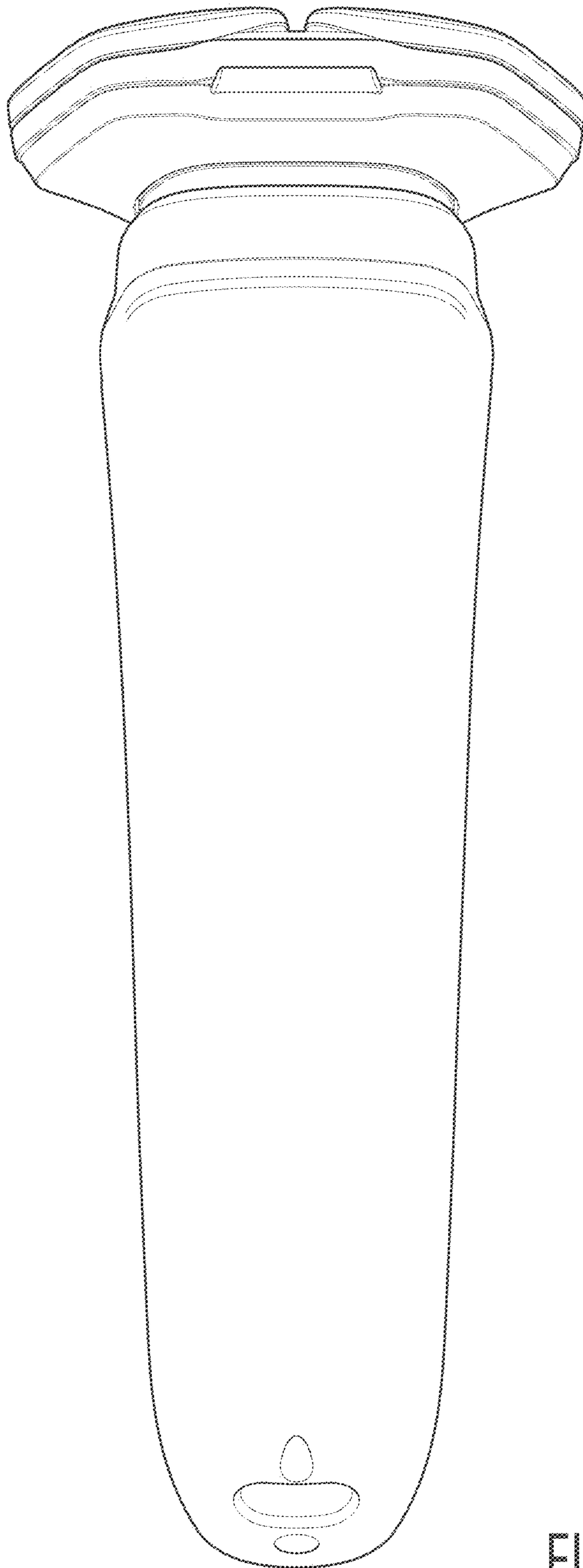


FIG. 3

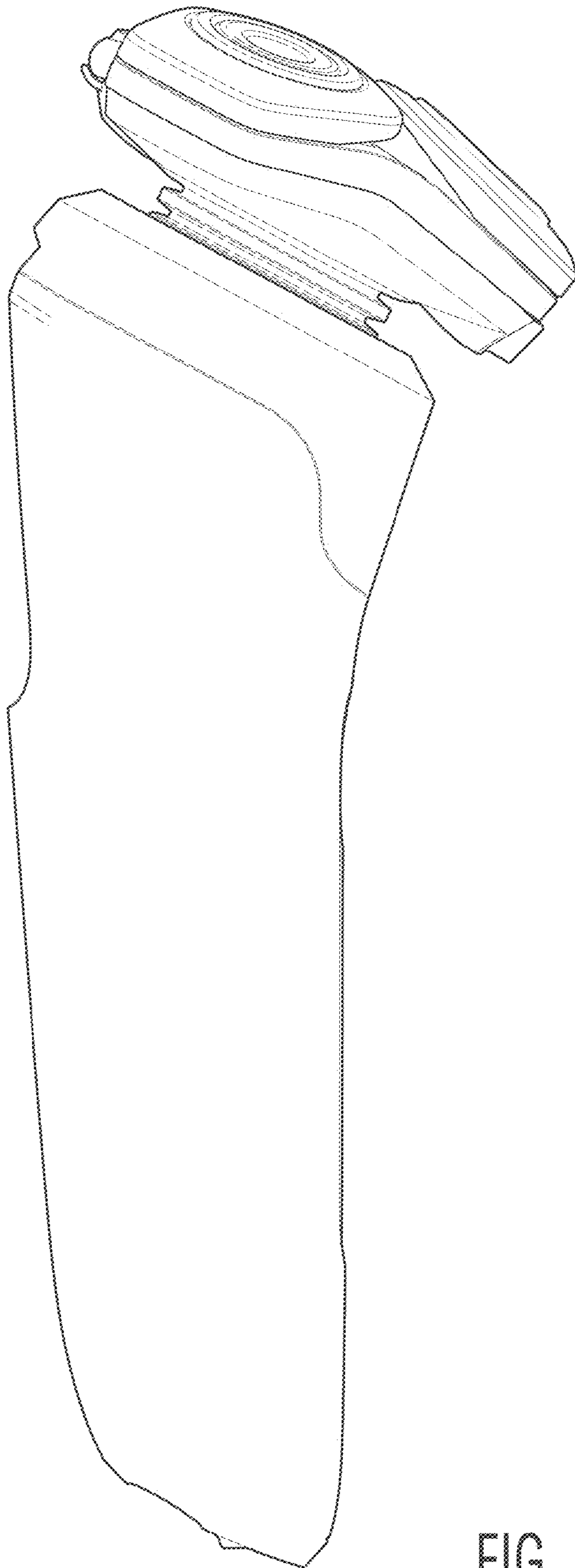


FIG. 4

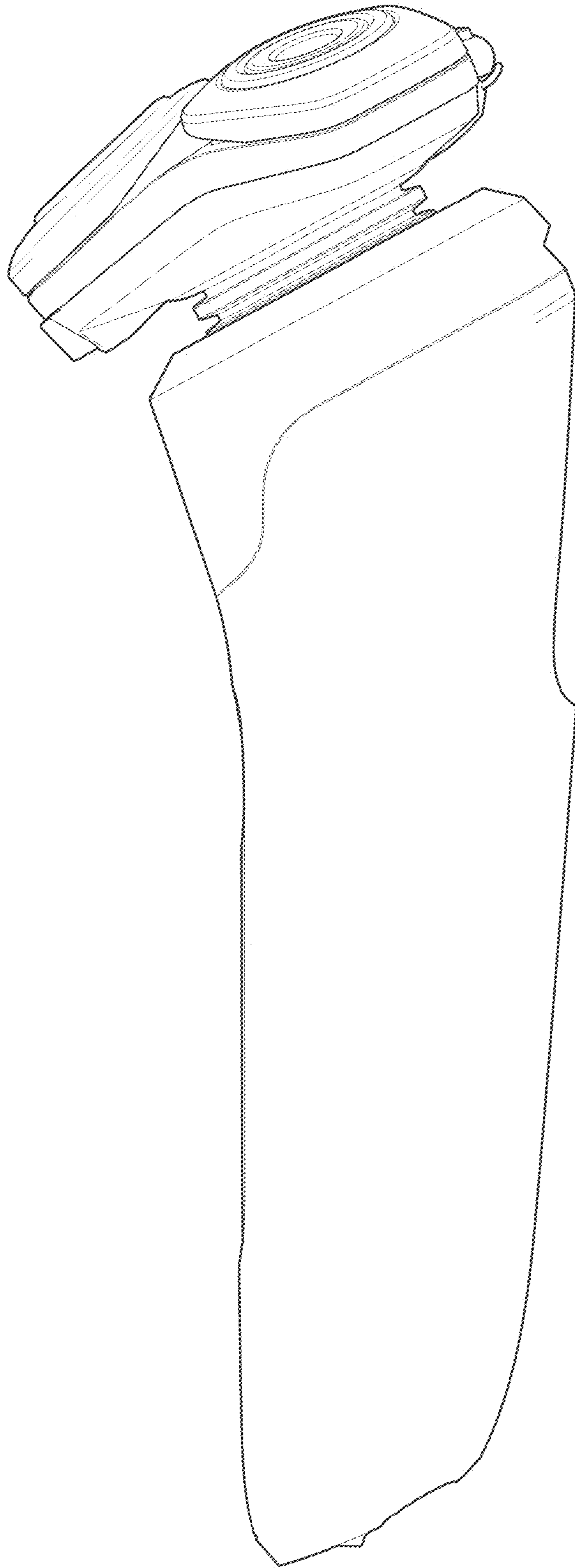


FIG. 5

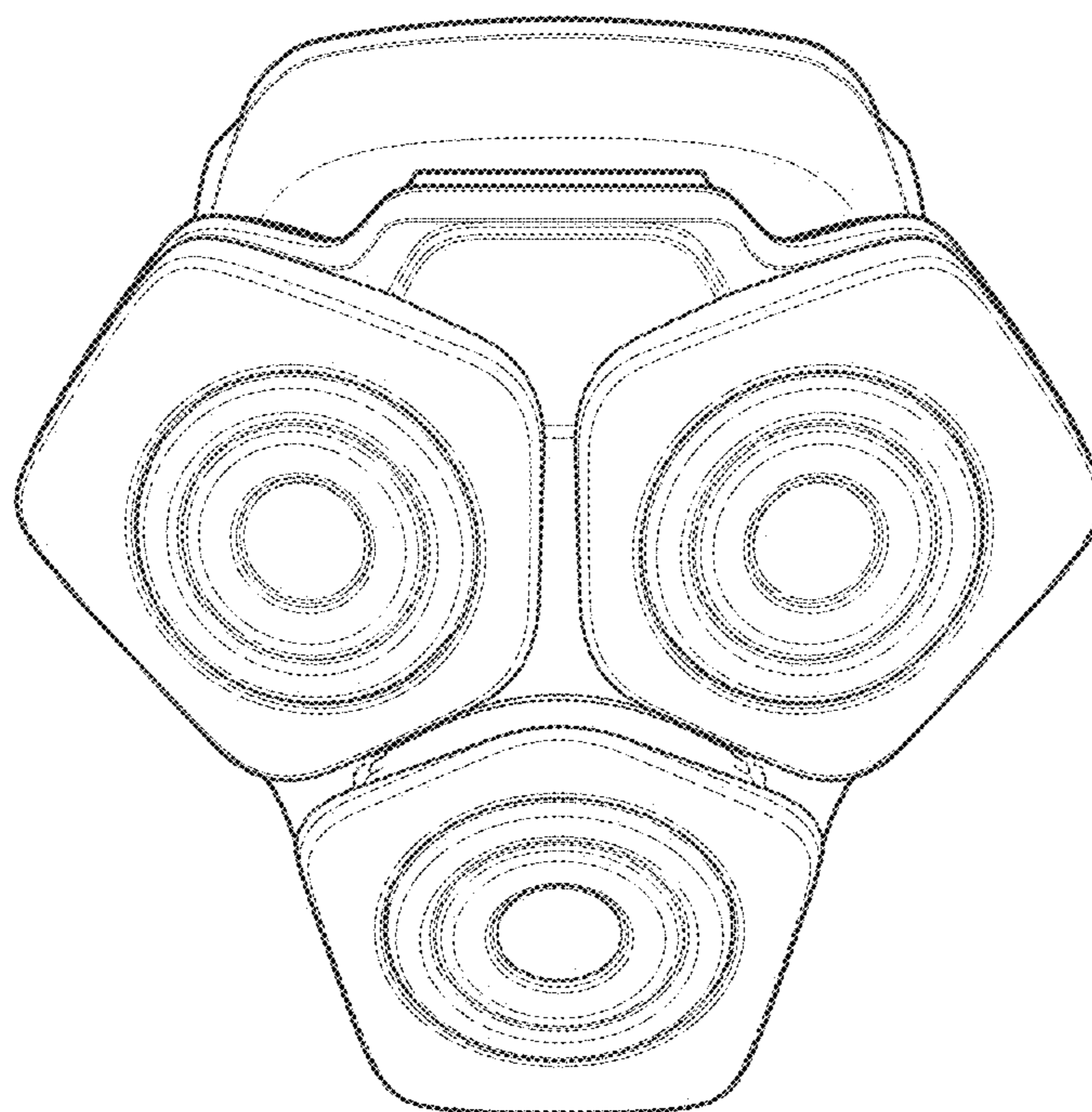


FIG. 6

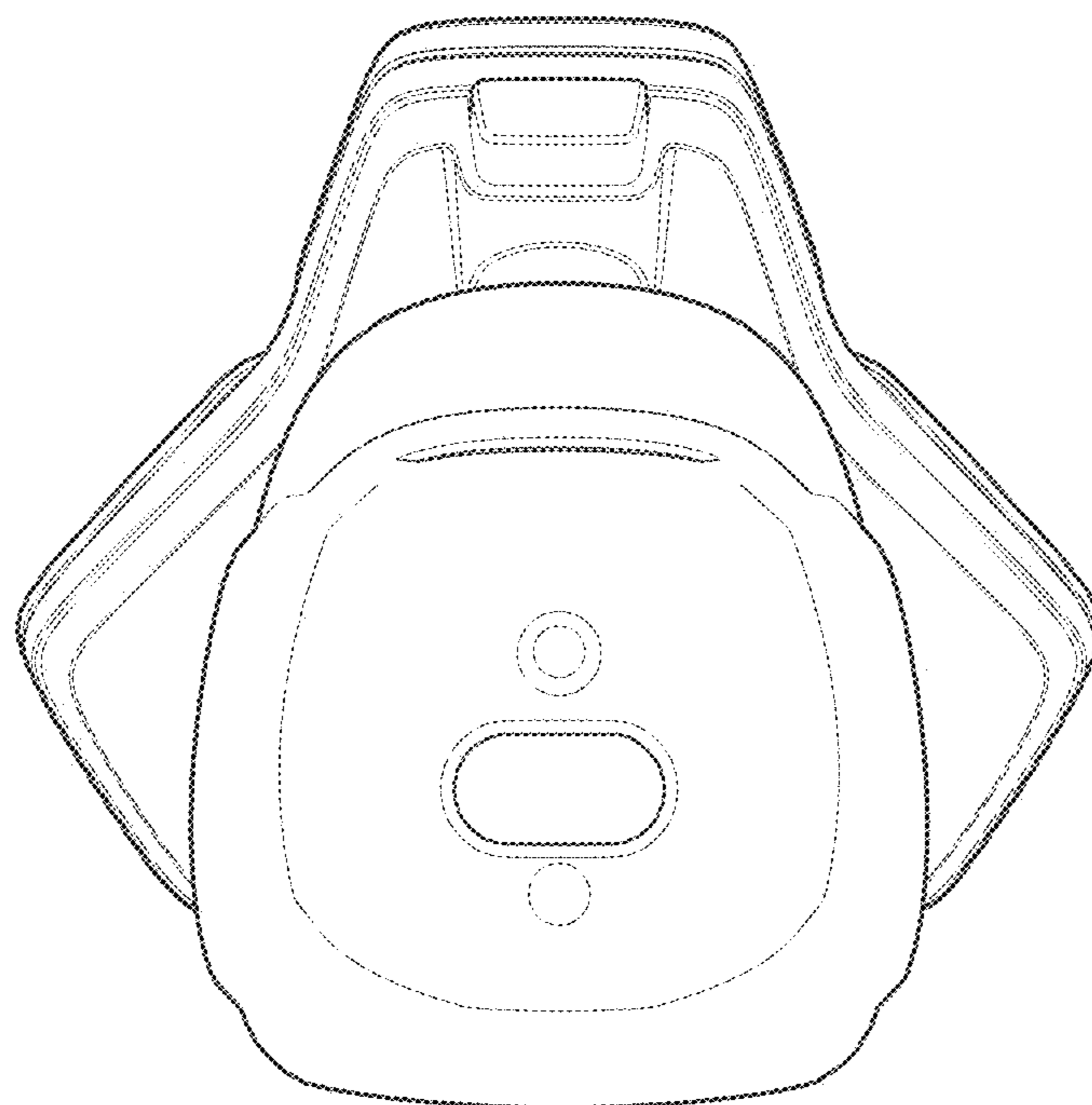


FIG. 7

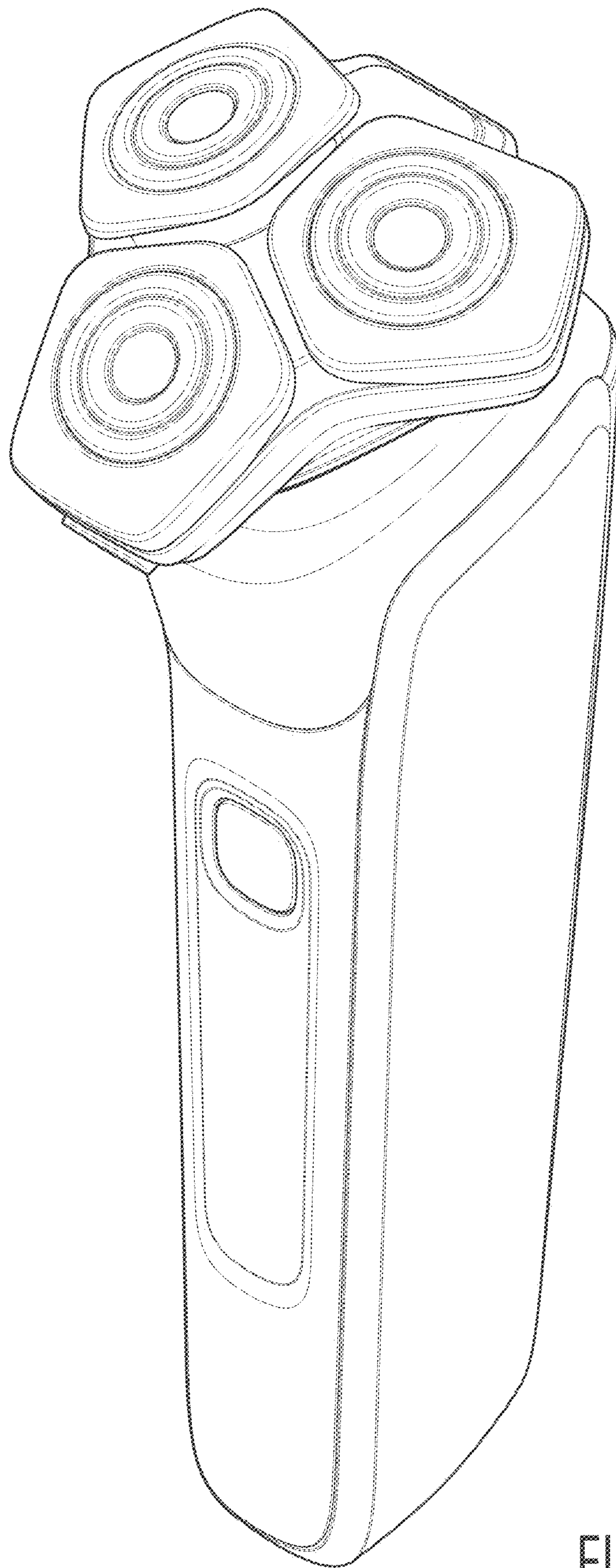


FIG. 8

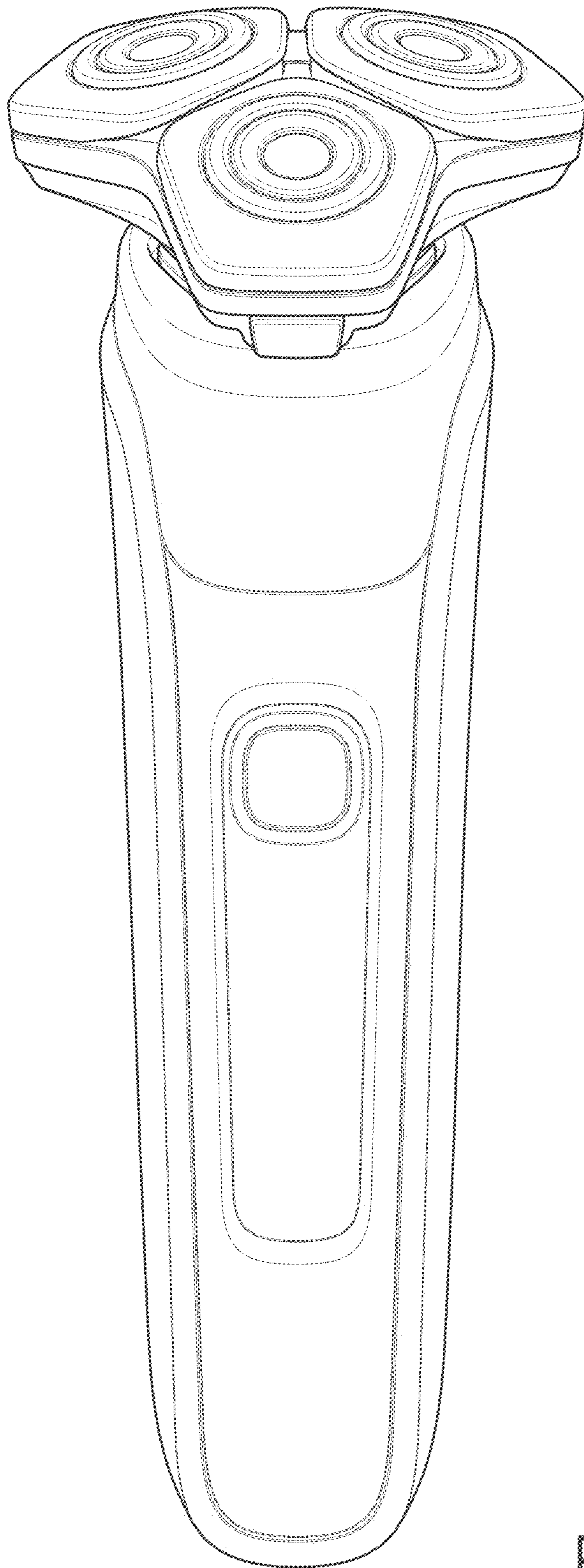


FIG. 9

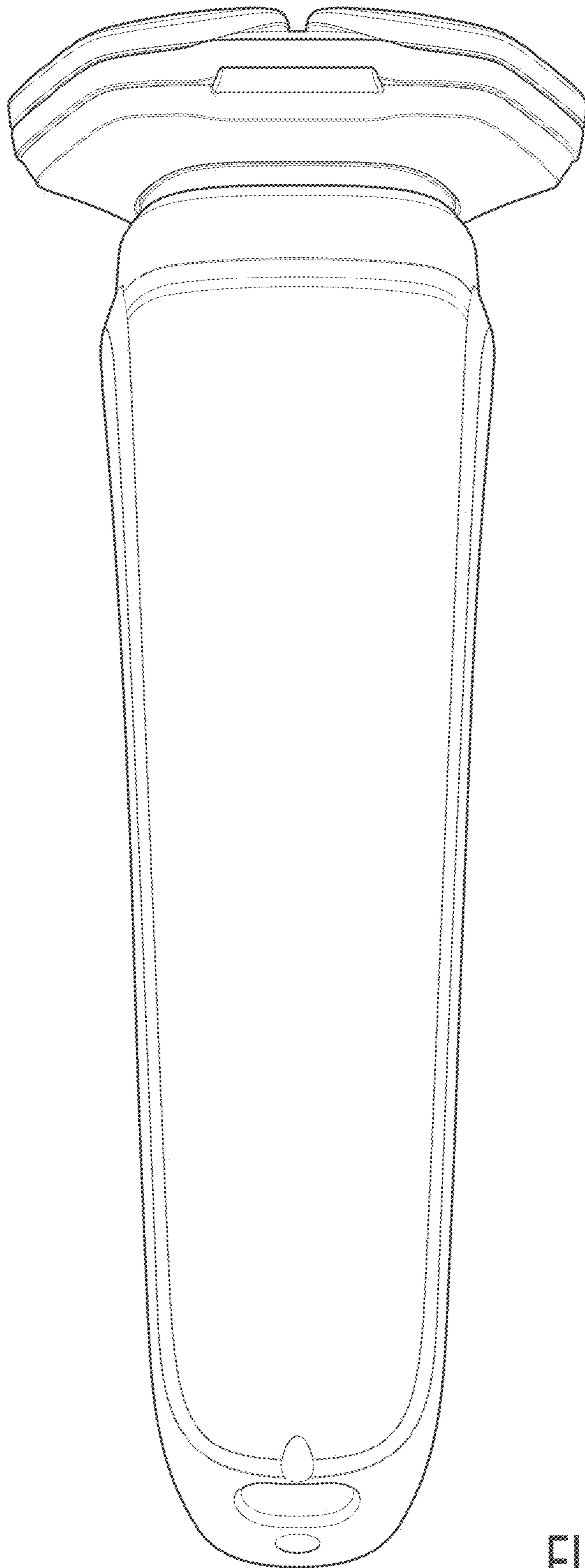


FIG. 10

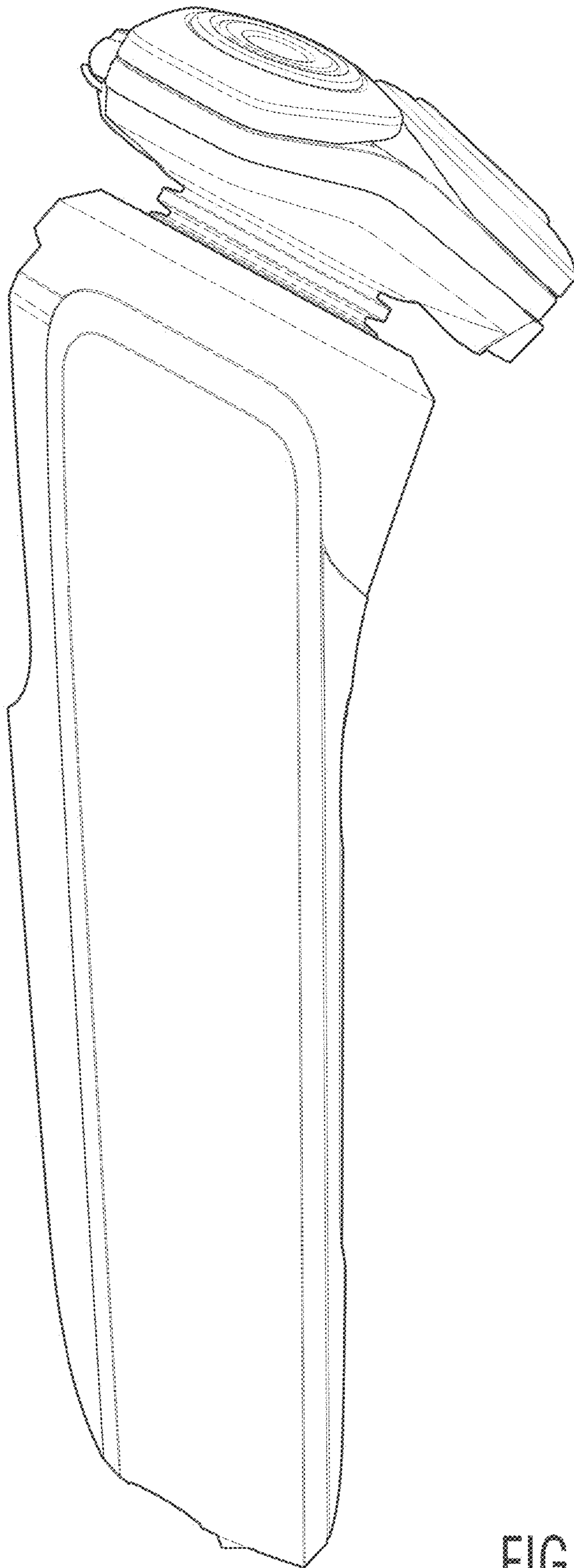


FIG. 11

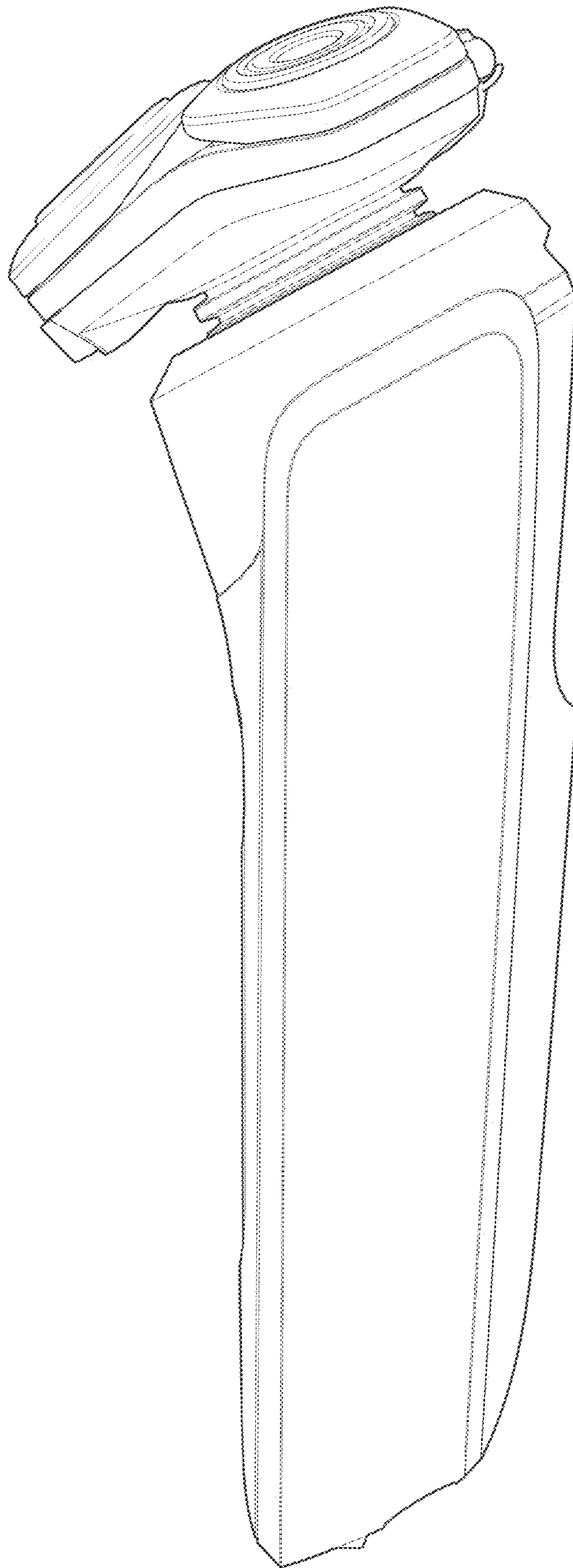


FIG. 12

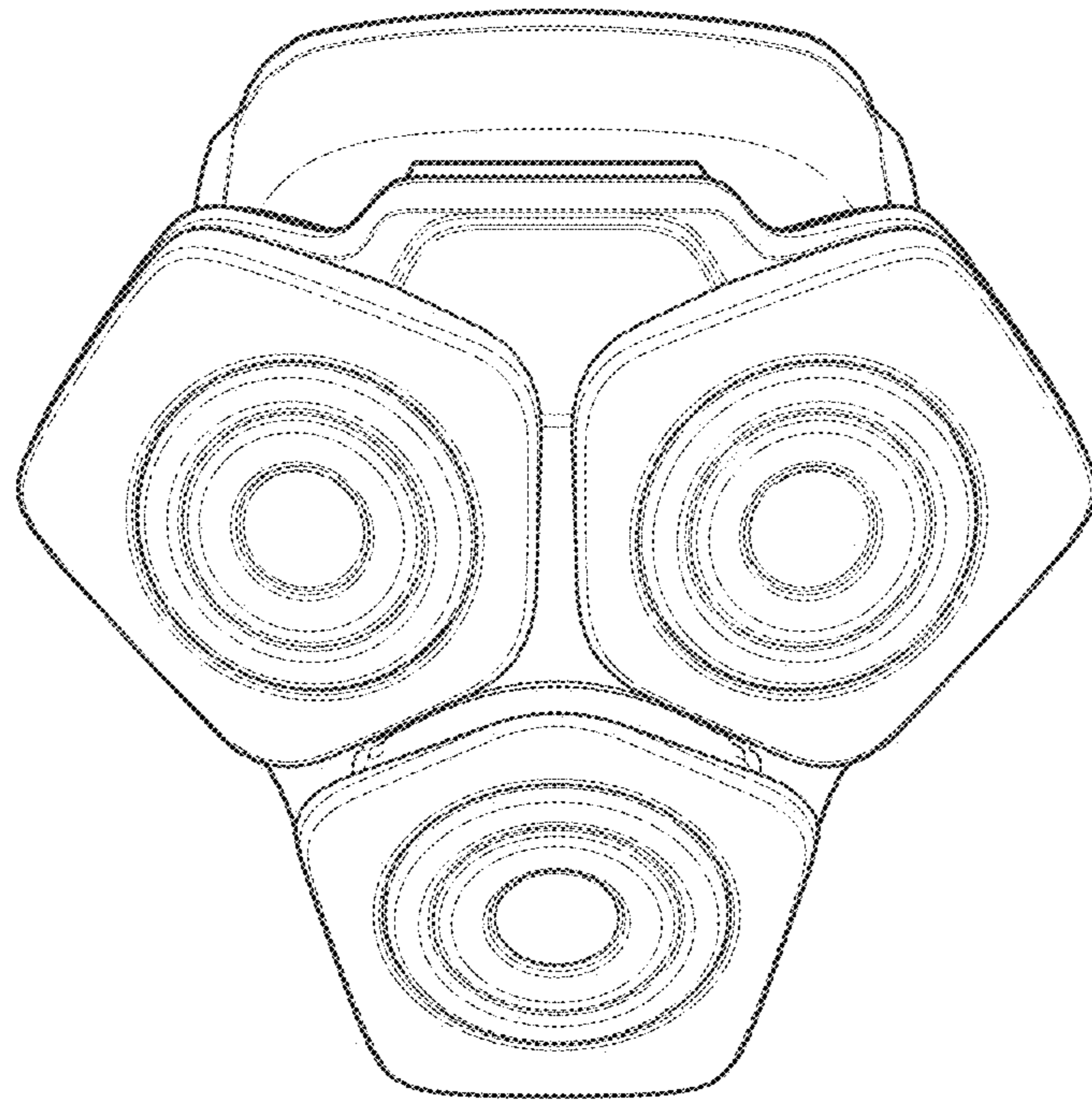


FIG. 13

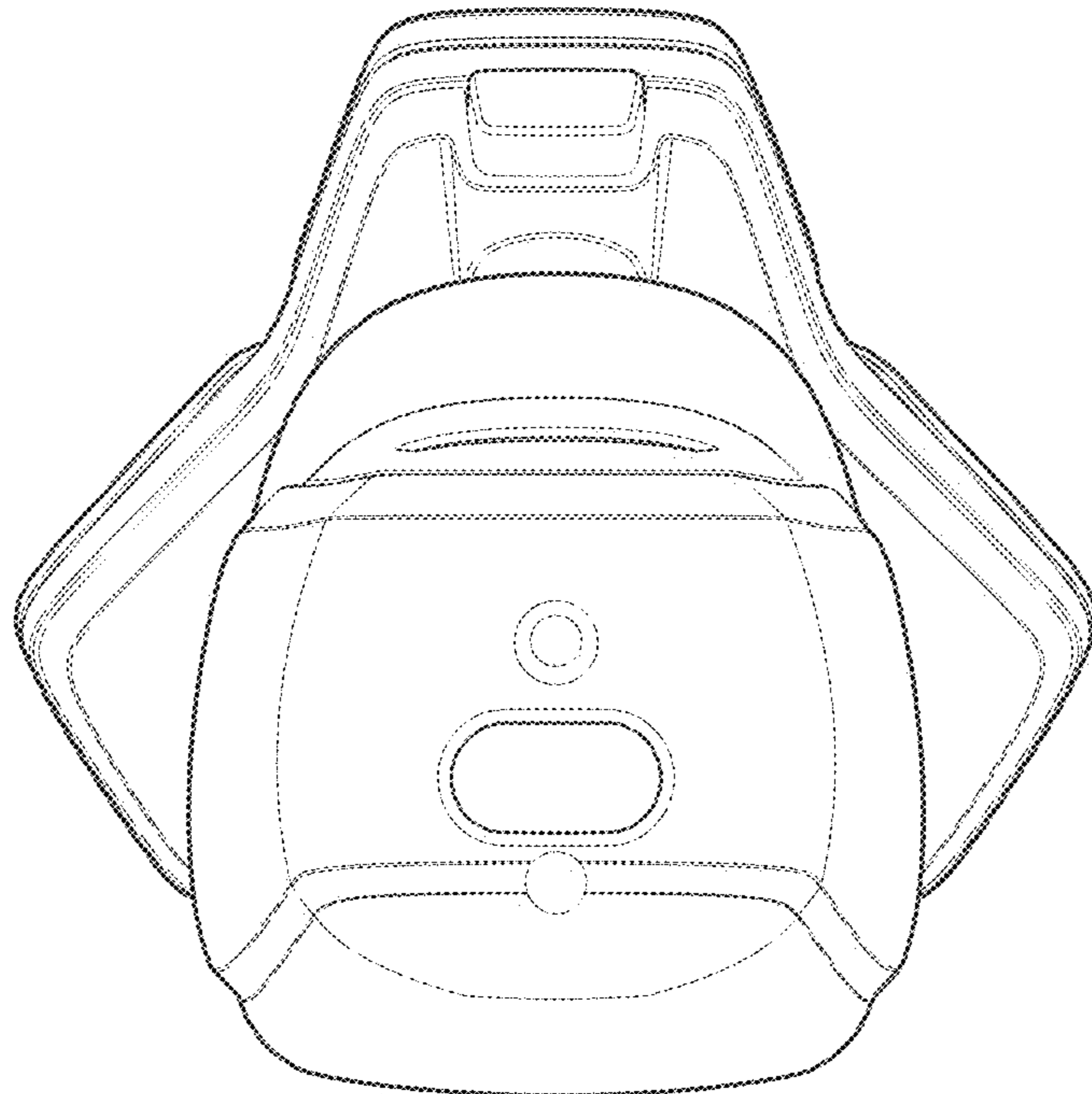


FIG. 14

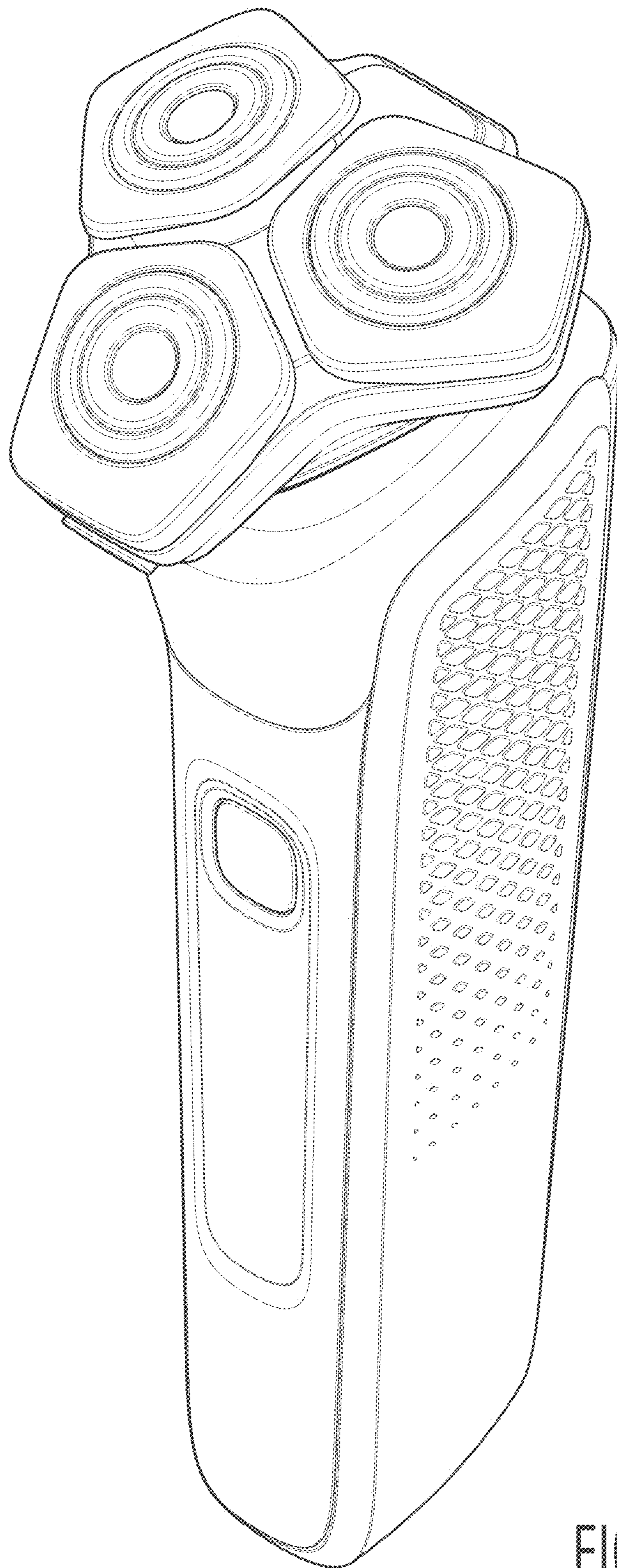


FIG. 15

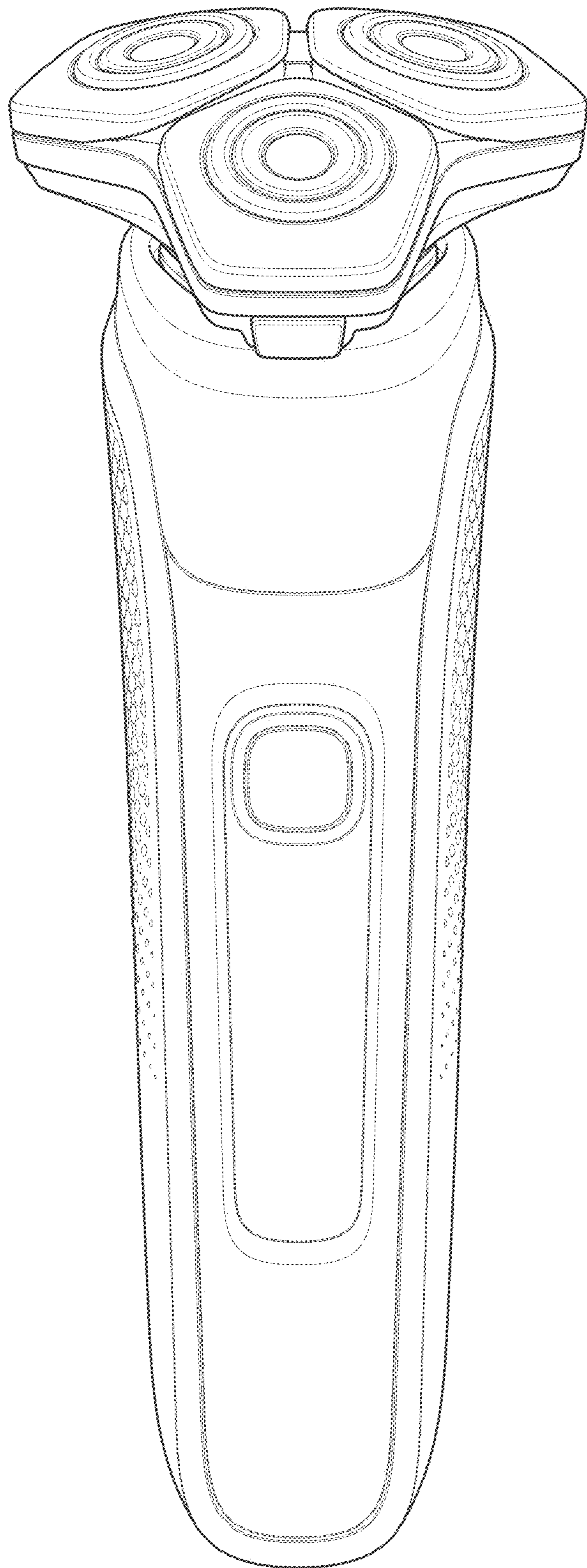


FIG. 16

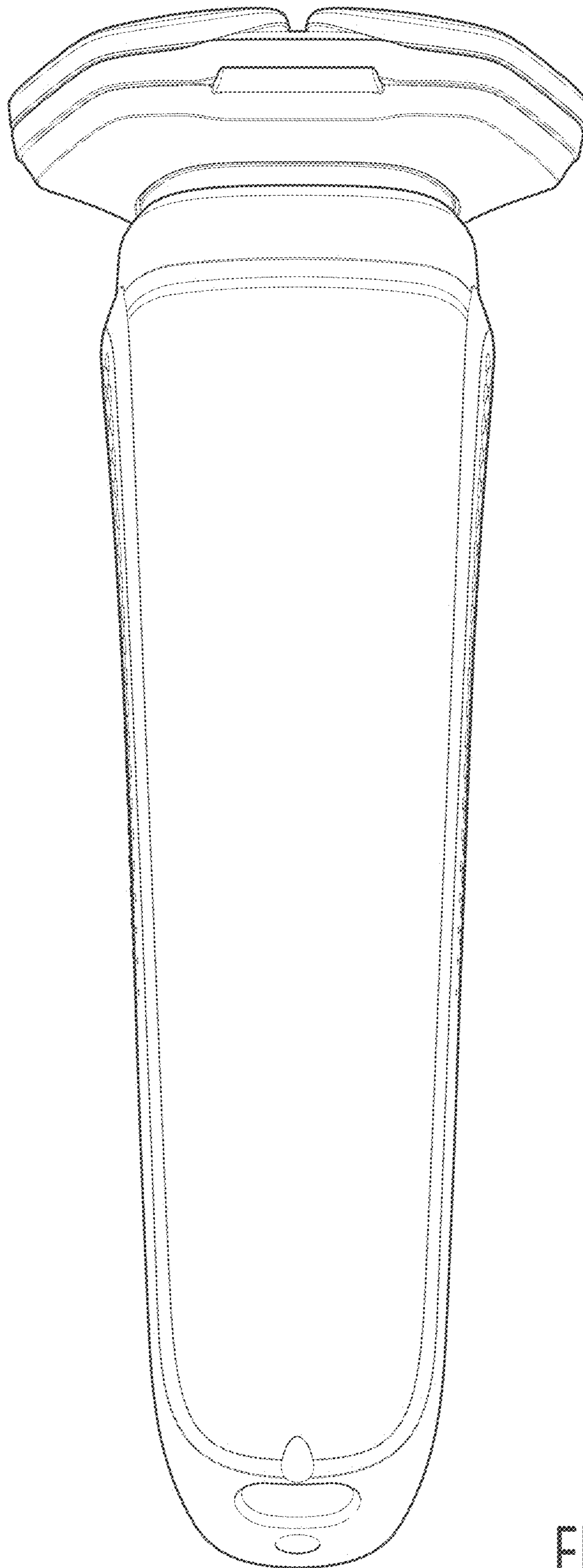


FIG. 17

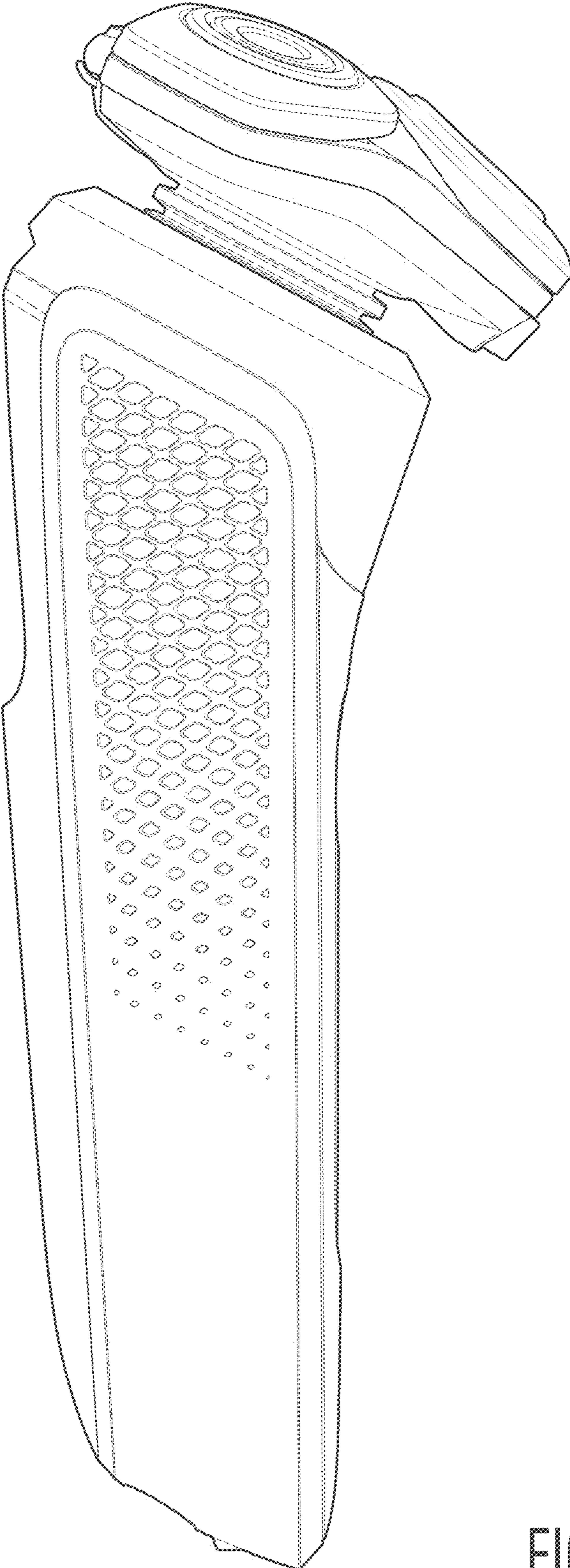


FIG. 18

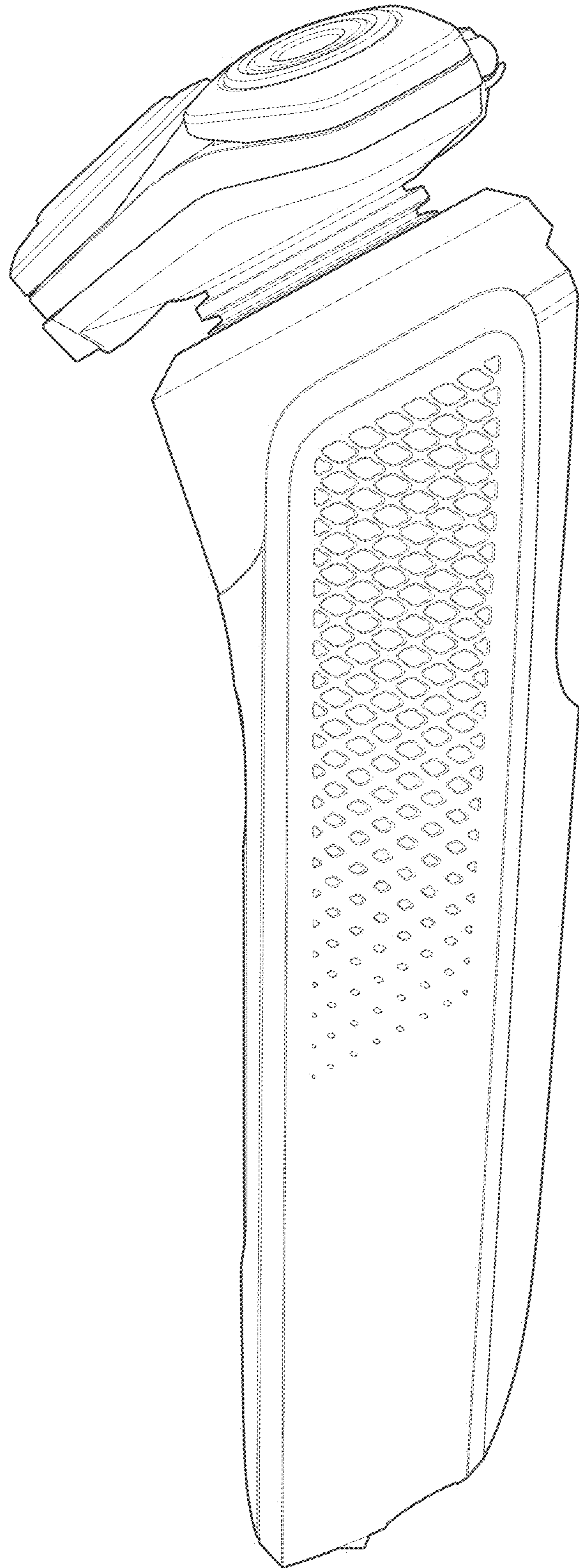


FIG. 19

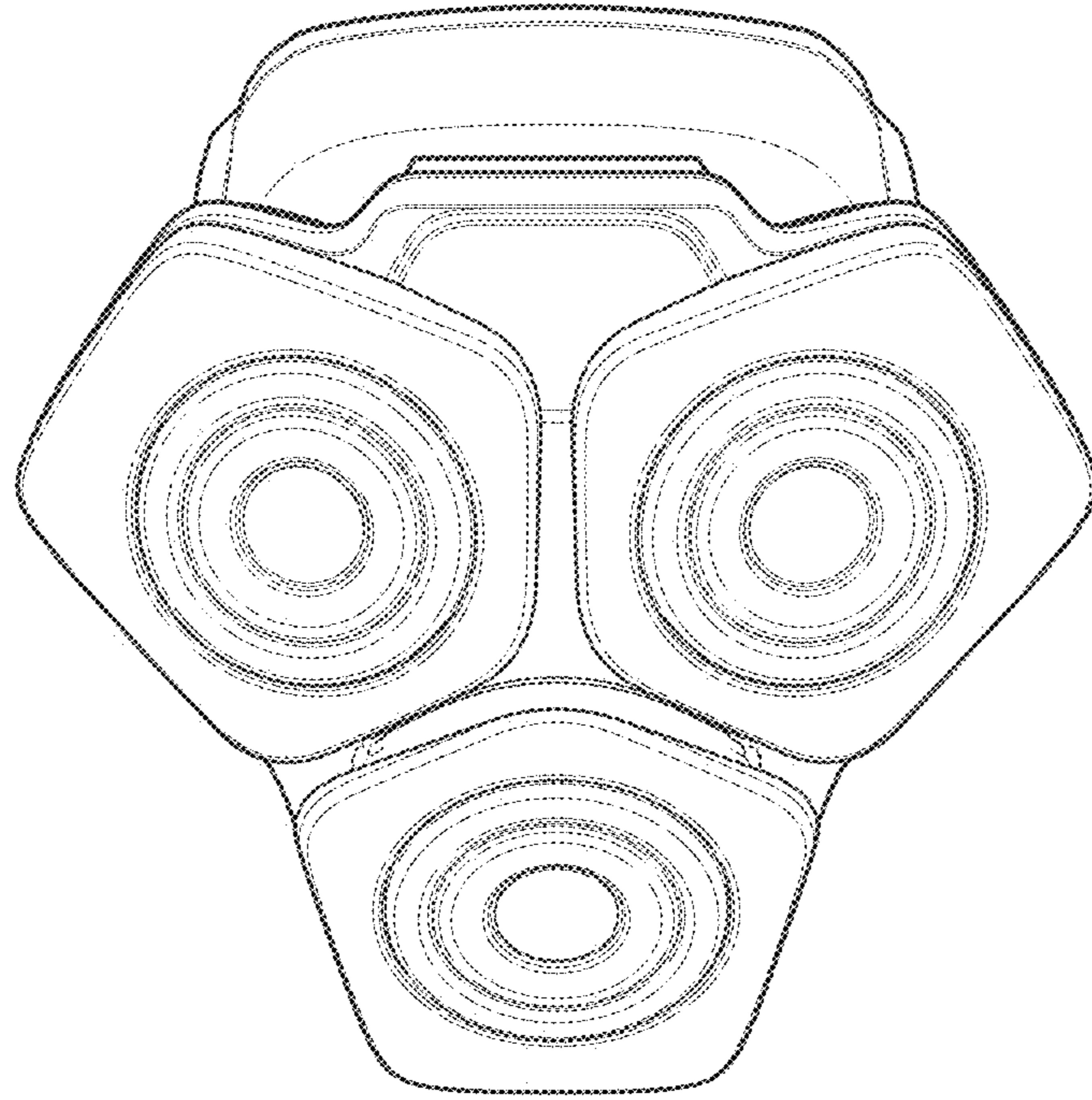


FIG. 20

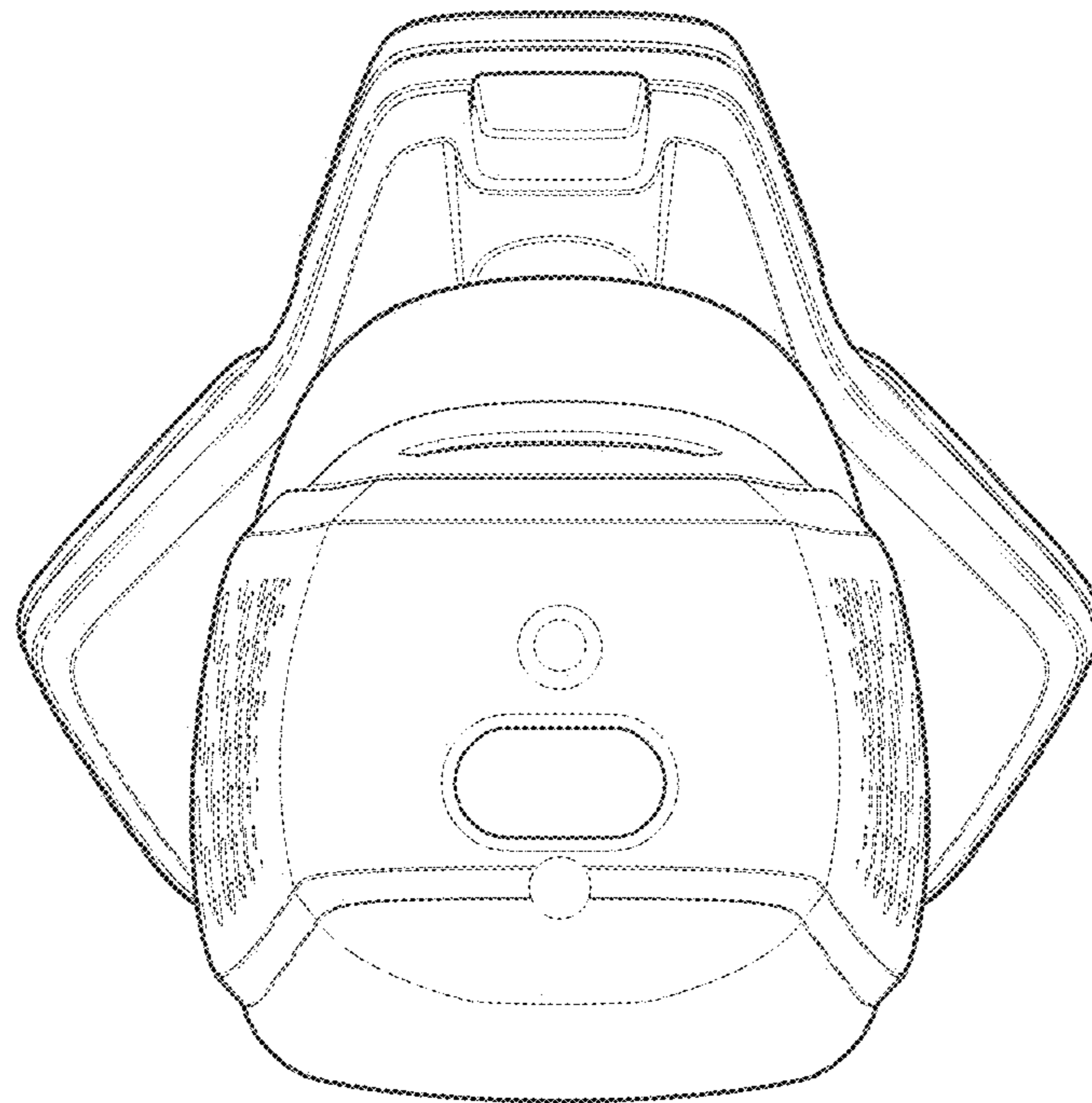


FIG. 21

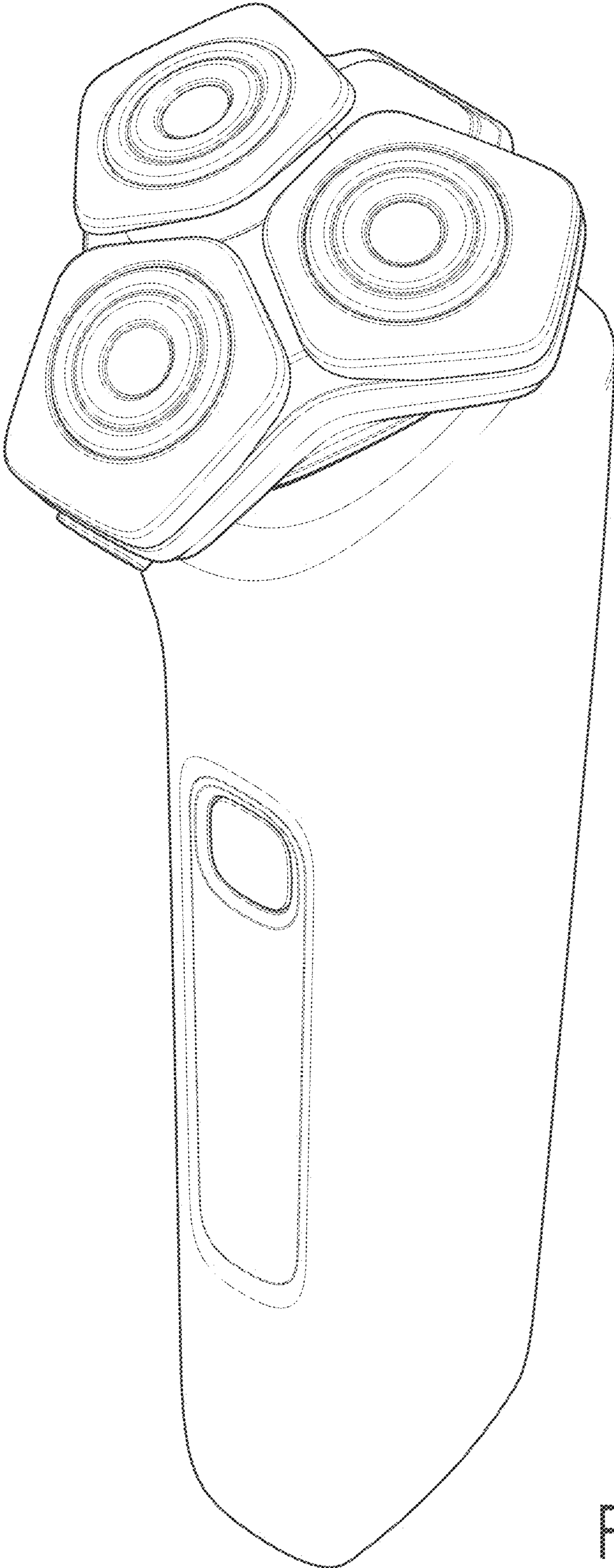


FIG. 22

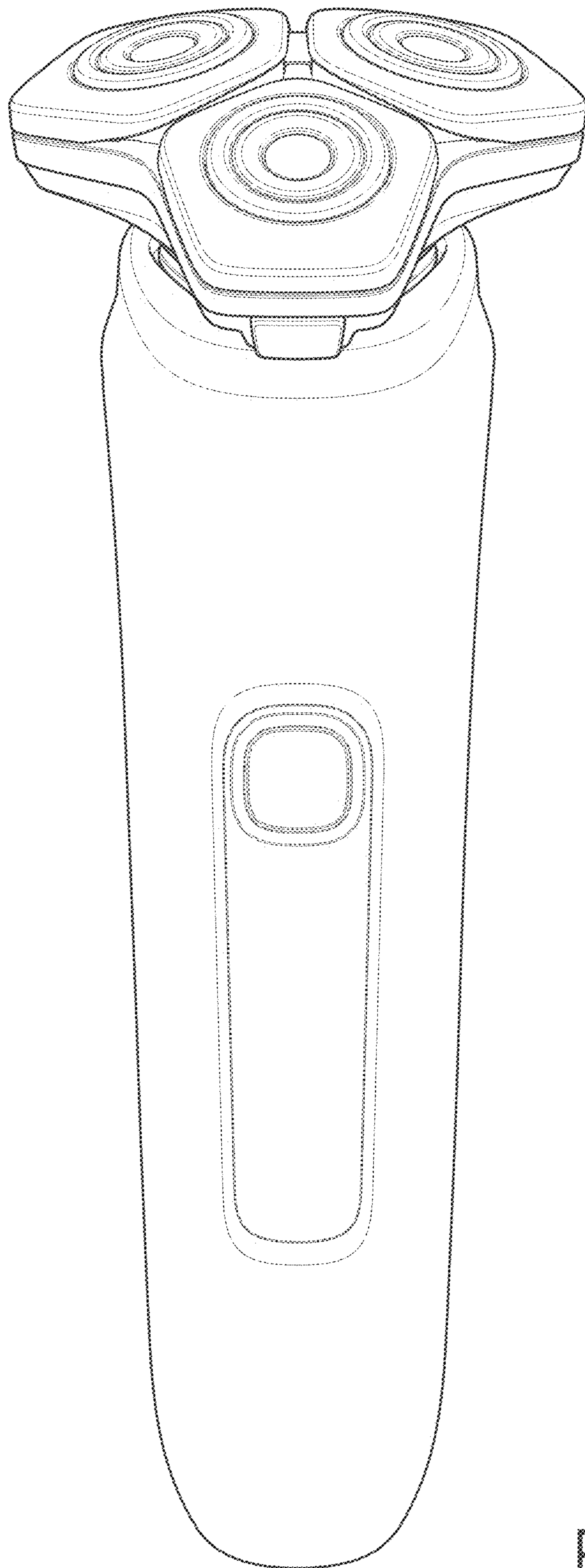


FIG. 23

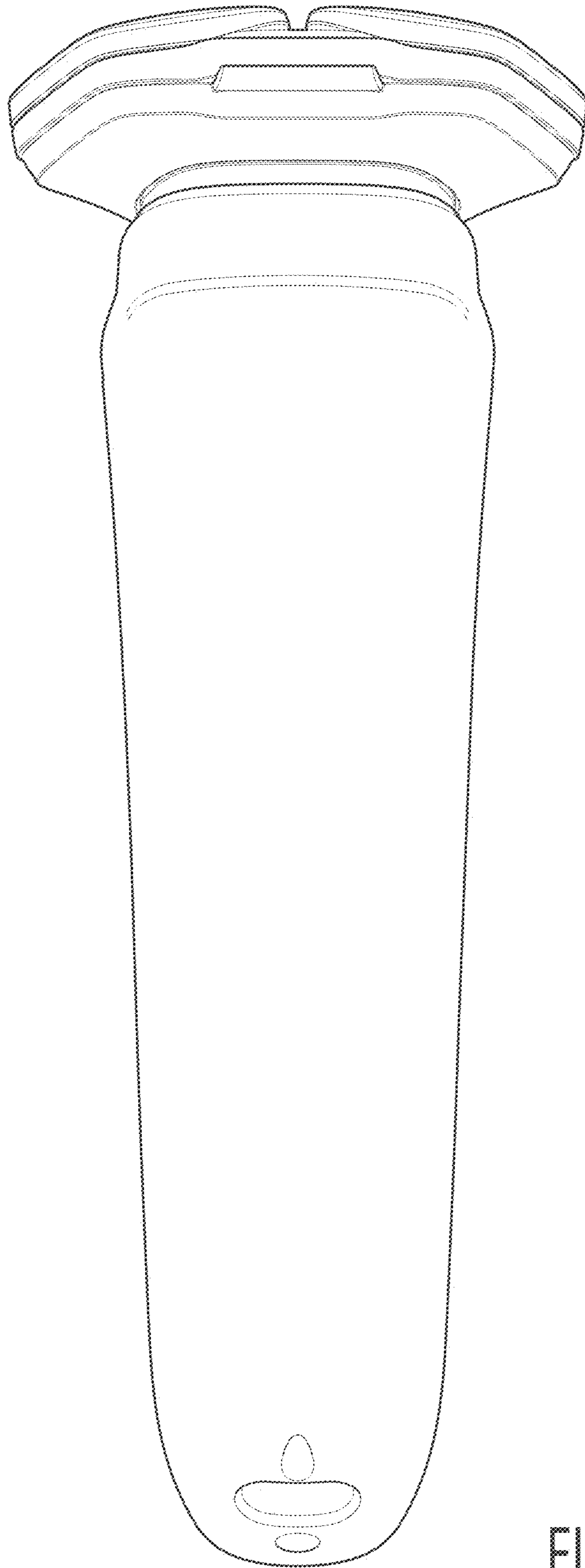


FIG. 24

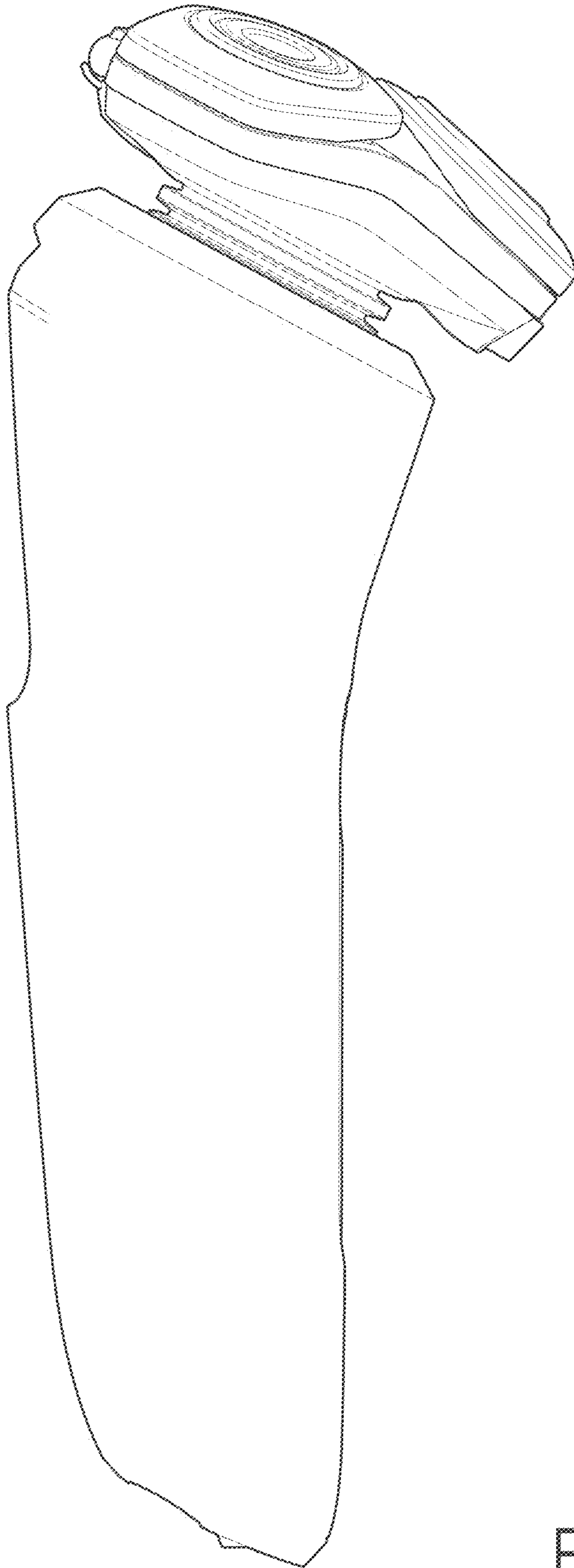


FIG. 25

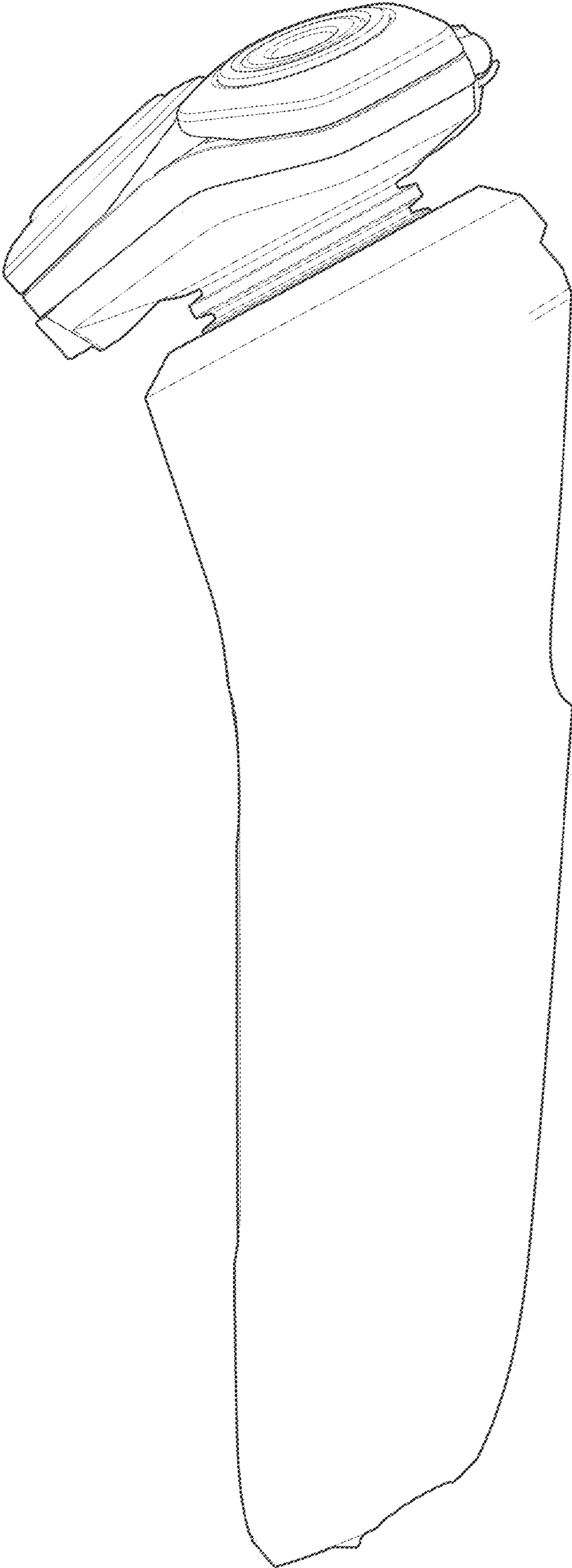


FIG. 26

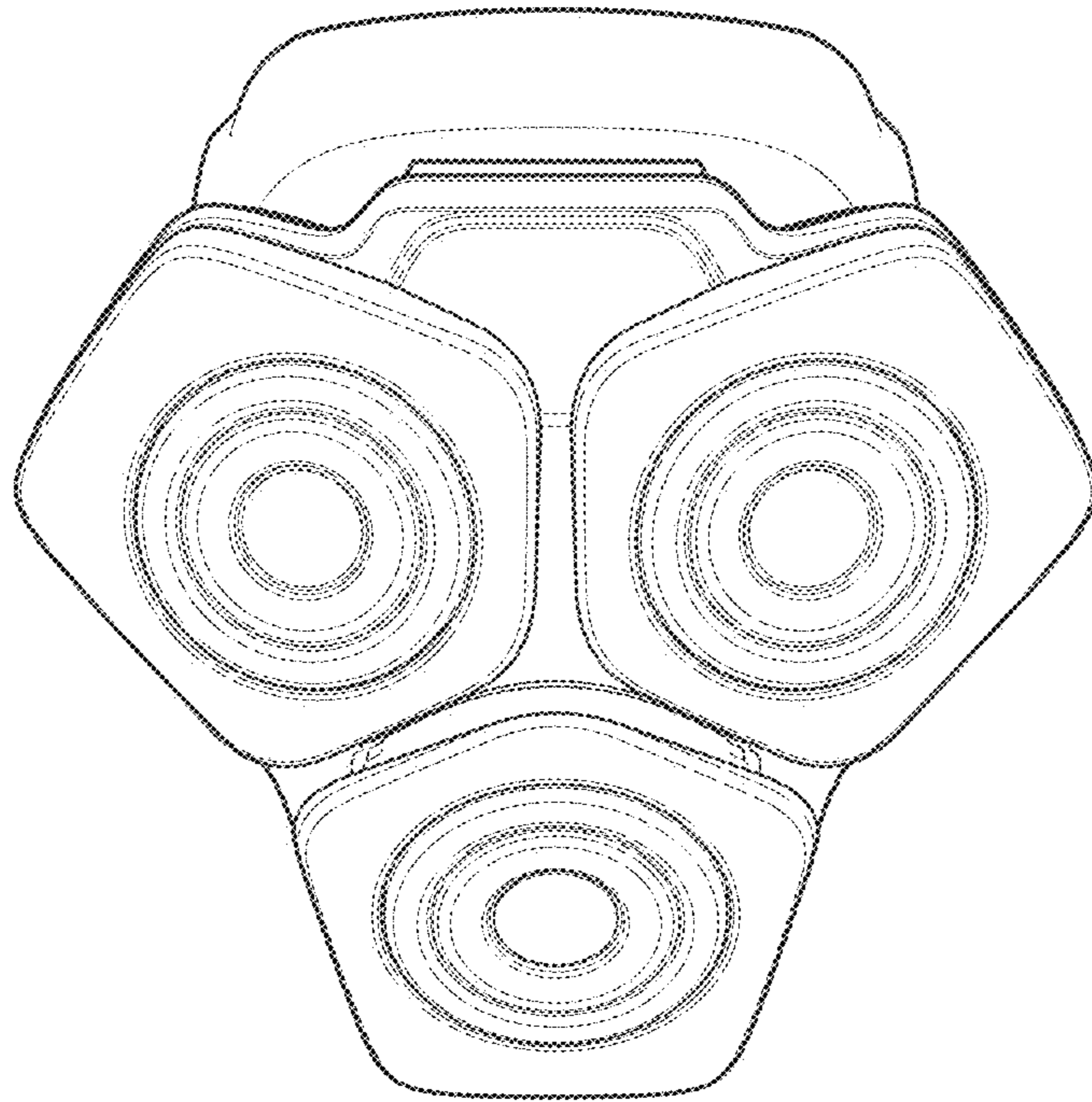


FIG. 27

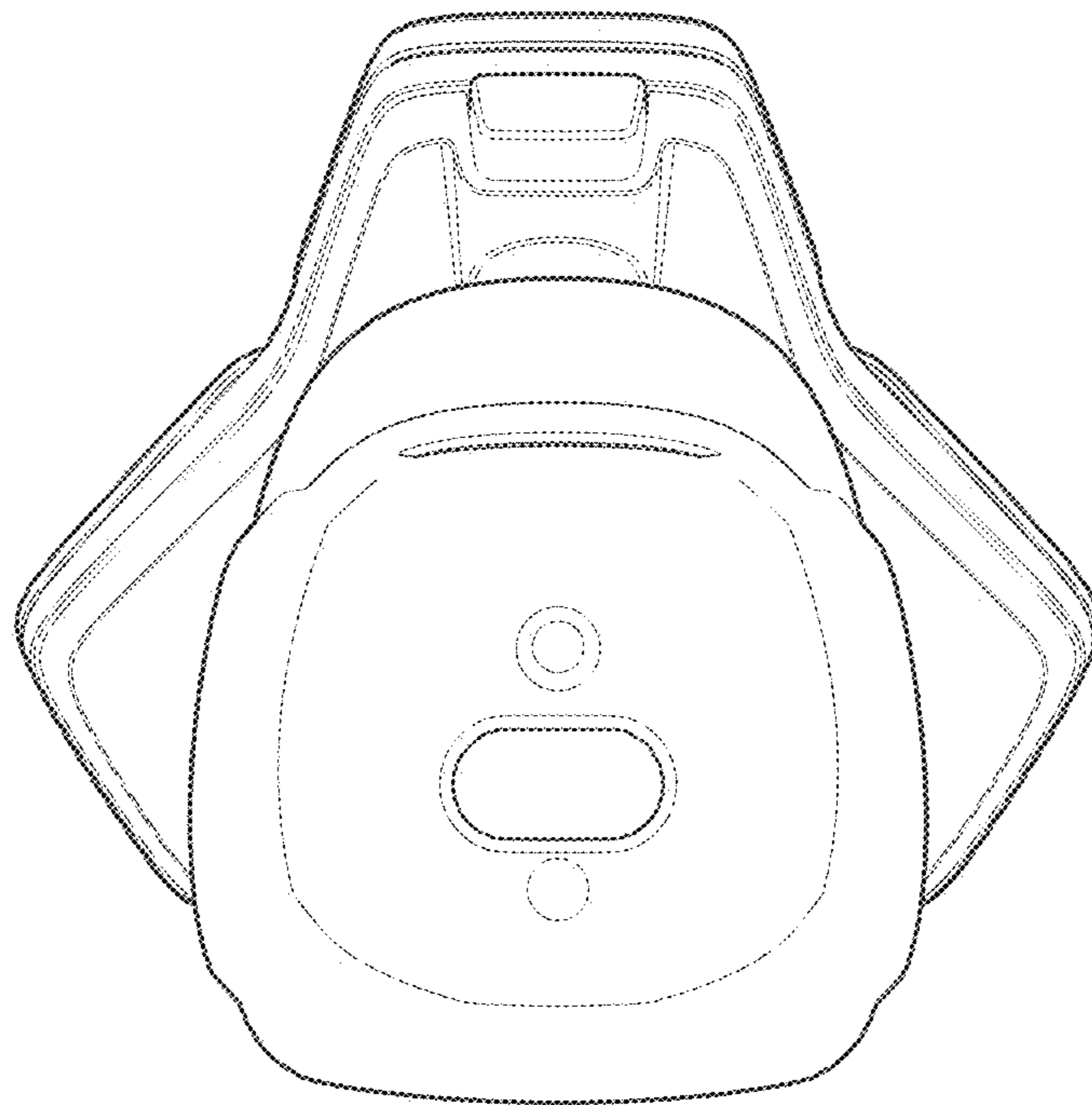


FIG. 28

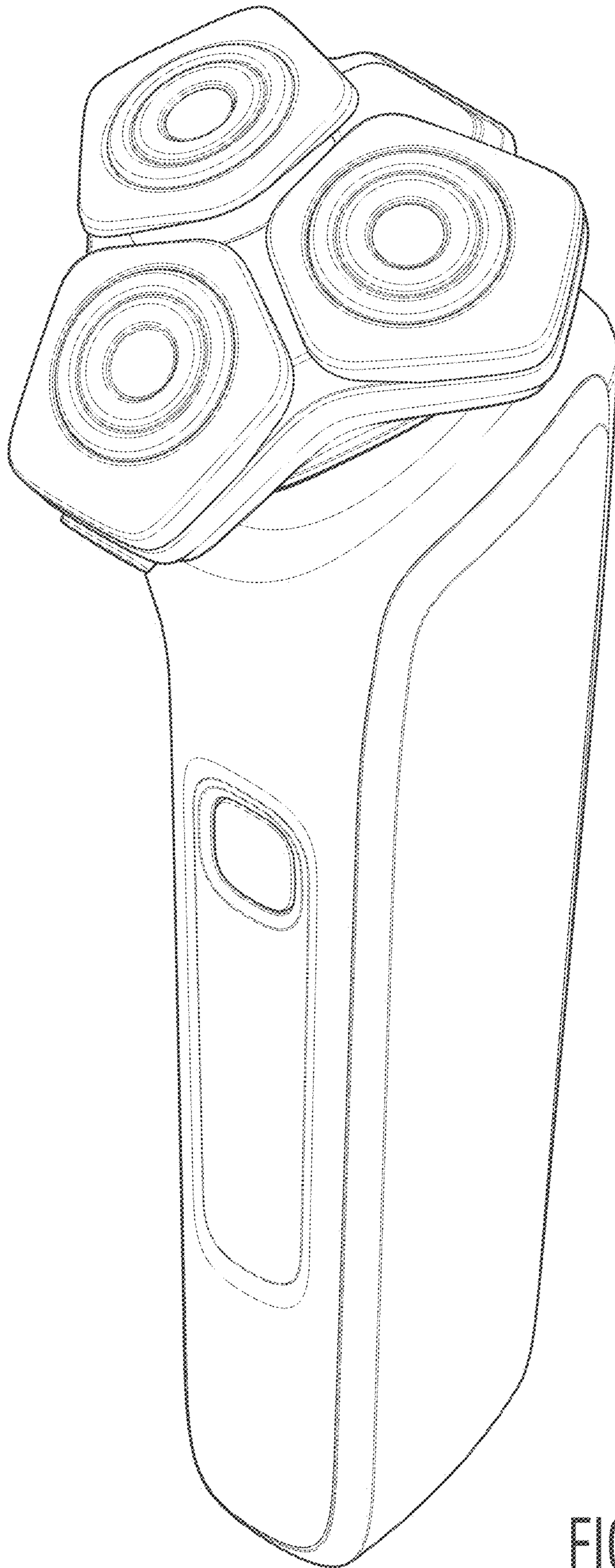


FIG. 29

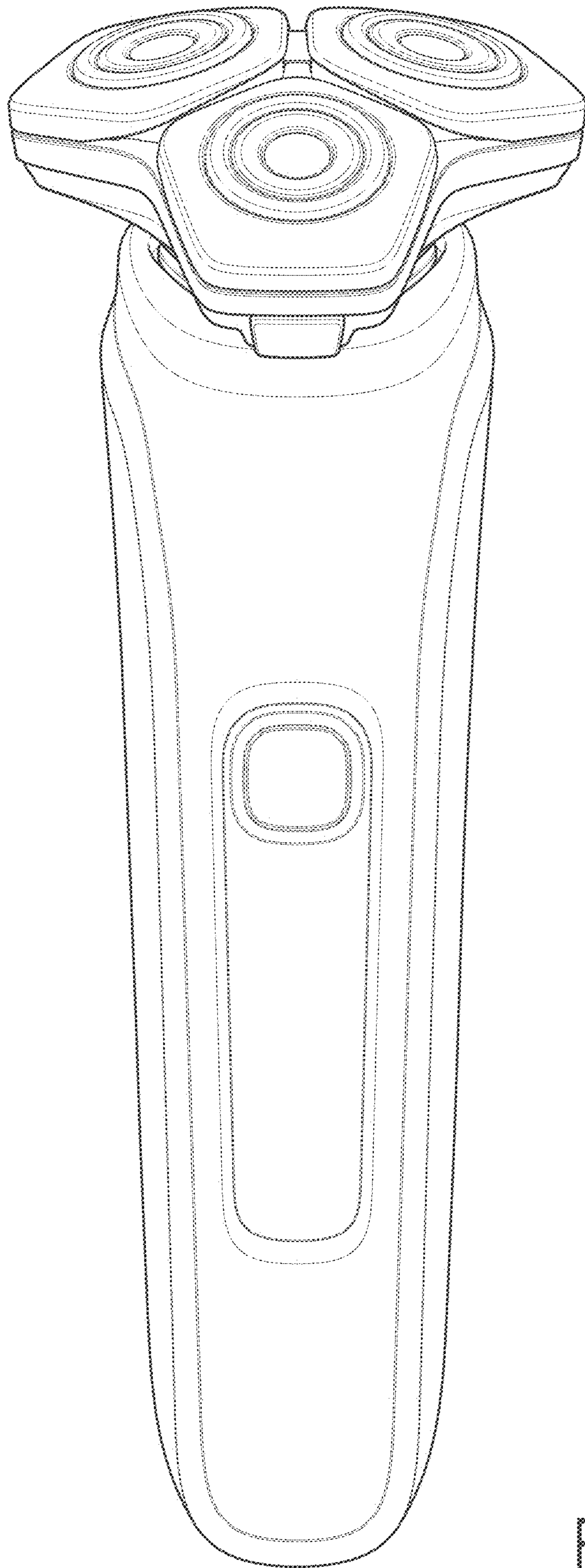


FIG. 30

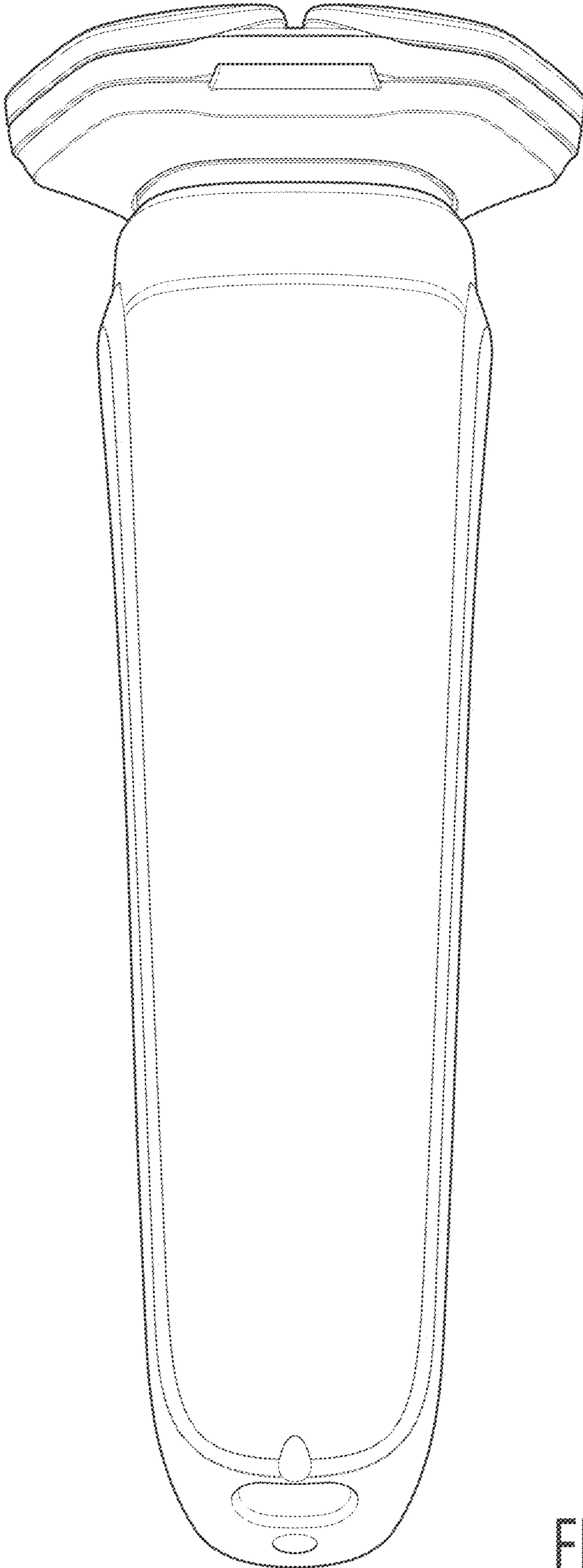


FIG. 31

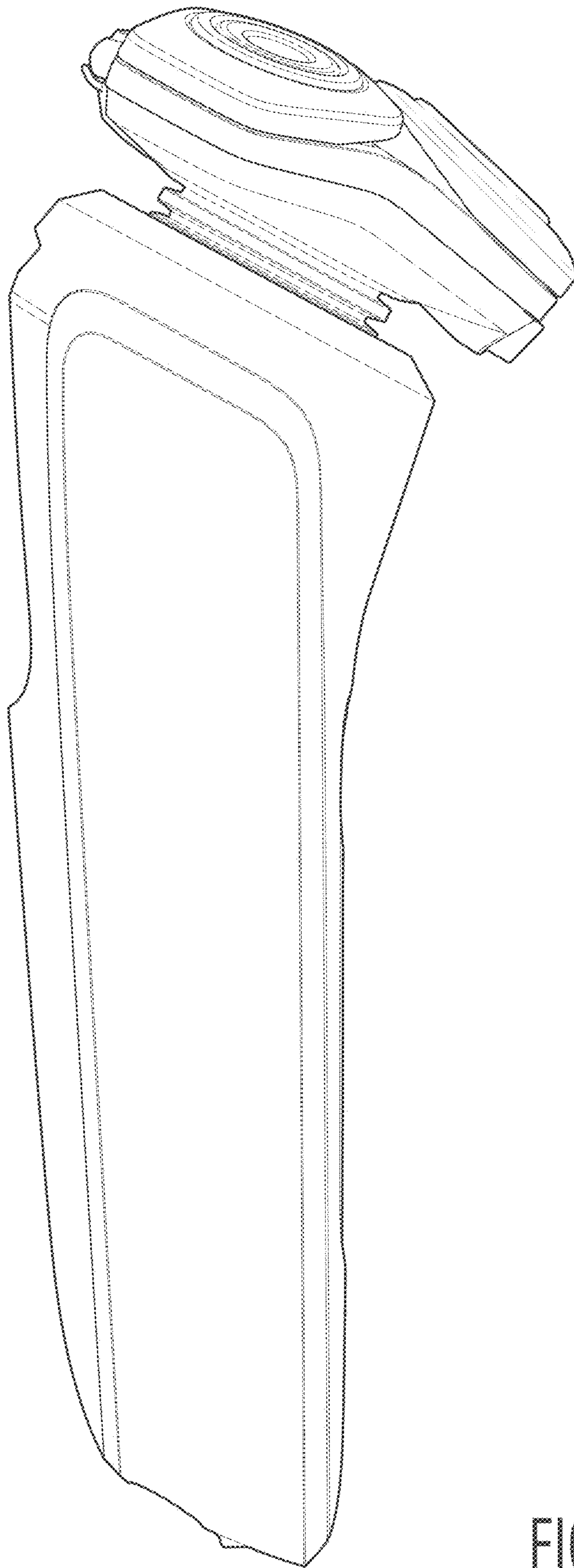


FIG. 32

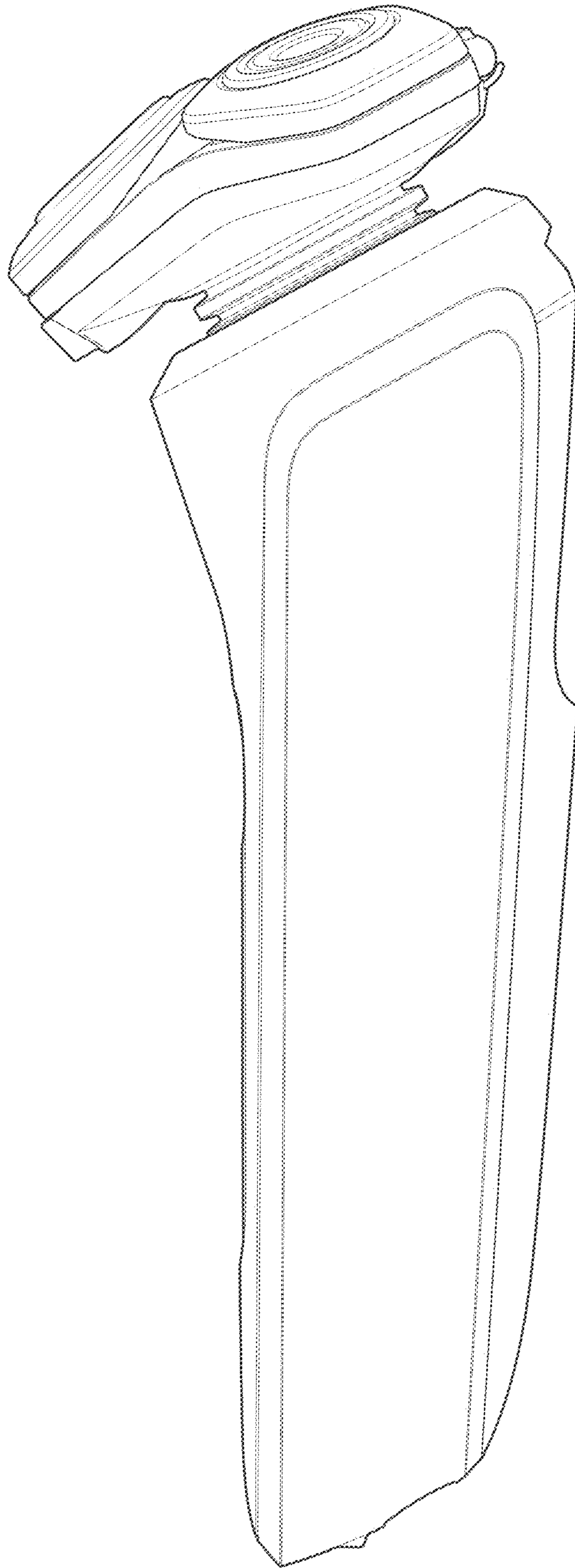


FIG. 33

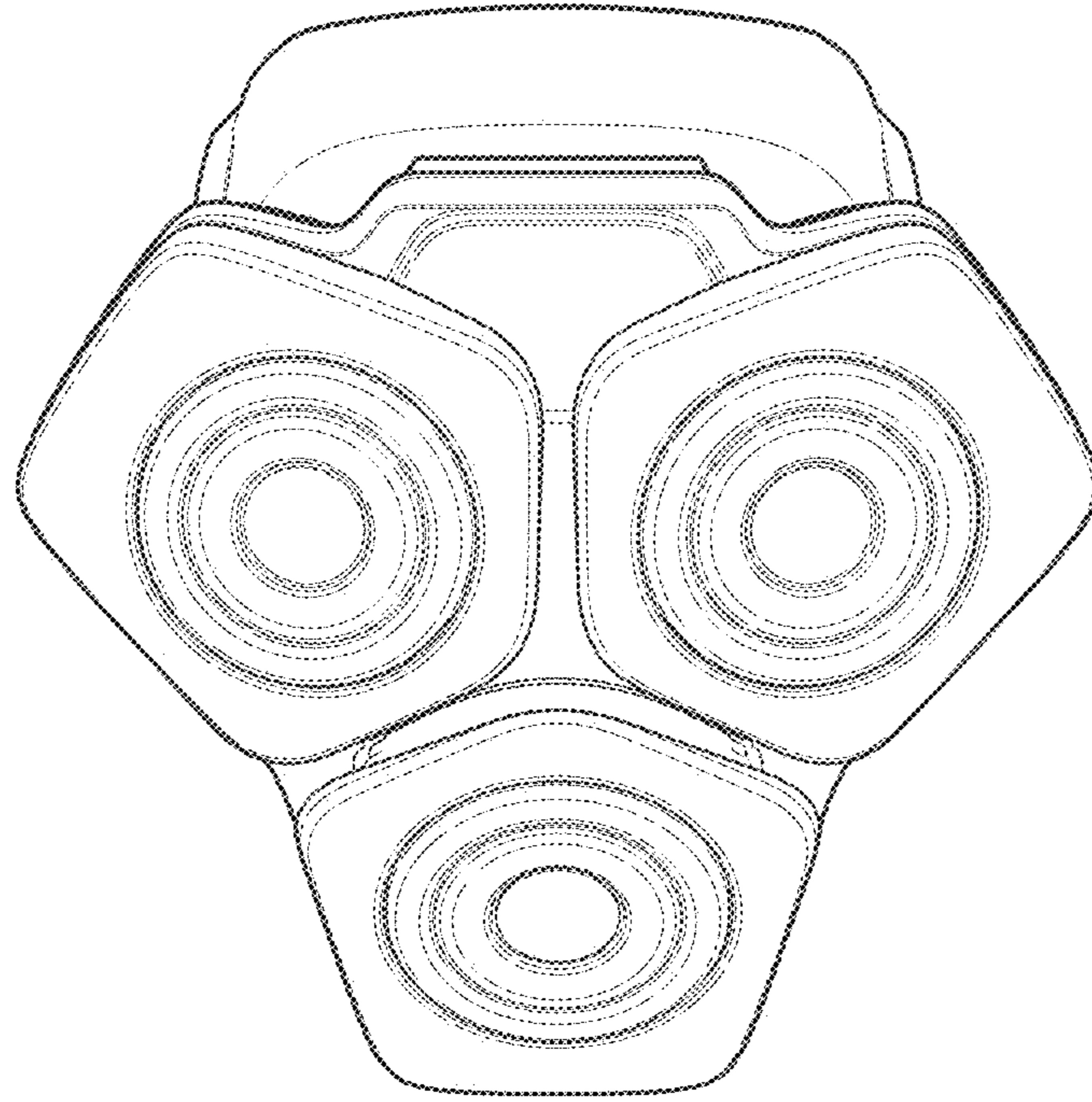


FIG. 34

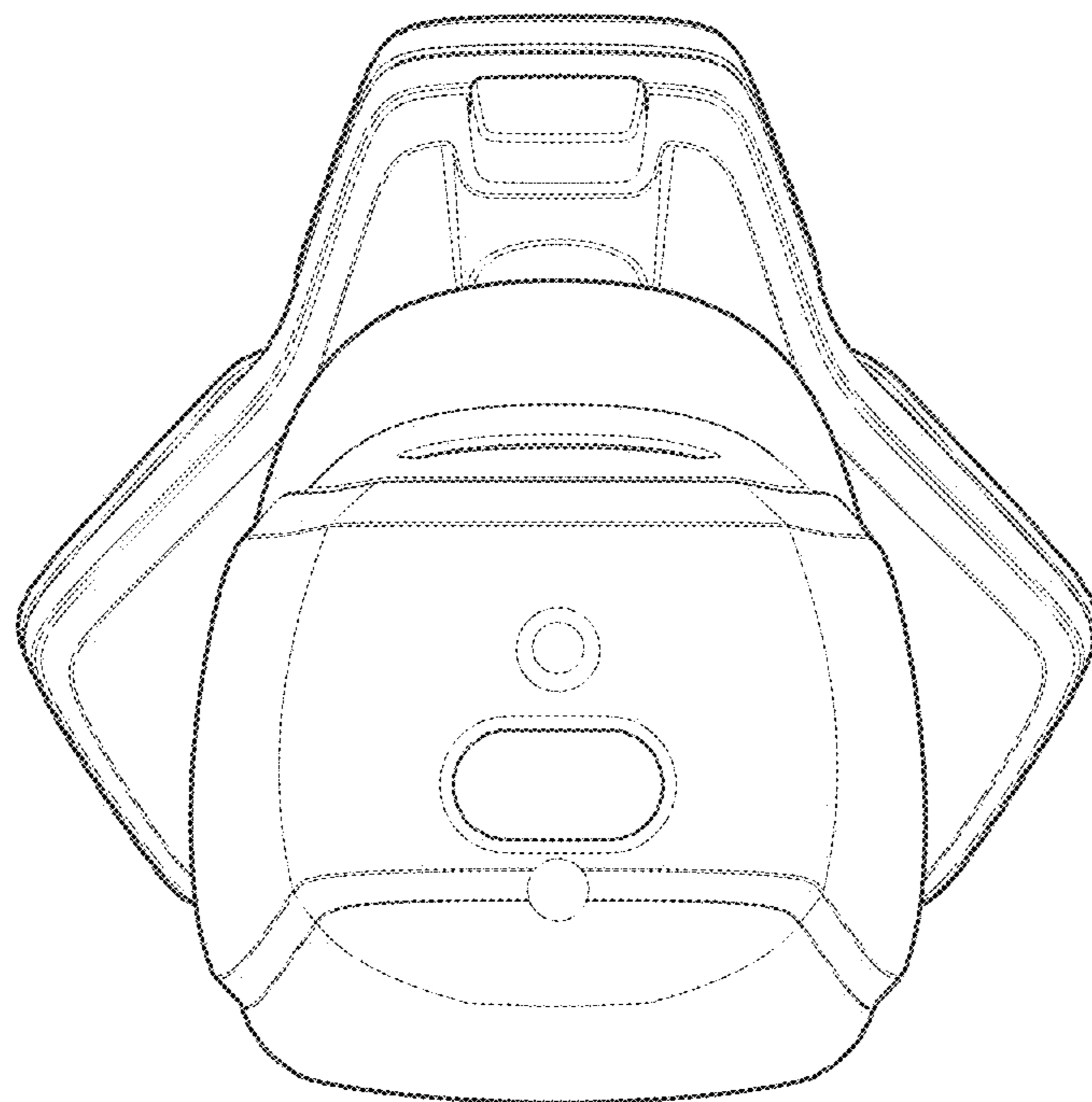


FIG. 35

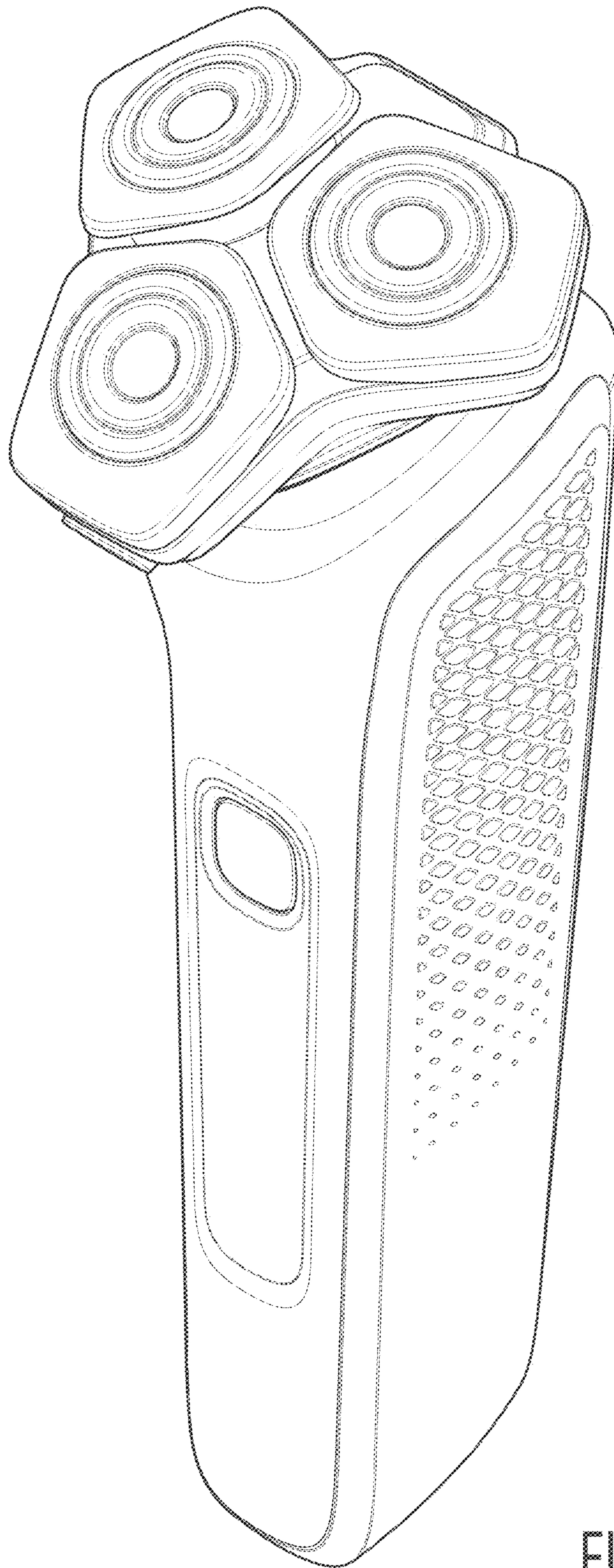


FIG. 36

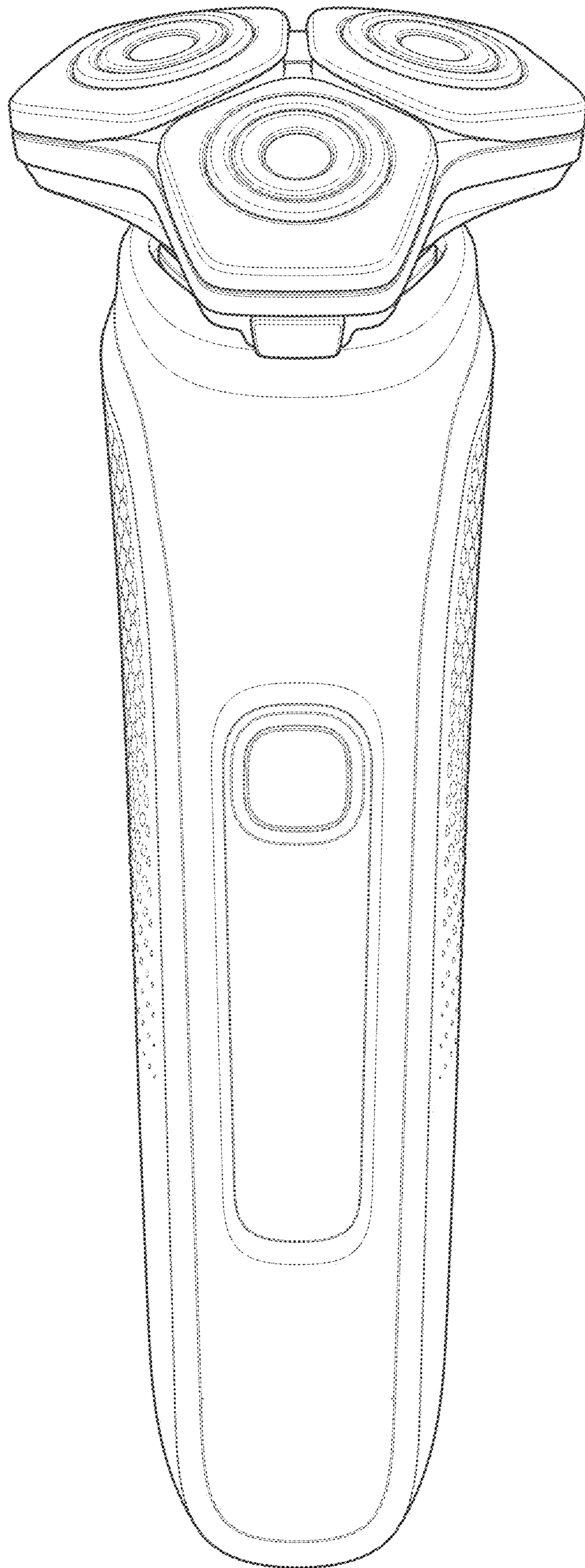


FIG. 37

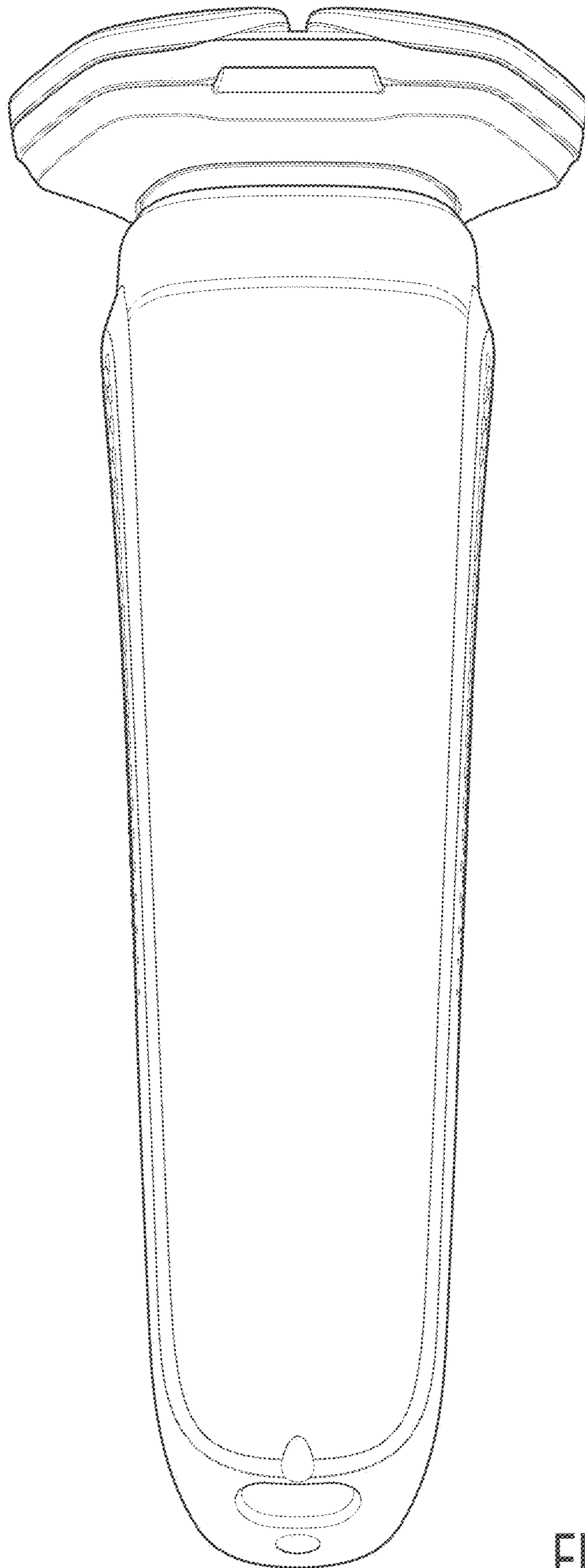


FIG. 38

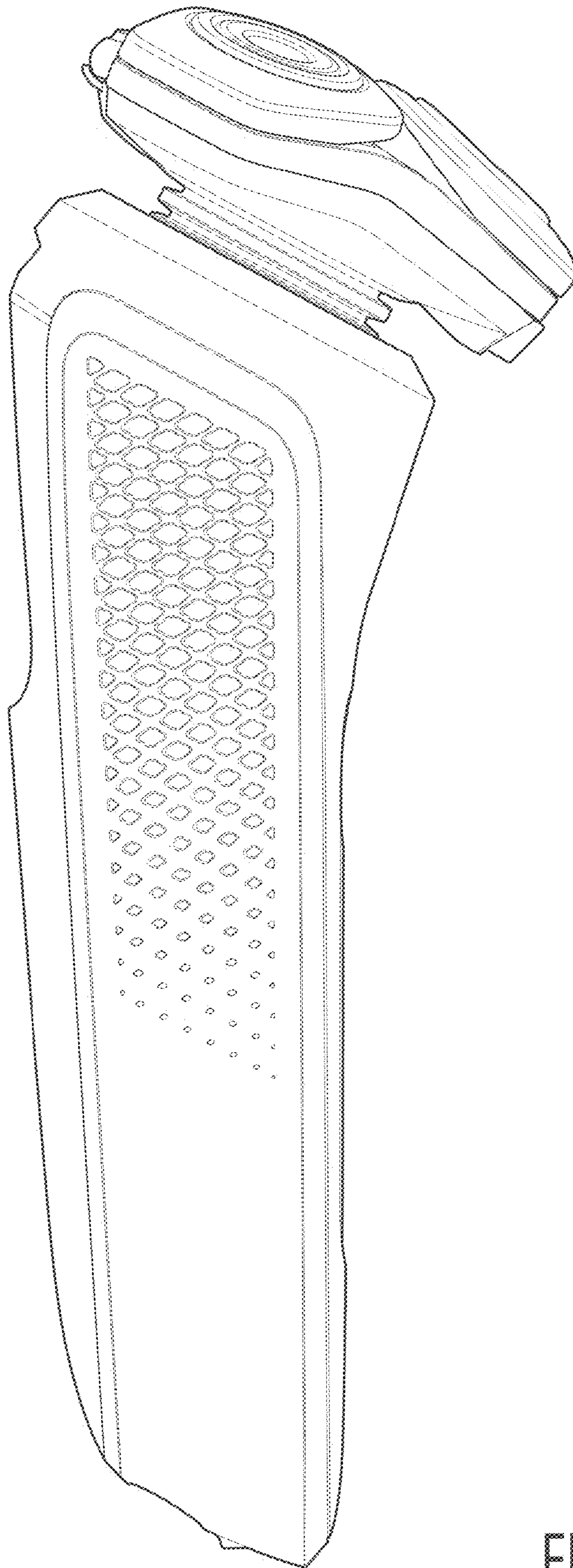


FIG. 39

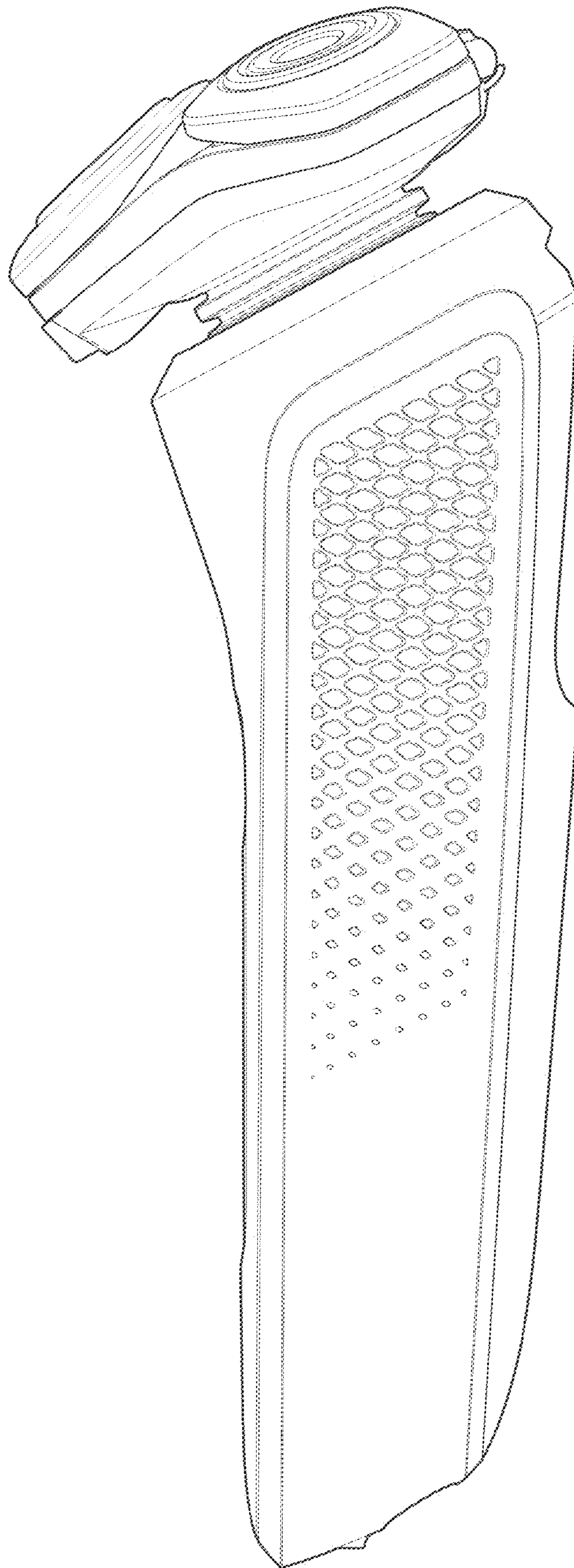


FIG. 40

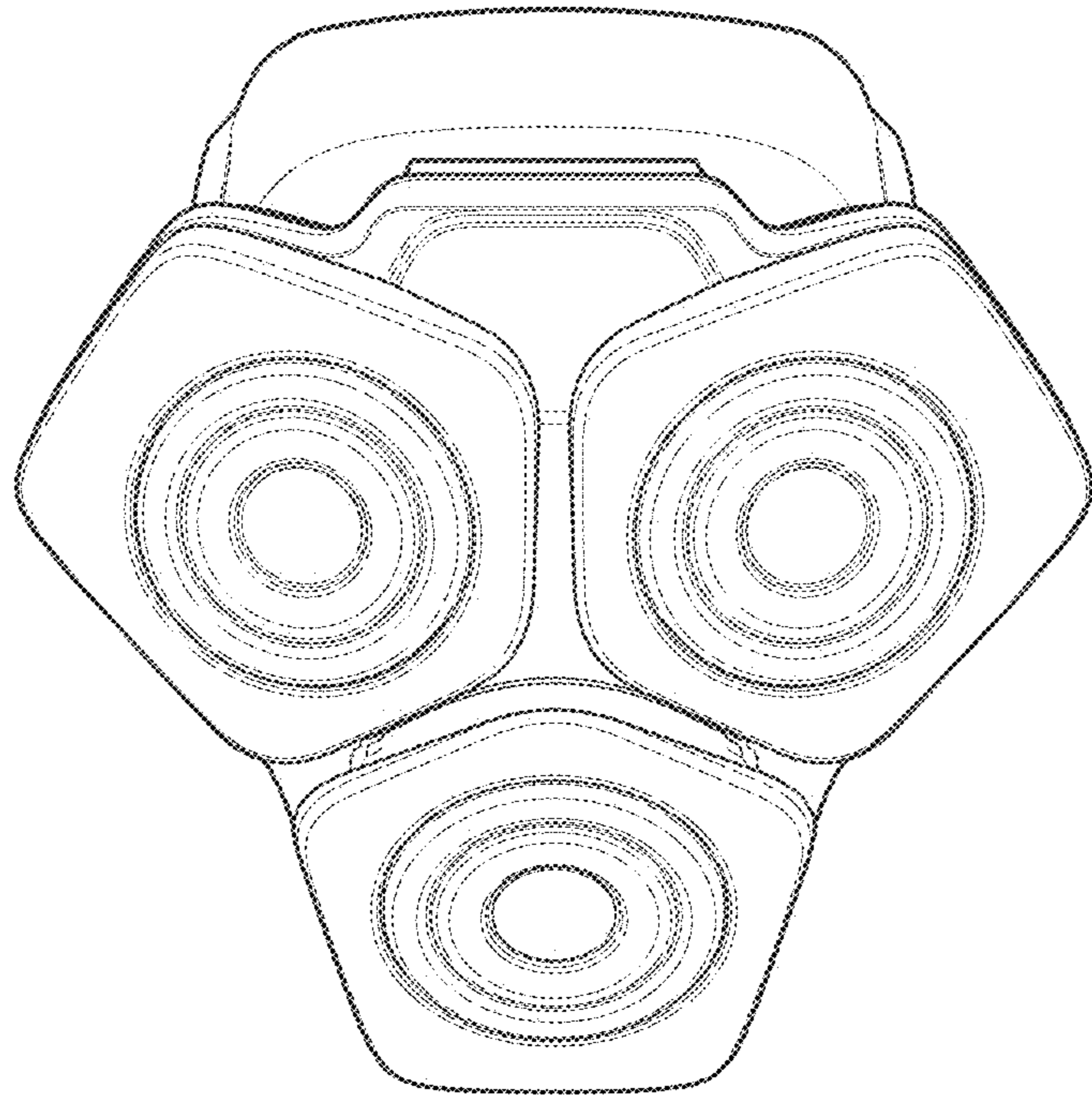


FIG. 41

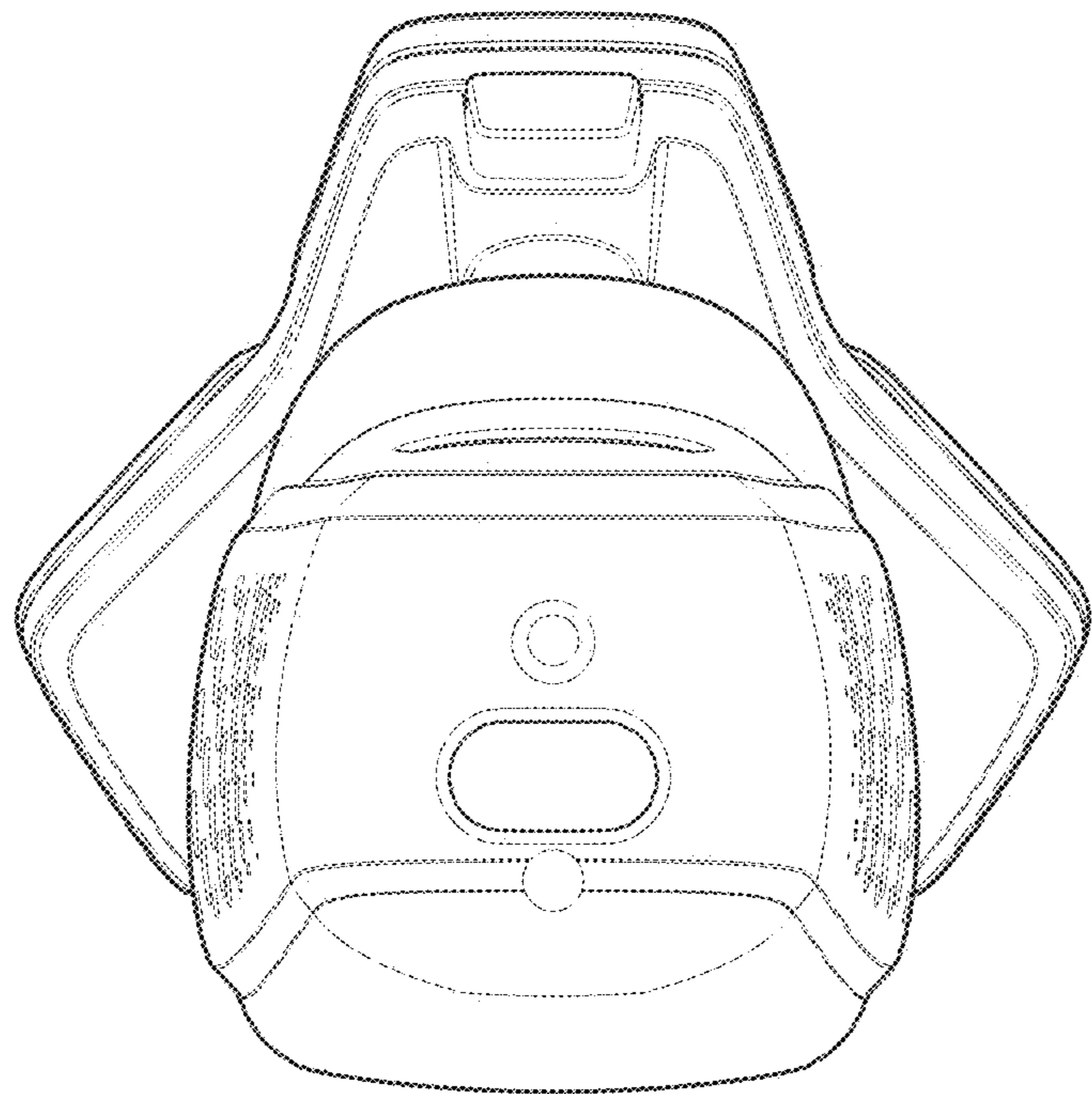


FIG. 42