



US00D980525S

(12) **United States Design Patent**  
**Fischer**

(10) **Patent No.:** **US D980,525 S**  
(45) **Date of Patent:** **\*\* Mar. 7, 2023**

- (54) **RAZOR CARTRIDGE HOUSING**
- (71) Applicant: **Edgewell Personal Care Brands, LLC, Chesterfield, MO (US)**
- (72) Inventor: **Stephan Fischer, Gevelsberg (DE)**
- (73) Assignee: **EDGEWELL PERSONAL CARE BRANDS, LLC, Chesterfield, MO (US)**
- (\*\*) Term: **15 Years**
- (21) Appl. No.: **29/777,278**
- (22) Filed: **Apr. 5, 2021**
- (51) **LOC (14) Cl.** ..... **28-03**
- (52) **U.S. Cl.**  
USPC ..... **D28/47**
- (58) **Field of Classification Search**  
USPC ..... D28/46-48  
CPC ..... B26B 21/00; B26B 21/08; B26B 21/22;  
B26B 21/40; B26B 21/4012; B26B 21/4018; B26B 21/4025; B26B 21/4037;  
B26B 21/4068; B26B 21/4075  
See application file for complete search history.

6,182,365	B1 *	2/2001	Tseng	.....	B26B 21/443	30/34.2
D588,745	S *	3/2009	Fischer	.....	D28/47	
D601,754	S *	10/2009	Keene	.....	D28/47	
8,726,518	B2	5/2014	Bruno			
D731,708	S *	6/2015	Tucker	.....	D28/47	
D737,512	S *	8/2015	Bruno	.....	D28/47	
D844,898	S *	4/2019	Knapp	.....	D28/47	
D850,722	S *	6/2019	Knapp	.....	D28/47	
10,307,923	B2 *	6/2019	Psimadas	.....	B26B 21/4018	
D866,069	S	11/2019	Long et al.			
D905,908	S *	12/2020	Washington	.....	D28/47	
10,898,425	B2 *	1/2021	Wang	.....	A61K 8/8135	
D945,064	S *	3/2022	Lee	.....	D28/47	
2020/0031005	A1 *	1/2020	Kim	.....	B26B 21/225	

\* cited by examiner

*Primary Examiner* — Alison M Ofstun

(57) **CLAIM**

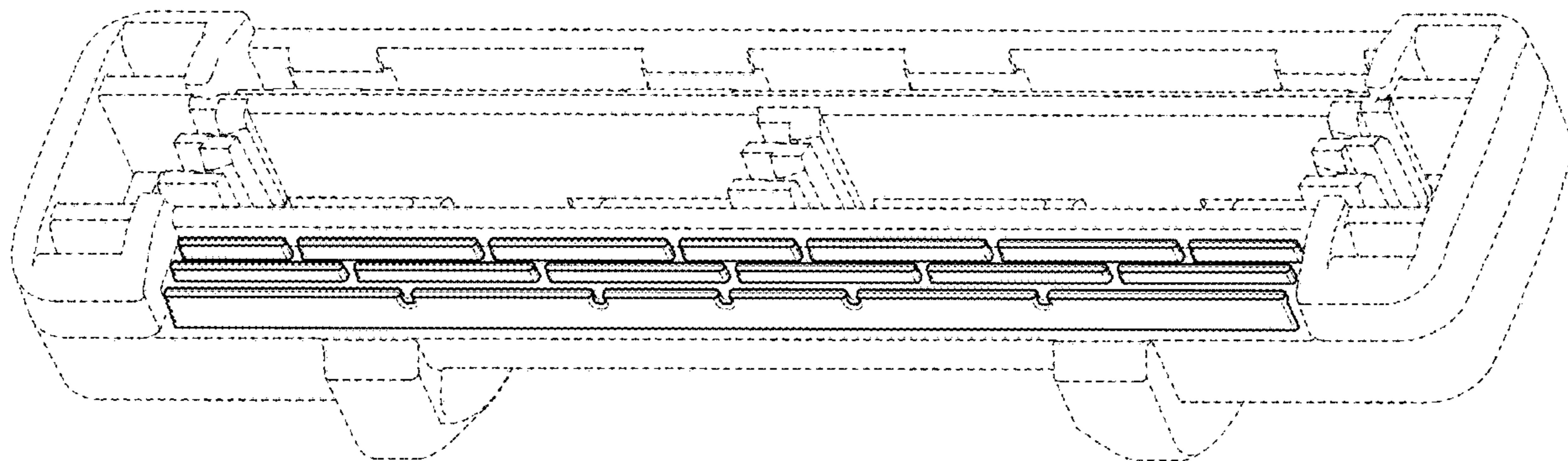
The ornamental design for a razor cartridge housing, as shown and described.

**DESCRIPTION**

FIG. 1 is an top, front perspective view of a razor cartridge housing.  
 FIG. 2 is an top, rear perspective view thereof.  
 FIG. 3 is a top view thereof.  
 FIG. 4 is a bottom view thereof.  
 FIG. 5 is a front view thereof.  
 FIG. 6 is a rear view thereof.  
 FIG. 7 is a side view thereof; and,  
 FIG. 8 is a side view opposite the side shown in FIG. 7.  
 The broken lines in the figures are for the purpose of illustrating portions of the razor cartridge housing and form no part of the claimed design.

**1 Claim, 5 Drawing Sheets**

- (56) **References Cited**  
U.S. PATENT DOCUMENTS
- 5,191,712 A 3/1993 Crook et al.
- 5,794,343 A 8/1998 Lee et al.
- 6,032,372 A \* 3/2000 Dischler ..... B26B 21/20  
30/346.55
- 6,161,288 A \* 12/2000 Andrews ..... B26B 29/00  
30/527
- 6,167,625 B1 \* 1/2001 King ..... B26B 21/4018  
30/34.2



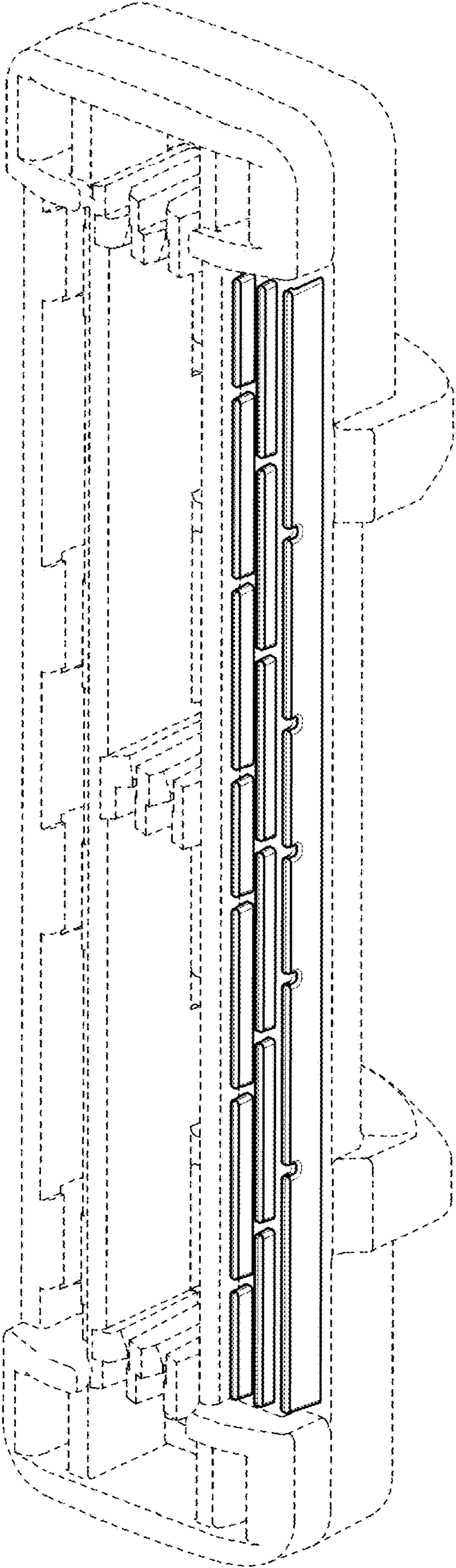


FIG. 1

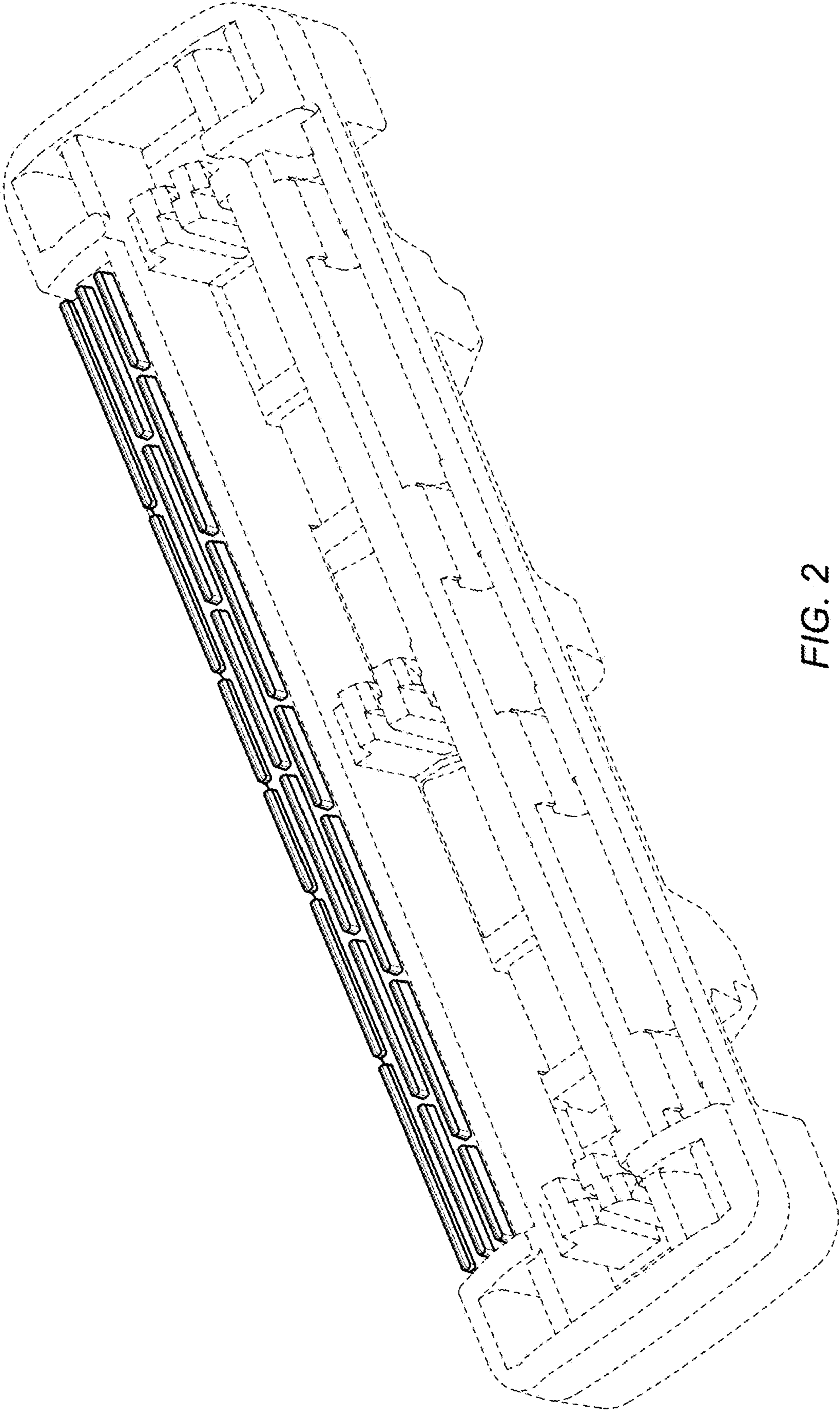


FIG. 2

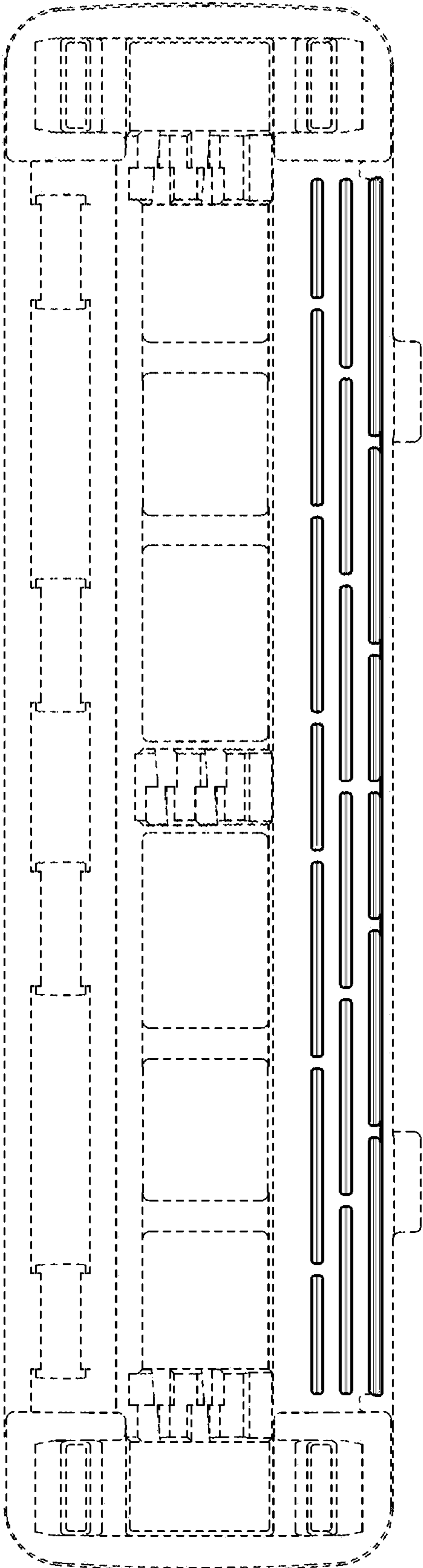


FIG. 3

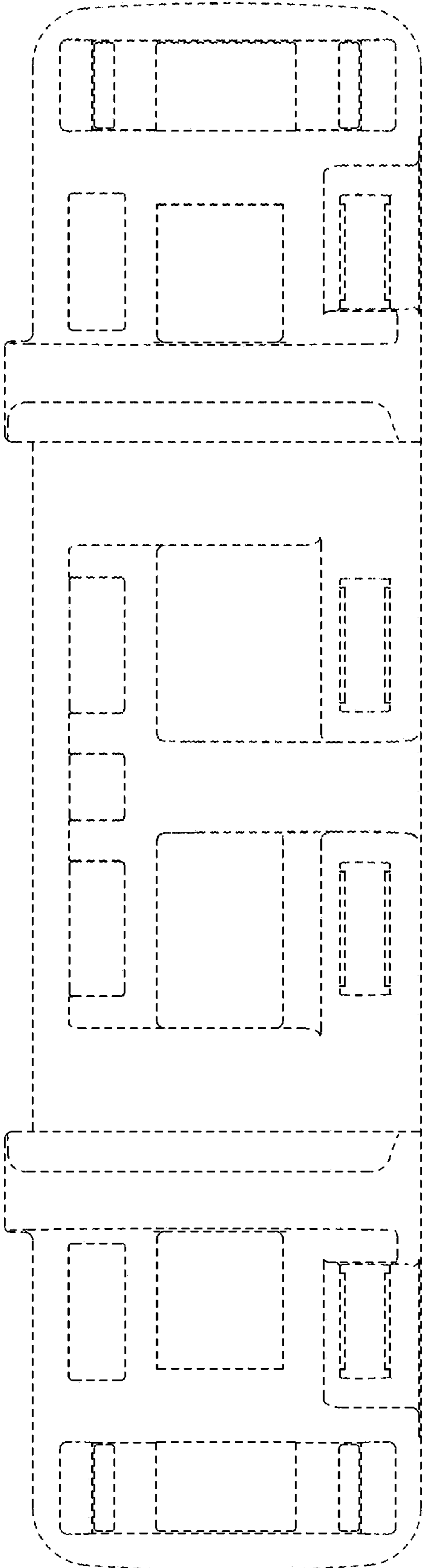


FIG. 4

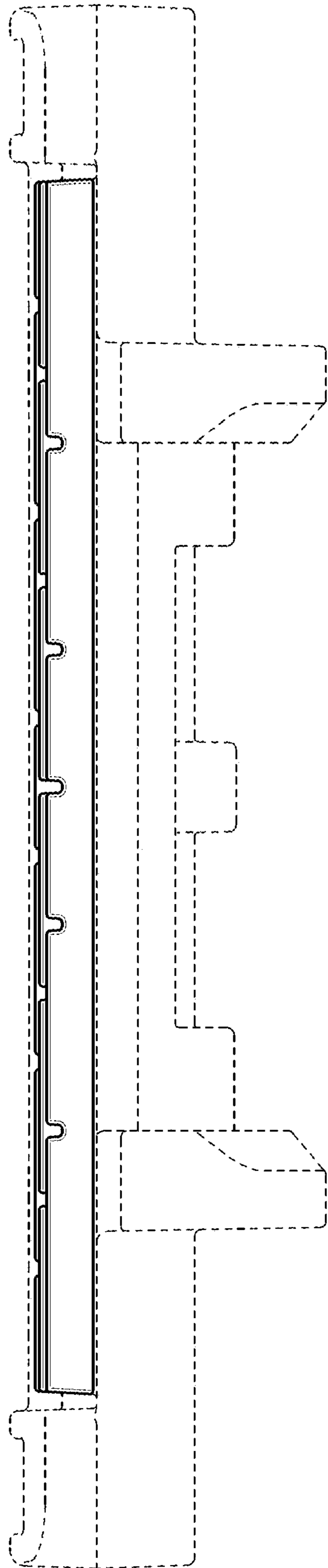


FIG. 5

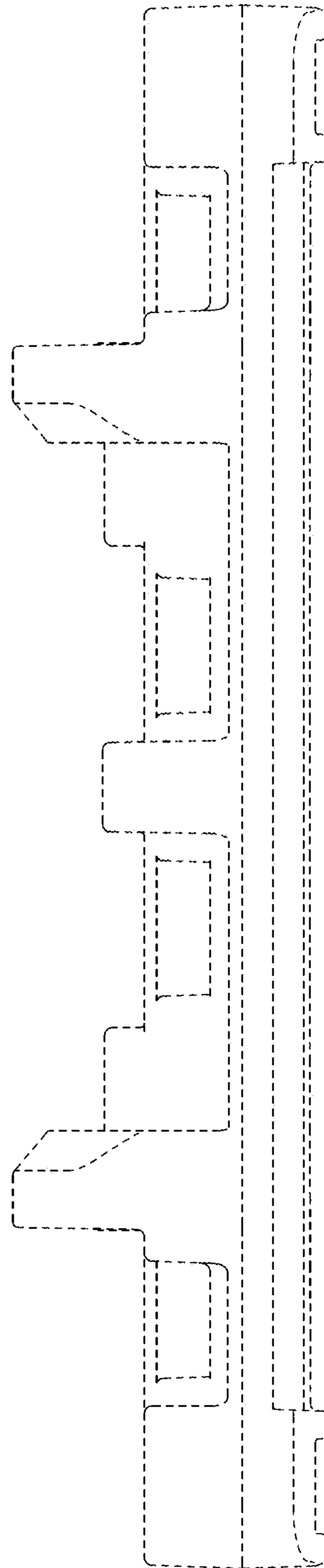


FIG. 6

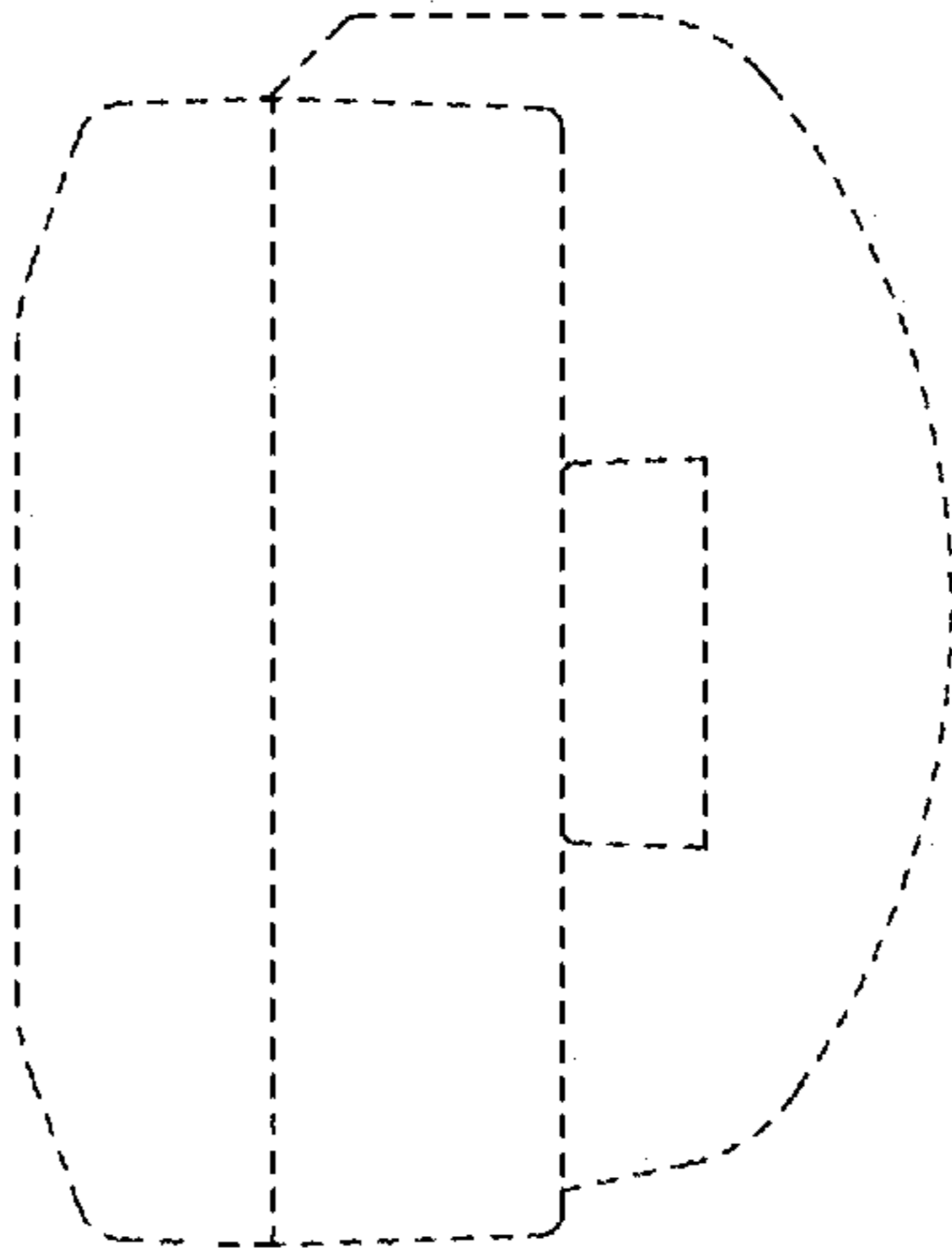


FIG. 8

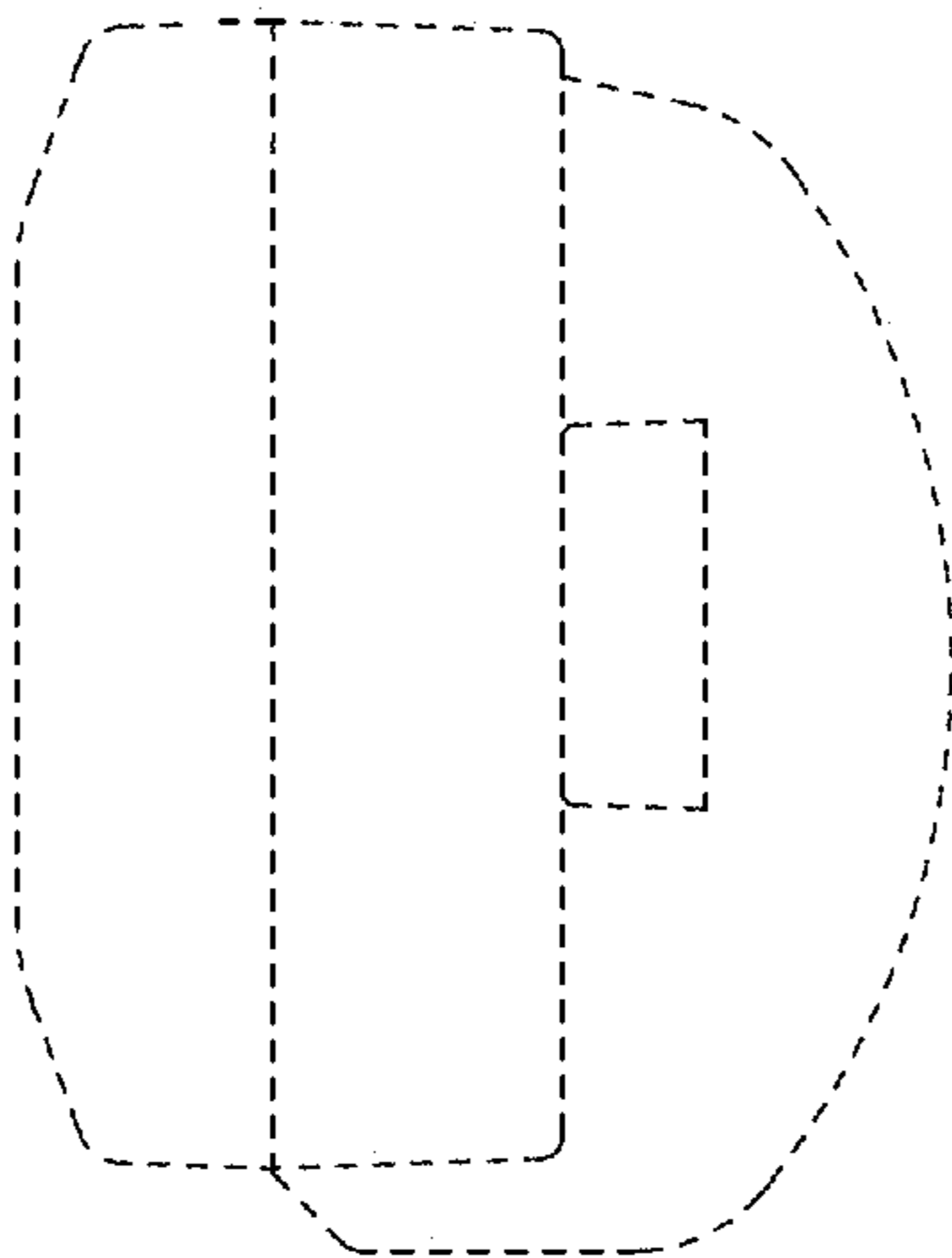


FIG. 7