



US00D980524S

(12) **United States Design Patent** (10) **Patent No.:** **US D980,524 S**
Lai (45) **Date of Patent:** **** Mar. 7, 2023**

(54) **HOT AIR COMB**
(71) Applicant: **Jiangxi Shengming Electronic Technology Co., Ltd., Ganzhou (CN)**
(72) Inventor: **Weiming Lai, Ganzhou (CN)**
(73) Assignee: **Jiangxi Shengming Electronic Technology Co., Ltd., Ganzhou (CN)**

D943,281 S * 2/2022 Zou D28/35
D949,572 S * 4/2022 Colin D4/100
D957,055 S * 7/2022 Zheng D28/35
D961,156 S * 8/2022 Lai D28/35
D964,039 S * 9/2022 Hu D4/100
D968,700 S * 11/2022 Liao D4/133
D973,363 S * 12/2022 Hinds D4/100
D973,364 S * 12/2022 Hinds D4/100
D974,042 S * 1/2023 Hinds D4/100

(Continued)

(**) Term: **15 Years**

FOREIGN PATENT DOCUMENTS

(21) Appl. No.: **29/861,053**

CN 307228415 * 4/2022

(22) Filed: **Nov. 25, 2022**

OTHER PUBLICATIONS

(51) **LOC (14) Cl.** **28-03**
(52) **U.S. Cl.**
USPC **D28/35**

“Revlon”, Feb. 12, 2019, Youtube, site visited Jan. 12, 2023:
<https://www.youtube.com/watch?v=i5k8-o9zhpc> (Year: 2019).*

(Continued)

(58) **Field of Classification Search**
USPC D4/100, 127, 128, 130, 132, 133, 134,
D4/135, 136, 137, 138, 199; D28/10, 13,
D28/25, 28, 35, 15, 24
CPC A45D 20/00; A45D 20/08; A45D 20/50;
A45D 20/52; A45D 24/16; A45D 20/10
See application file for complete search history.

Primary Examiner — Jack Reickel
Assistant Examiner — Salamah Jordan
(74) *Attorney, Agent, or Firm* — Nitin Kaushik

(56) **References Cited**

(57) **CLAIM**

The ornamental design for a hot air comb, as shown and described.

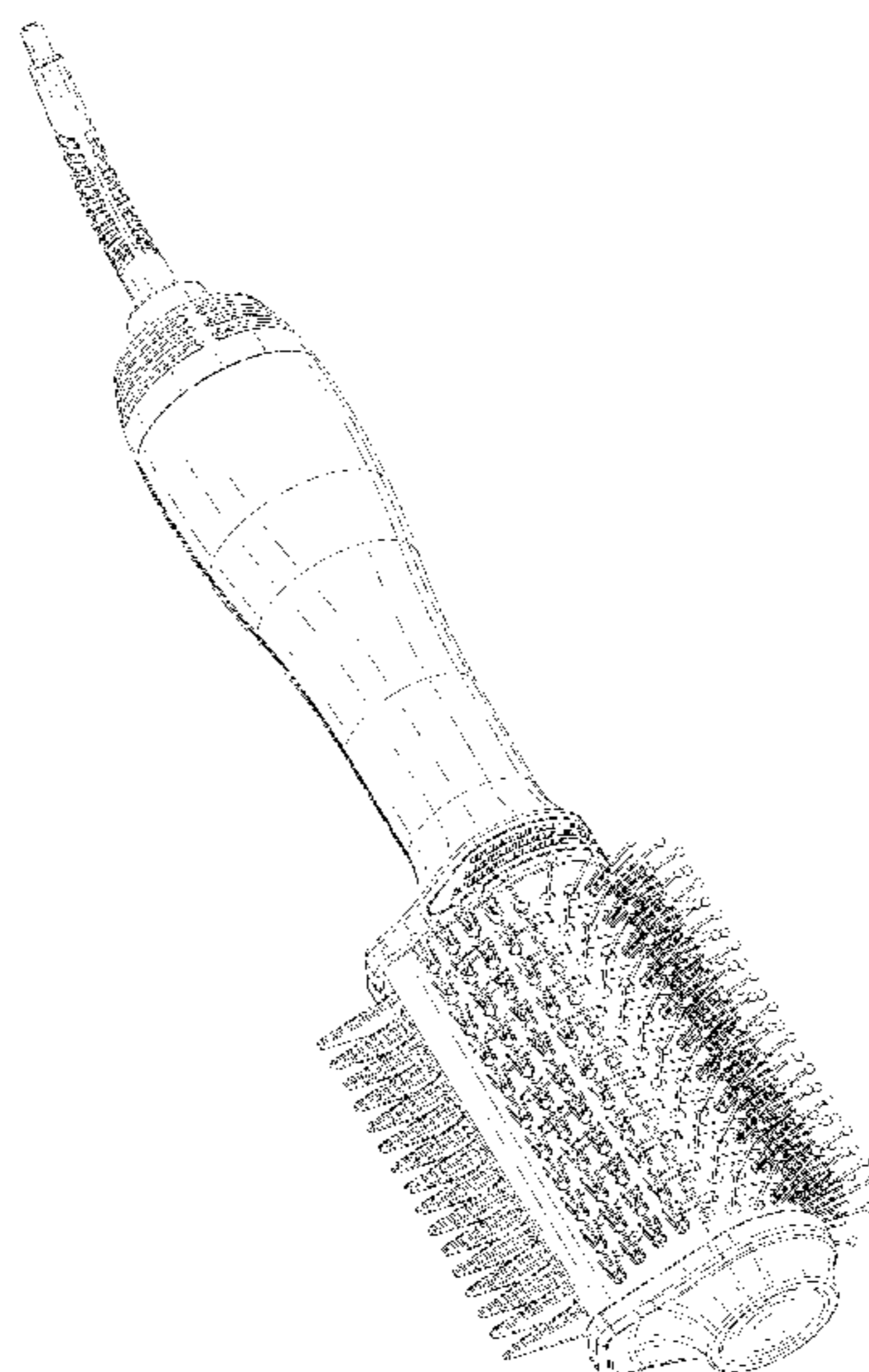
U.S. PATENT DOCUMENTS

DESCRIPTION

5,915,391 A * 6/1999 Revil A45D 24/007
10,085,537 B2 * 10/2018 Maclaine A45D 20/10
D890,425 S * 7/2020 Liao D28/13
D902,603 S * 11/2020 Zhanye D28/15
D903,941 S * 12/2020 Koenemann D28/35
D908,956 S * 1/2021 Kwok D28/35
D915,775 S * 4/2021 Moon D4/128
D916,368 S * 4/2021 Koenemann D4/133
D921,291 S * 6/2021 Zhang D4/133
D934,497 S * 10/2021 Hillebrecht D28/35
D934,498 S * 10/2021 Hillebrecht D28/35
D935,186 S * 11/2021 Wansooriya Mudiyansele
D4/100
D941,526 S * 1/2022 Hillebrecht D28/35
D942,757 S * 2/2022 Zhang D28/35

FIG. 1 is a rear perspective view of a hot air comb, showing, my new design;
FIG. 2 is a front view thereof;
FIG. 3 is a rear view thereof;
FIG. 4 is a right side view thereof;
FIG. 5 is a left side view thereof;
FIG. 6 is a top view thereof; and,
FIG. 7 is a bottom view thereof.
The broken lines in the drawings illustrate the portions of the hot air comb, which form no part of the claimed, design.

1 Claim, 7 Drawing Sheets



(56)

References Cited

U.S. PATENT DOCUMENTS

D975,352 S * 1/2023 Yuan D28/35
D975,353 S * 1/2023 Yuan D28/35
2020/0178668 A1* 6/2020 Chen A45D 24/16

OTHER PUBLICATIONS

“HotTools”, Dec. 18, 2019, Youtube, site visited Jan. 12, 2023:
<https://www.youtube.com/watch?v=U0PD2nr6m8c> (Year: 2019).*
“Infiniti Pro by Conair”, Apr. 15, 2018, Youtube, site visited Jan.
12, 2023: <https://www.youtube.com/watch?v=JePvIKyPbAk> (Year:
2018).*

* cited by examiner

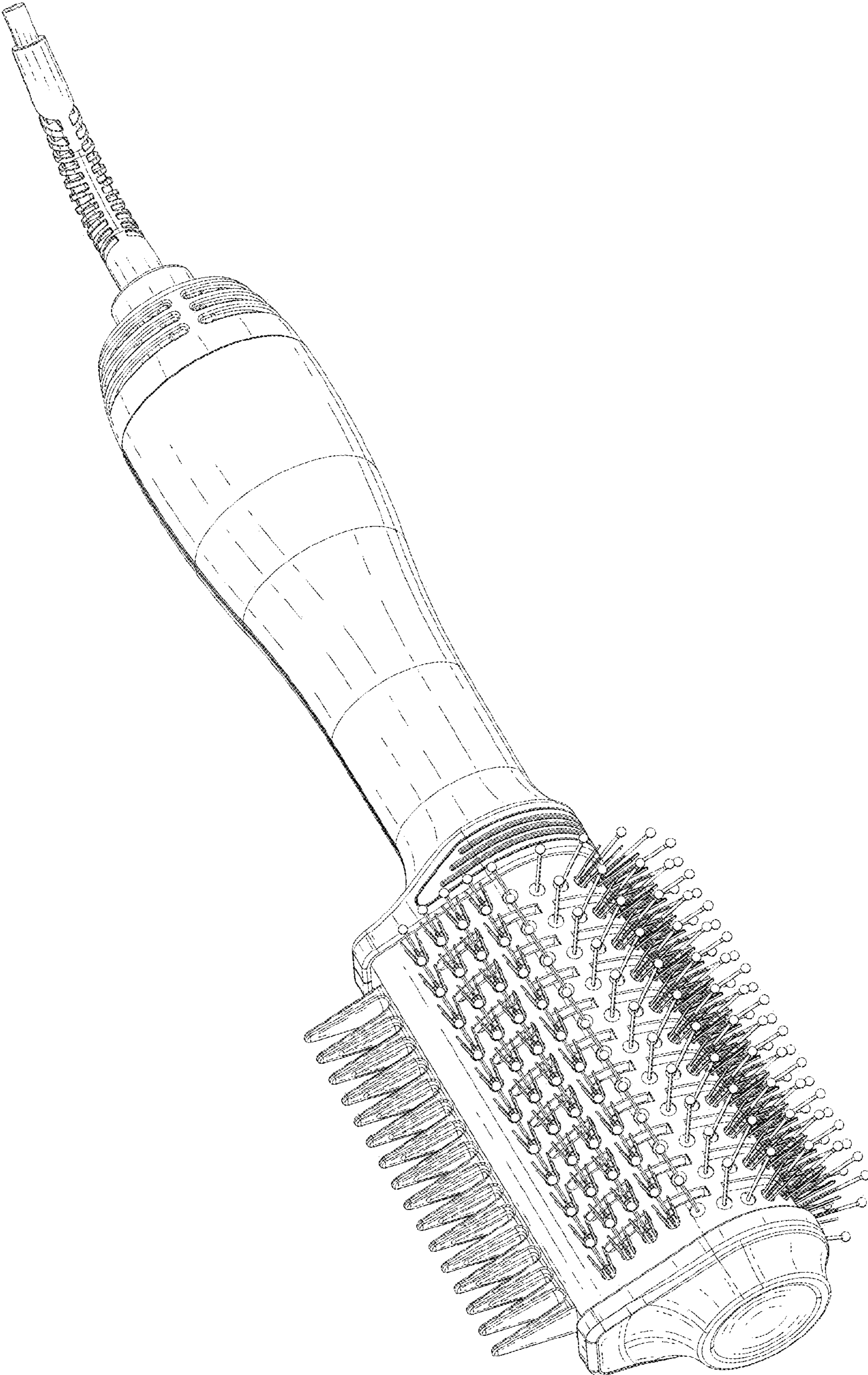


FIG. 1

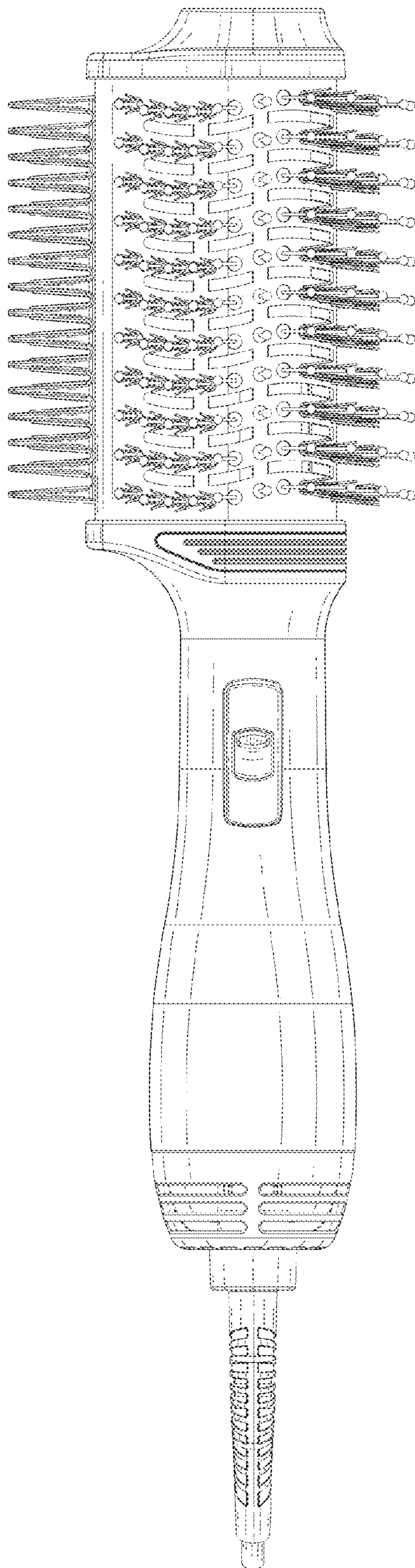


FIG. 2

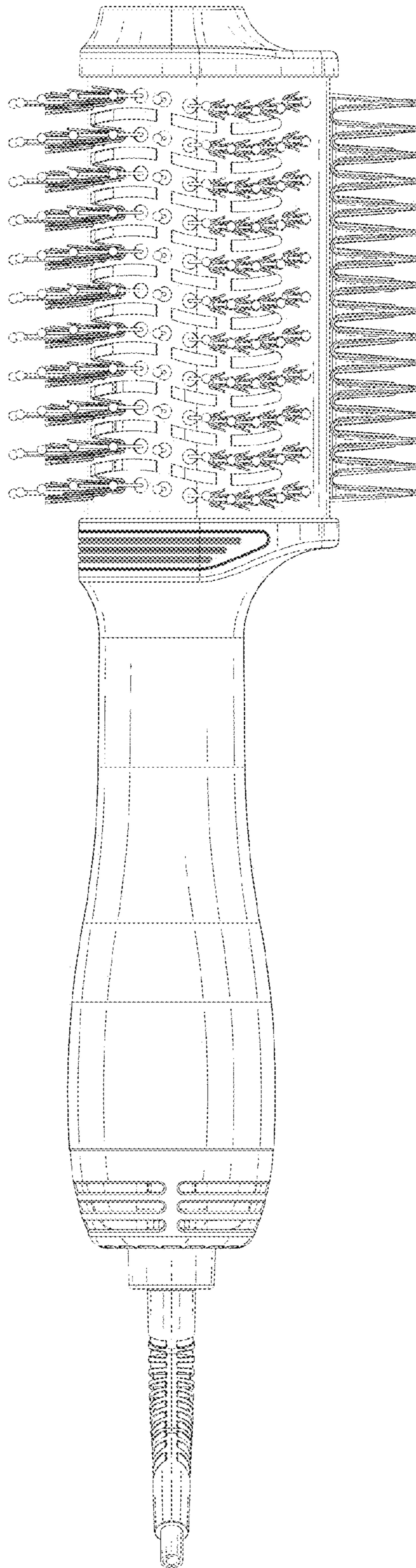


FIG. 3

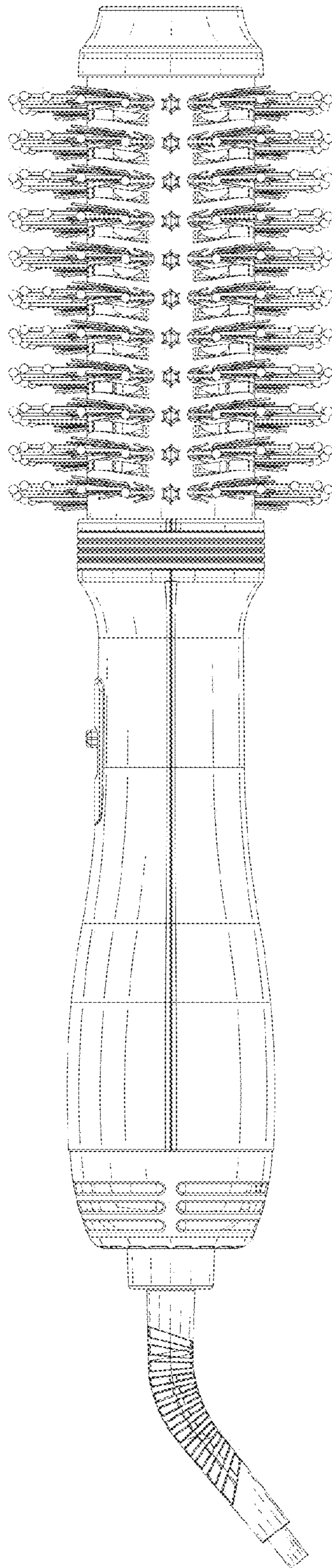


FIG. 4

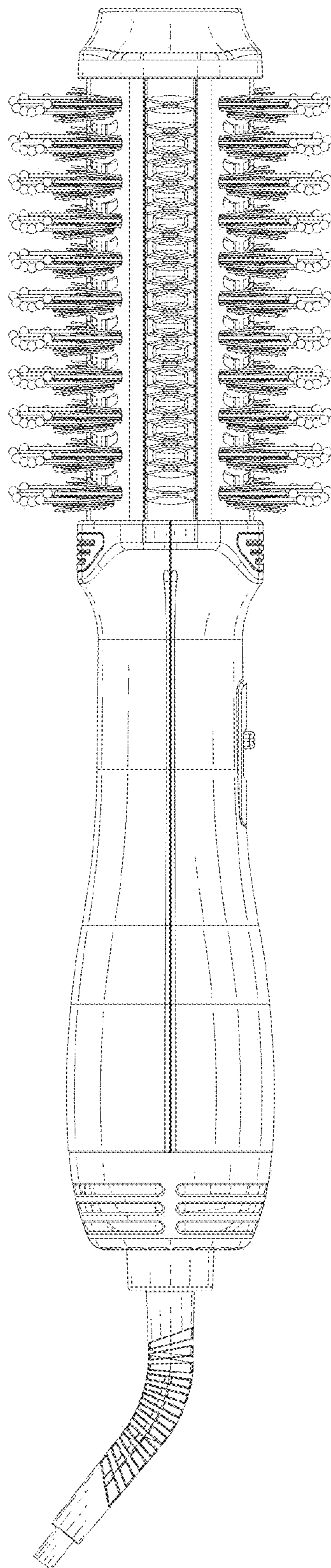


FIG. 5

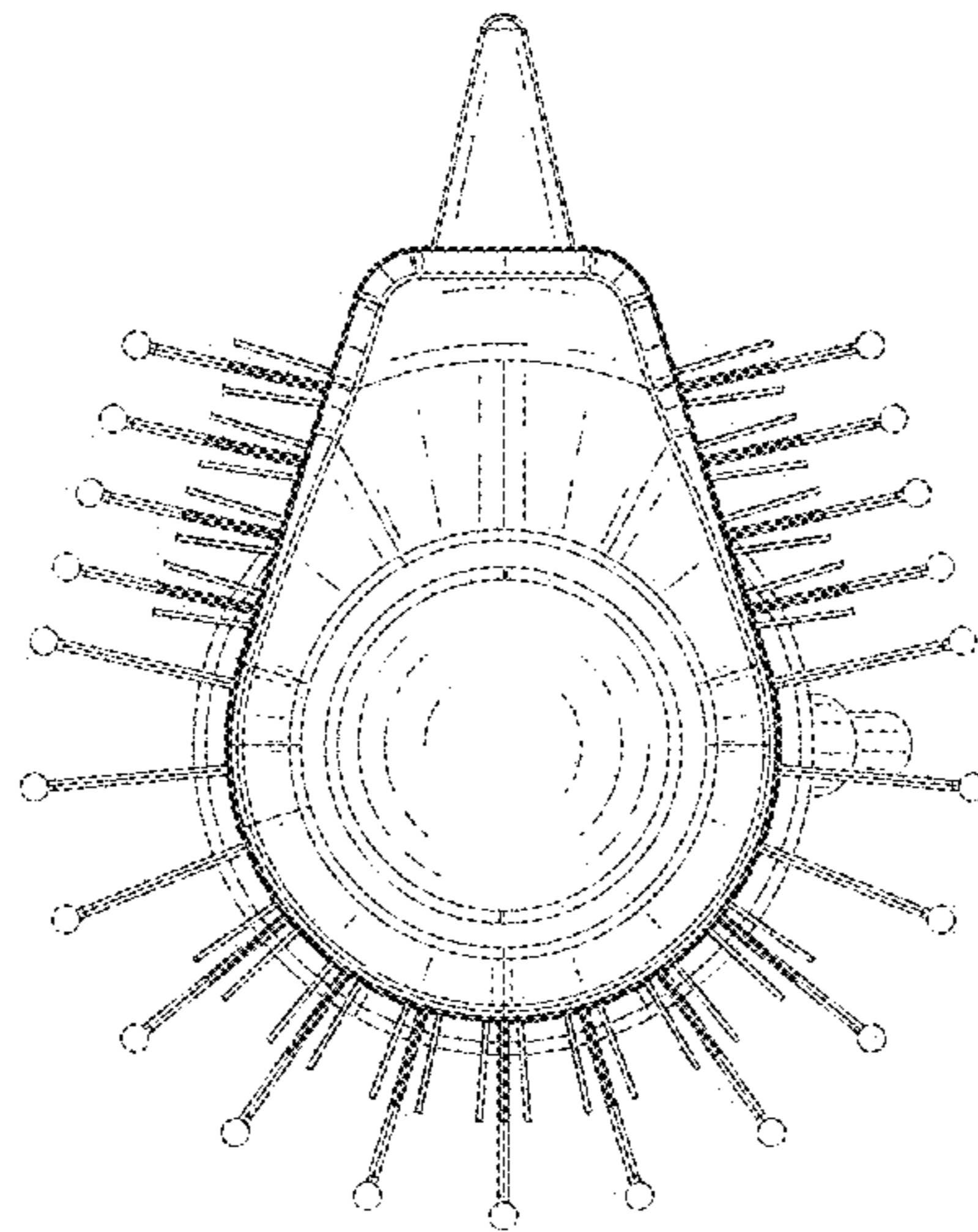


FIG. 6

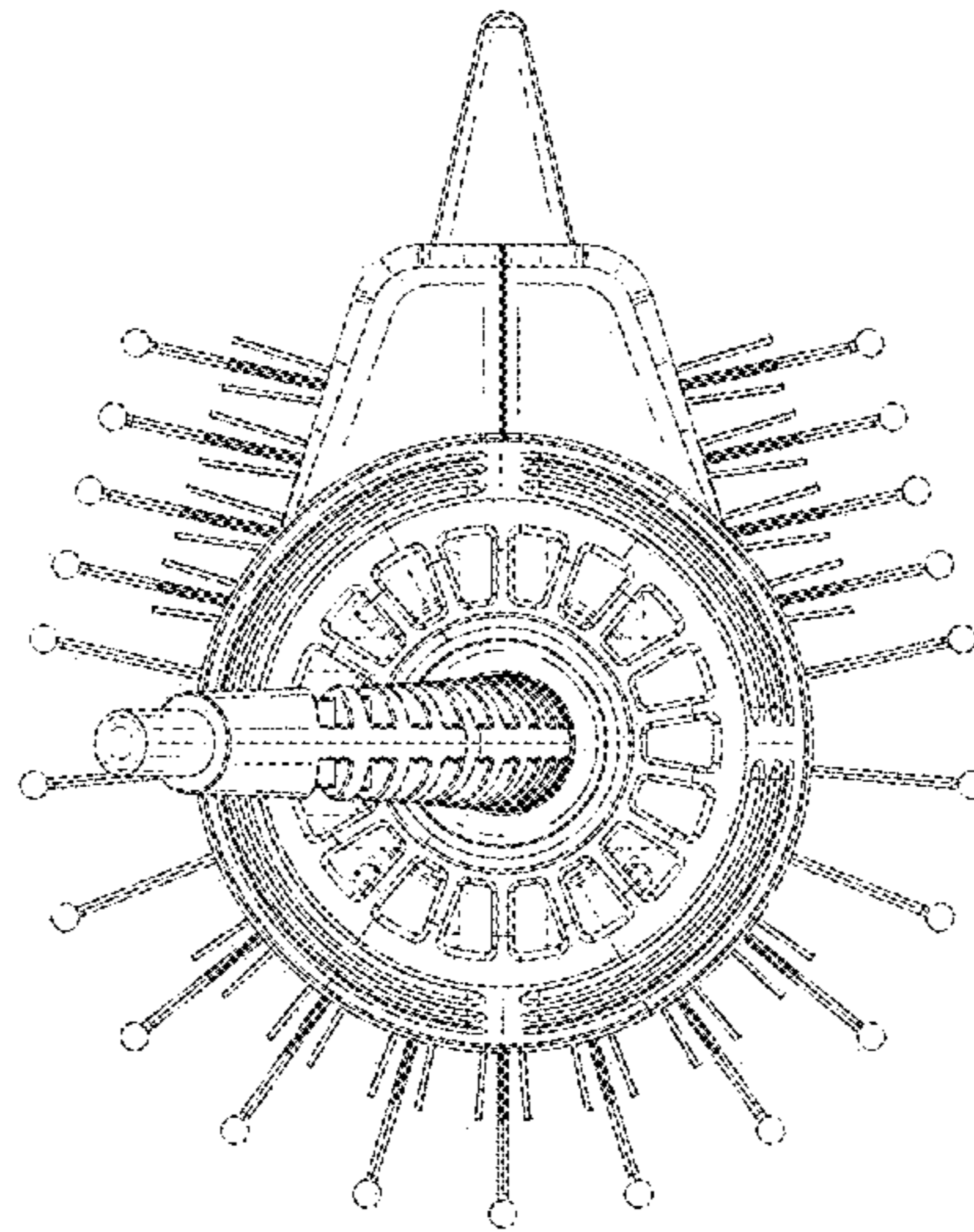


FIG. 7