



US00D980523S

(12) **United States Design Patent**
Xiao

(10) **Patent No.:** **US D980,523 S**

(45) **Date of Patent:** **** Mar. 7, 2023**

(54) **HAIR STRAIGHTENER**

(71) Applicant: **Zhuqing Xiao**, Hengyang (CN)

(72) Inventor: **Zhuqing Xiao**, Hengyang (CN)

(**) Term: **15 Years**

(21) Appl. No.: **29/790,791**

(22) Filed: **Dec. 15, 2021**

(51) **LOC (14) Cl.** **28-03**

(52) **U.S. Cl.**
USPC **D28/35; D4/100**

(58) **Field of Classification Search**
USPC D4/100, 127, 128, 130, 132, 133, 134,
D4/135, 136, 137, 138, 199; D28/10, 13,
D28/25, 28, 35, 24
CPC A45D 20/00; A45D 20/08; A45D 20/50;
A45D 20/52
See application file for complete search history.

(56) **References Cited**

U.S. PATENT DOCUMENTS

5,297,882	A	*	3/1994	Kornides	A46B 11/0041	401/277
D366,567	S	*	1/1996	Gertsma	D4/133	
D388,538	S	*	12/1997	Kip	D28/18	
D401,381	S	*	11/1998	Seifert	D28/28	
D401,382	S	*	11/1998	Seifert	D28/35	
D457,730	S	*	5/2002	McCurrach	D4/133	
D505,265	S	*	5/2005	Lee	D4/114	
9,808,065	B2	*	11/2017	Moloney	A45D 20/50	
D850,716	S	*	6/2019	Jin	D28/13	
D902,482	S	*	11/2020	Koenemann	D28/35	
D934,497	S	*	10/2021	Hillebrecht	D28/35	
D942,757	S	*	2/2022	Zhang	D28/35	
D946,899	S	*	3/2022	Yang	D4/100	

D957,055	S	*	7/2022	Zheng	D28/35
D959,839	S	*	8/2022	Hu	D4/100
D965,877	S	*	10/2022	Luo	D28/35

FOREIGN PATENT DOCUMENTS

CN	306981453	*	12/2021
EM	008799274-0001	*	12/2021

* cited by examiner

Primary Examiner — Karen E Eldridge Powers

(74) *Attorney, Agent, or Firm* — Rumit Ranjit Kanakia

(57) **CLAIM**

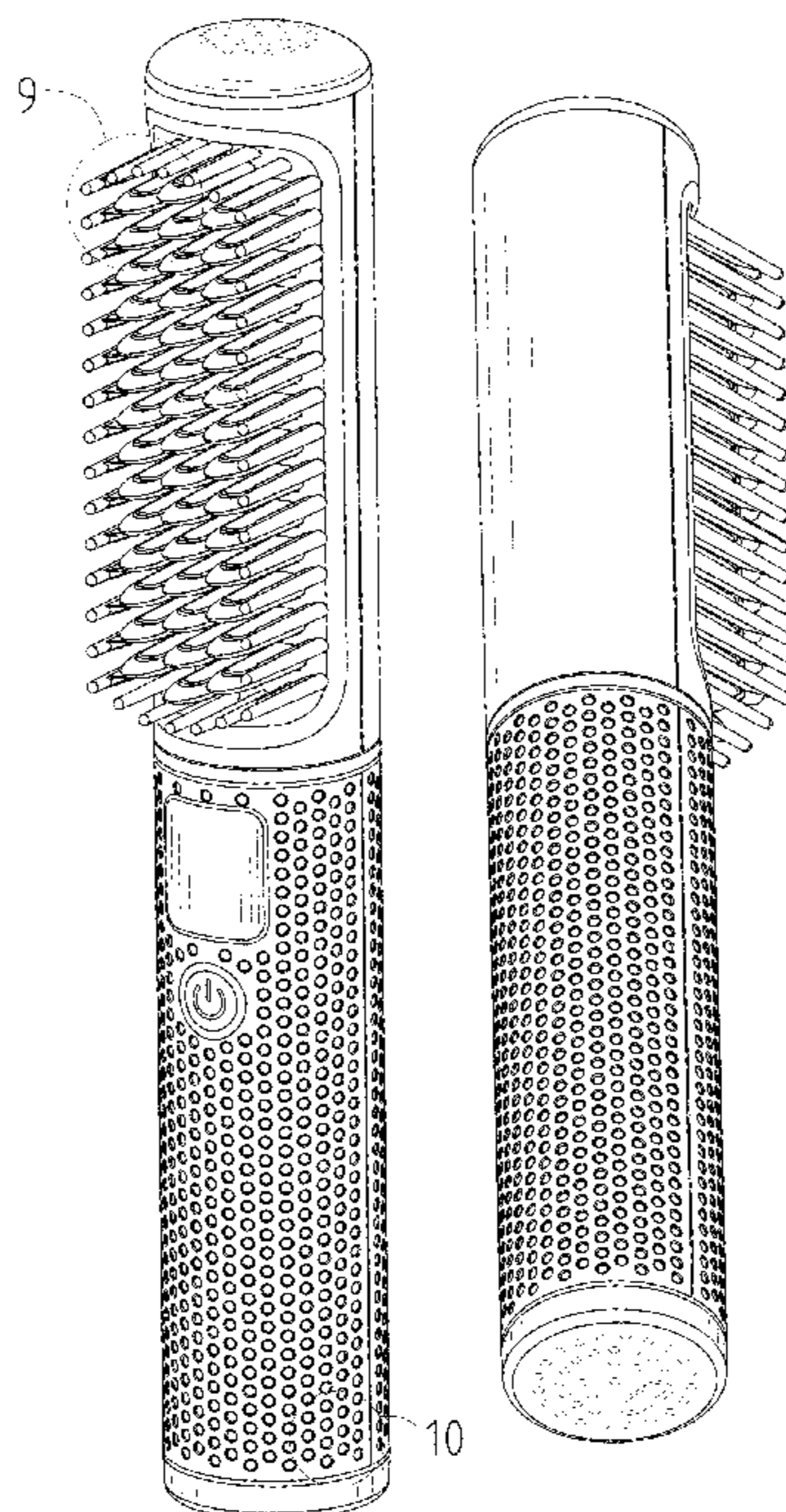
The ornamental design for a hair straightener, as shown and described.

DESCRIPTION

FIG. 1 is a top, front and right side perspective view of a hair straightener showing my new design;
 FIG. 2 is a bottom, rear and left side perspective view thereof;
 FIG. 3 is a front elevational view thereof;
 FIG. 4 is a back elevational view thereof;
 FIG. 5 is a left side elevational view thereof;
 FIG. 6 is a right side elevational view thereof;
 FIG. 7 is a top plan view thereof;
 FIG. 8 is a bottom plan view thereof;
 FIG. 9 is an enlarged view of the selected portion in FIG. 1;
 and,
 FIG. 10 is an enlarged view of the selected portion in FIG. 1.

The broken lines shown in the drawings depict portions of the hair straightener in which the design is embodied that form no part of the claimed design.

1 Claim, 10 Drawing Sheets



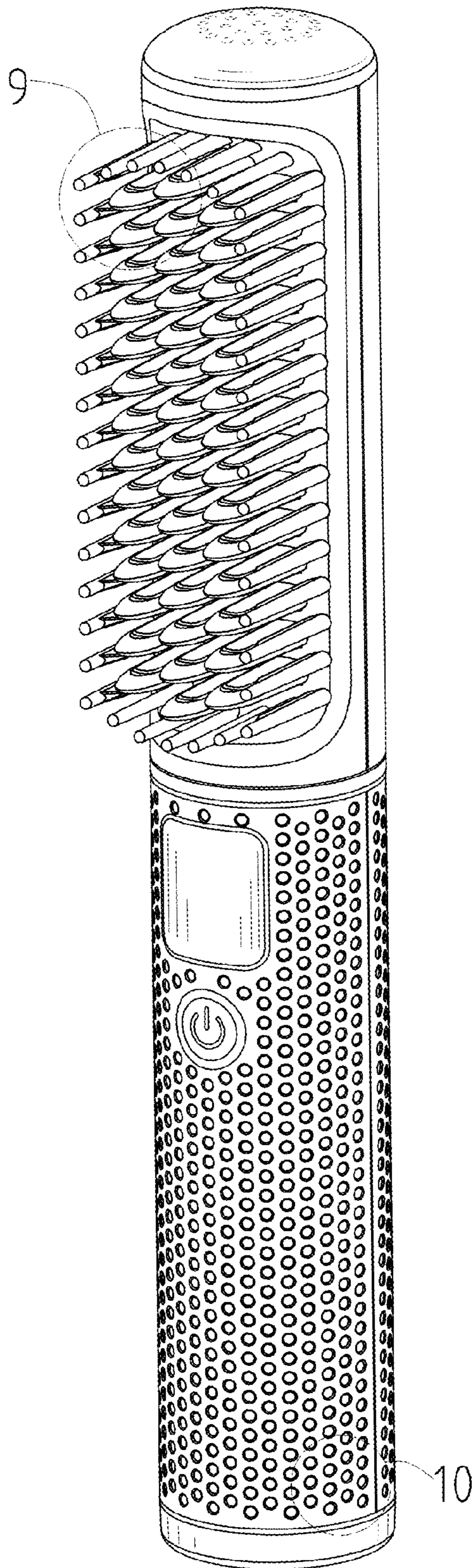


FIG. 1

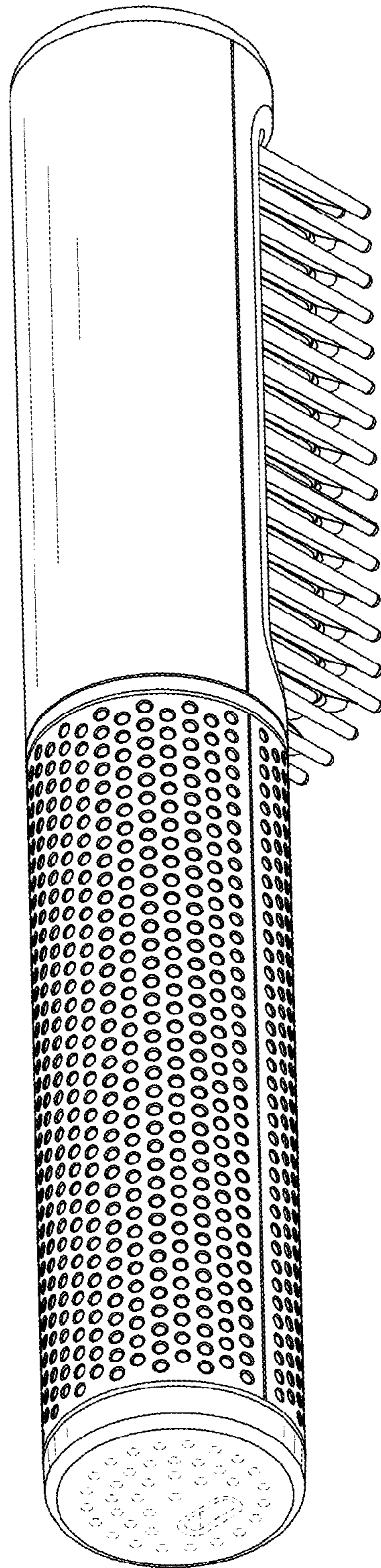


FIG. 2

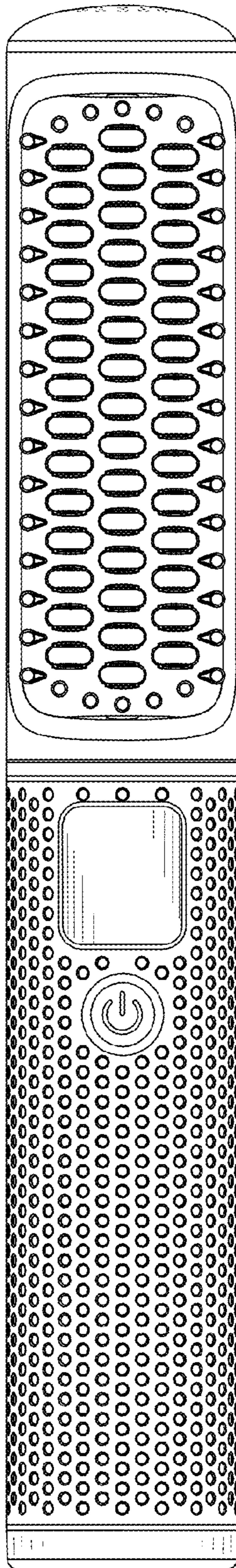


FIG. 3

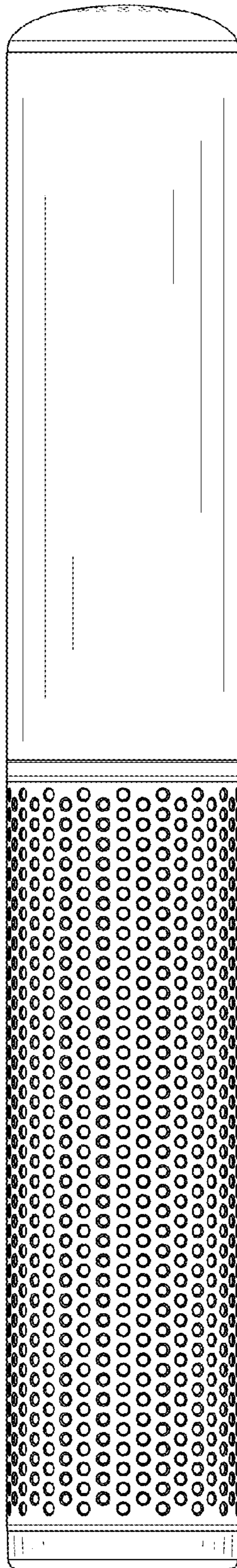


FIG. 4

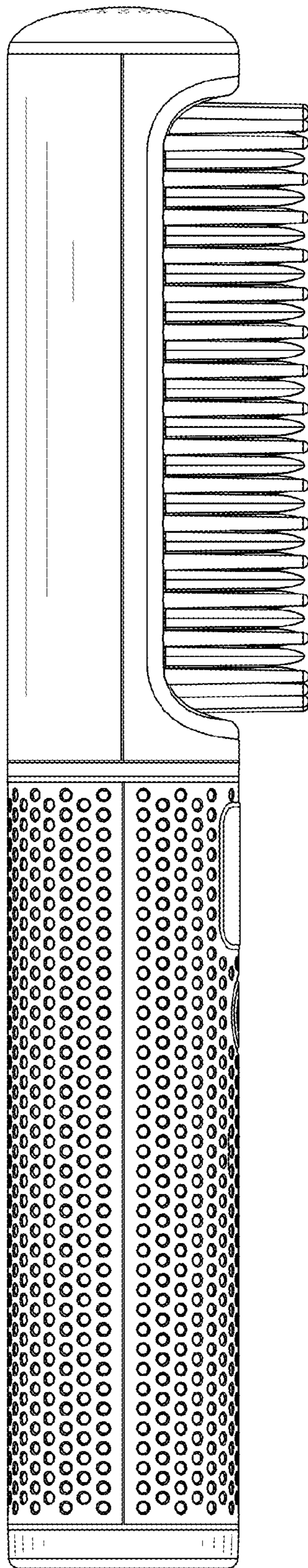


FIG. 5

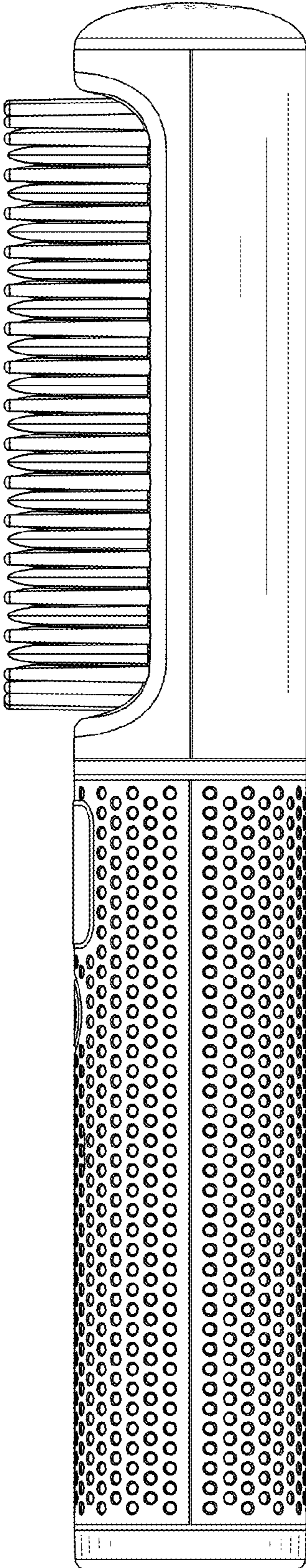


FIG. 6

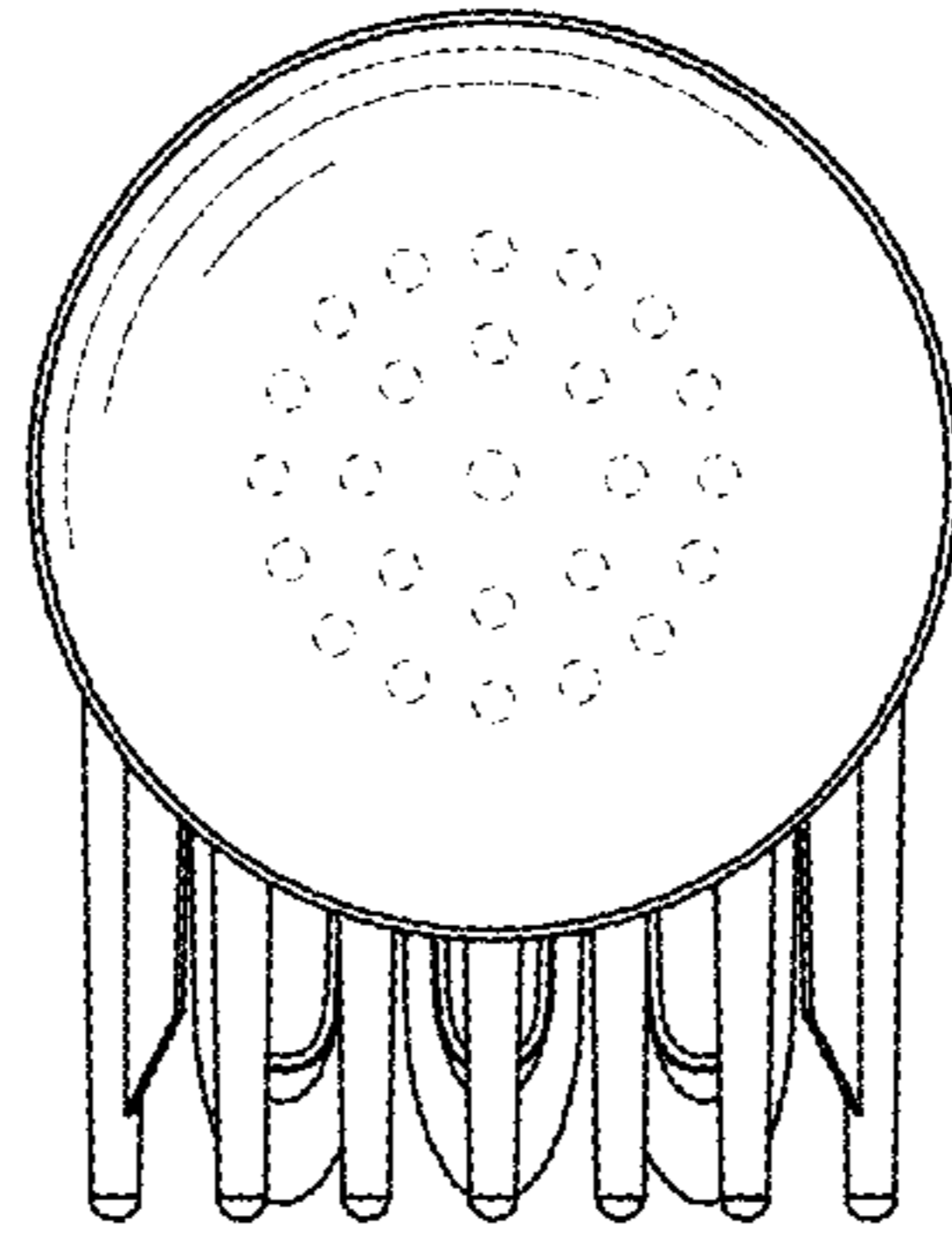


FIG. 7

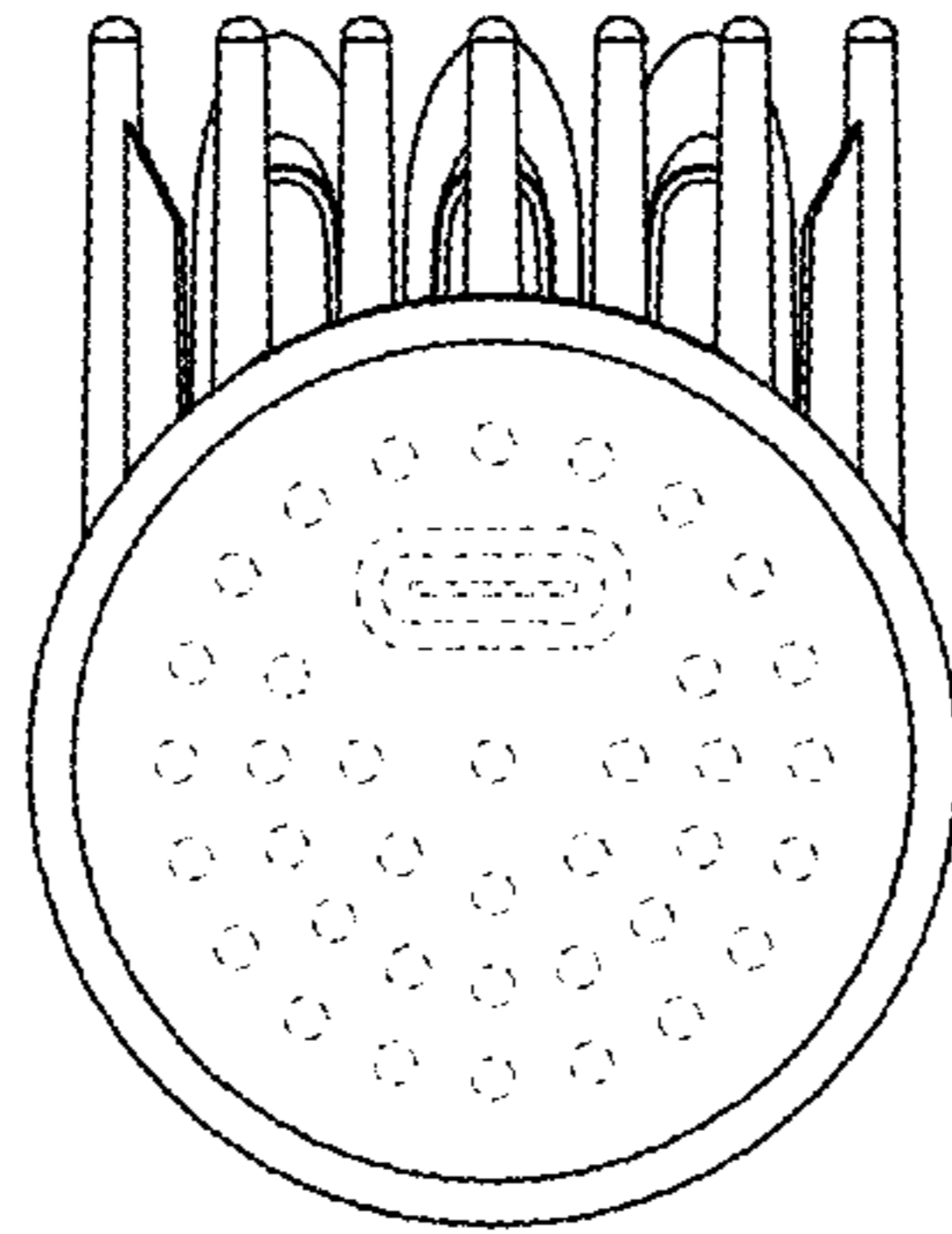


FIG. 8

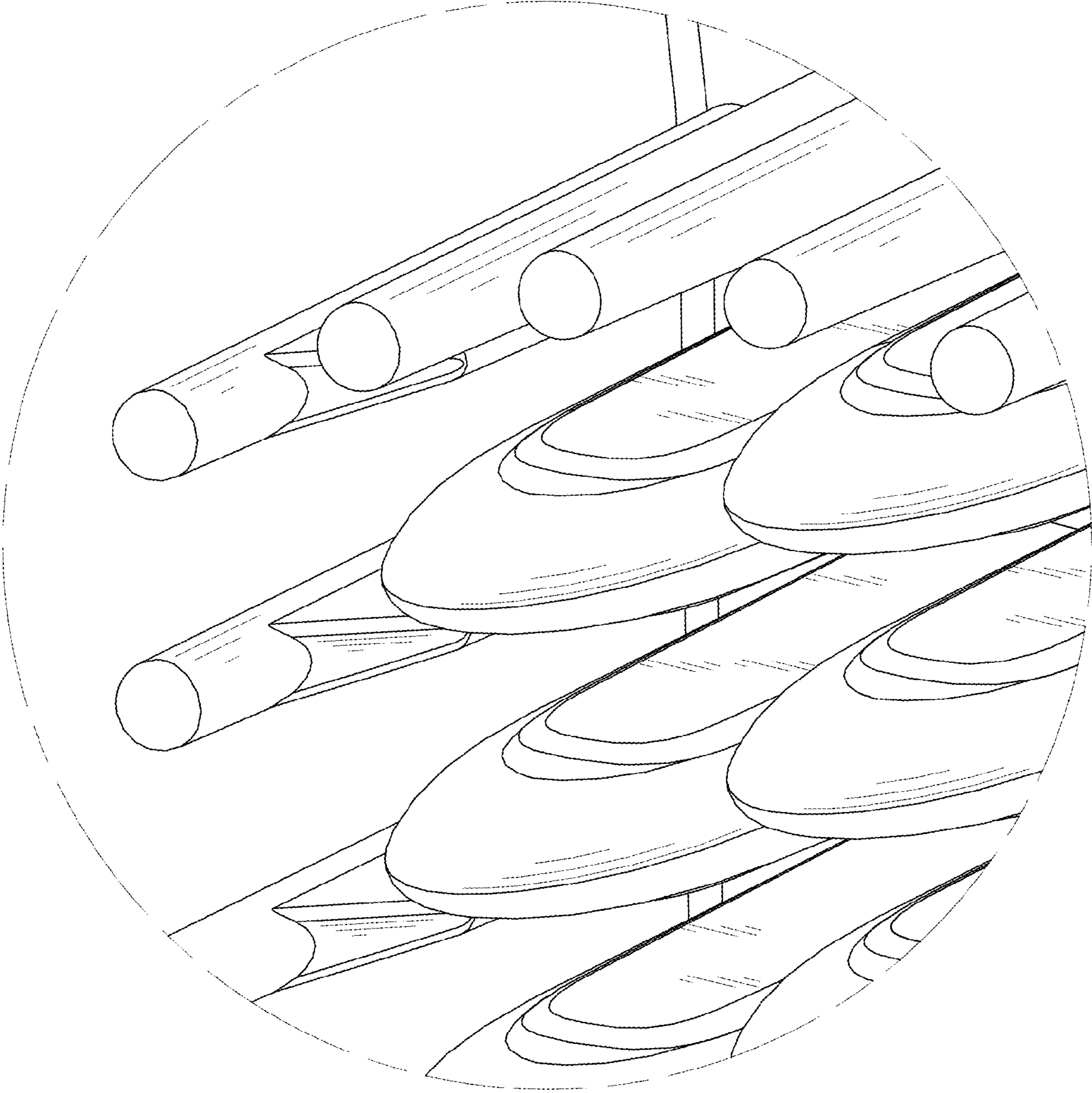


FIG. 9

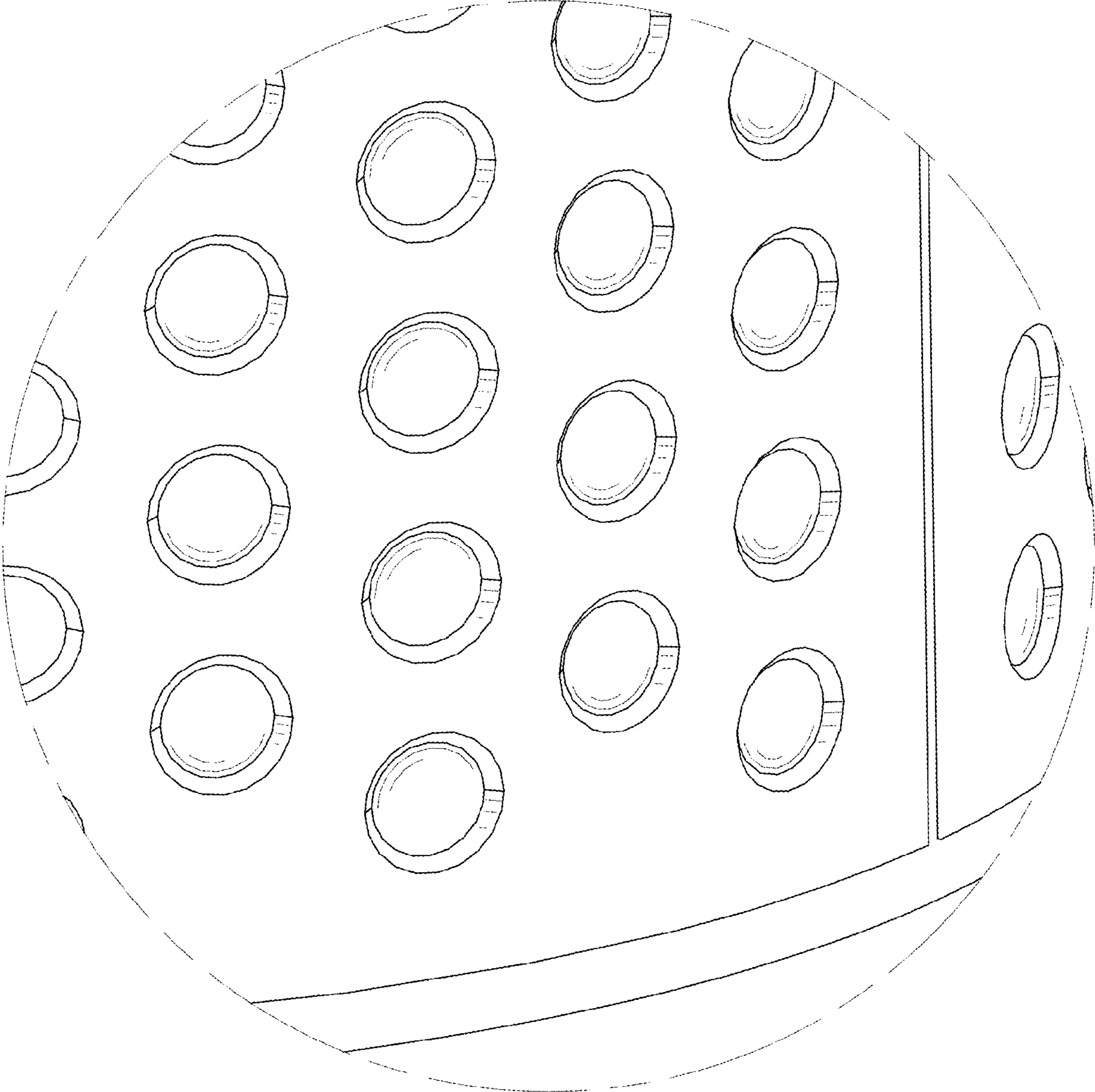


FIG. 10