



US00D980522S

(12) **United States Design Patent** (10) **Patent No.:** **US D980,522 S**
Sommer et al. (45) **Date of Patent:** **** Mar. 7, 2023**

(54) **COMB**

(71) Applicant: **Goody Products, Inc.**, Atlanta, GA (US)

(72) Inventors: **Henry David Sommer**, Lawrenceville, GA (US); **Melissa Russo**, Commack, NY (US)

(73) Assignee: **Goody Products, Inc.**, Atlanta, GA (US)

(**) Term: **15 Years**

(21) Appl. No.: **29/843,303**

(22) Filed: **Jun. 20, 2022**

Related U.S. Application Data

(62) Division of application No. 29/752,632, filed on Sep. 28, 2020, now Pat. No. Des. 962,539.

(51) **LOC (14) Cl.** **28-03**

(52) **U.S. Cl.**
USPC **D28/30**

(58) **Field of Classification Search**
USPC D28/7, 20-34; D30/158, 159
CPC A45D 24/00; A45D 24/005; A45D 24/02;
A45D 24/04; A45D 24/06; A45D 24/14;
A45D 24/22

See application file for complete search history.

(56) **References Cited**

U.S. PATENT DOCUMENTS

D284,412 S *	6/1986	O'Connor	D28/25
D311,602 S *	10/1990	Battaglia	D28/30
D315,428 S *	3/1991	Davies	D28/30
D334,996 S *	4/1993	Ward	D30/159
D351,928 S *	10/1994	Ward	D28/30
D596,352 S *	7/2009	Germano-Cataldo	D28/31
D962,539 S *	8/2022	Sommer	D28/30

* cited by examiner

Primary Examiner — Zenia I Bennett

(74) *Attorney, Agent, or Firm* — Gloria Tsui-Yip; Gottlieb, Rackman & Reisman, P.C.

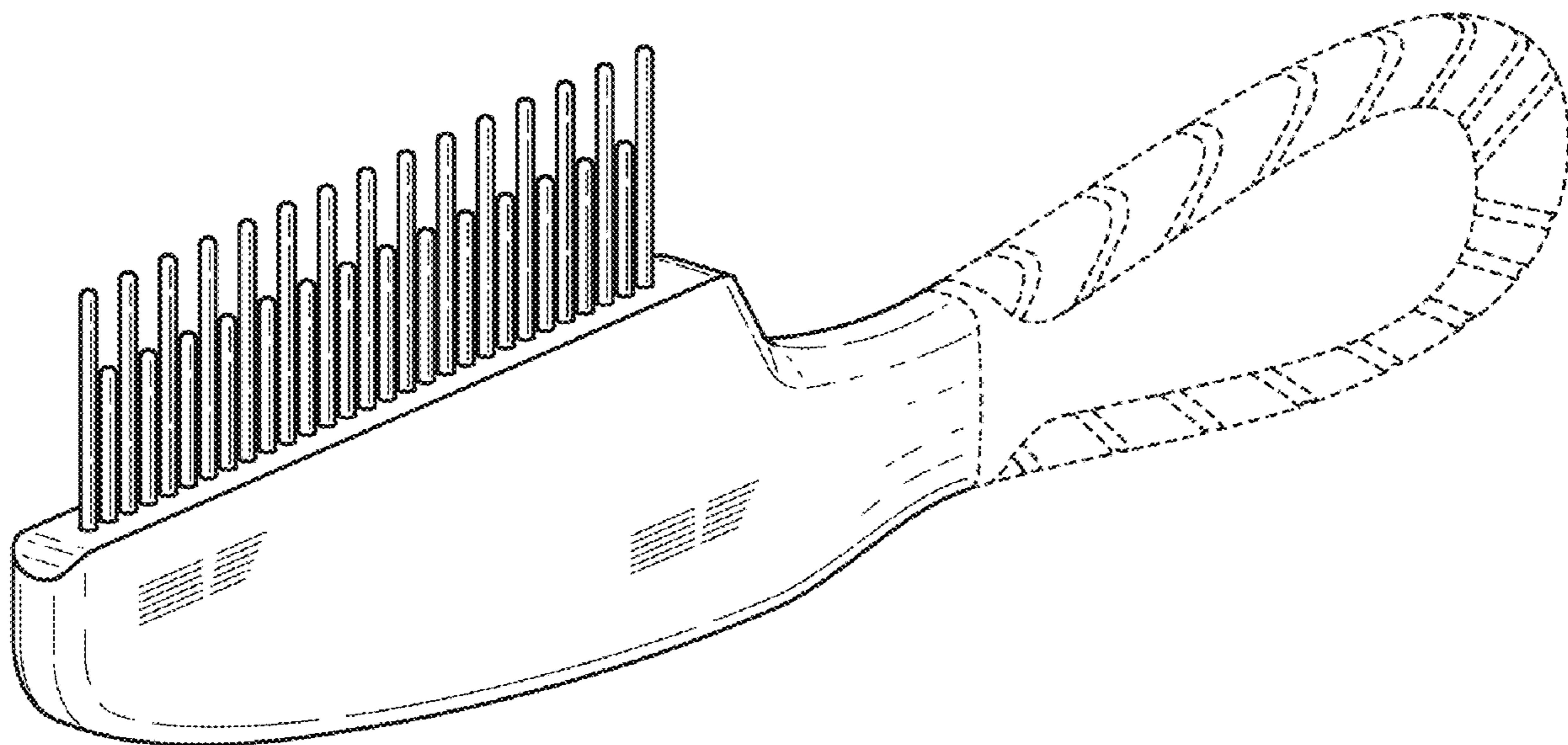
(57) **CLAIM**

The ornamental design for a comb, as shown and described.

DESCRIPTION

FIG. 1 is a perspective view of a comb of my new design; FIG. 2 is a left side elevational view thereof; FIG. 3 is a top plan view thereof; FIG. 4 is a right side elevational view thereof; FIG. 5 is a bottom plan view thereof; FIG. 6 is a front elevational view thereof; and, FIG. 7 is a rear elevational view thereof. The broken lines in the drawings depict portions of the comb that form no part of the claimed design.

1 Claim, 4 Drawing Sheets



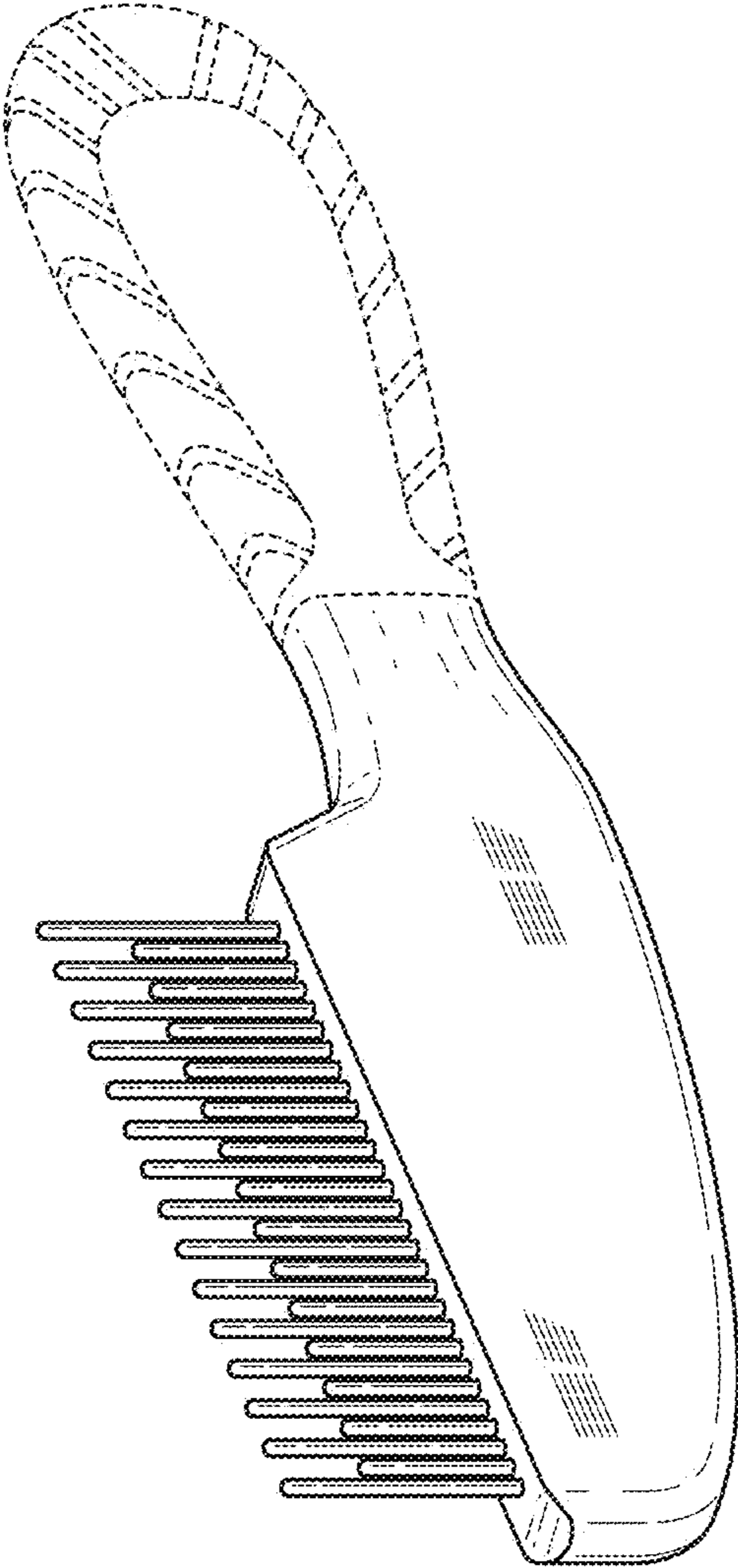


FIG. 1

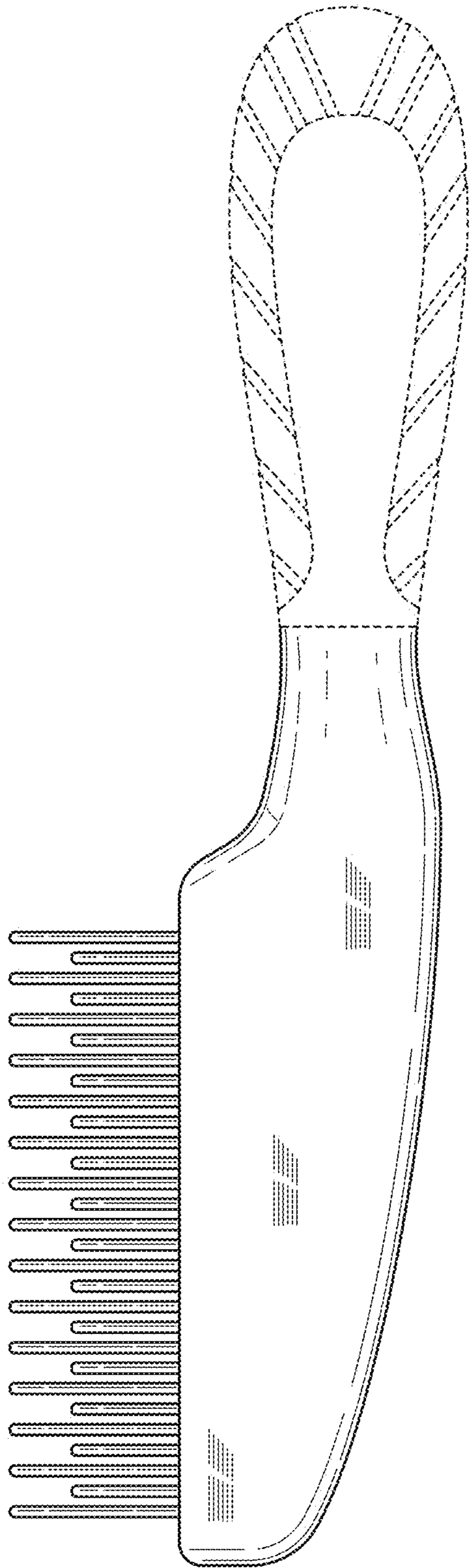


FIG. 2

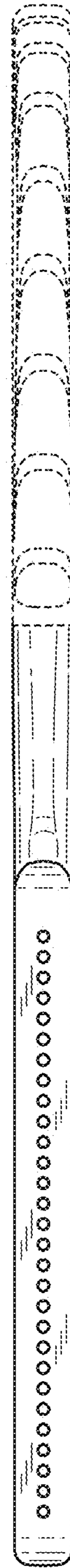


FIG. 3

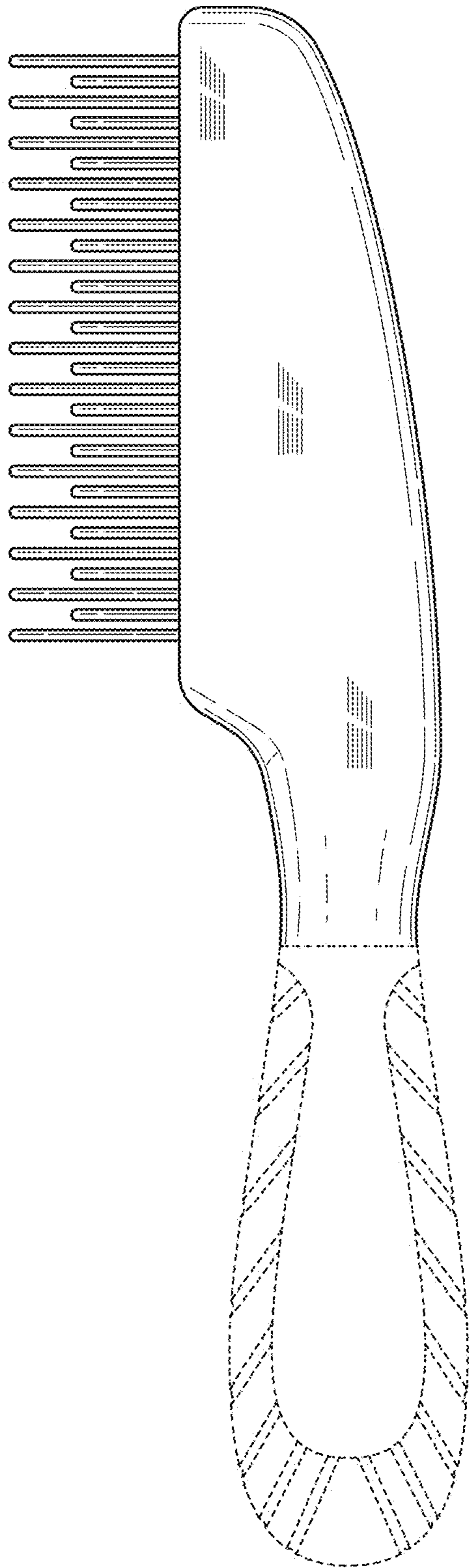


FIG. 4



FIG. 5



FIG. 6

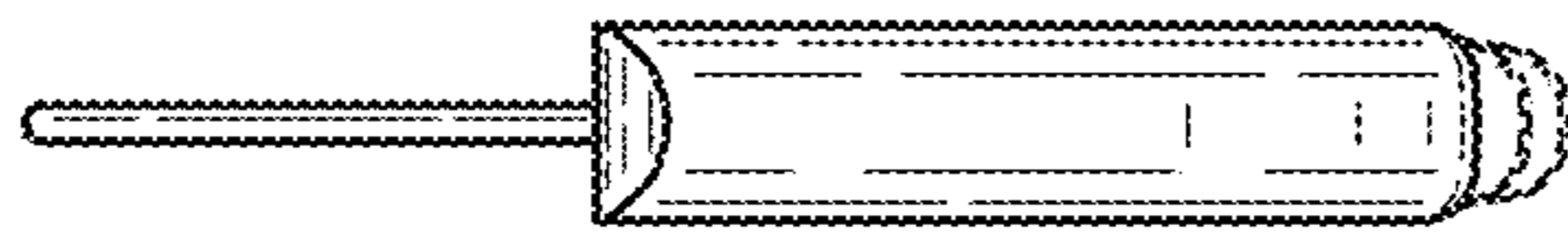


FIG. 7