



US00D980516S

(12) **United States Design Patent**
Slate et al.

(10) **Patent No.:** **US D980,516 S**
(45) **Date of Patent:** **** Mar. 7, 2023**

(54) **HUMIDOR**

(71) Applicants: **Michael Slate**, Indianapolis, IN (US);
Ian Winston Scott Bennett,
Indianapolis, IN (US)

(72) Inventors: **Michael Slate**, Indianapolis, IN (US);
Ian Winston Scott Bennett,
Indianapolis, IN (US)

(**) Term: **15 Years**

(21) Appl. No.: **29/795,657**

(22) Filed: **Jun. 19, 2021**

(51) **LOC (14) Cl.** **27-06**

(52) **U.S. Cl.**
USPC **D27/189**

(58) **Field of Classification Search**
USPC D27/190, 186-189, 183, 172; D3/201,
D3/203.1, 205, 211, 232, 273, 274, 285,
D3/289, 315
CPC A24F 25/02; A24F 25/00; A45C 11/16
See application file for complete search history.

(56) **References Cited**

U.S. PATENT DOCUMENTS

D374,946 S *	10/1996	Meurlin	D27/189
5,607,051 A *	3/1997	Espinosa	B65D 85/12 206/256
D398,715 S *	9/1998	Descalzo	D27/189
D399,598 S *	10/1998	Perkins	D27/189
5,970,987 A *	10/1999	Barreiro, Jr.	A24F 25/02 312/31
D416,105 S *	11/1999	Garrison	D27/189
D734,535 S *	7/2015	Dyer	D27/189
D756,032 S *	5/2016	Chen	D27/189
D815,343 S *	4/2018	Kesselman	D27/187
D910,912 S *	2/2021	Slate	D27/189
D943,823 S *	2/2022	Yang	D27/189

D950,843 S *	5/2022	Maceda	D27/186
D966,605 S *	10/2022	Yang	D27/189
D967,518 S *	10/2022	Damti	D27/172
2020/0037661 A1 *	2/2020	Slate	A24F 25/02

OTHER PUBLICATIONS

Cigar Humidor By: CIGARMALL found on Amazon (Dec. 31, 2022) www.amazon.com/CIGARMALL-Humidor-Humidifier-Hygrometer-Capacity/dp/B09NSBH1MT/ref=sr_1_54?crd=2WQ6A0FH40OHG&keywords=humidor&qid= (Dec. 18, 2021).*

* cited by examiner

Primary Examiner — Rebecca Tsehaye

(74) *Attorney, Agent, or Firm* — Overhauser Law Offices, LLC

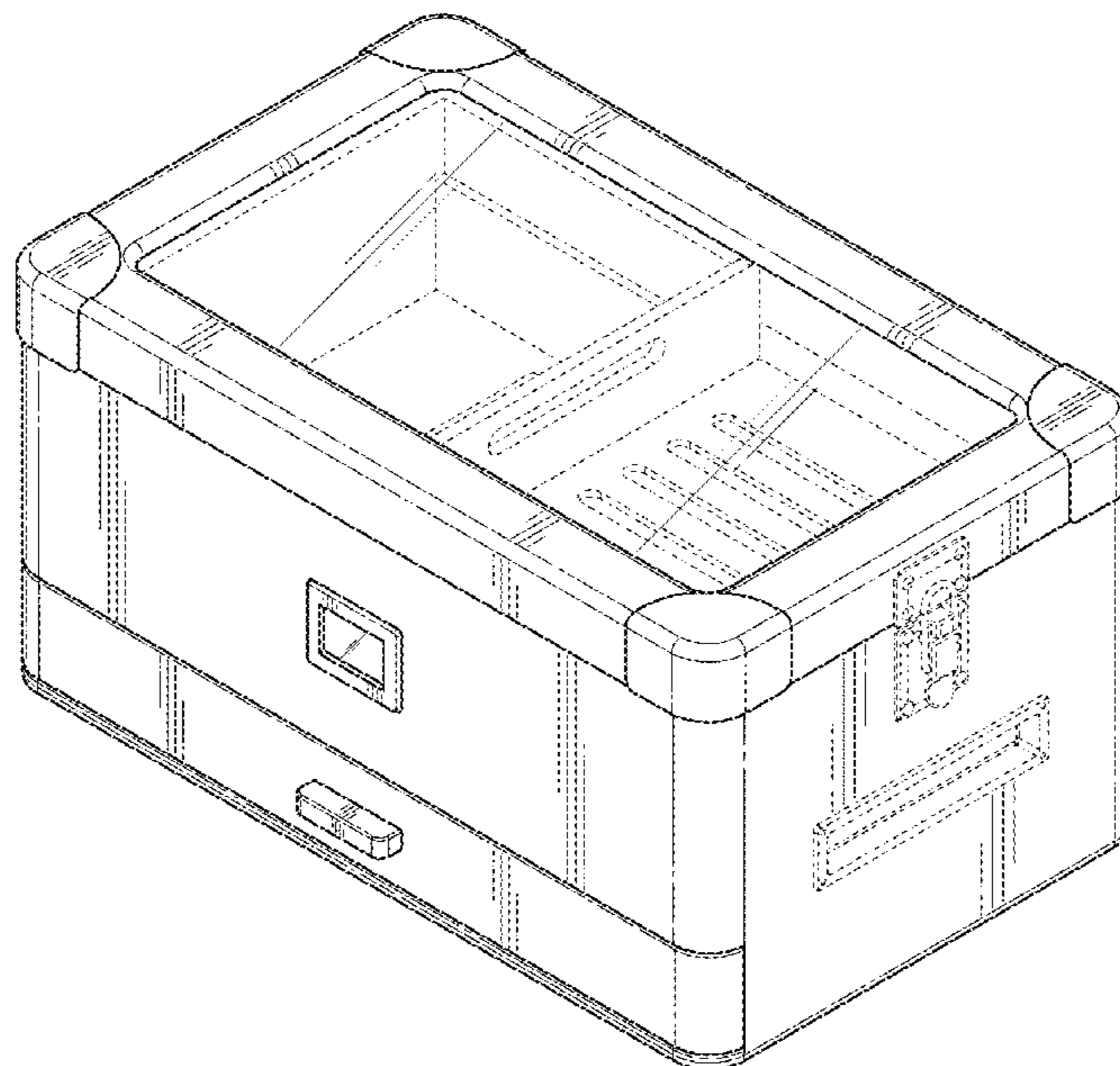
(57) **CLAIM**

The ornamental design for a humidor, as shown and described.

DESCRIPTION

FIG. 1 is a front perspective view of a humidor, illustrating our new design;
FIG. 2 is a front view thereof;
FIG. 3 is a rear view thereof;
FIG. 4 is a left side view thereof;
FIG. 5 is a right side view thereof;
FIG. 6 is a top view thereof;
FIG. 7 is a bottom view thereof; and,
FIG. 8 is a front perspective view of the humidor of FIG. 1 in an opened state.
The broken lines in the drawings depict portions of the humidor that form no part of the claimed design.

1 Claim, 8 Drawing Sheets



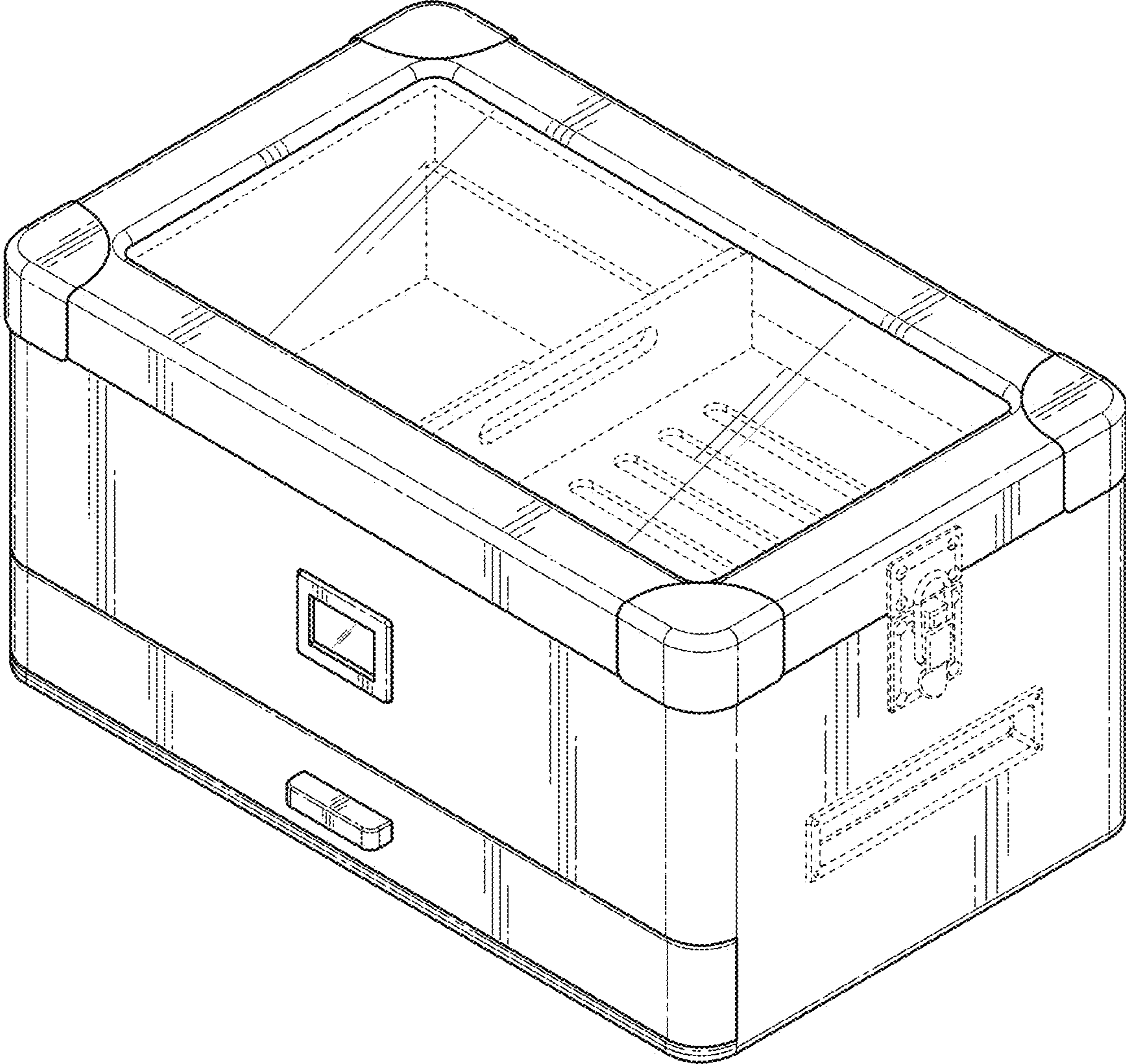


FIG. 1

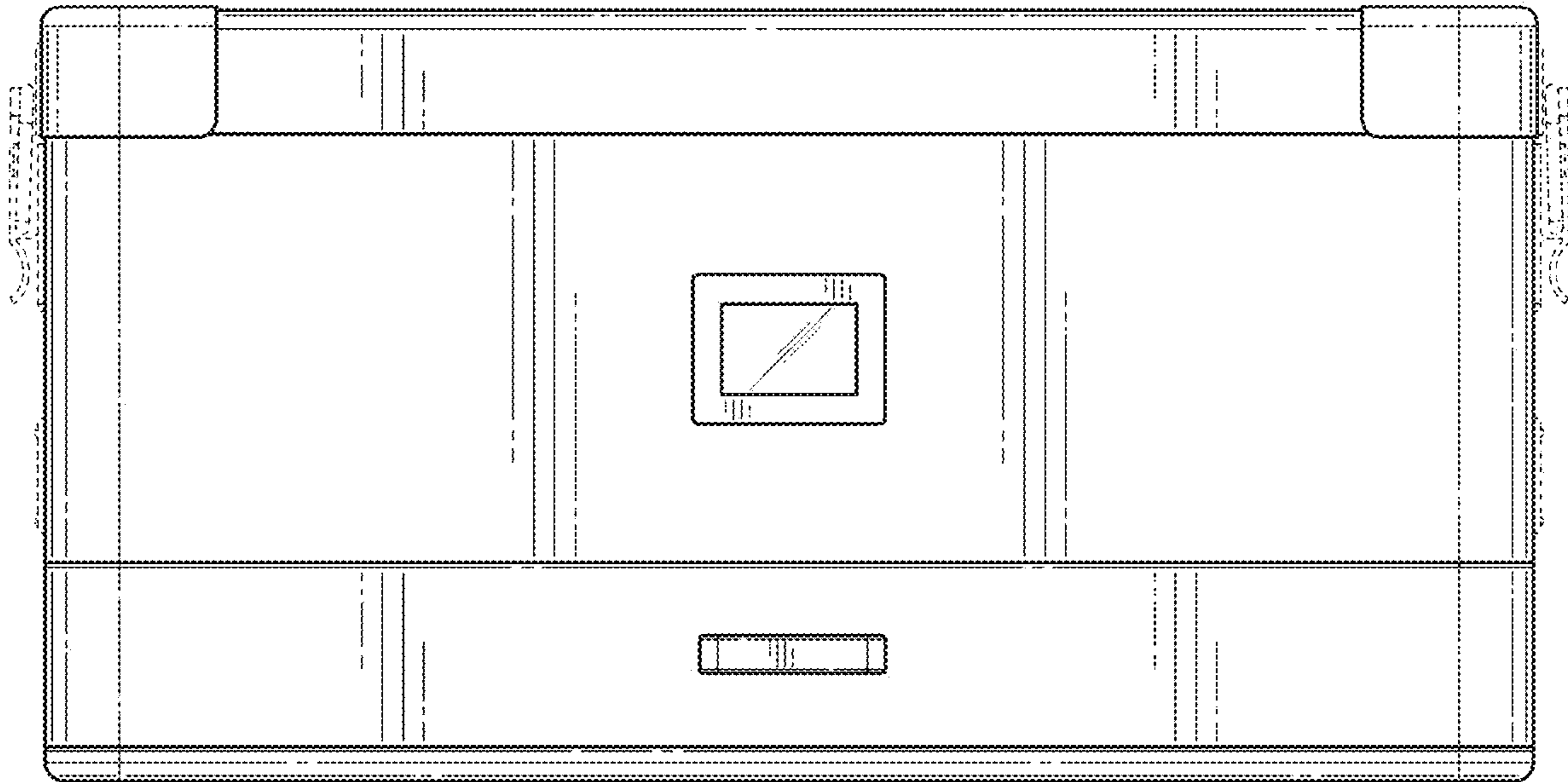


FIG. 2

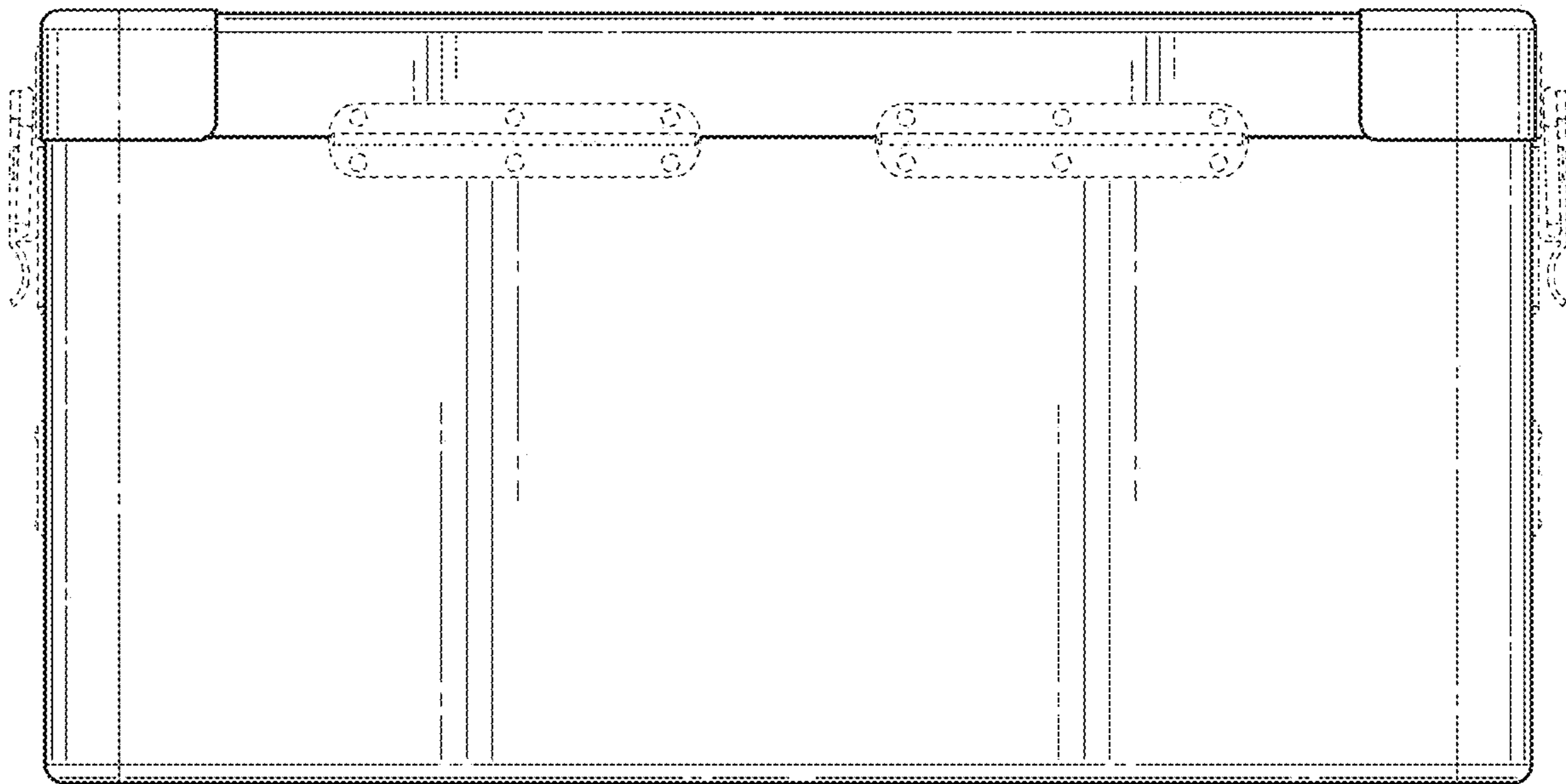


FIG. 3

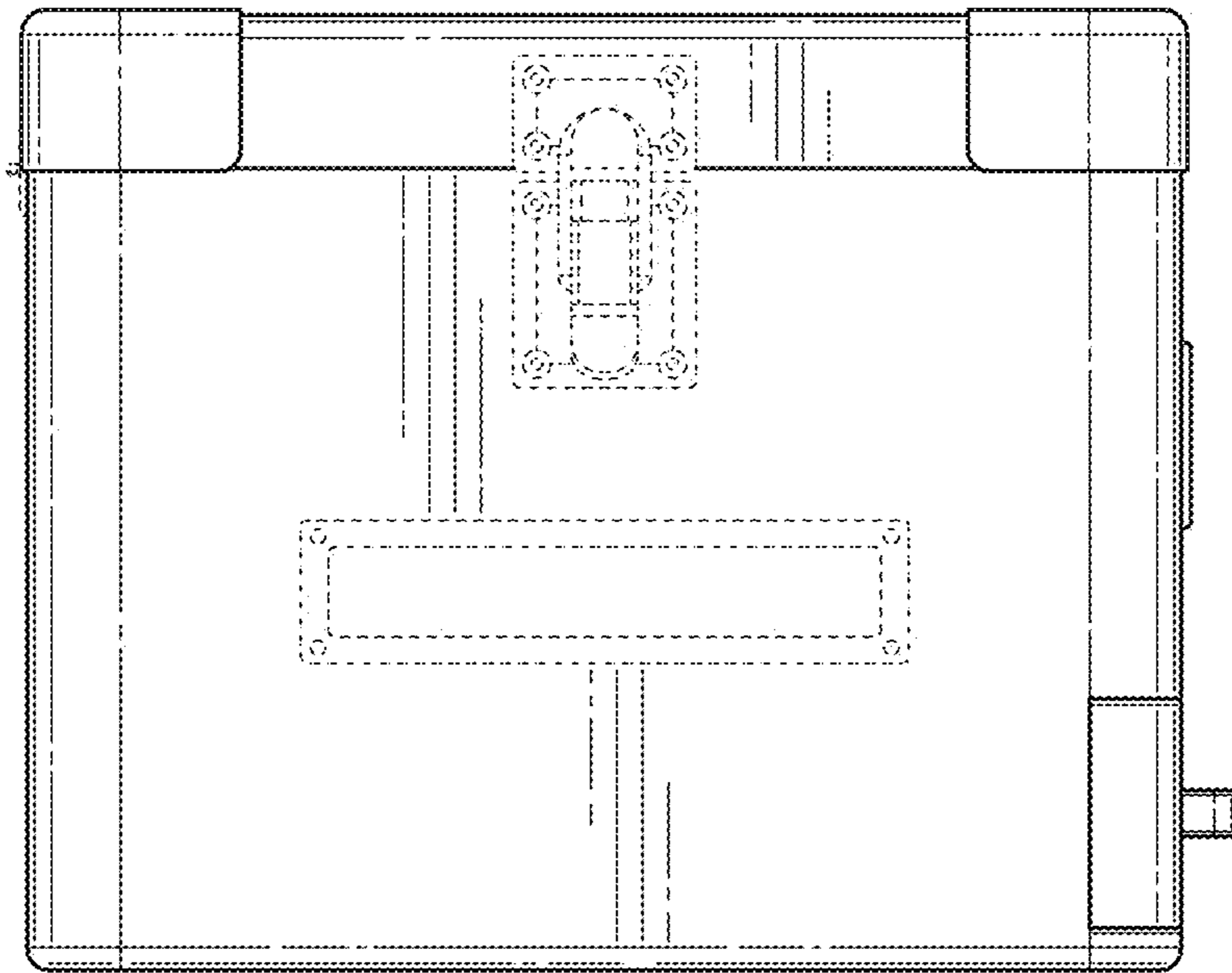


FIG. 4

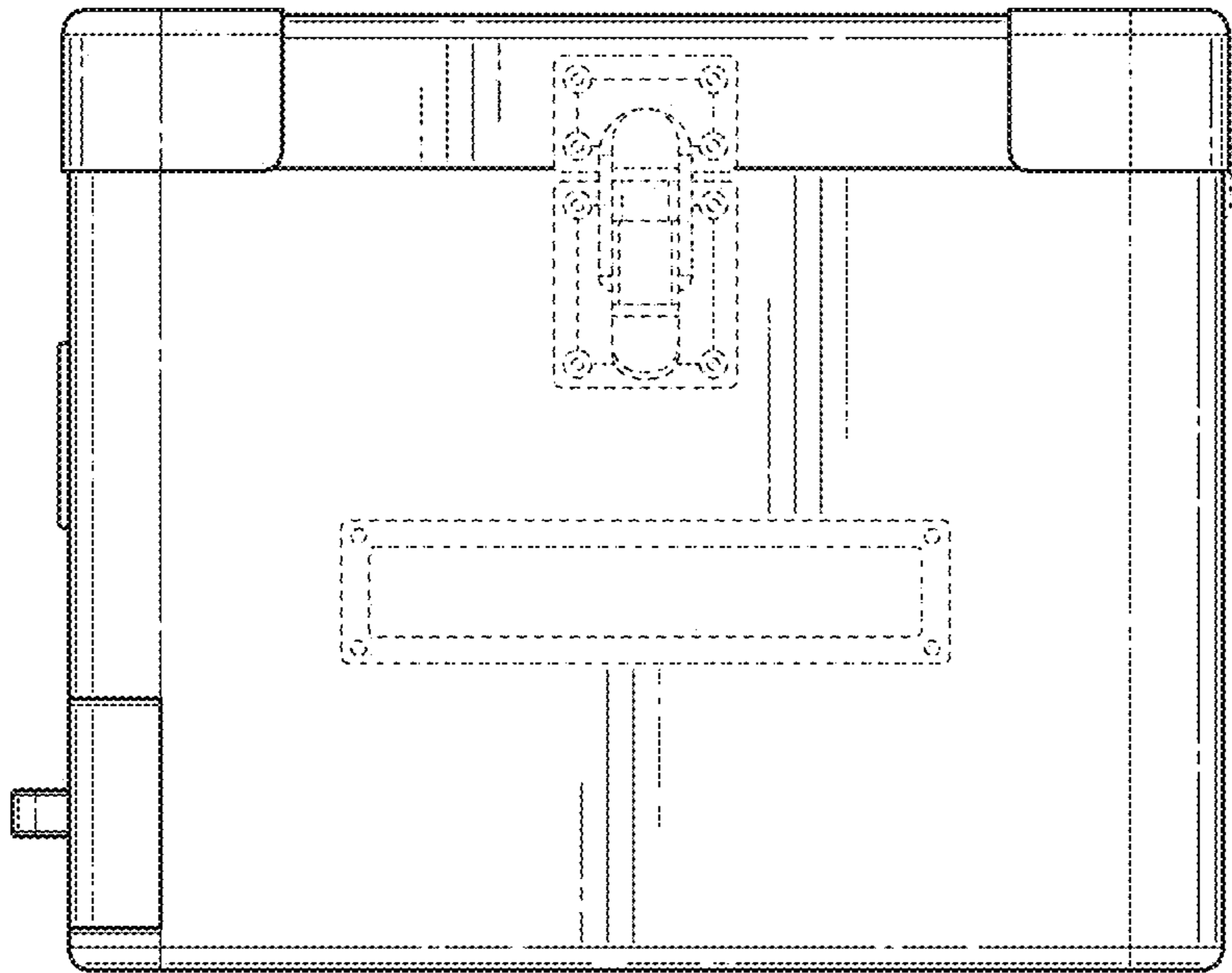


FIG. 5

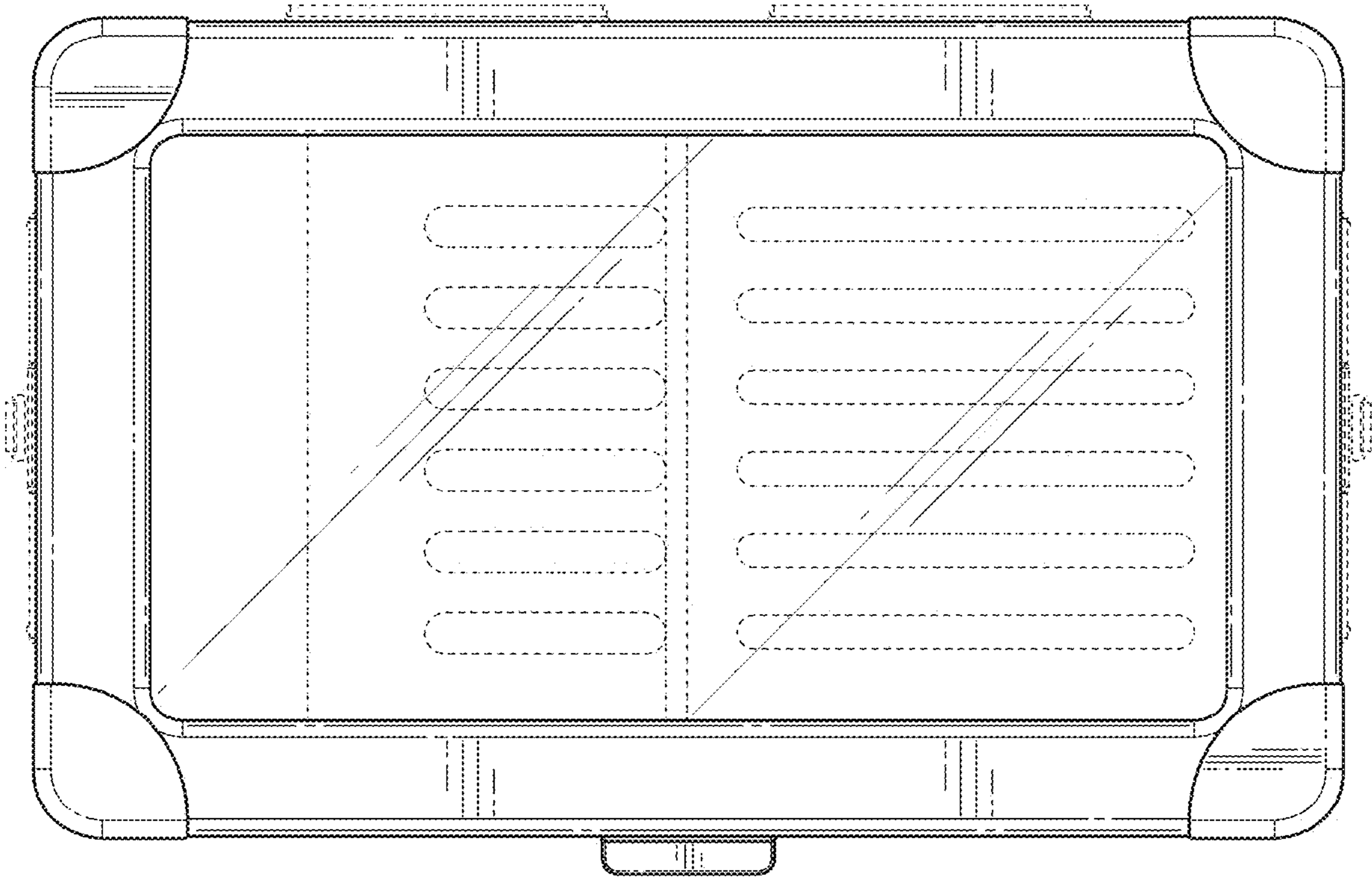


FIG. 6

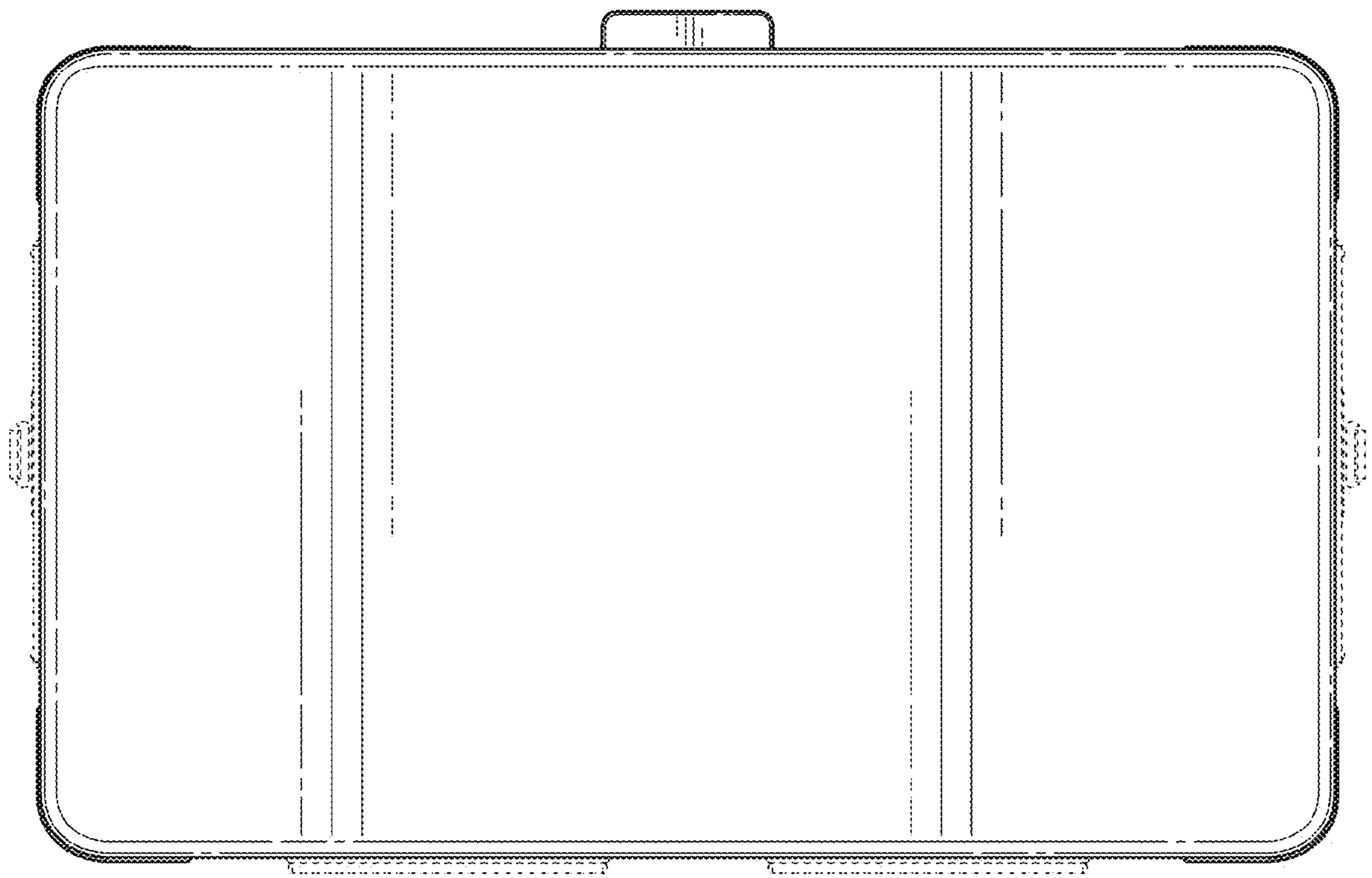


FIG. 7

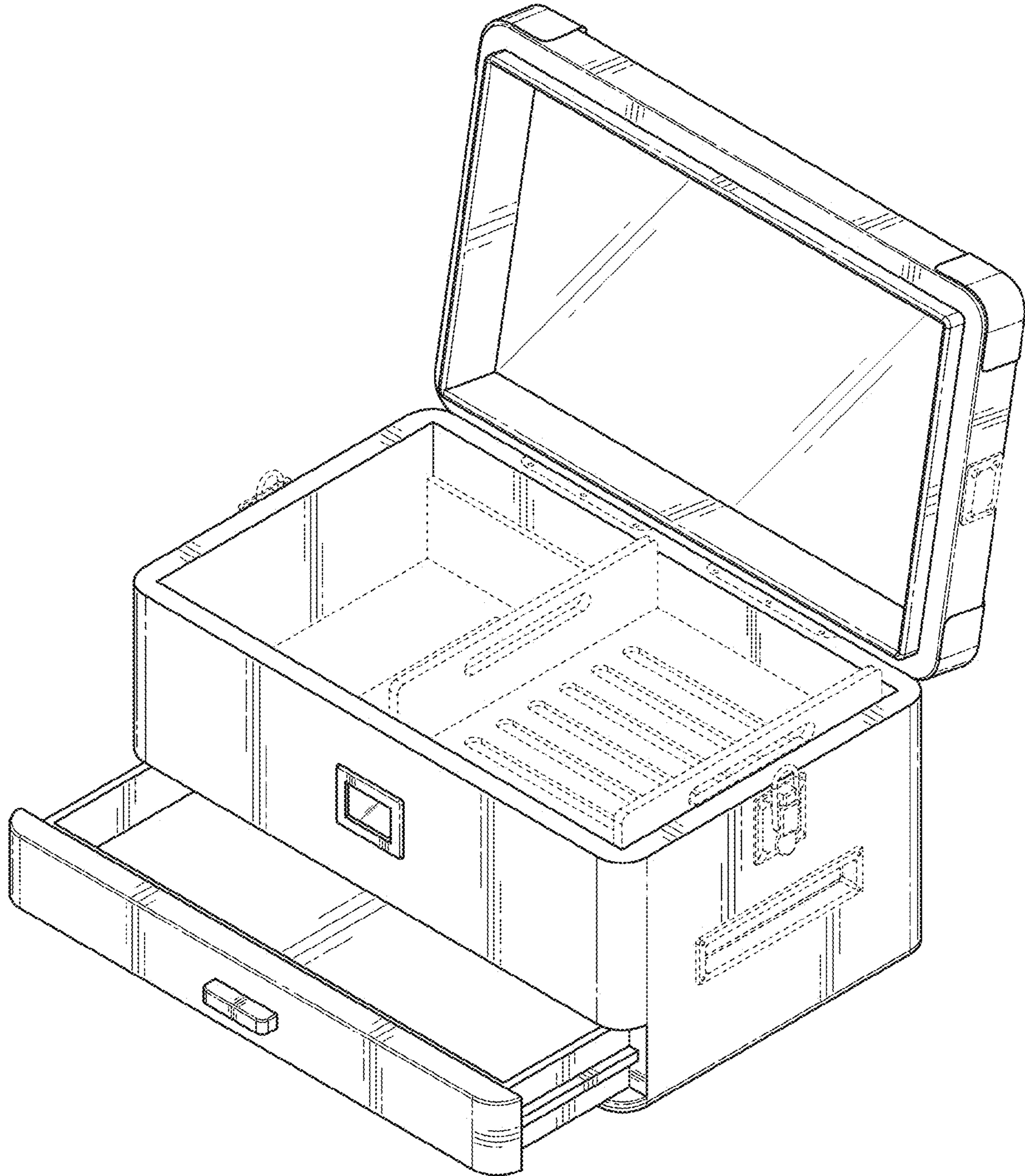


FIG. 8