



US00D980513S

(12) **United States Design Patent**
Liu

(10) **Patent No.:** **US D980,513 S**
(45) **Date of Patent:** **** Mar. 7, 2023**

(54) **HEATING CUP FOR AN ELECTRONIC CIGARETTE**

(71) Applicant: **Shenzhen Eigate Technology Co., Ltd.**, Shenzhen (CN)

(72) Inventor: **Tuanfang Liu**, Shenzhen (CN)

(73) Assignee: **ASPIRE NORTH AMERICA LLC**

(**) Term: **15 Years**

(21) Appl. No.: **29/801,637**

(22) Filed: **Jul. 29, 2021**

(30) **Foreign Application Priority Data**

Feb. 1, 2021 (CN) 202130073292.2

(51) **LOC (14) Cl.** **27-02**

(52) **U.S. Cl.**
USPC **D27/167**

(58) **Field of Classification Search**
USPC D27/101, 162-165, 167, 169, 172, 180,
D27/183, 194; D23/360
CPC A24F 40/00; A24F 40/10; A24F 40/20;
A24F 40/40; A24F 40/42
See application file for complete search history.

(56) **References Cited**

U.S. PATENT DOCUMENTS

D814,694 S * 4/2018 Watson D27/194
D874,717 S * 2/2020 Nhep D27/162

D914,961 S * 3/2021 Li D27/162
D916,364 S * 4/2021 Li D27/162
D943,169 S * 2/2022 Houkal D27/162
D946,819 S * 3/2022 Naddour D27/162
D948,784 S * 4/2022 Liu D27/169
D960,434 S * 8/2022 Liu D27/162
2021/0360973 A1 * 11/2021 Liu A24F 1/30

* cited by examiner

Primary Examiner — Rebecca Tsehaye

(74) *Attorney, Agent, or Firm* — Matthias Scholl P.C.;
Matthias Scholl

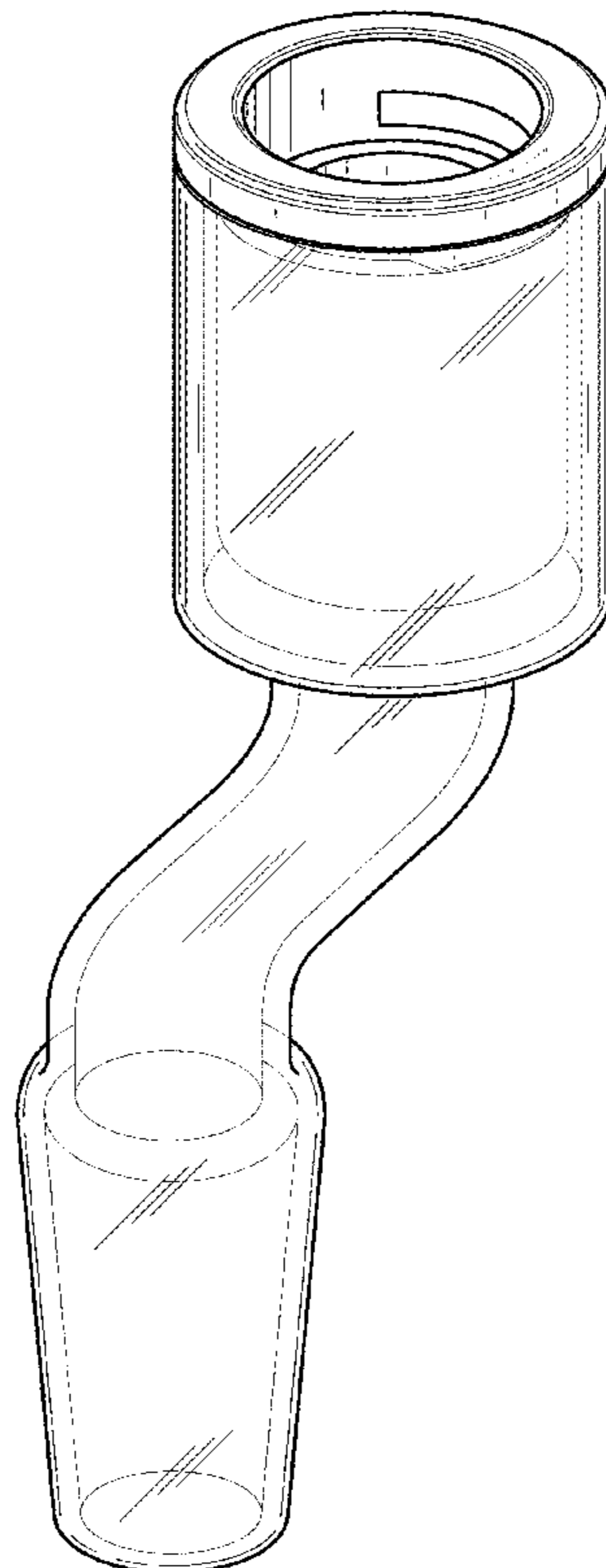
(57) **CLAIM**

The ornamental design for a heating cup for an electronic cigarette, as shown and described.

DESCRIPTION

FIG. 1 is a front elevation view of a heating cup for an electronic cigarette, showing my new design;
FIG. 2 is a rear elevation view thereof;
FIG. 3 is a left-side elevation view thereof;
FIG. 4 is a right-side elevation view thereof;
FIG. 5 is a top plan view thereof;
FIG. 6 is a bottom plan view thereof; and,
FIG. 7 is a perspective view thereof.

1 Claim, 7 Drawing Sheets



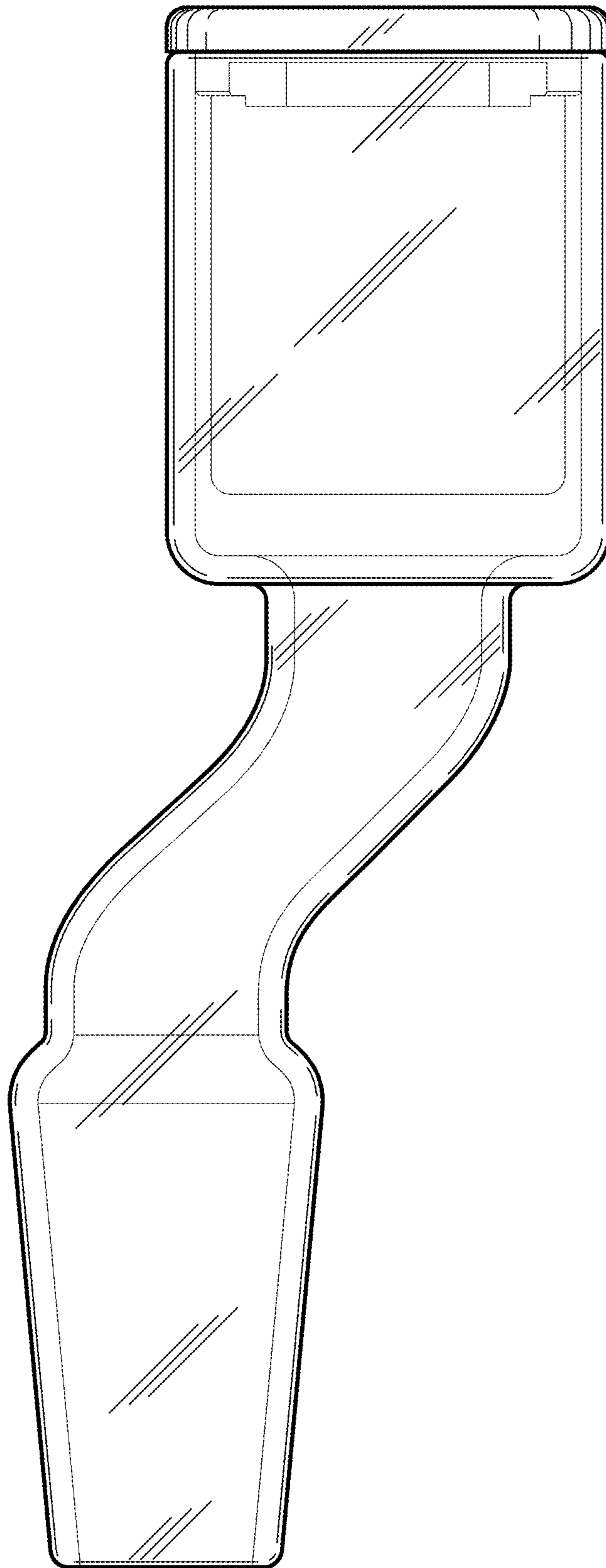


FIG. 1

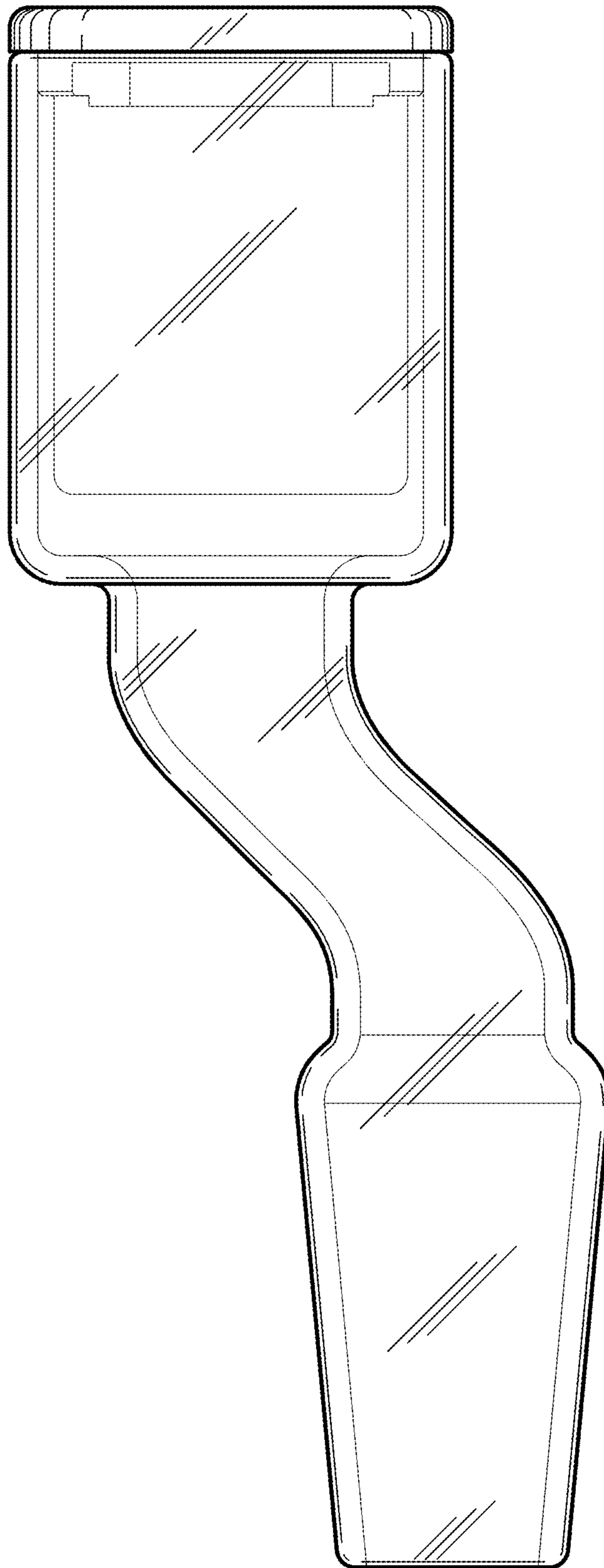


FIG. 2

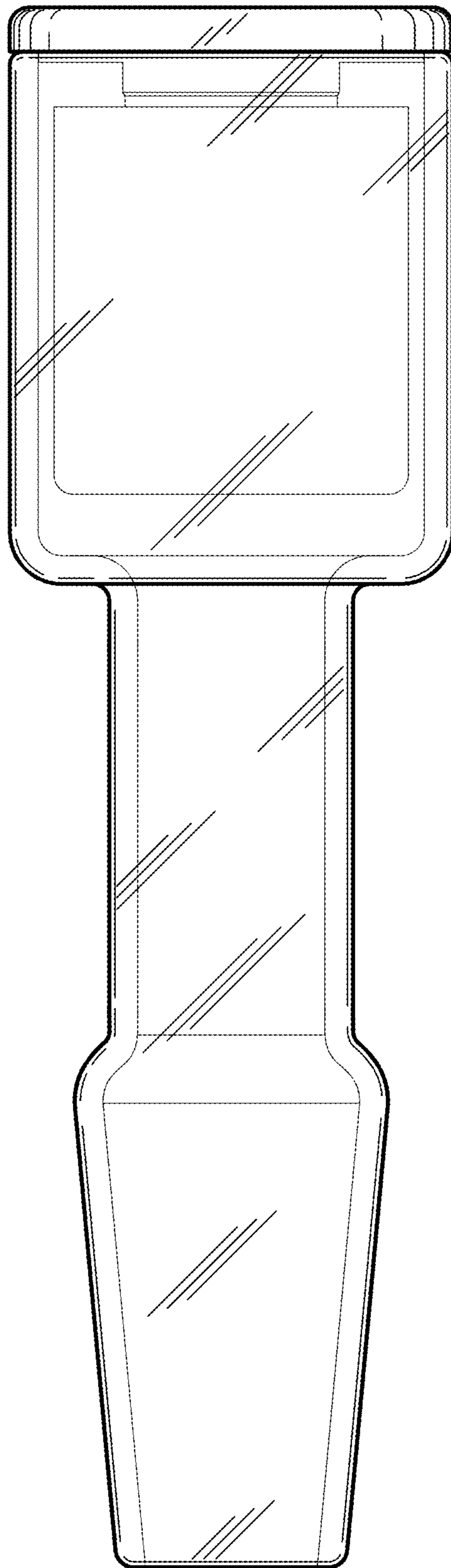


FIG. 3

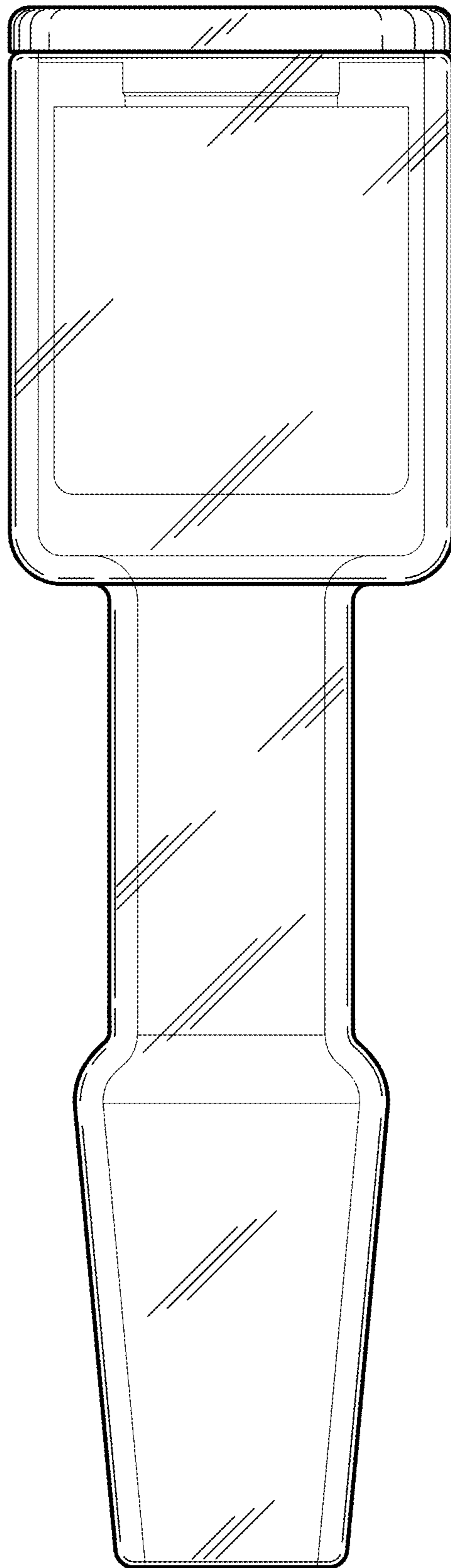


FIG. 4

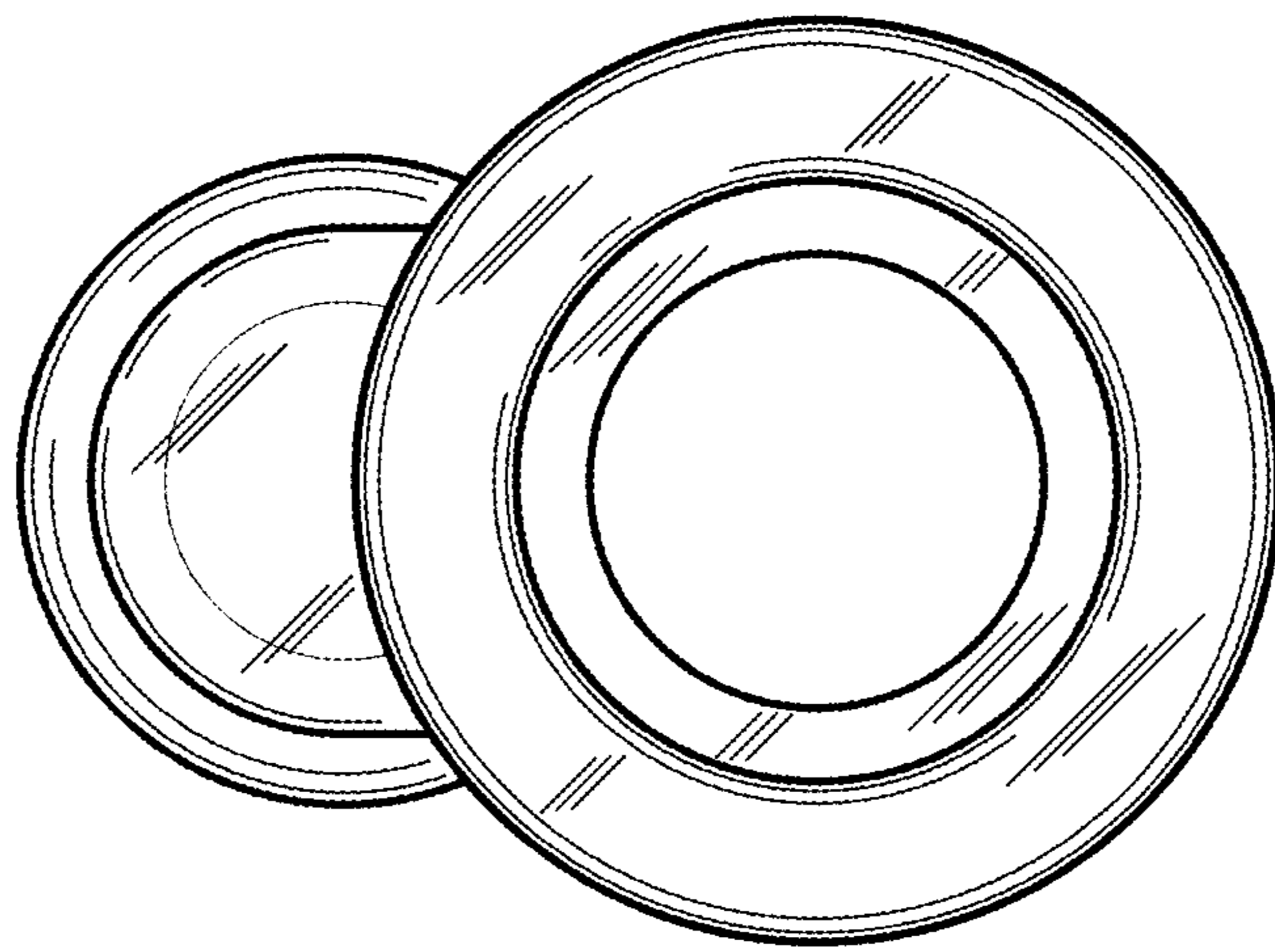


FIG. 5

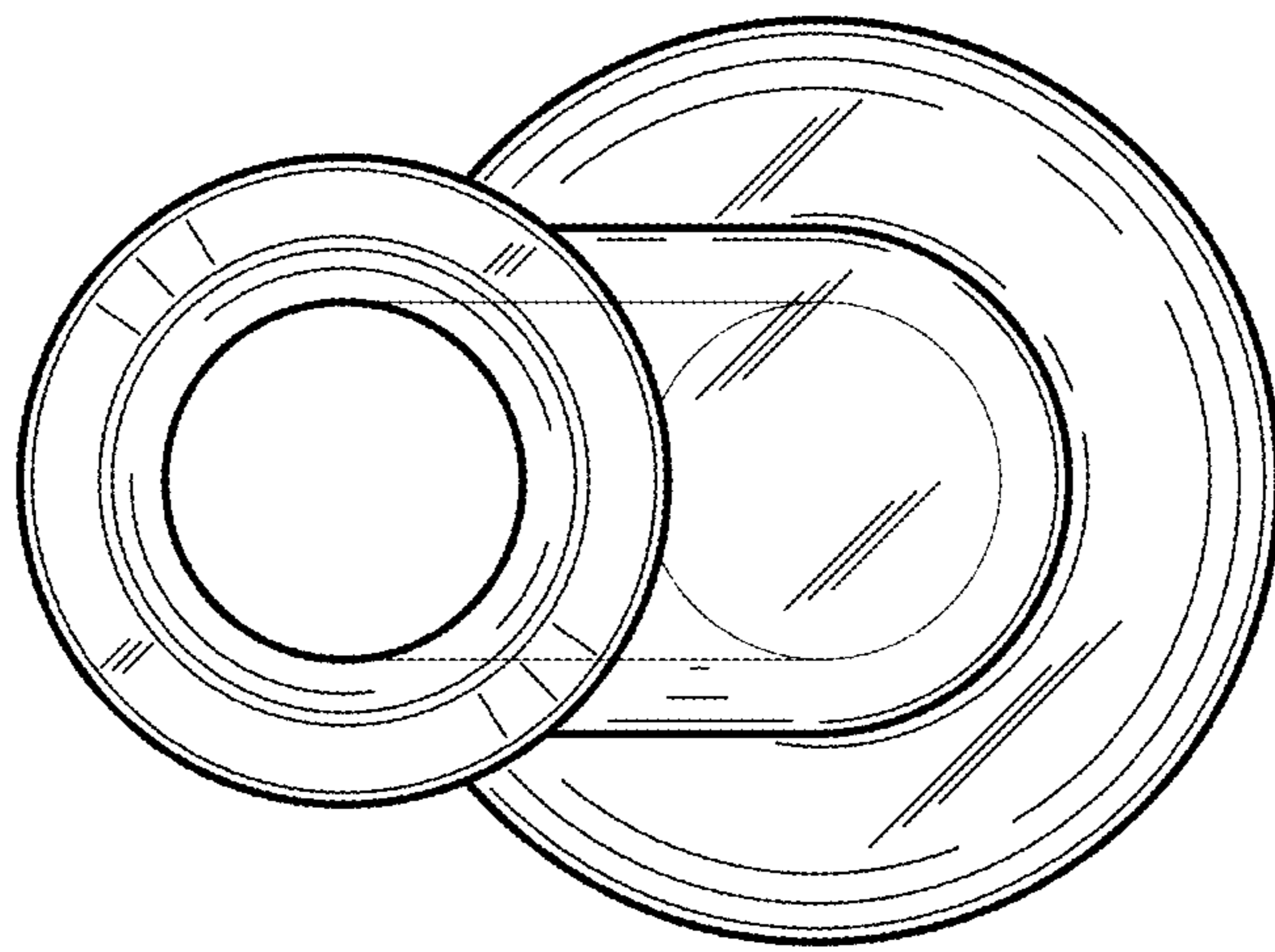


FIG. 6

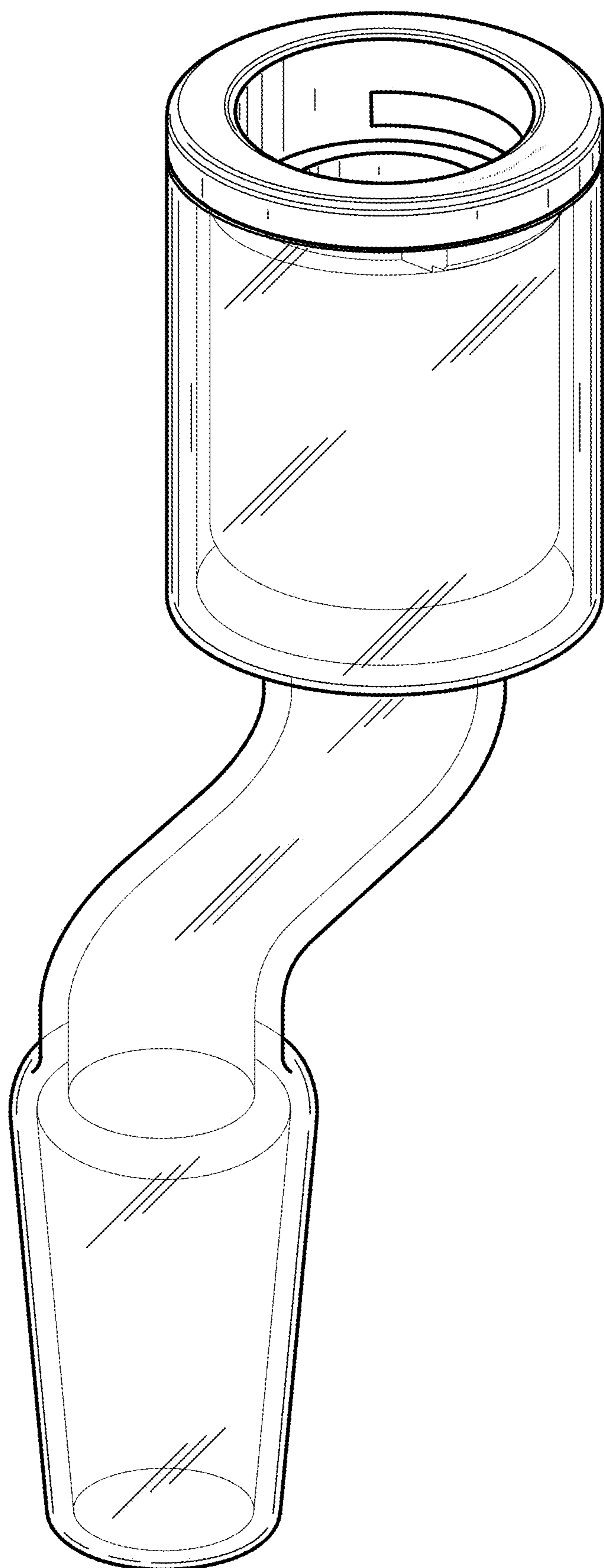


FIG. 7