



US00D980512S

(12) **United States Design Patent**  
**Liu**

(10) **Patent No.:** **US D980,512 S**  
(45) **Date of Patent:** **\*\* Mar. 7, 2023**

(54) **HEATING CUP FOR AN ELECTRONIC CIGARETTE**

(71) Applicant: **Shenzhen Eigate Technology Co., Ltd.**, Shenzhen (CN)

(72) Inventor: **Tuanfang Liu**, Shenzhen (CN)

(73) Assignee: **ASPIRE NORTH AMERICA LLC**

(\*\*) Term: **15 Years**

(21) Appl. No.: **29/801,631**

(22) Filed: **Jul. 29, 2021**

(30) **Foreign Application Priority Data**

Feb. 1, 2021 (CN) ..... 202130073290.3

(51) **LOC (14) Cl.** ..... **27-02**

(52) **U.S. Cl.**  
USPC ..... **D27/167**

(58) **Field of Classification Search**  
USPC ..... D27/101, 162-165, 167, 169, 172, 180,  
D27/183, 194; D23/360  
CPC ..... A24F 40/00; A24F 40/10; A24F 40/20;  
A24F 40/40; A24F 40/42  
See application file for complete search history.

(56) **References Cited**

**U.S. PATENT DOCUMENTS**

D814,694 S \* 4/2018 Watson ..... D27/194  
D874,717 S \* 2/2020 Nhep ..... D27/162

D914,961 S \* 3/2021 Li ..... D27/162  
D916,364 S \* 4/2021 Li ..... D27/162  
D943,169 S \* 2/2022 Houkal ..... D27/162  
D946,819 S \* 3/2022 Naddour ..... D27/162  
D948,784 S \* 4/2022 Liu ..... D27/169  
D960,434 S \* 8/2022 Liu ..... D27/162  
2021/0360973 A1 \* 11/2021 Liu ..... A24F 1/30

\* cited by examiner

*Primary Examiner* — Rebecca Tsehaye

(74) *Attorney, Agent, or Firm* — Matthias Scholl P.C.;  
Matthias Scholl

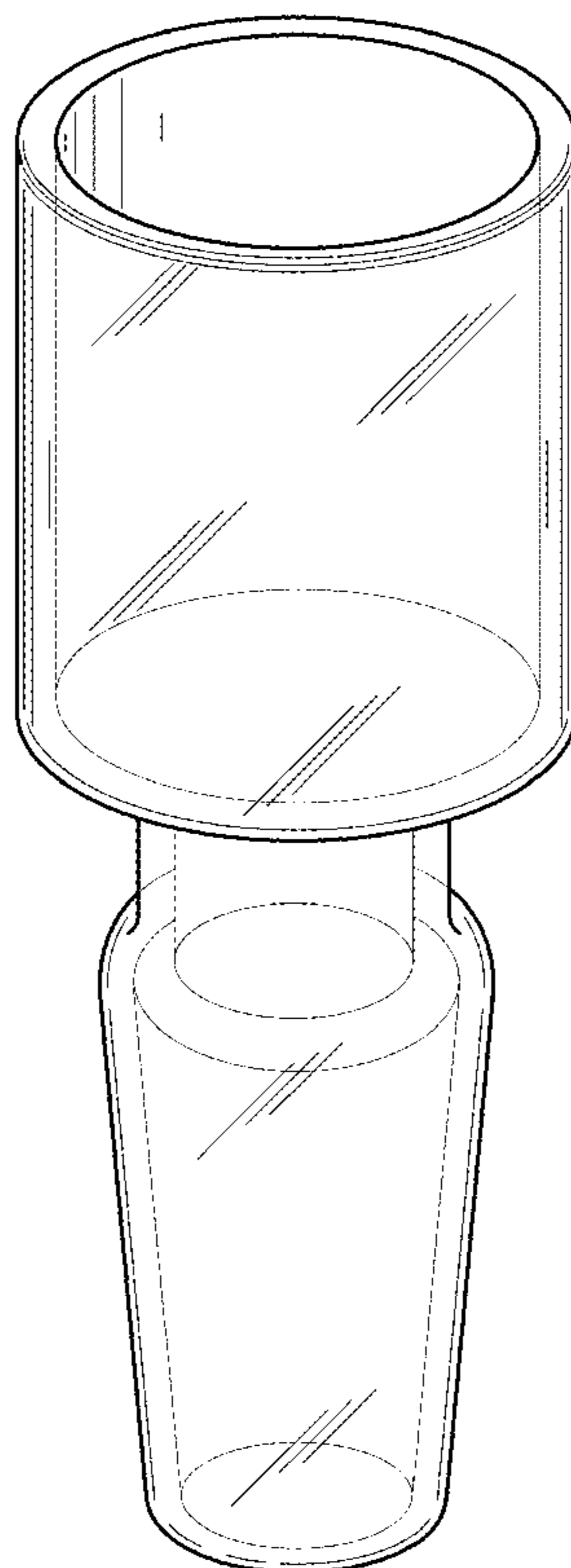
(57) **CLAIM**

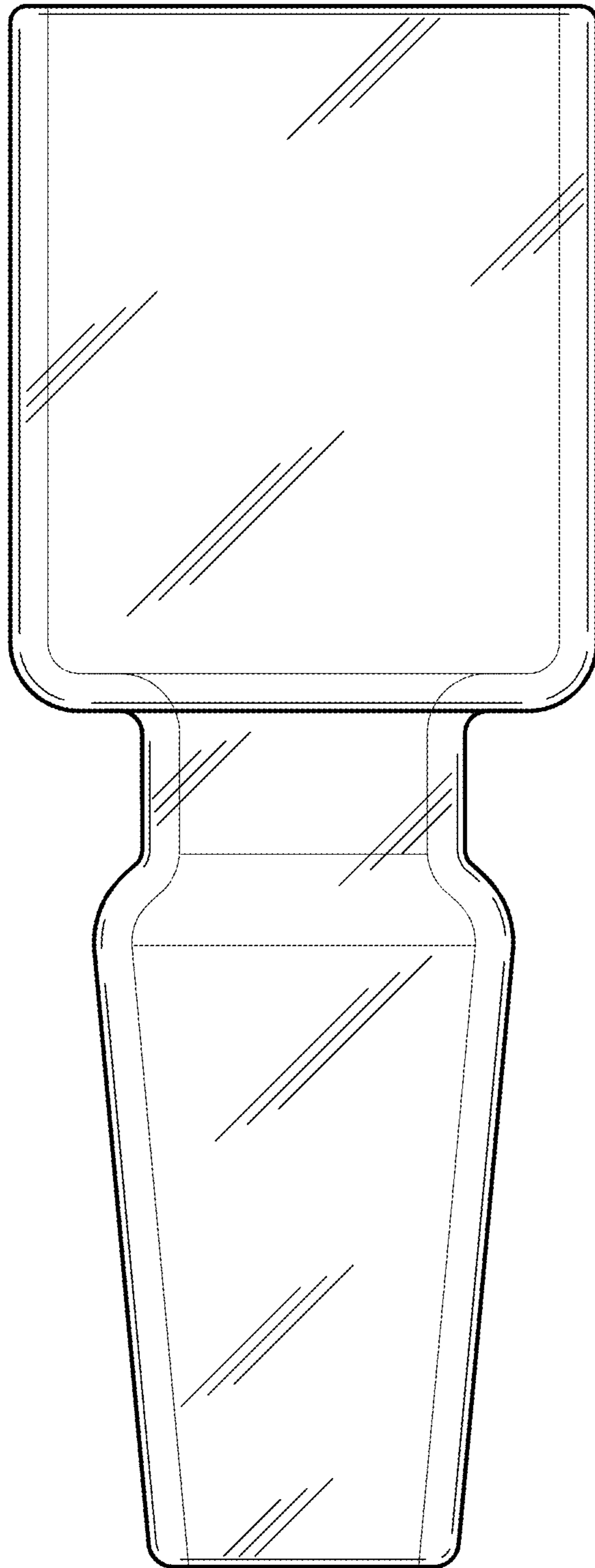
The ornamental design for a heating cup for an electronic cigarette, as shown and described.

**DESCRIPTION**

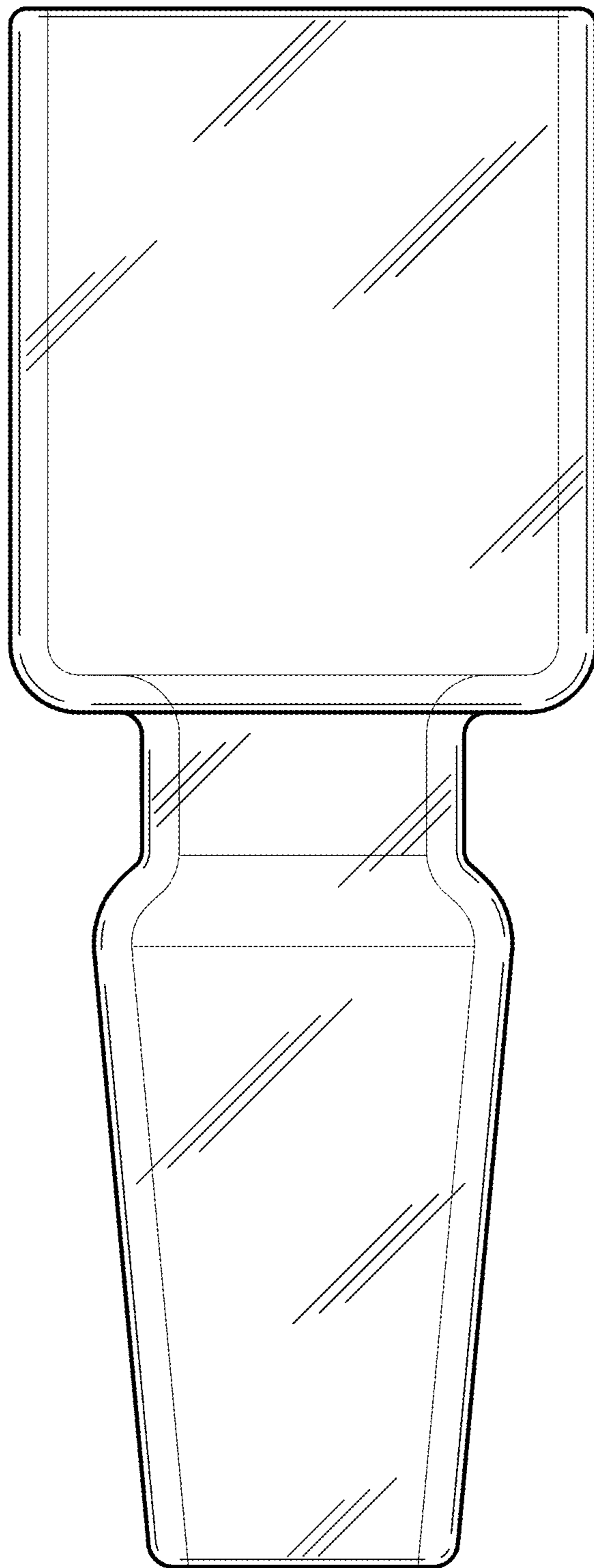
FIG. 1 is a front elevation view of a heating cup for an electronic cigarette, showing my new design;  
FIG. 2 is a rear elevation view thereof;  
FIG. 3 is a left-side elevation view thereof;  
FIG. 4 is a right-side elevation view thereof;  
FIG. 5 is a top plan view thereof;  
FIG. 6 is a bottom plan view thereof; and,  
FIG. 7 is a perspective view thereof.

**1 Claim, 7 Drawing Sheets**

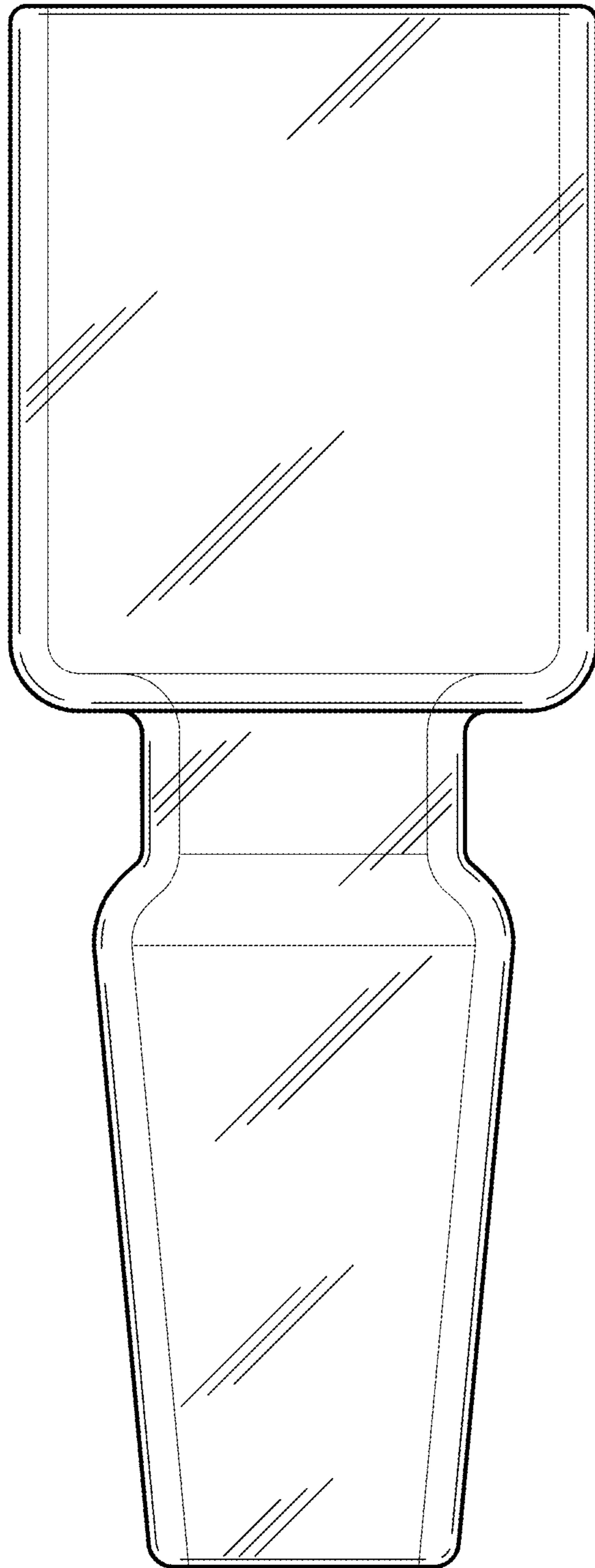




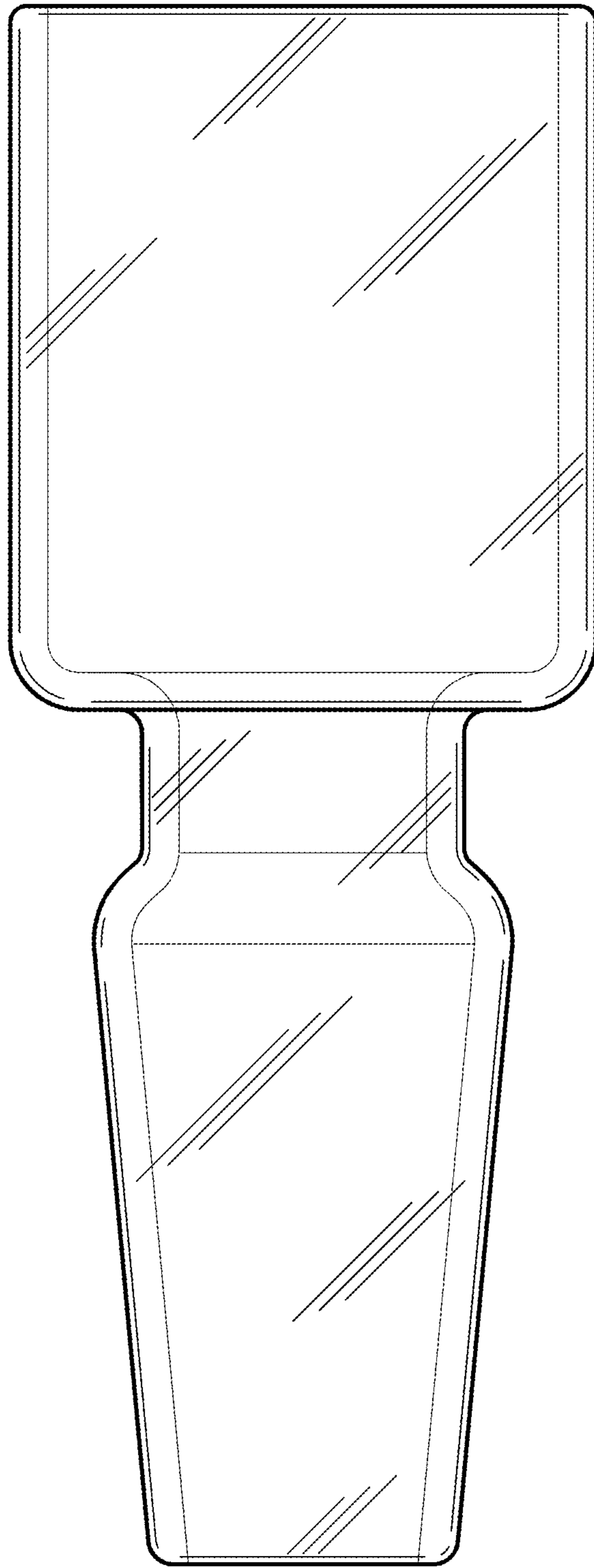
**FIG. 1**



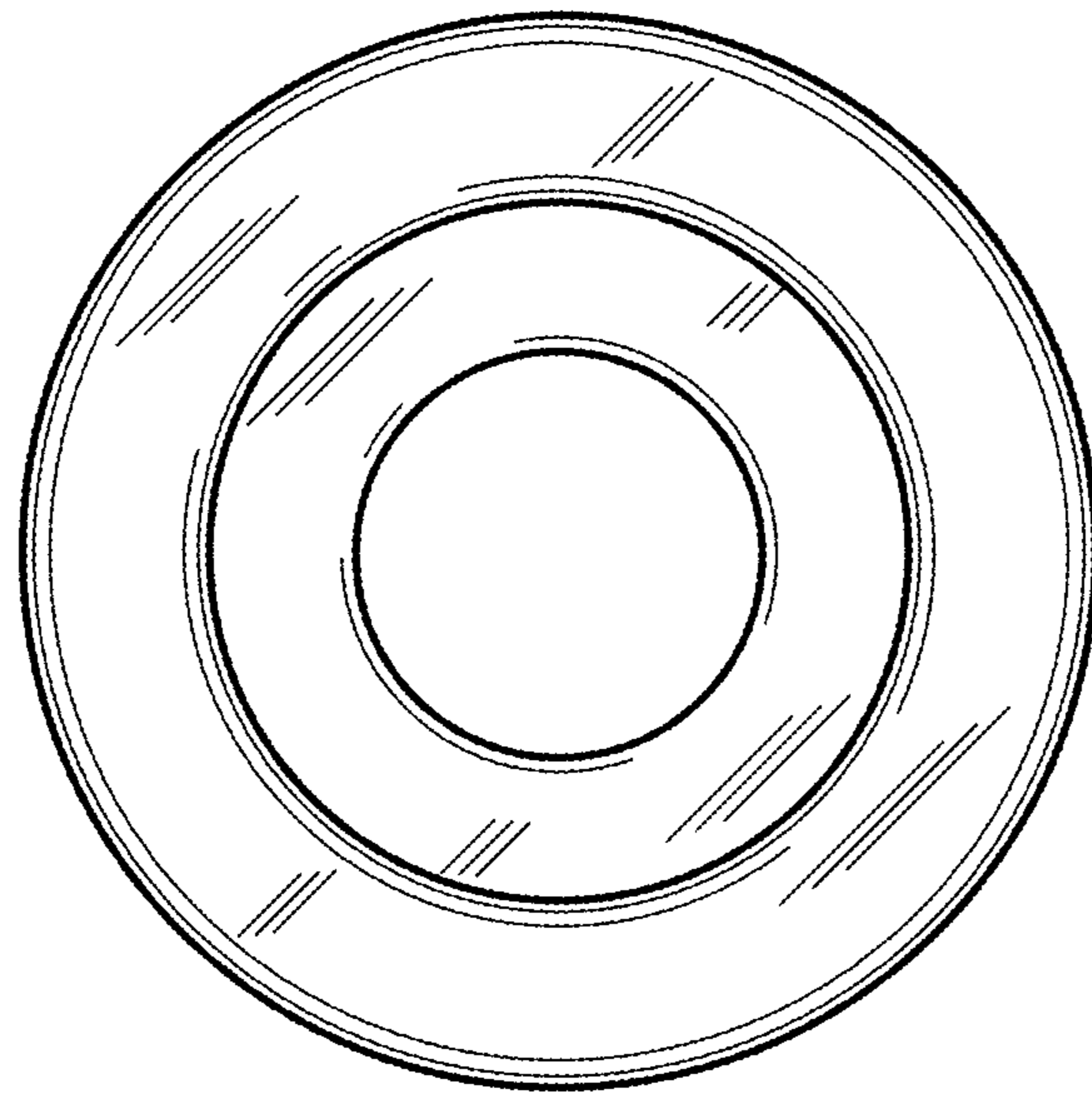
**FIG. 2**



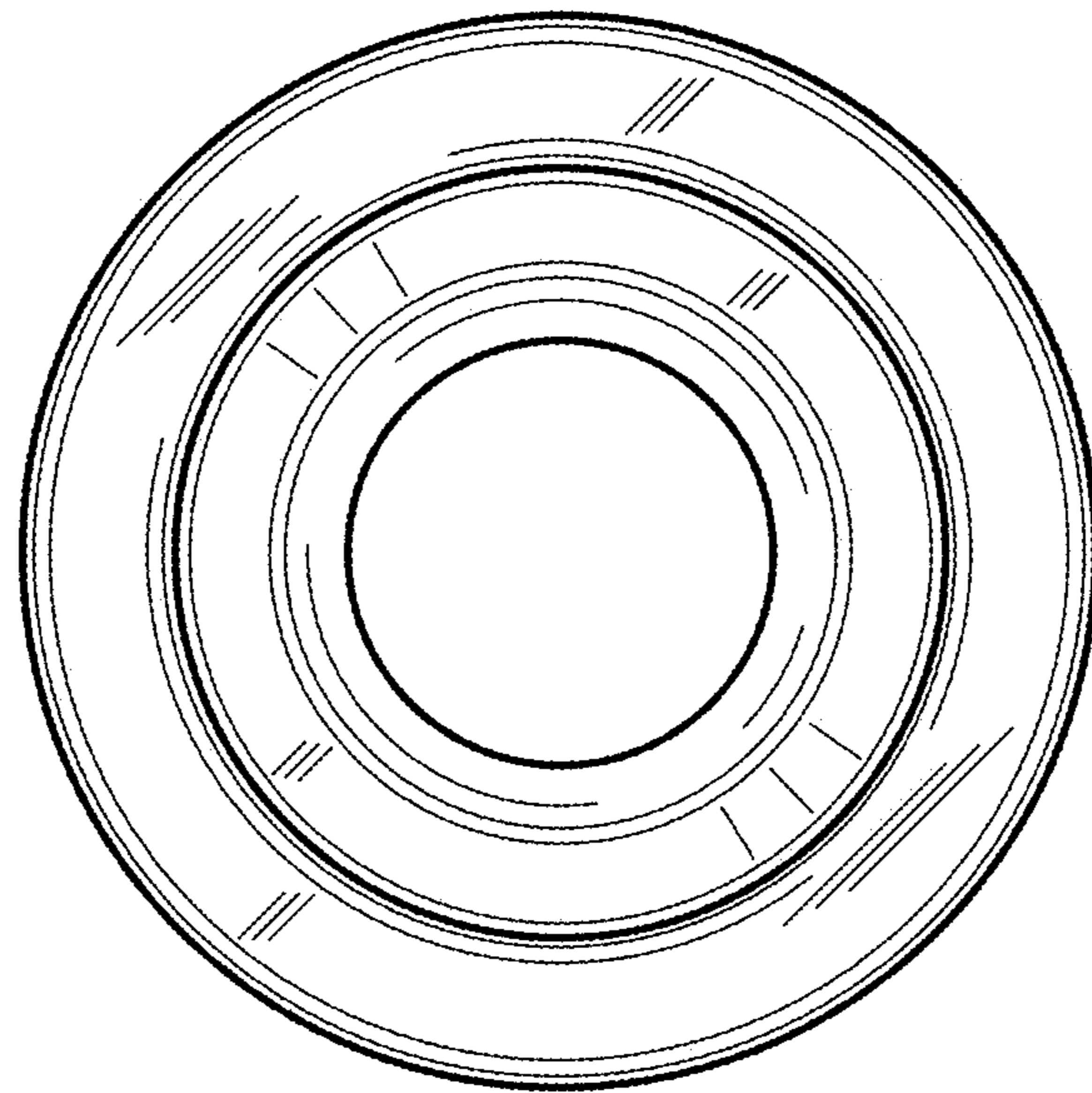
**FIG. 3**



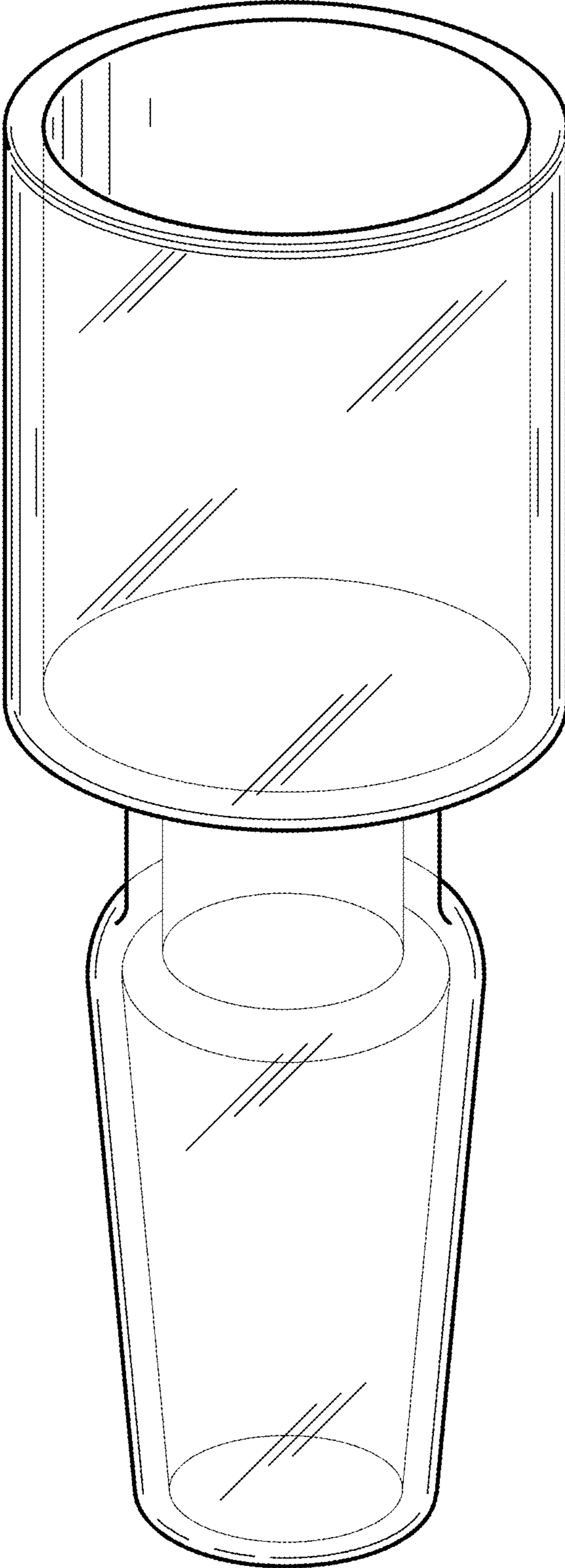
**FIG. 4**



**FIG. 5**



**FIG. 6**



**FIG. 7**