



US00D980511S

(12) **United States Design Patent** (10) **Patent No.:** **US D980,511 S**
Liu (45) **Date of Patent:** **** Mar. 7, 2023**

(54) **ELECTROMAGNETIC COIL FOR ELECTRONIC CIGARETTE**
(71) Applicant: **Shenzhen Eigate Technology Co., Ltd.**, Shenzhen (CN)
(72) Inventor: **Tuanfang Liu**, Shenzhen (CN)
(73) Assignee: **ASPIRE NORTH AMERICA LLC**, Los Angeles, CA (US)
(**) Term: **15 Years**

D638,927 S * 5/2011 Kidane D23/415
D835,940 S * 12/2018 Krishnan A47J 37/0611
D7/407
D861,977 S * 10/2019 Masri D27/167
D884,962 S * 5/2020 Masri D27/167
11,067,288 B2 * 7/2021 Springer F24C 7/087
11,098,904 B2 * 8/2021 Springer F24C 7/083
D955,168 S * 6/2022 Springer D7/407
D955,815 S * 6/2022 Pasqual D7/407
2017/0356658 A1 * 12/2017 Smith H05B 3/24
2018/0238557 A1 * 8/2018 Pasqual F24C 15/105
2019/0186752 A1 * 6/2019 Xu F24C 15/105
2021/0410233 A1 * 12/2021 Liu A24F 40/46
2022/0295893 A1 * 9/2022 Liu H05B 6/105

(21) Appl. No.: **29/801,627**
(22) Filed: **Jul. 29, 2021**
(30) **Foreign Application Priority Data**
Mar. 22, 2021 (CN) 202130155127.1
(51) **LOC (14) Cl.** **27-02**
(52) **U.S. Cl.**
USPC **D27/167**
(58) **Field of Classification Search**
USPC D27/162, 167, 193, 194; D24/110, D24/110.5; D13/103, 107; D23/330, D23/322, 323, 386, 415, 417-419
CPC A24F 40/46; A24F 40/465; A24F 40/00; A24F 40/40; A24F 1/30; A24F 1/02; A24F 1/00; A61M 15/00; A61M 15/0001
See application file for complete search history.

(56) **References Cited**
U.S. PATENT DOCUMENTS
3,192,361 A * 6/1965 Post H05B 3/76
219/463.1
4,388,518 A * 6/1983 Willbanks H05B 3/76
219/454.12
5,227,611 A * 7/1993 Allatt H05B 3/76
219/454.12
D625,558 S * 10/2010 Griffith D7/407

OTHER PUBLICATIONS

Wireless Charging Coils By: TDK Corporation found on line (Oct. 17, 2022) https://www.digikey.com/en/products/detail/tdk-corporation/WT505090-10F2-A11-G1/8019490?utm_adgroup=Wireless%20Charging%20Coils&utm_source= (Date not available).*

* cited by examiner

Primary Examiner — Rebecca Tsehaye
(74) *Attorney, Agent, or Firm* — Matthias Scholl P.C.; Matthias Scholl

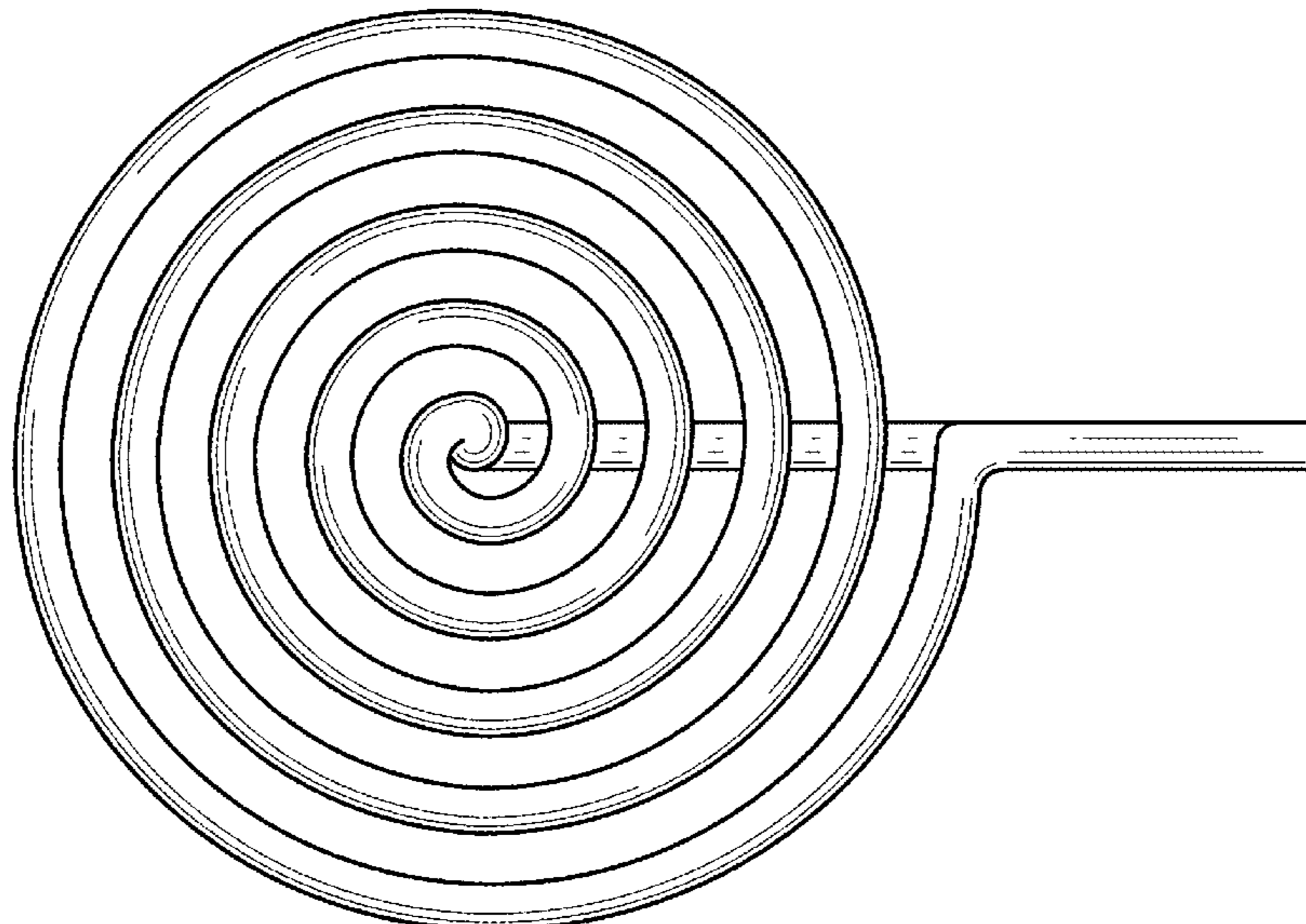
(57) **CLAIM**

The ornamental design for an electromagnetic coil for an electronic cigarette, as shown and described.

DESCRIPTION

FIG. 1 is a front elevation view of an electromagnetic coil for an electronic cigarette, showing my new design; FIG. 2 is a rear elevation view thereof; FIG. 3 is a left-side elevation view thereof; FIG. 4 is a right-side elevation view thereof; FIG. 5 is a top plan view thereof; FIG. 6 is a bottom plan view thereof; and, FIG. 7 is a perspective view thereof.

1 Claim, 7 Drawing Sheets



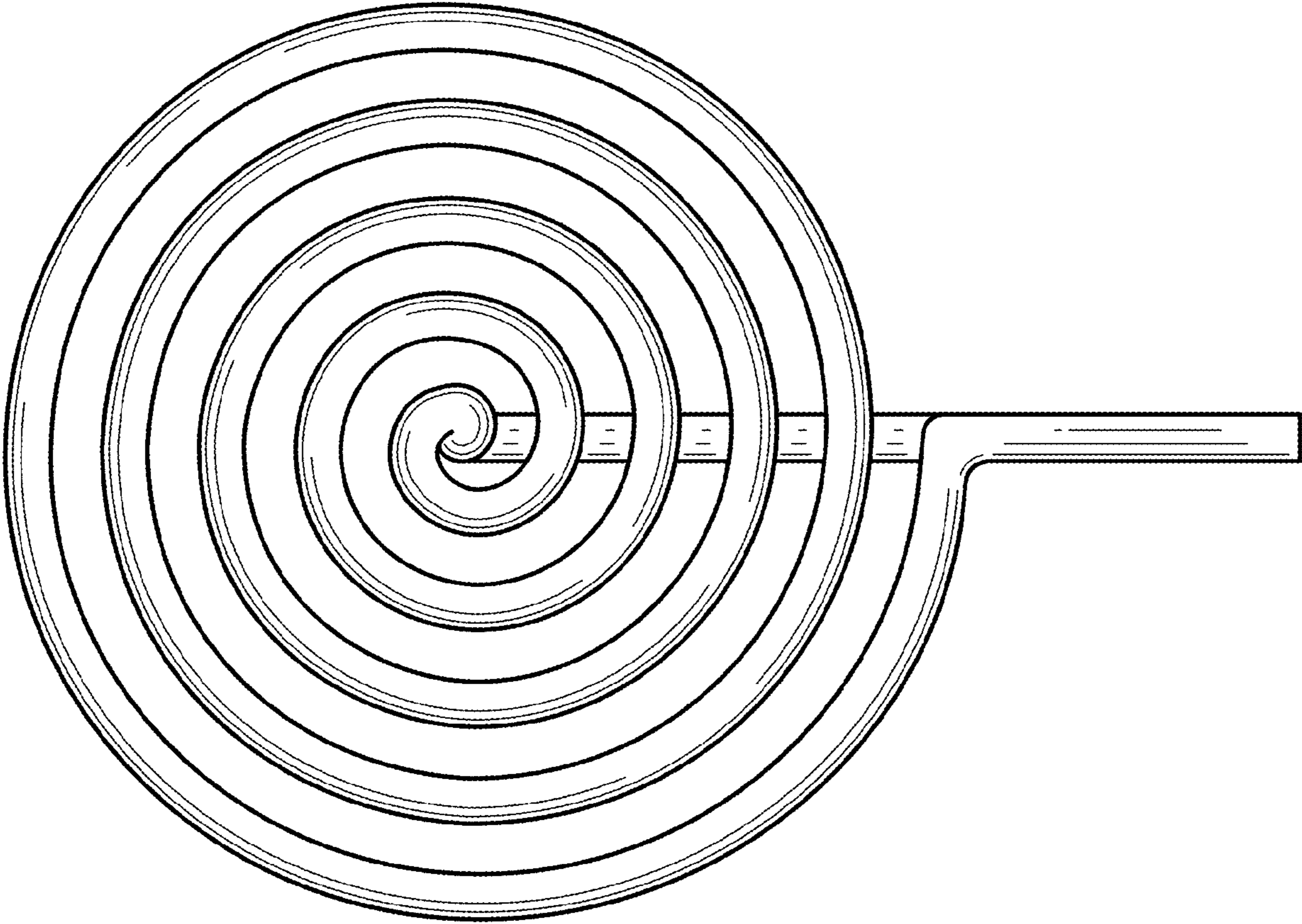


FIG. 1

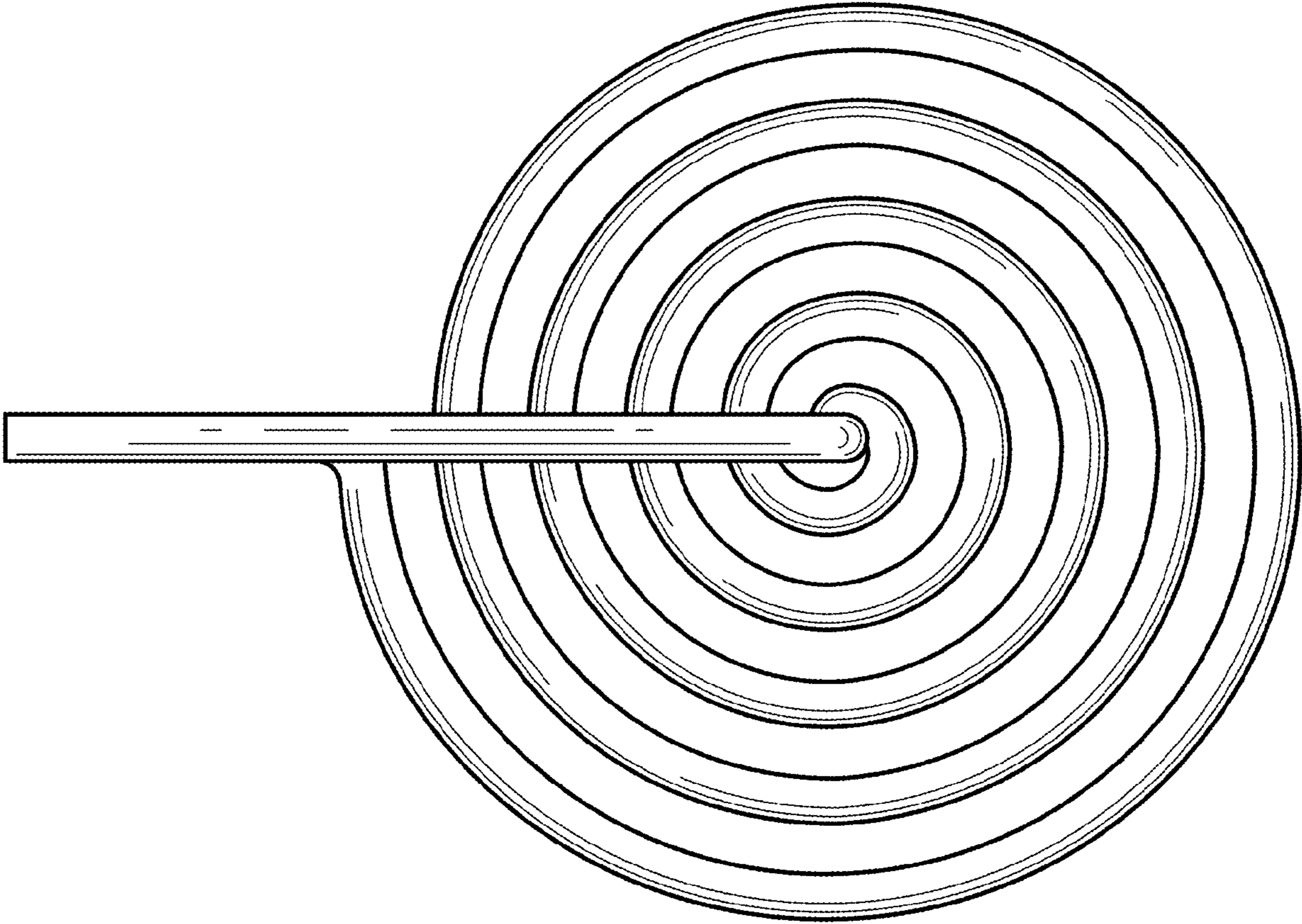


FIG. 2

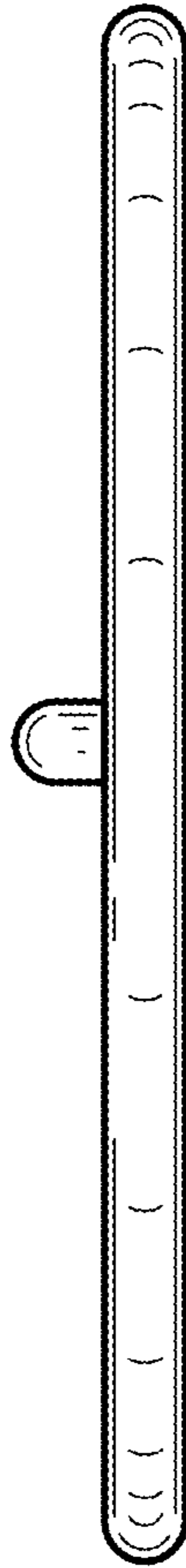


FIG. 3

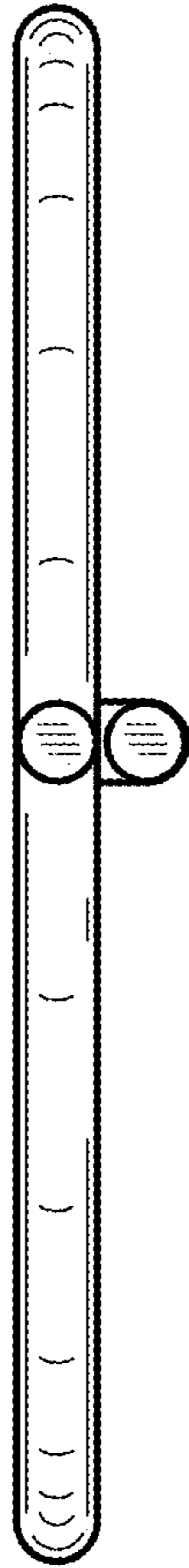


FIG. 4

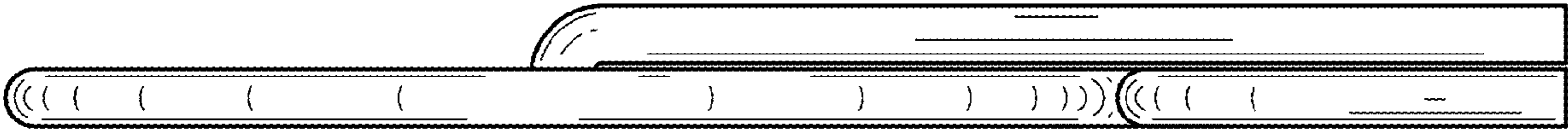


FIG. 5

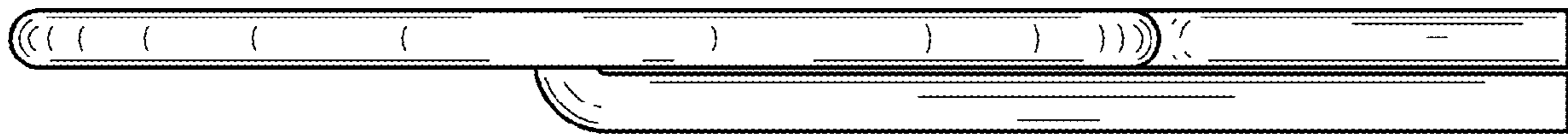


FIG. 6

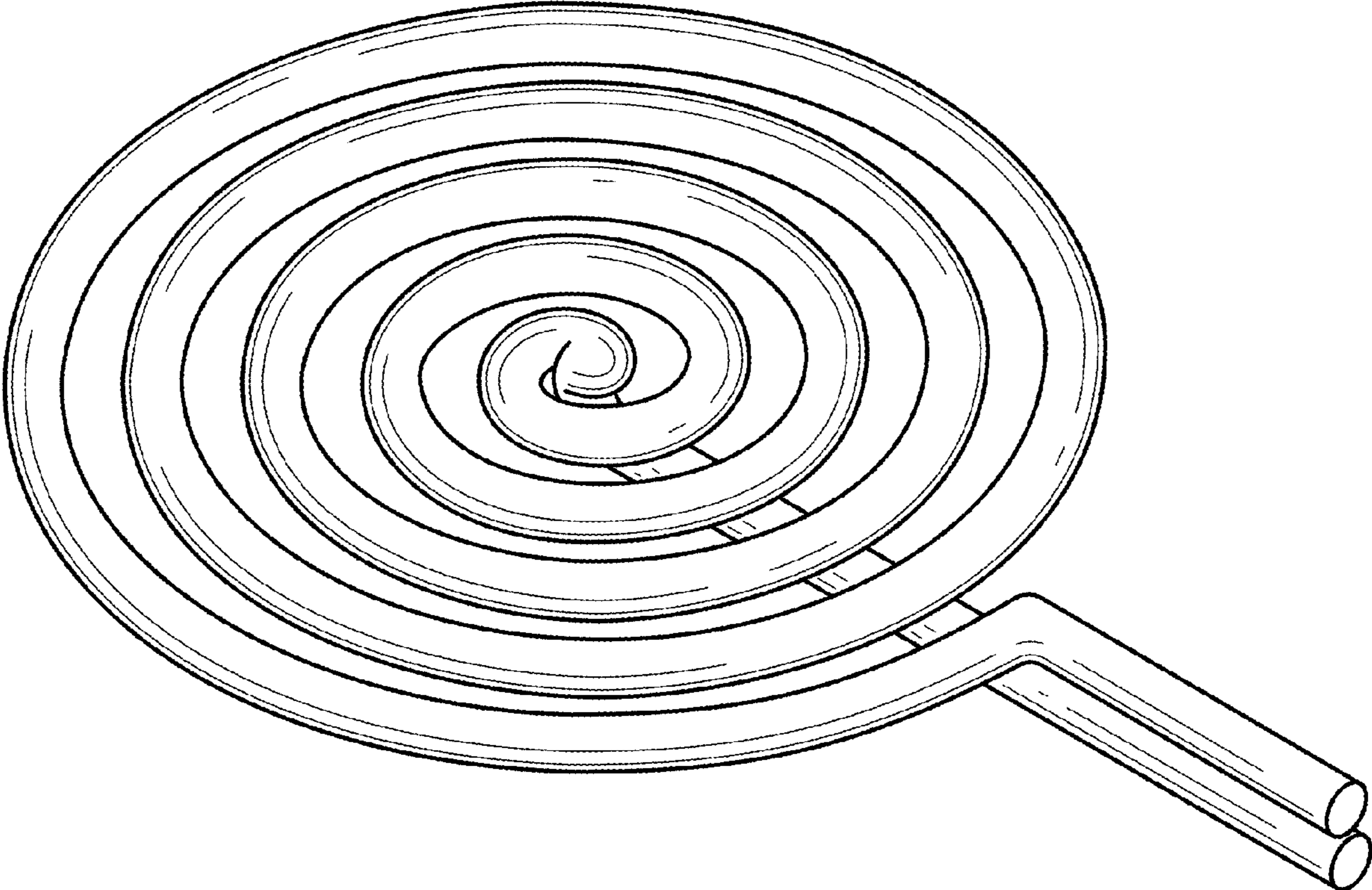


FIG. 7