



US00D980510S

(12) **United States Design Patent** (10) **Patent No.:** **US D980,510 S**
Liu (45) **Date of Patent:** **** Mar. 7, 2023**

(54) **ELECTRONIC HOOKAH**
(71) Applicant: **Shenzhen Eigate Technology Co., Ltd., Shenzhen (CN)**
(72) Inventor: **Tuanfang Liu, Shenzhen (CN)**
(73) Assignee: **ASPIRE NORTH AMERICA LLC**
(**) Term: **15 Years**

D929,647 S * 8/2021 Liu D27/162
D932,096 S * 9/2021 Liu D27/162
D933,288 S * 10/2021 Liu D27/162
D933,289 S * 10/2021 Liu D27/167
D943,175 S * 2/2022 Chen D27/162
D943,816 S * 2/2022 Liu D27/162
D948,780 S * 4/2022 Liu D27/162
D958,449 S * 7/2022 Yuan D27/162
D960,437 S * 8/2022 Liu D27/162

(21) Appl. No.: **29/787,052**
(22) Filed: **Jun. 3, 2021**

(30) **Foreign Application Priority Data**
Dec. 4, 2020 (CN) 202030748127.8
(51) **LOC (14) Cl.** **27-02**
(52) **U.S. Cl.**
USPC **D27/167**
(58) **Field of Classification Search**
USPC D27/100, 103, 162-165, 167, 169, 172,
D27/180, 183, 194; D23/360, 366
CPC A24F 1/30; A24F 1/02; A24F 1/00; A24F
47/008; A24F 47/002; A61M 11/00
See application file for complete search history.

(56) **References Cited**
U.S. PATENT DOCUMENTS
D722,956 S * 2/2015 Alima D13/103
D805,248 S * 12/2017 Chen D27/170
D877,975 S * 3/2020 Crowe D27/162
D882,165 S * 4/2020 Ouyang D27/162
D893,798 S * 8/2020 Liu D27/162
D899,677 S * 10/2020 Liu D27/162

OTHER PUBLICATIONS

Vaporizer Pen By: Yocan found on line (Oct. 7, 2022) <https://dankstop.com/products/yocan-evolve-plus-vaporizer-pen> (Nov. 28, 2020).*

* cited by examiner

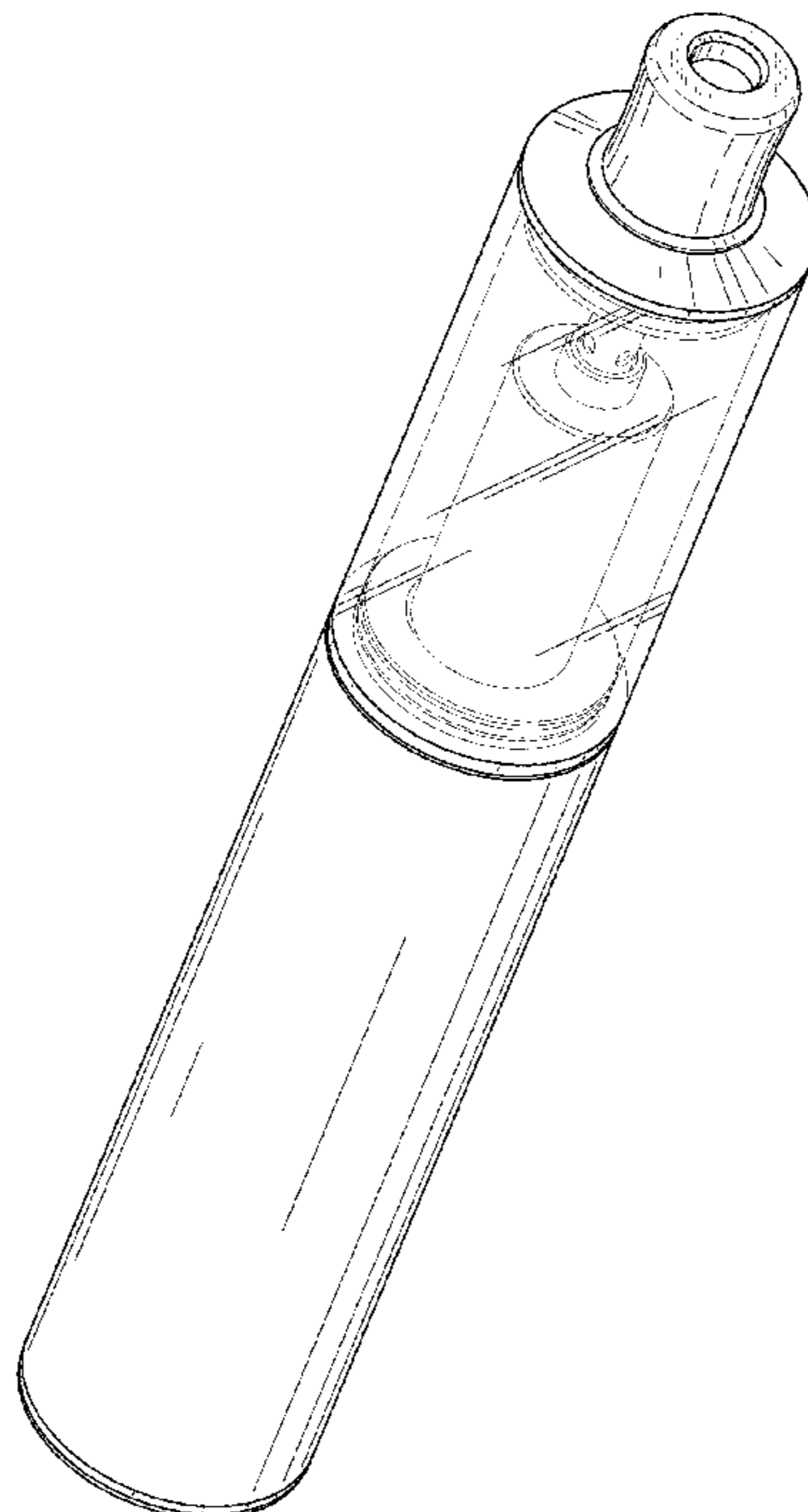
Primary Examiner — Rebecca Tsehaye
(74) *Attorney, Agent, or Firm* — Matthias Scholl P.C.;
Matthias Scholl

(57) **CLAIM**
The ornamental design for an electronic hookah, as shown and described.

DESCRIPTION

FIG. 1 is a front elevation view of an electronic hookah, showing my new design;
FIG. 2 is a rear elevation view thereof;
FIG. 3 is a left-side elevation view thereof;
FIG. 4 is a right-side elevation view thereof;
FIG. 5 is a top plan view thereof;
FIG. 6 is a bottom plan view thereof; and,
FIG. 7 is a perspective view thereof.
The broken lines depict portions of the article that form no part of the claimed design.

1 Claim, 7 Drawing Sheets



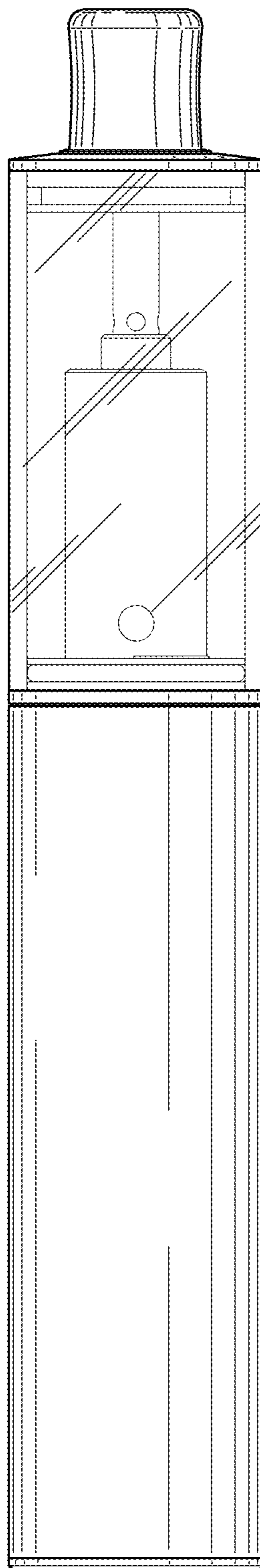


FIG. 1

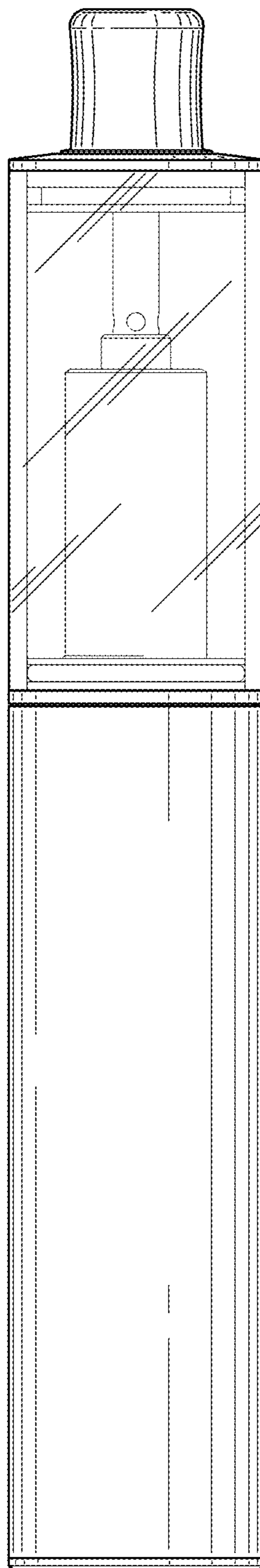


FIG. 2

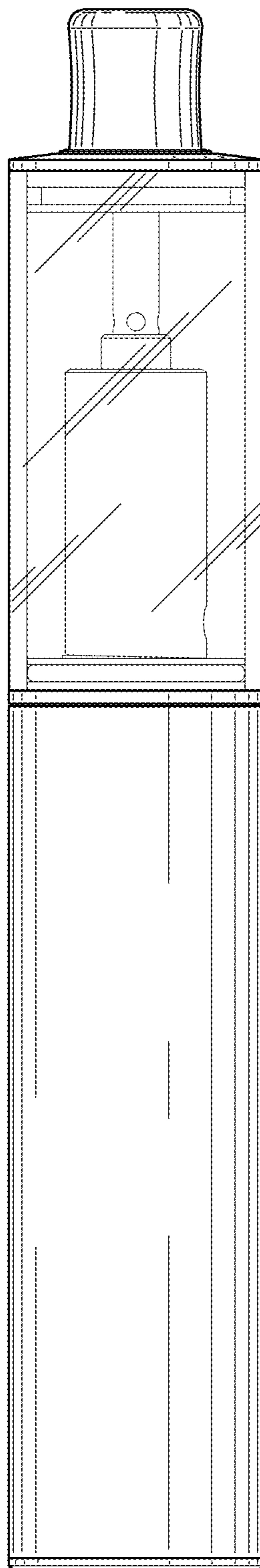


FIG. 3

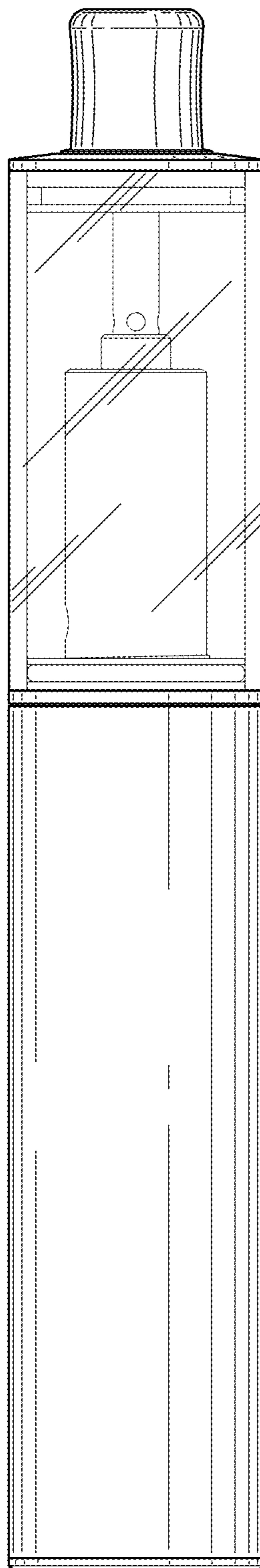


FIG. 4

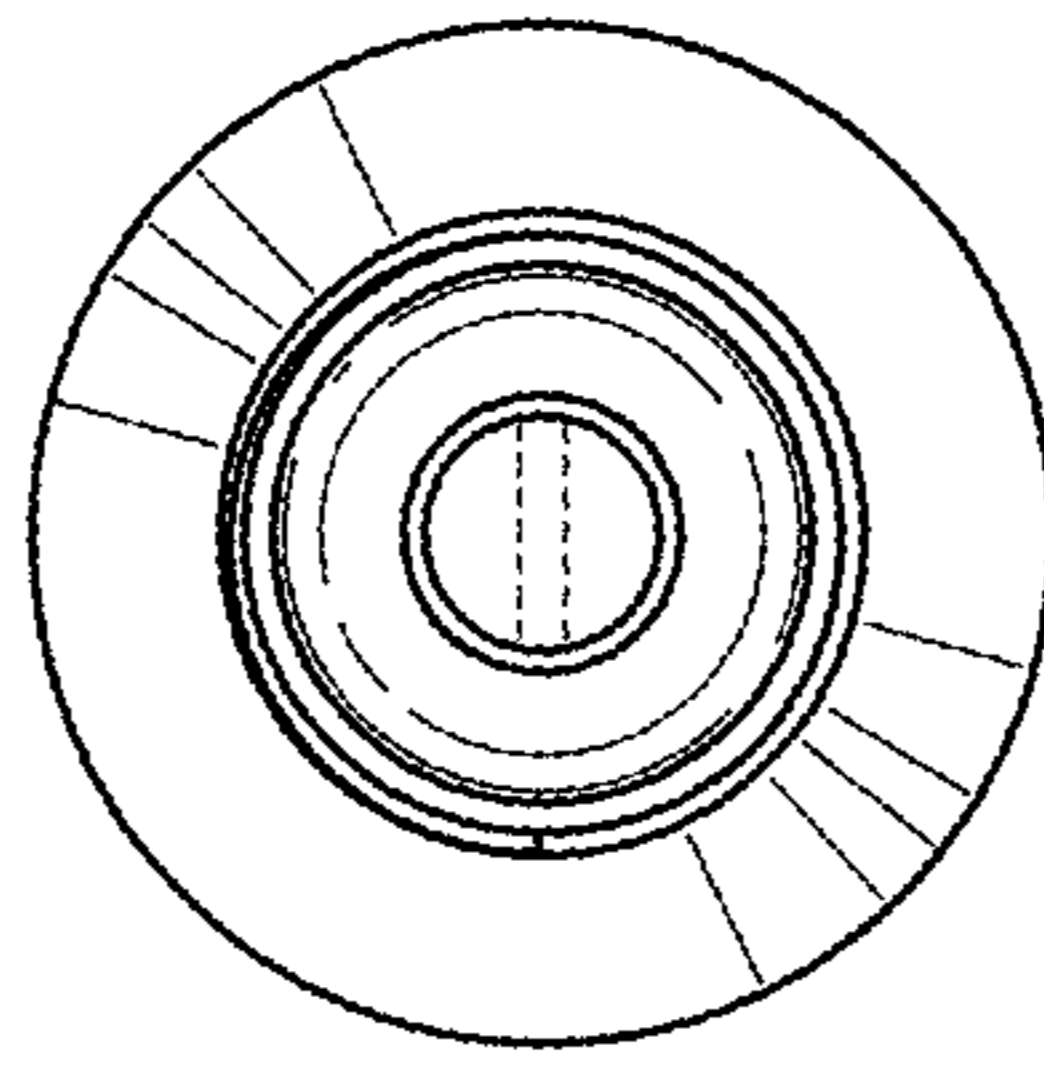


FIG. 5

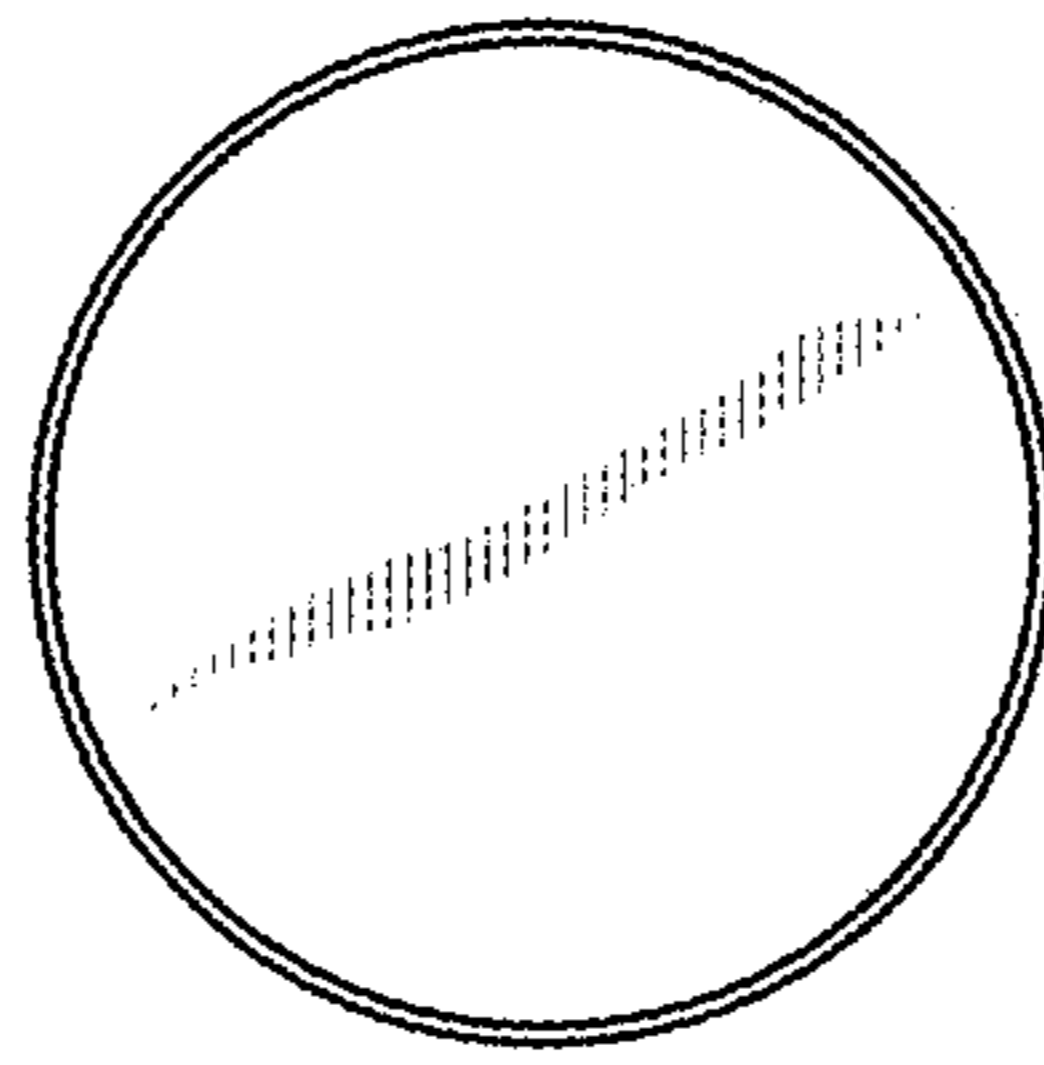


FIG. 6

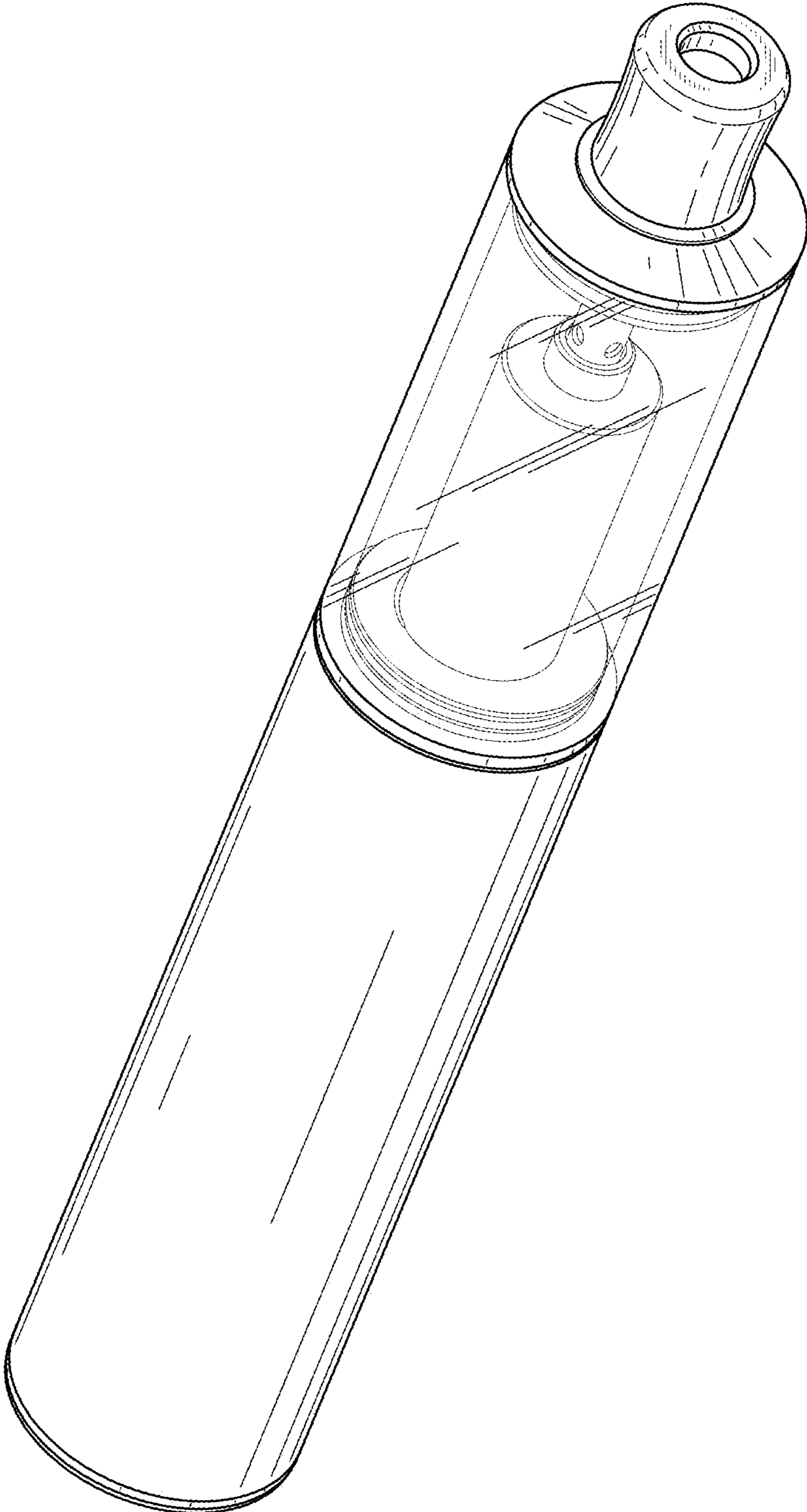


FIG. 7