



US00D980508S

(12) **United States Design Patent** (10) **Patent No.:** **US D980,508 S**  
**Liu** (45) **Date of Patent:** **\*\* Mar. 7, 2023**

(54) **HEATING ELEMENT FOR ELECTRONIC CIGARETTE**

(71) Applicant: **Shenzhen Eigate Technology Co., Ltd.**, Shenzhen (CN)

(72) Inventor: **Tuanfang Liu**, Shenzhen (CN)

(73) Assignee: **ASPIRE NORTH AMERICA LLC**

(\*\*) Term: **15 Years**

(21) Appl. No.: **29/801,633**

(22) Filed: **Jul. 29, 2021**

(30) **Foreign Application Priority Data**

Feb. 2, 2021 (CN) ..... 202130075425.X

(51) **LOC (14) Cl.** ..... **27-02**

(52) **U.S. Cl.**  
USPC ..... **D27/162**

(58) **Field of Classification Search**  
USPC ..... D27/162, 100, 101, 163-165, 167, 169,  
D27/172, 183, 185-192, 194;  
D13/107-109, 137.2; D14/435.1;  
D24/110, 110.5  
CPC ..... A61M 15/00; A61M 15/06  
See application file for complete search history.

(56) **References Cited**

**U.S. PATENT DOCUMENTS**

D817,543 S \* 5/2018 Liu ..... D27/167  
D927,058 S \* 8/2021 Liu ..... D27/162  
11,219,724 B2 \* 1/2022 Liu ..... H05B 3/04

D943,174 S \* 2/2022 Liu ..... D27/162  
D943,178 S \* 2/2022 Liu ..... D27/162  
D955,632 S \* 6/2022 Liu ..... D27/162  
D960,436 S \* 8/2022 Liu ..... D27/162  
D960,442 S \* 8/2022 Liu ..... D27/162  
D960,443 S \* 8/2022 Liu ..... D27/162  
2021/0106056 A1 \* 4/2021 Liu ..... H05B 3/16  
2021/0106057 A1 \* 4/2021 Liu ..... H05B 3/46  
2021/0212372 A1 \* 7/2021 Liu ..... A24F 40/485  
2021/0410230 A1 \* 12/2021 Liu ..... A24F 40/46  
2021/0410233 A1 \* 12/2021 Liu ..... A24F 40/46  
2022/0061386 A1 \* 3/2022 Liu ..... A24F 40/46  
2022/0071287 A1 \* 3/2022 Liu ..... H05B 3/10  
2022/0163195 A1 \* 5/2022 Liu ..... H05B 3/16  
2022/0201801 A1 \* 6/2022 Liu ..... A24F 40/485

\* cited by examiner

*Primary Examiner* — Rebecca Tsehaye

(74) *Attorney, Agent, or Firm* — Matthias Scholl P.C.;  
Matthias Scholl

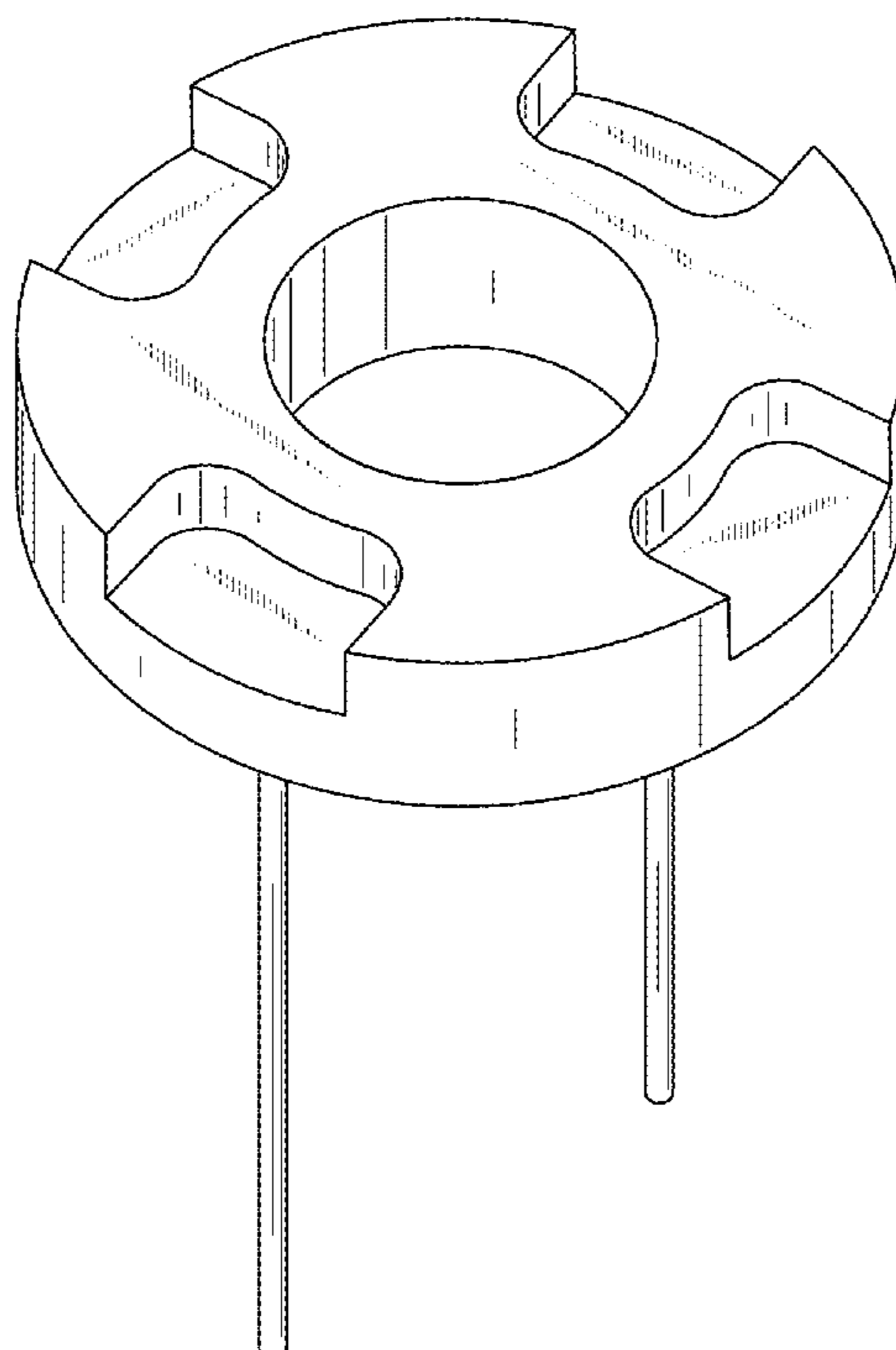
(57) **CLAIM**

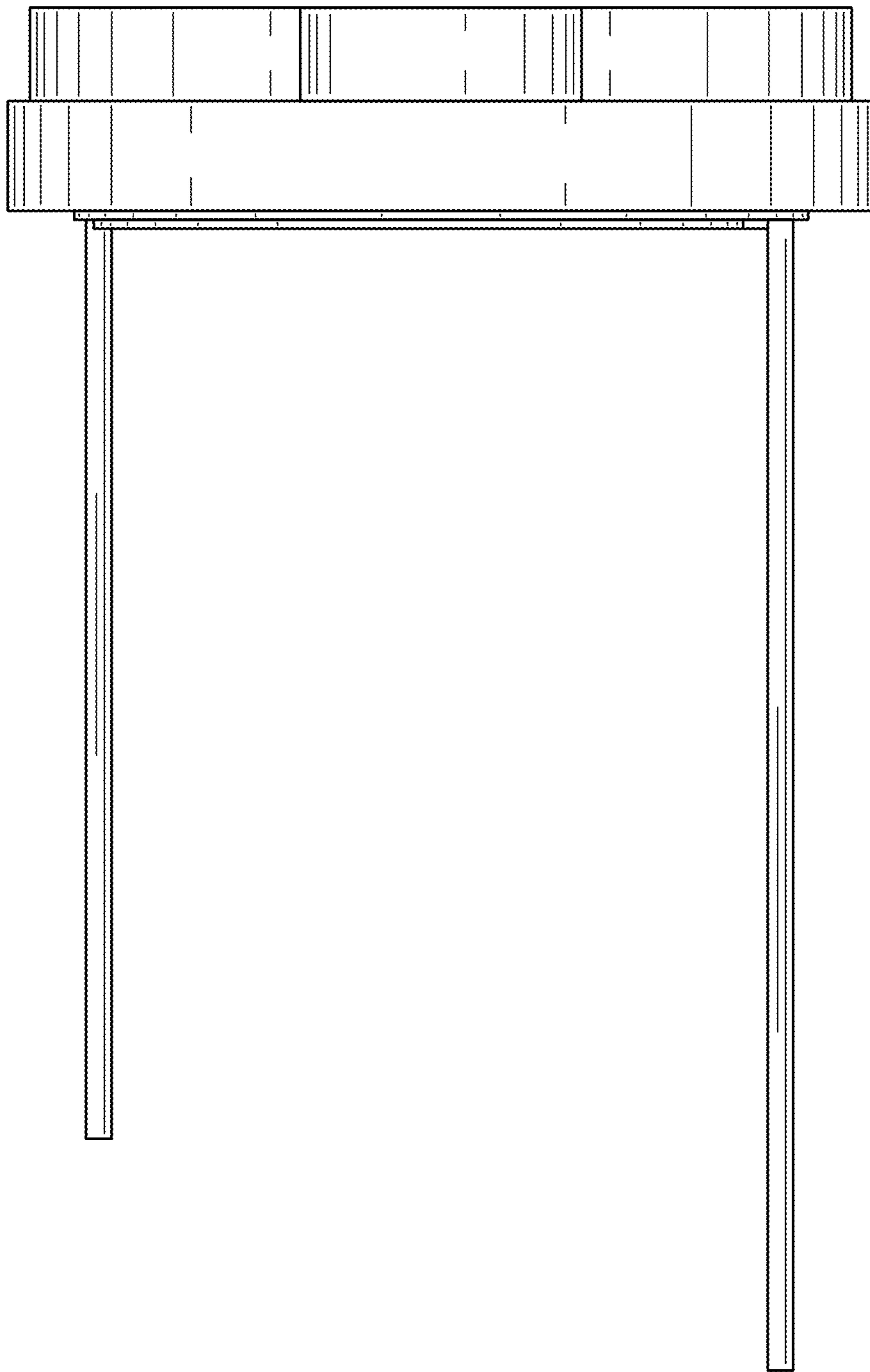
The ornamental design for a heating element for an electronic cigarette, as shown and described.

**DESCRIPTION**

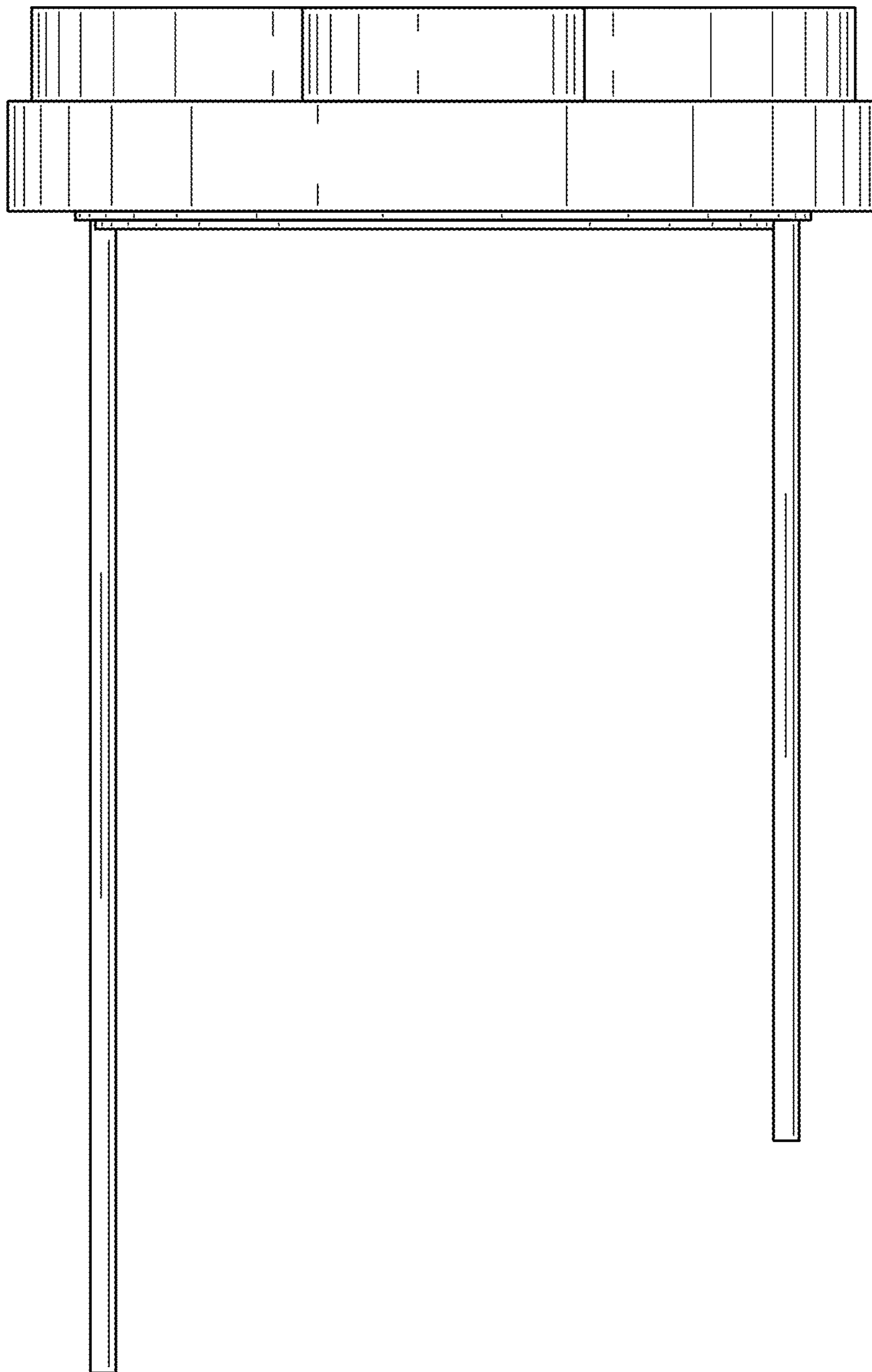
FIG. 1 is a front elevation view of a heating element for an electronic cigarette, showing my new design;  
FIG. 2 is a rear elevation view thereof;  
FIG. 3 is a left-side elevation view thereof;  
FIG. 4 is a right-side elevation view thereof;  
FIG. 5 is a top plan view thereof;  
FIG. 6 is a bottom plan view thereof;  
FIG. 7 is a perspective view thereof; and,  
FIG. 8 is a bottom perspective view thereof.

**1 Claim, 8 Drawing Sheets**





**FIG. 1**



**FIG. 2**

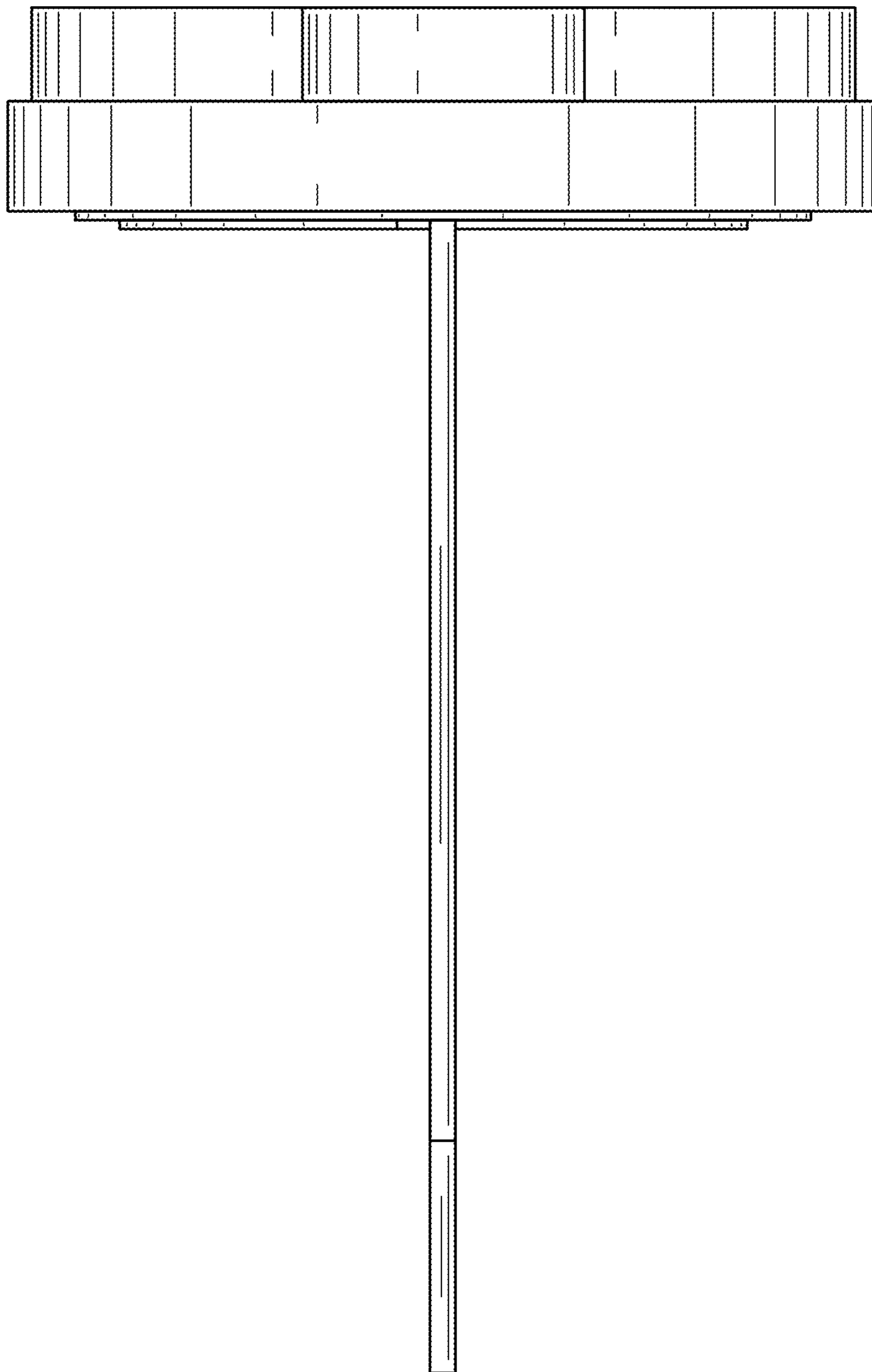


FIG. 3

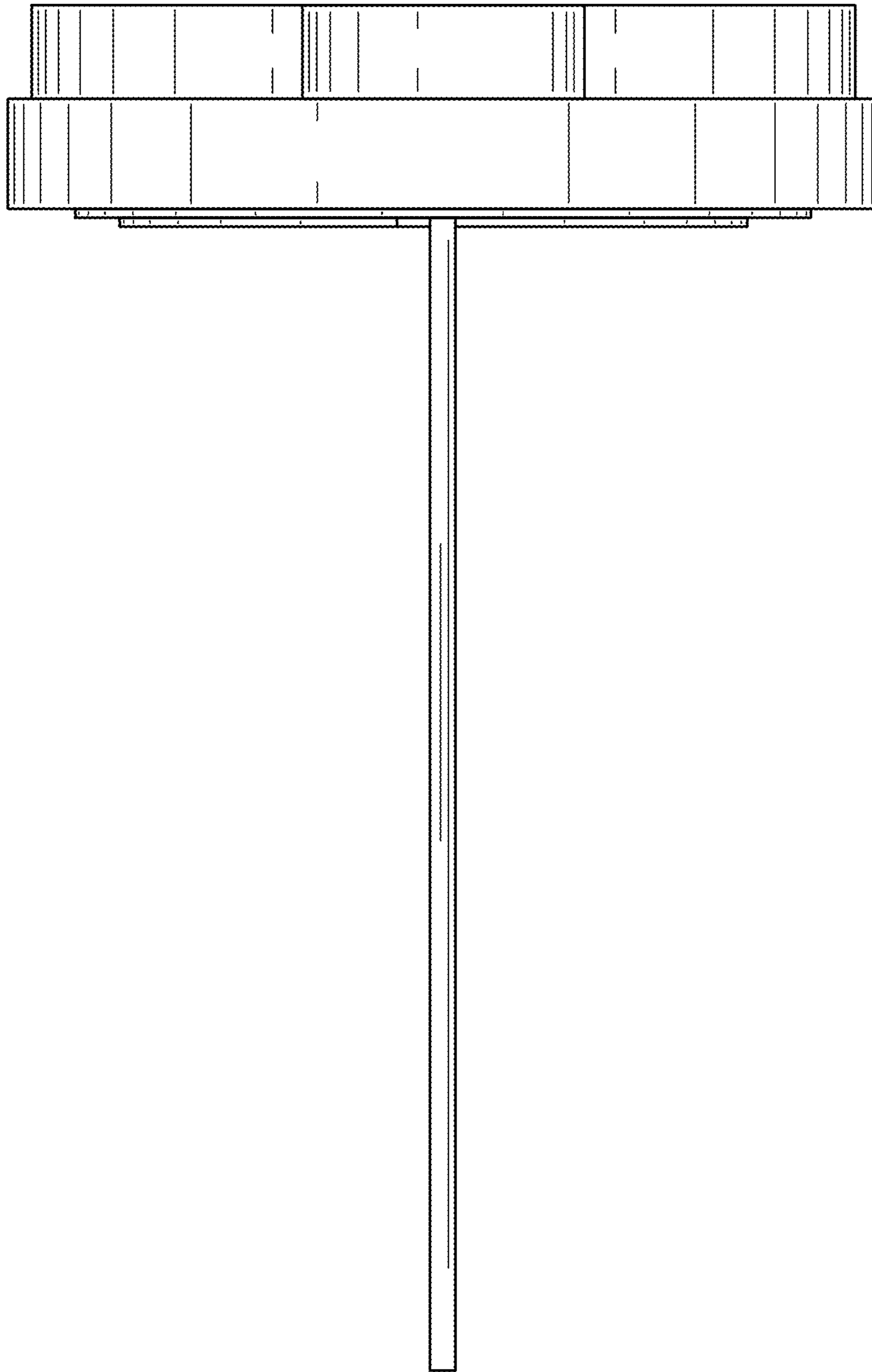
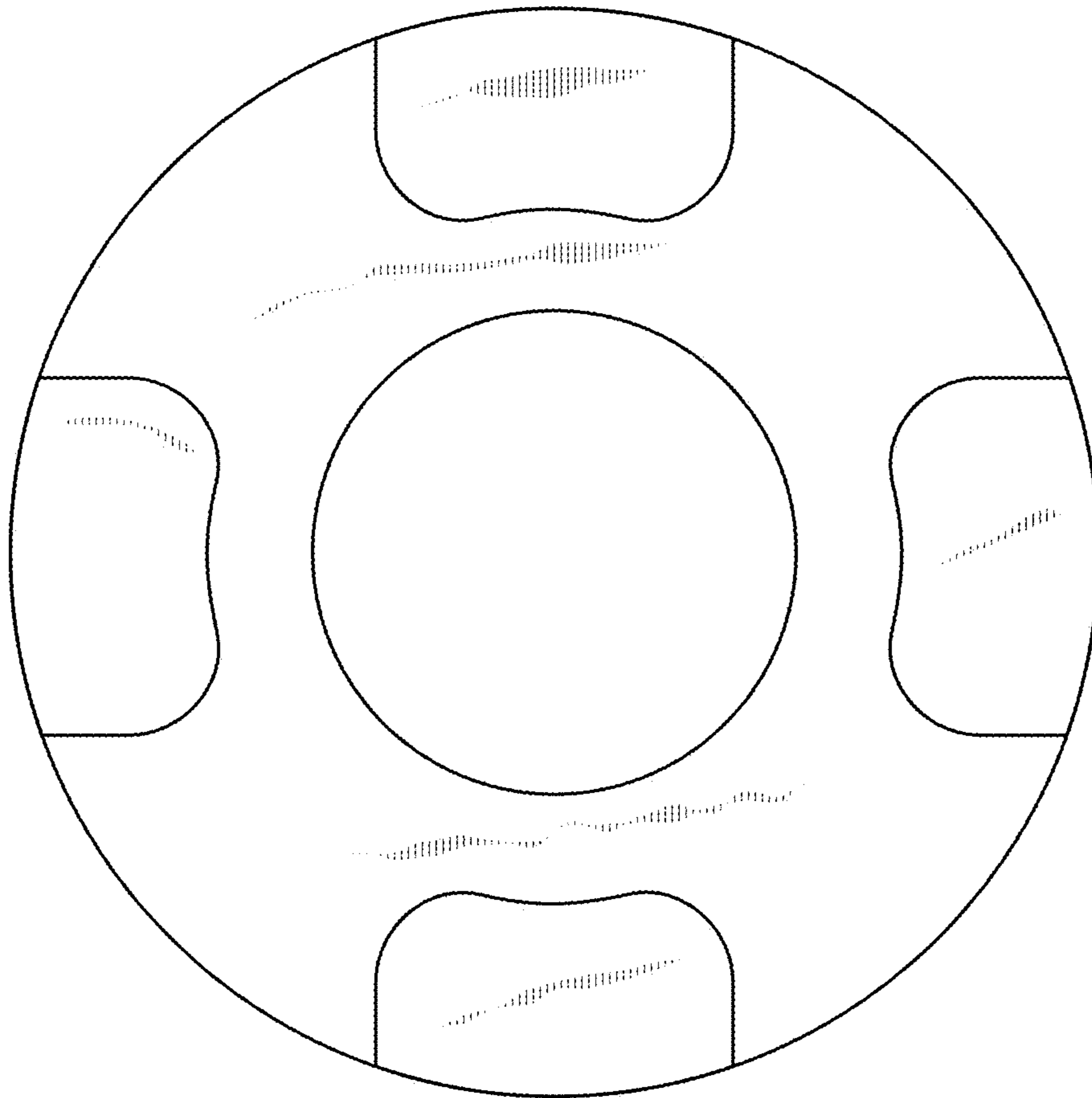
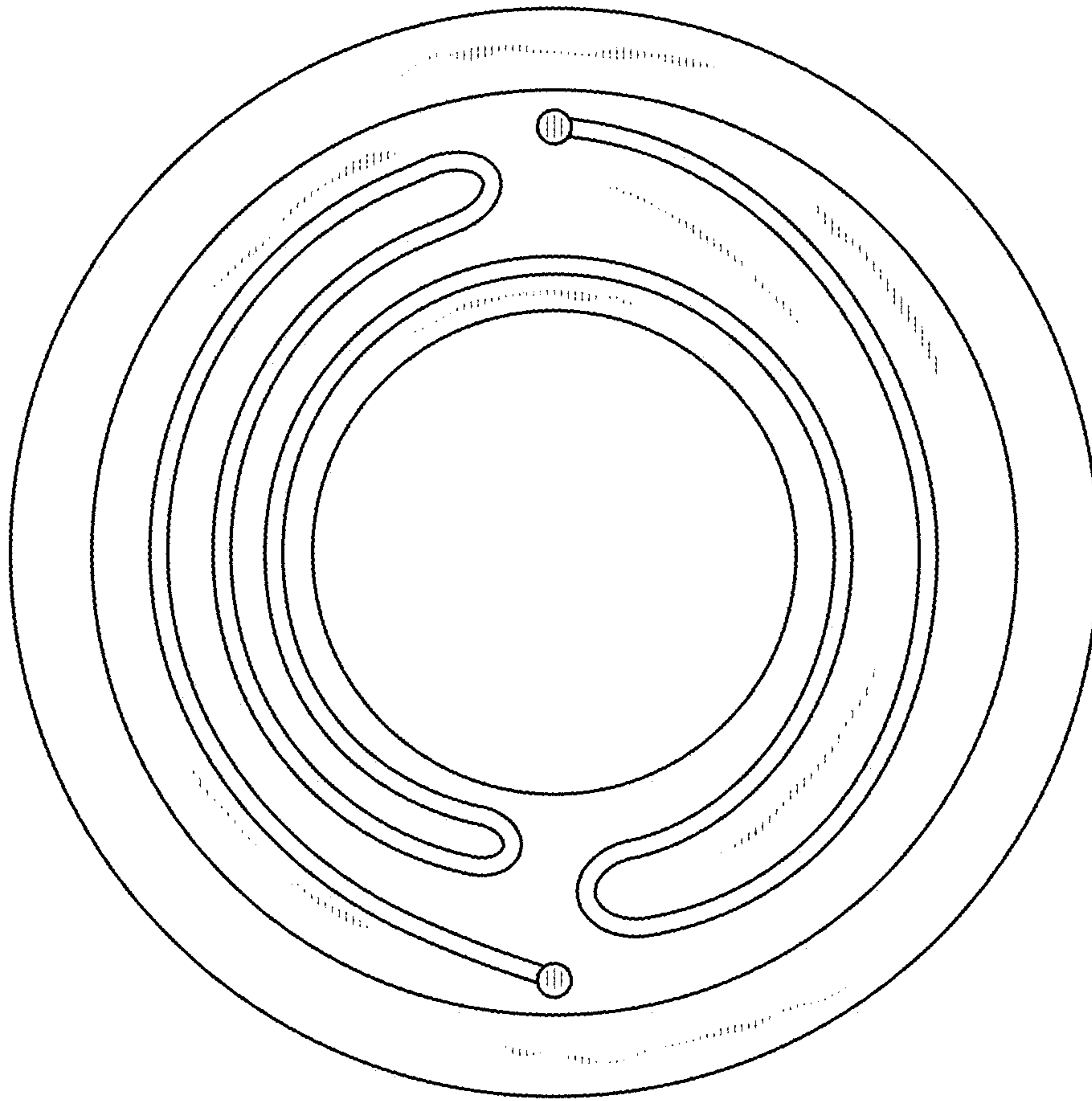


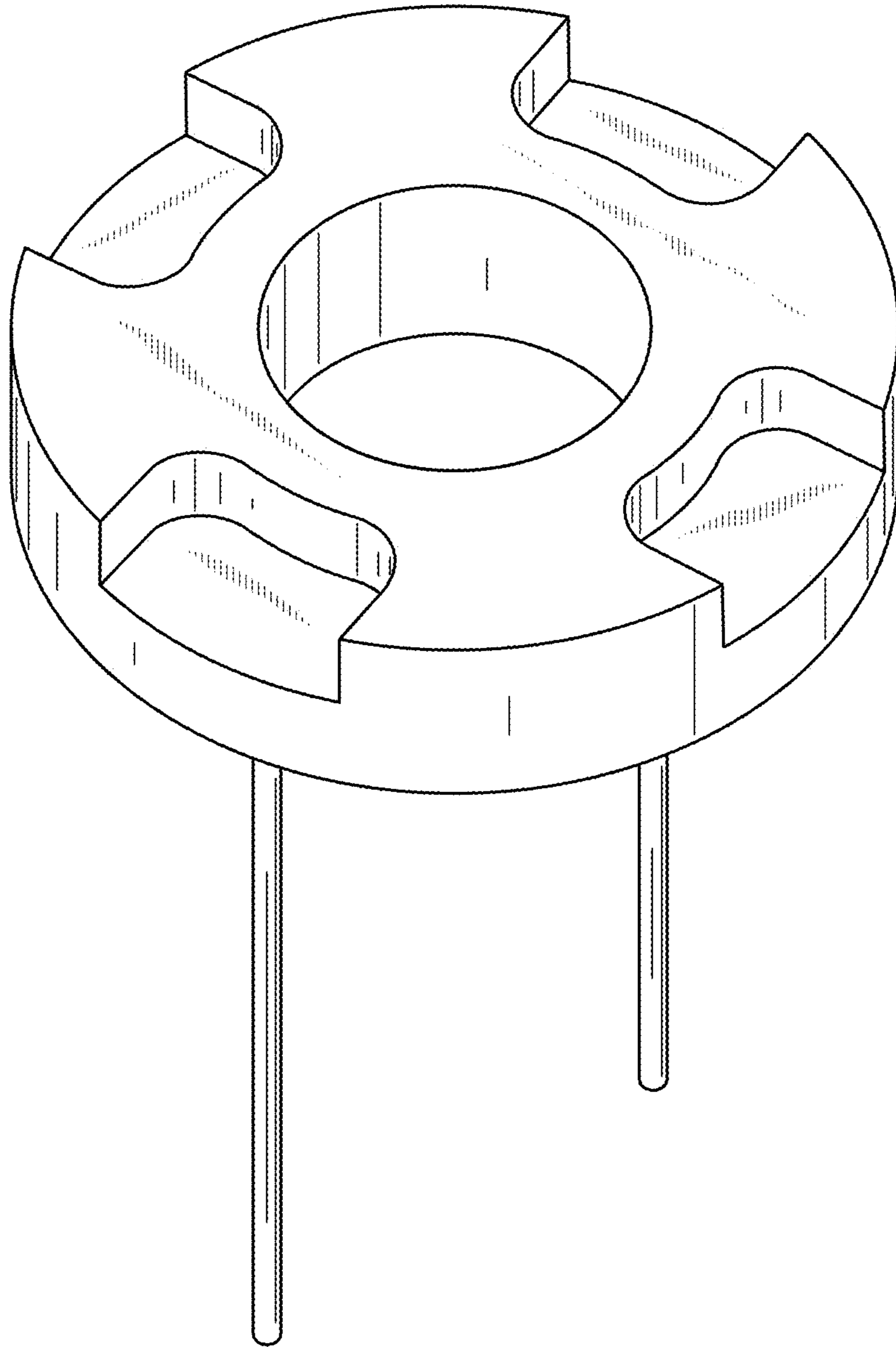
FIG. 4



**FIG. 5**

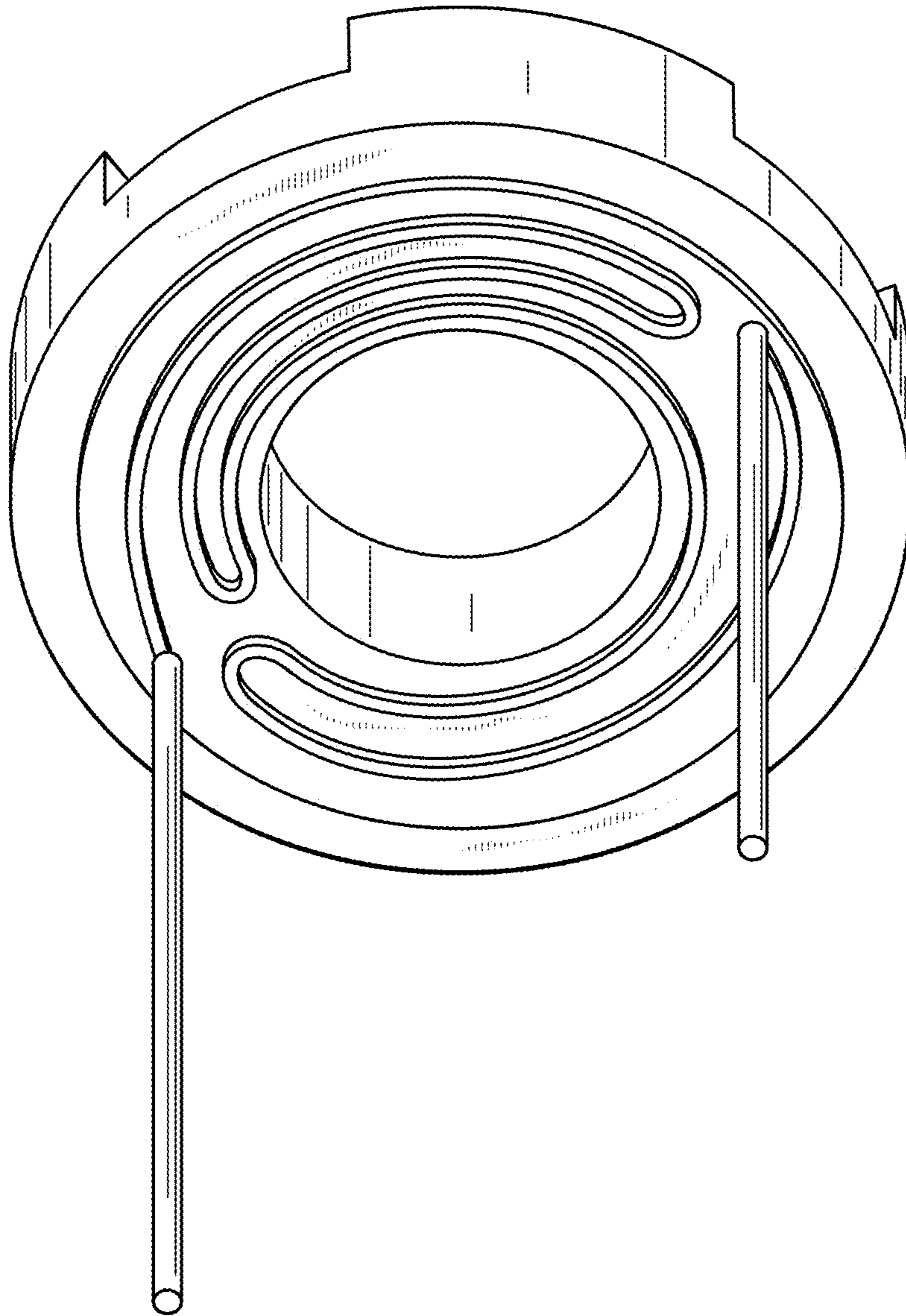


**FIG. 6**



**FIG. 7**





**FIG. 8**