



US00D980506S

(12) **United States Design Patent**
Ochiai

(10) **Patent No.:** **US D980,506 S**
(45) **Date of Patent:** **** Mar. 7, 2023**

- (54) **CIGARETTE LIGHTER**
- (71) Applicant: **Tokai Seiki Co. (HK), Ltd.**, Tuen Mun (HK)
- (72) Inventor: **Yuzo Ochiai**, Shizuoka (JP)
- (73) Assignee: **TOKAI SEIKI CO. (HK), LTD.**, Tuen Mun (HK)

| | | | | |
|-------------------|---------|----------|-------|-----------------------|
| D572,404 S * | 7/2008 | Franco | | D27/142 |
| D572,405 S * | 7/2008 | Yang | | D27/154 |
| D635,713 S * | 4/2011 | Lefebvre | | D27/154 |
| D760,428 S * | 6/2016 | Rahbar | | D27/141 |
| D807,575 S * | 1/2018 | Luo | | D27/141 |
| D835,838 S * | 12/2018 | Luo | | D27/156 |
| D860,518 S * | 9/2019 | Pan | | D27/141 |
| D949,461 S * | 4/2022 | Kassir | | D27/156 |
| 2012/0251961 A1 * | 10/2012 | Lee | | F23Q 2/164 431/274 |

(**) Term: **15 Years**

- (21) Appl. No.: **29/797,692**
- (22) Filed: **Jul. 1, 2021**
- (51) **LOC (14) Cl.** **27-05**
- (52) **U.S. Cl.**
USPC **D27/141**
- (58) **Field of Classification Search**
USPC D27/141, 139, 142, 148, 153, 154, 156,
D27/157, 158, 159, 161
CPC F23Q 2/00; F23Q 2/02; F23Q 2/16; F23Q
2/161; F23Q 2/162; F23Q 2/164; F23Q
2/167; F23Q 7/00; F23Q 7/14; F23Q
7/16; F23Q 7/24; F23Q 7/10
See application file for complete search history.

(56) **References Cited**
U.S. PATENT DOCUMENTS

| | | | | |
|--------------|---------|----------------------------|-------|---------|
| D294,524 S * | 3/1988 | Garcia de la Noceda Fierro | | D27/156 |
| D410,564 S * | 6/1999 | Sher | | D27/141 |
| D439,698 S * | 3/2001 | Fang | | D27/156 |
| D467,683 S * | 12/2002 | Lin | | D27/154 |
| D480,173 S * | 9/2003 | Li | | D27/156 |
| D548,882 S * | 8/2007 | Luo | | D27/158 |
| D550,896 S * | 9/2007 | Zhi | | D27/154 |
| D555,283 S * | 11/2007 | Luo | | D27/154 |

OTHER PUBLICATIONS

Simoneto Cool Disposable Stone Lighter By: Generisch found on Amazon (Sep. 9, 2022) https://www.amazon.com/Simoneto-Disposable-Lighter-Transparent-Colourful/dp/B0B5GN9BCJ/ref=sr_1_133?crd=LPVPL59CY9JA&keywords= (Jun. 30, 2022).*

* cited by examiner

Primary Examiner — Rebecca Tsehaye
(74) *Attorney, Agent, or Firm* — Trojan Law Offices

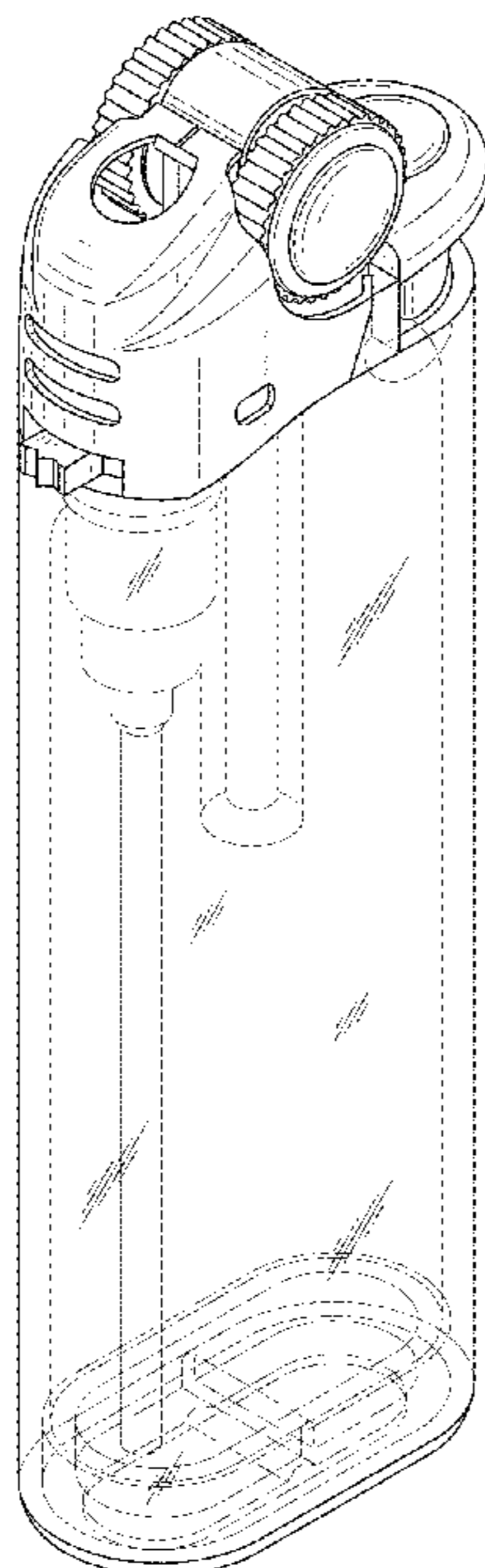
(57) **CLAIM**

The ornamental design for a cigarette lighter, as shown and described.

DESCRIPTION

FIG. 1 is a front perspective view of a cigarette lighter showing my new design.
FIG. 2 is a left view of the cigarette lighter of FIG. 1;
FIG. 3 is a front view of the cigarette lighter of FIG. 1;
FIG. 4 is a back view of the cigarette lighter of FIG. 1;
FIG. 5 is a top view of the cigarette lighter of FIG. 1; and,
FIG. 6 is a bottom view of the cigarette lighter of FIG. 1.
The broken lines in the drawings depict portions of the cigarette lighter that form no part of the claimed design.

1 Claim, 4 Drawing Sheets



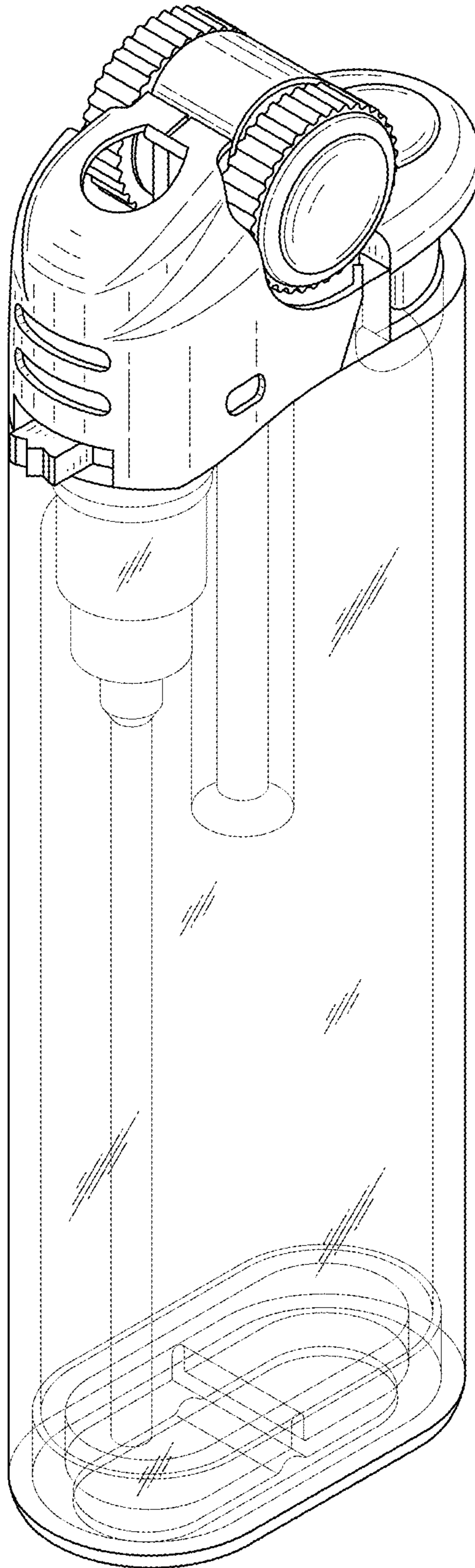


FIG. 1

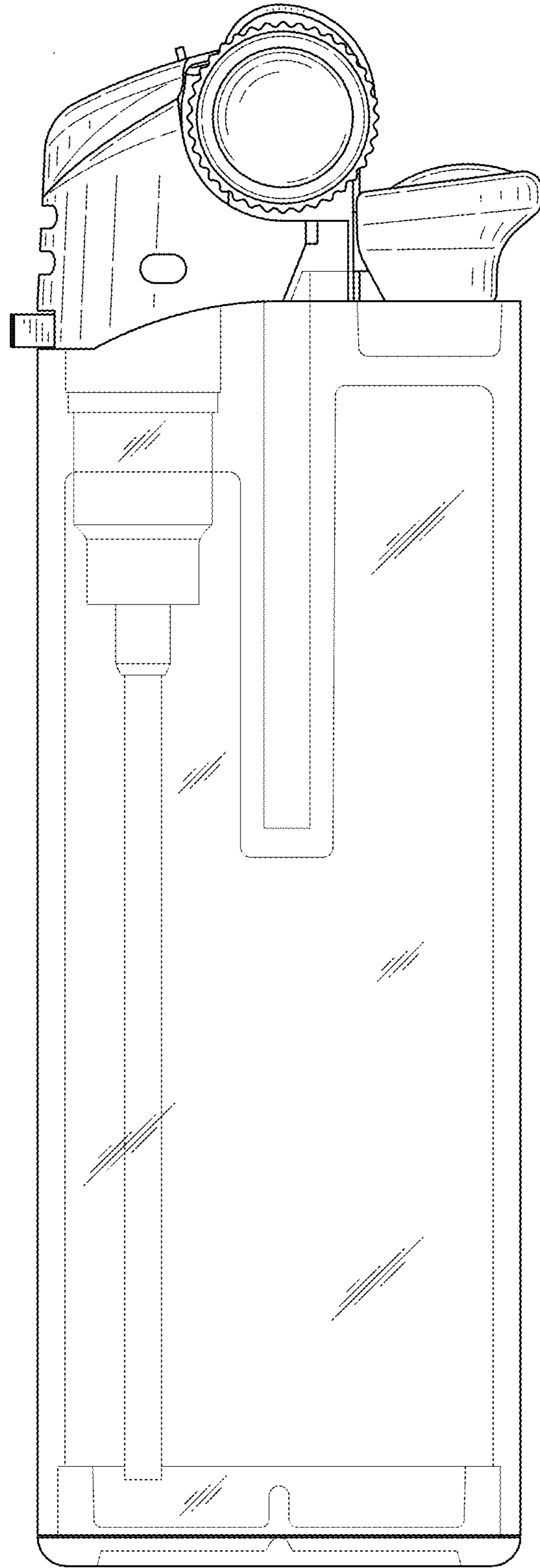


FIG. 2

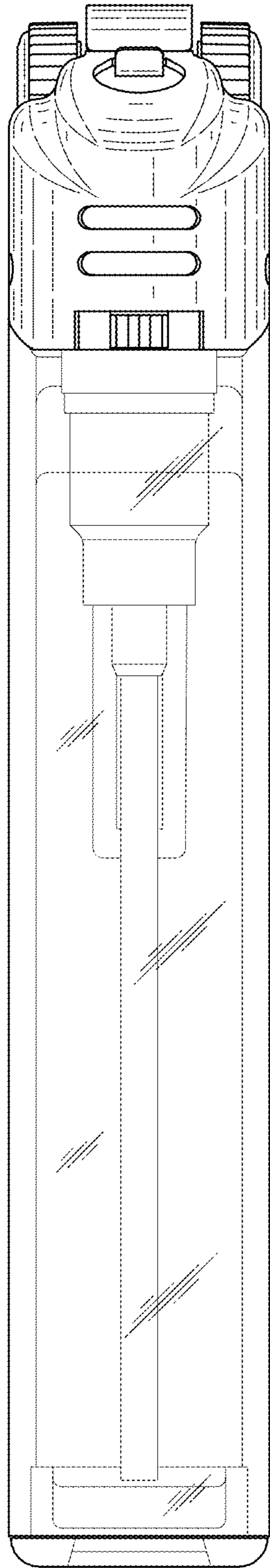


FIG. 3

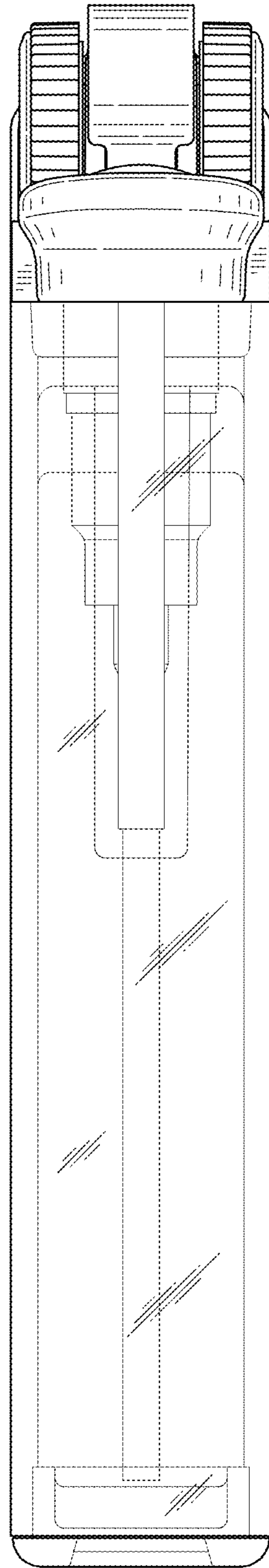


FIG. 4

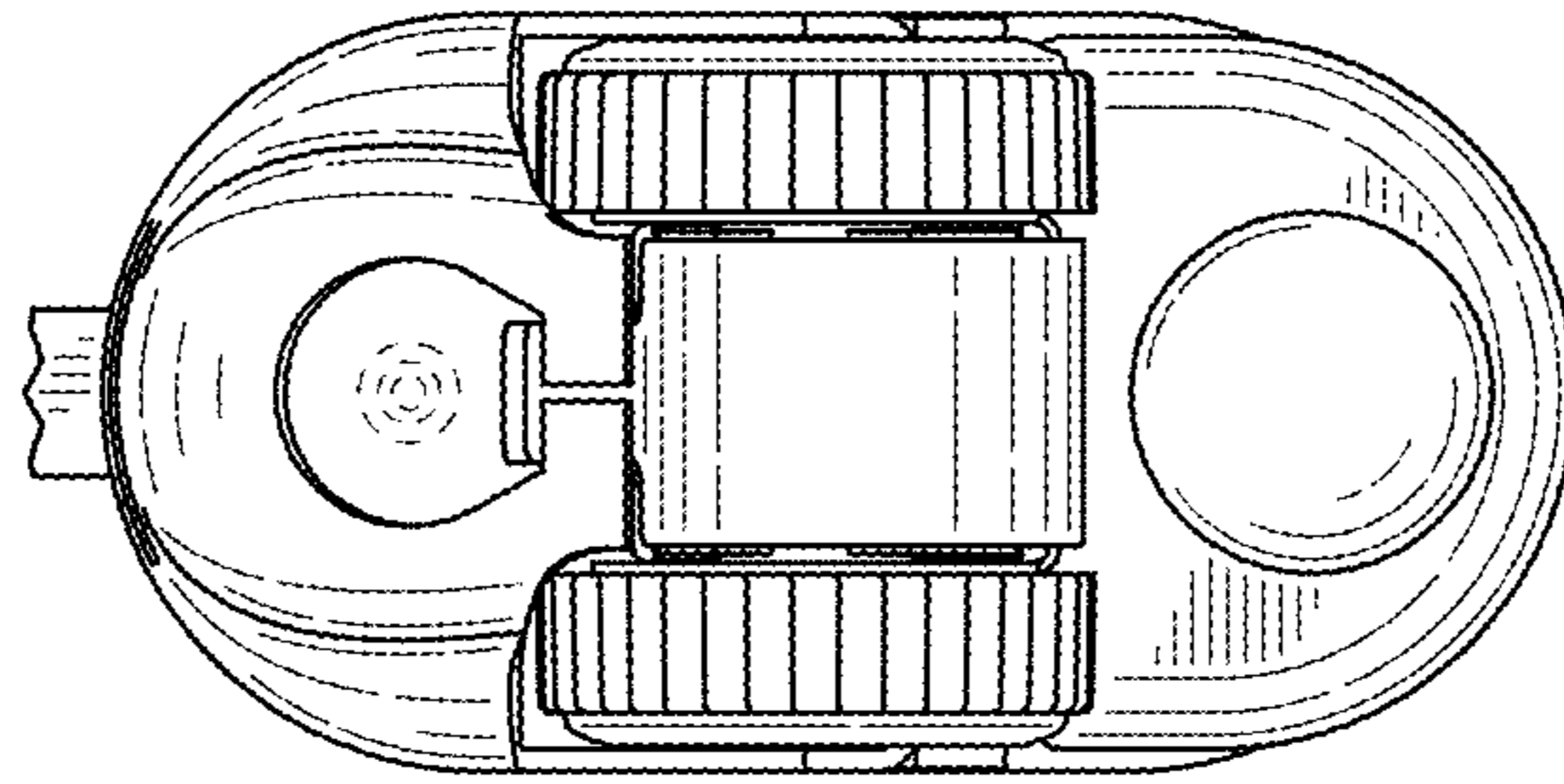


FIG. 5

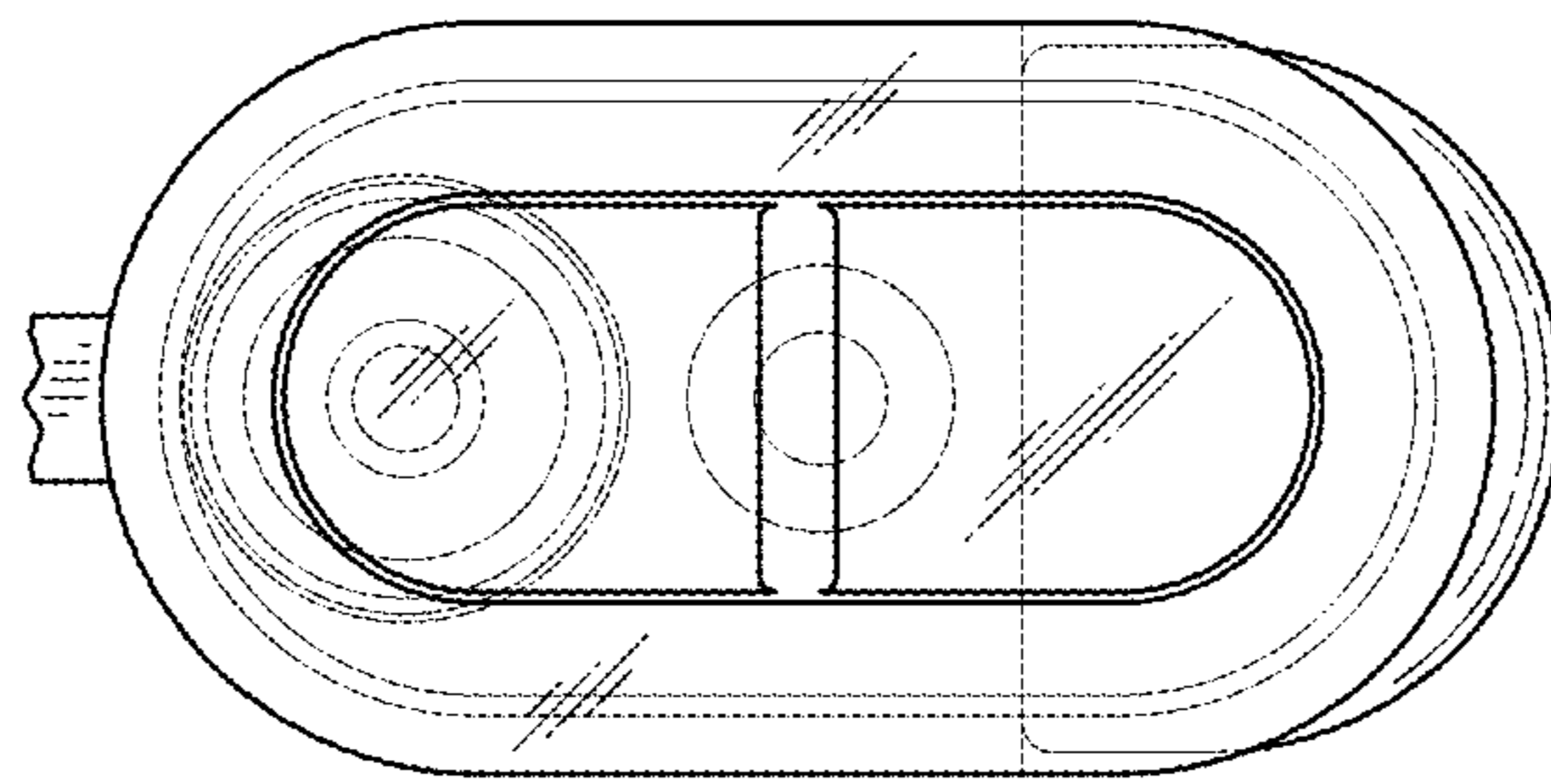


FIG. 6