



US00D980503S

(12) **United States Design Patent** (10) **Patent No.:** **US D980,503 S**
Deng (45) **Date of Patent:** **** Mar. 7, 2023**

- (54) **EXPLOSION-PROOF LAMP**
- (71) Applicant: **EPC PRODUCT LLC**, Rancho Dominguez, CA (US)
- (72) Inventor: **Jinsheng Deng**, Rancho Dominguez, CA (US)
- (73) Assignee: **EPC PRODUCT LLC**, Rancho Dominguez, CA (US)
- (**) Term: **15 Years**
- (21) Appl. No.: **29/720,131**
- (22) Filed: **Jan. 10, 2020**
- (51) **LOC (14) Cl.** **26-05**
- (52) **U.S. Cl.**
USPC **D26/119**; D26/88; D26/118
- (58) **Field of Classification Search**
USPC D26/24, 63, 72, 76, 77, 78, 81, 88, 90, D26/118, 119, 87; 362/185
CPC F21V 15/00; F21V 15/01; F21V 15/02; F21V 15/04; F21V 1/02; F21V 1/04; F21V 1/08; F21V 29/506; F21V 29/507; F21V 31/00; F21S 8/03; F21S 8/04; F21S 8/06; F21S 8/033; F21S 8/036; F21S 8/043; F21S 8/061; F21S 8/086; F21S 9/022; F21W 2131/10; F21W 2131/40; F21W 2131/101; F21W 2131/103; F21W 2131/105; F21W 2131/107; F21W 2131/402; F21W 2131/407; F21W 2131/409; F21W 2131/1005
See application file for complete search history.

D291,835 S *	9/1987	Michael	D26/129
D343,252 S *	1/1994	Belisle	D26/88
D384,430 S *	9/1997	Lecluze	D26/24
D402,075 S *	12/1998	Hudak	D26/88
D402,773 S *	12/1998	Lo	D26/24
D418,938 S *	1/2000	McCartney	D26/88
D428,512 S *	7/2000	Minissi	D26/88
D430,687 S *	9/2000	Landefeld	D26/24
D443,379 S *	6/2001	Xu	D26/87
D582,600 S *	12/2008	Guercio	D26/88
D592,792 S *	5/2009	Keller	D26/88
D634,456 S *	3/2011	Jones	D26/24
D652,969 S *	1/2012	Seropjan	D26/24
D673,319 S *	12/2012	Guercio	D26/87
D689,221 S *	9/2013	Isaac	D26/24
D735,908 S *	8/2015	Ko	D26/28
D738,558 S *	9/2015	Silver	D26/88
D803,453 S *	11/2017	Engle	D26/72
D806,299 S *	12/2017	Gebhard	D26/63
D868,334 S *	11/2019	Li	D26/72

(Continued)

Primary Examiner — Wan Laymon
Assistant Examiner — Clint A Samuel

(57) **CLAIM**

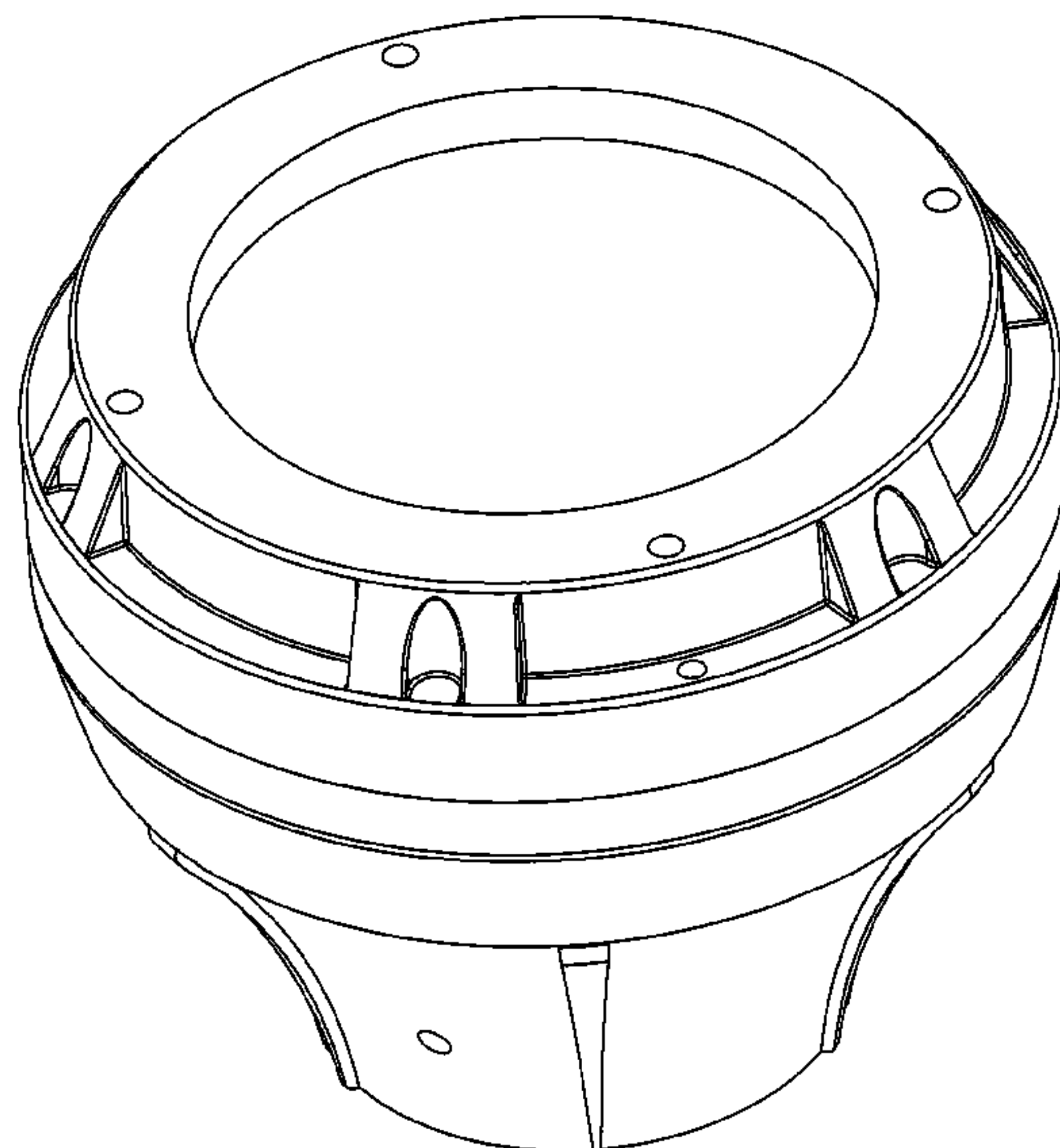
The ornamental design for an explosion-proof lamp, as shown and described.

DESCRIPTION

FIG. 1 is a perspective view of an explosion-proof lamp showing my new design;
FIG. 2 is a front elevation view thereof;
FIG. 3 is a rear elevation view thereof;
FIG. 4 is a left side elevation view thereof;
FIG. 5 is a right side elevation view thereof;
FIG. 6 is a top plan view thereof; and,
FIG. 7 is a bottom plan view thereof.
The broken lines depict portions of the explosion-proof lamp in which the design is embodied that form no part of the claimed design.

1 Claim, 7 Drawing Sheets

- (56) **References Cited**
U.S. PATENT DOCUMENTS
D92,618 S * 6/1934 Leinen D26/88
D92,636 S * 6/1934 Marshall D26/88
4,404,620 A * 9/1983 Takahashi F21V 7/09
362/297



(56)

References Cited

U.S. PATENT DOCUMENTS

D879,351 S * 3/2020 Deng D26/72
D939,130 S * 12/2021 Browning D26/88
D956,275 S * 6/2022 Zhao D26/24
D956,328 S * 6/2022 Owens D26/118
D956,342 S * 6/2022 Deng D26/119
D959,032 S * 7/2022 Chen D26/24
2011/0068692 A1 * 3/2011 Tian F21K 9/23
315/113
2011/0280021 A1 * 11/2011 Pollack, Jr. F21V 29/83
362/294
2013/0058106 A1 * 3/2013 Acampora F21V 33/006
362/368
2014/0268745 A1 * 9/2014 Van de Ven F21V 23/008
362/235
2016/0091175 A1 * 3/2016 Kim F21V 7/18
362/235
2020/0383181 A1 * 12/2020 Pearse F21K 9/237

* cited by examiner

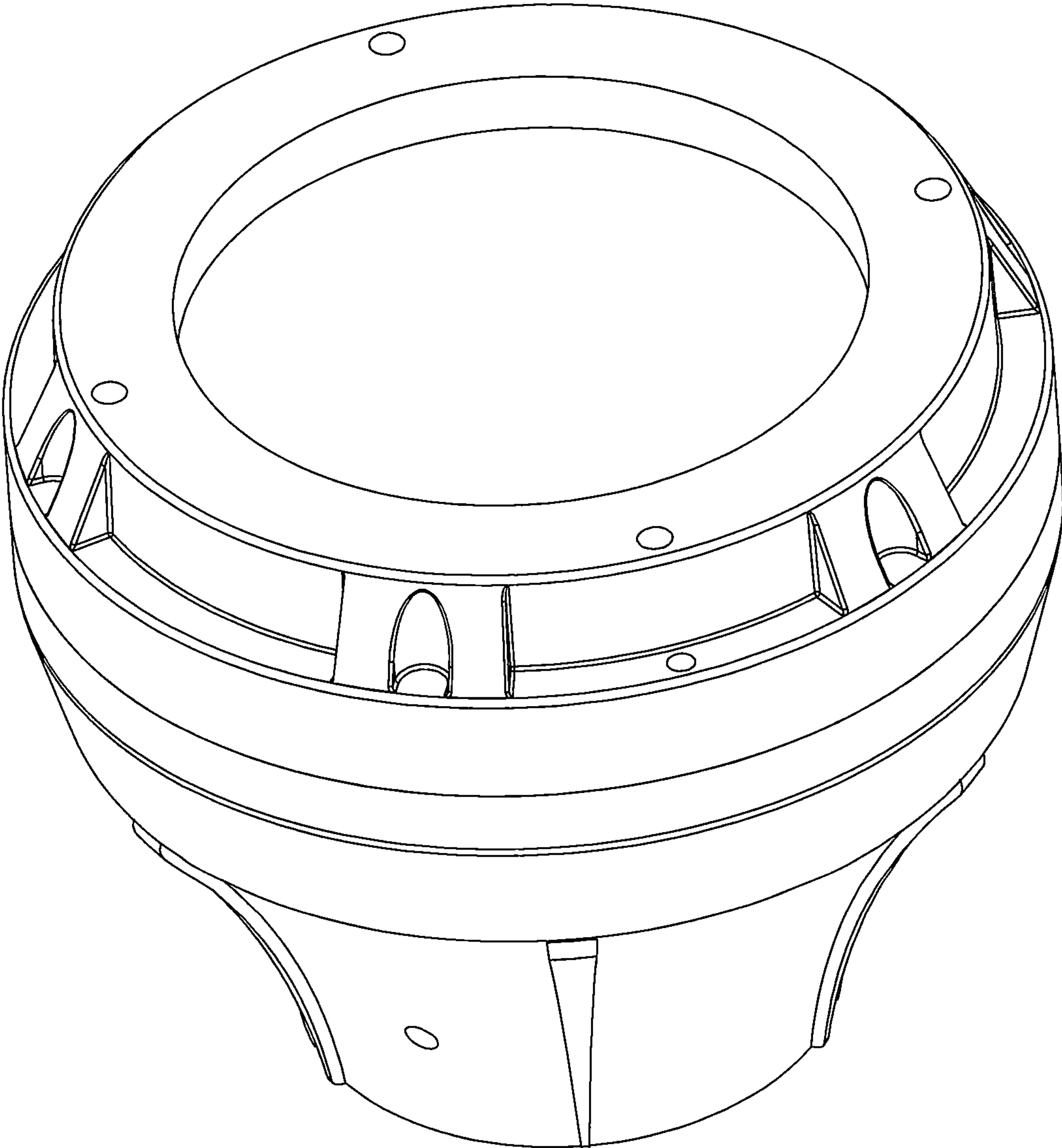


FIG. 1

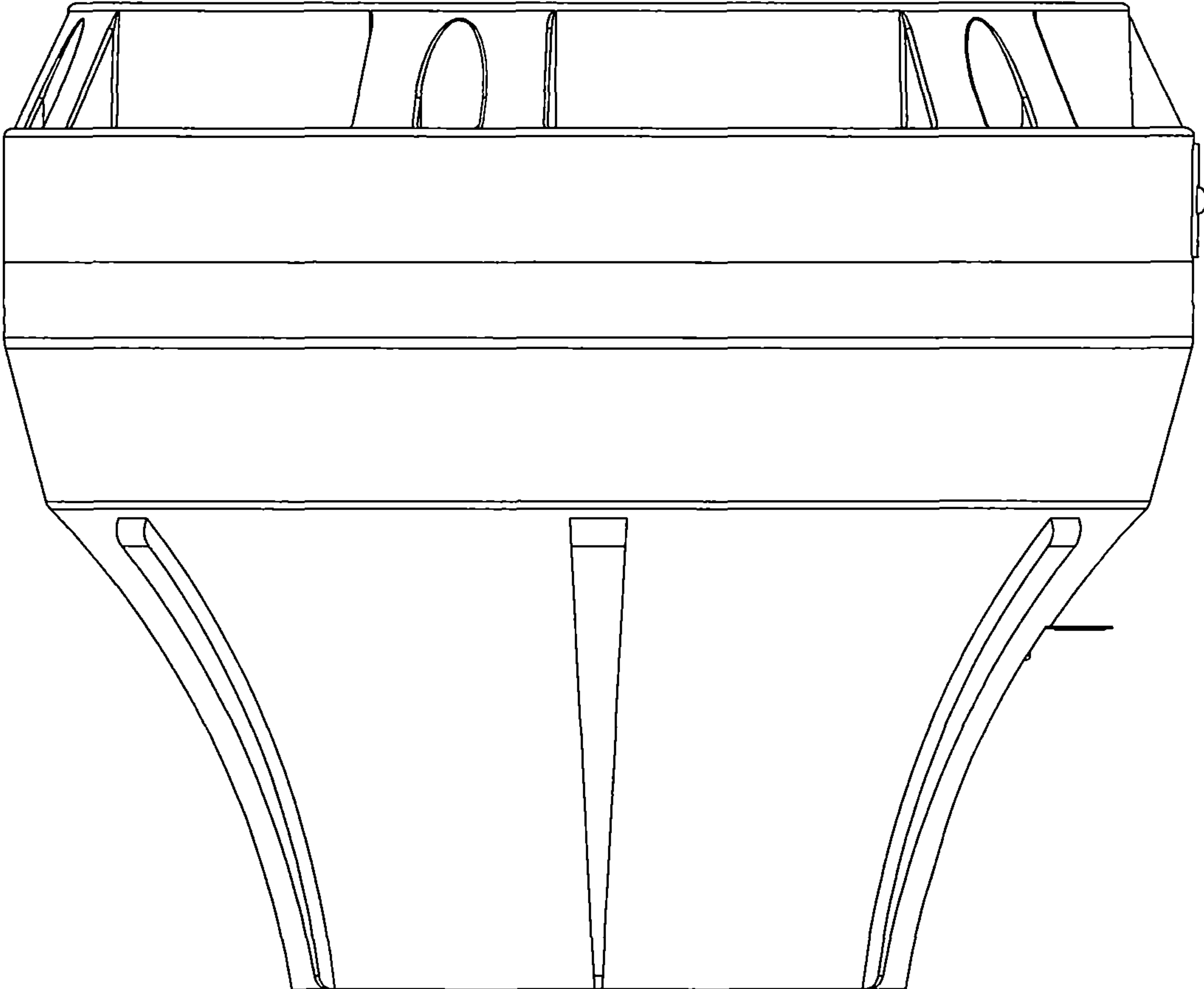


FIG. 2

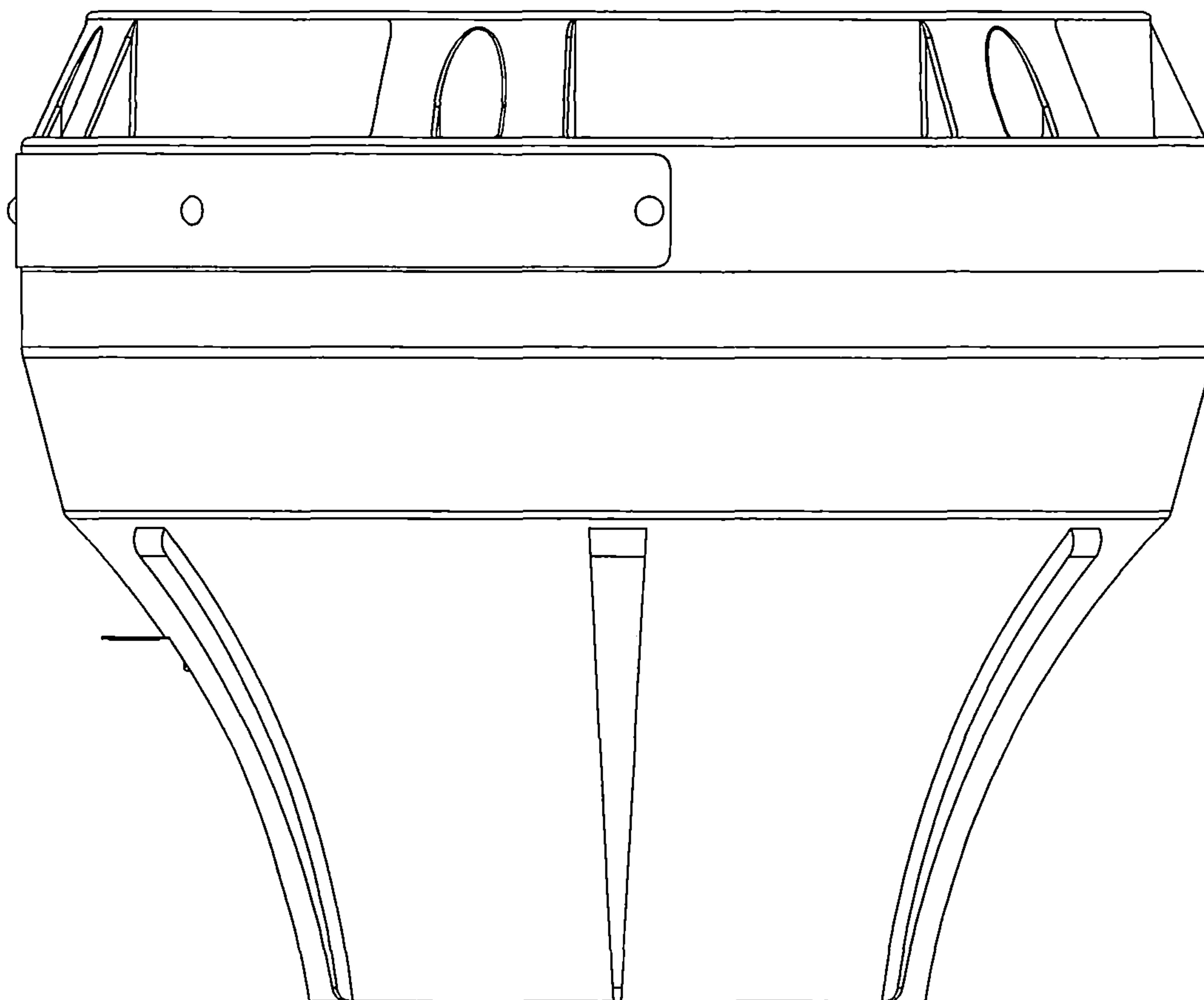


FIG. 3

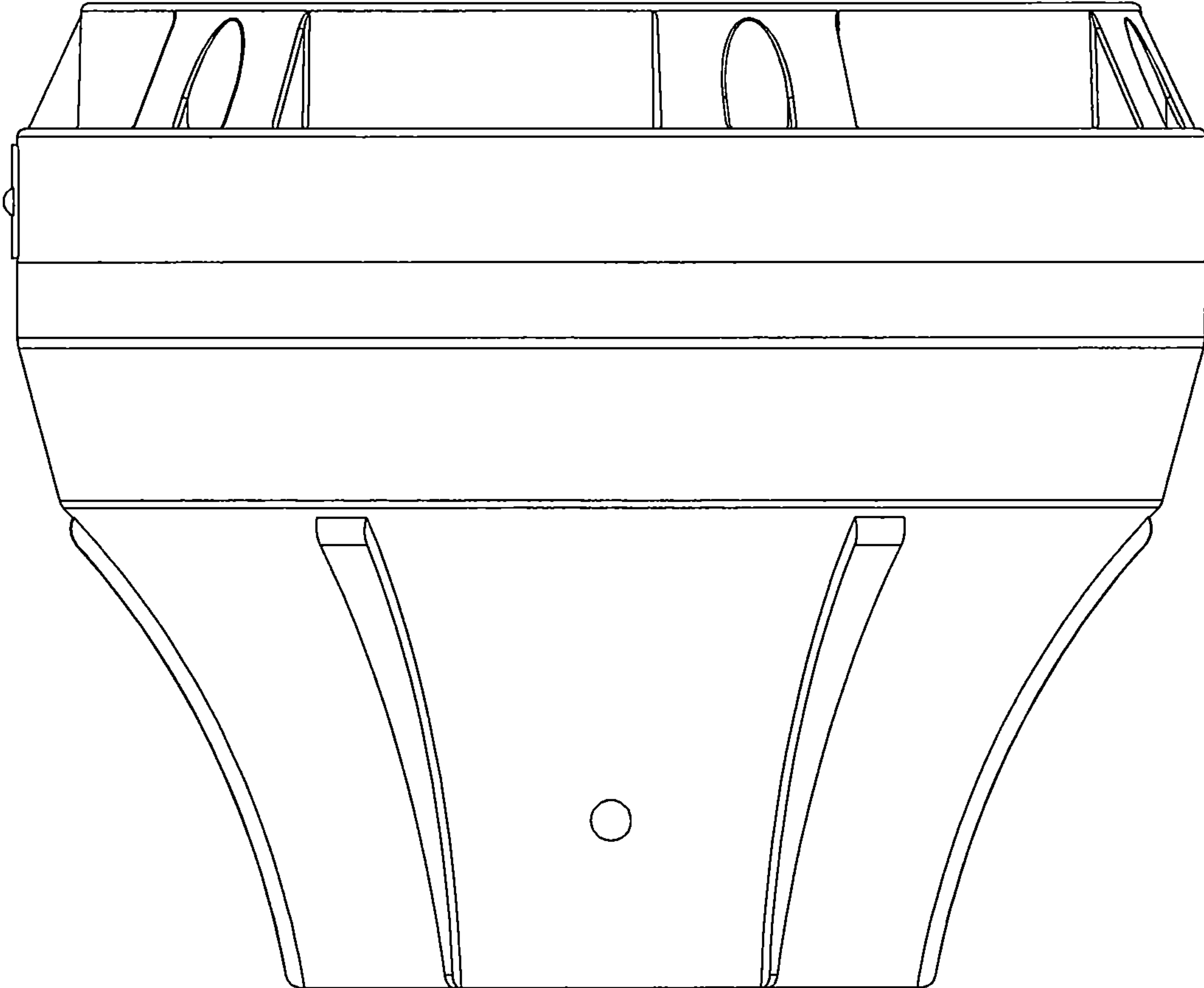


FIG. 4

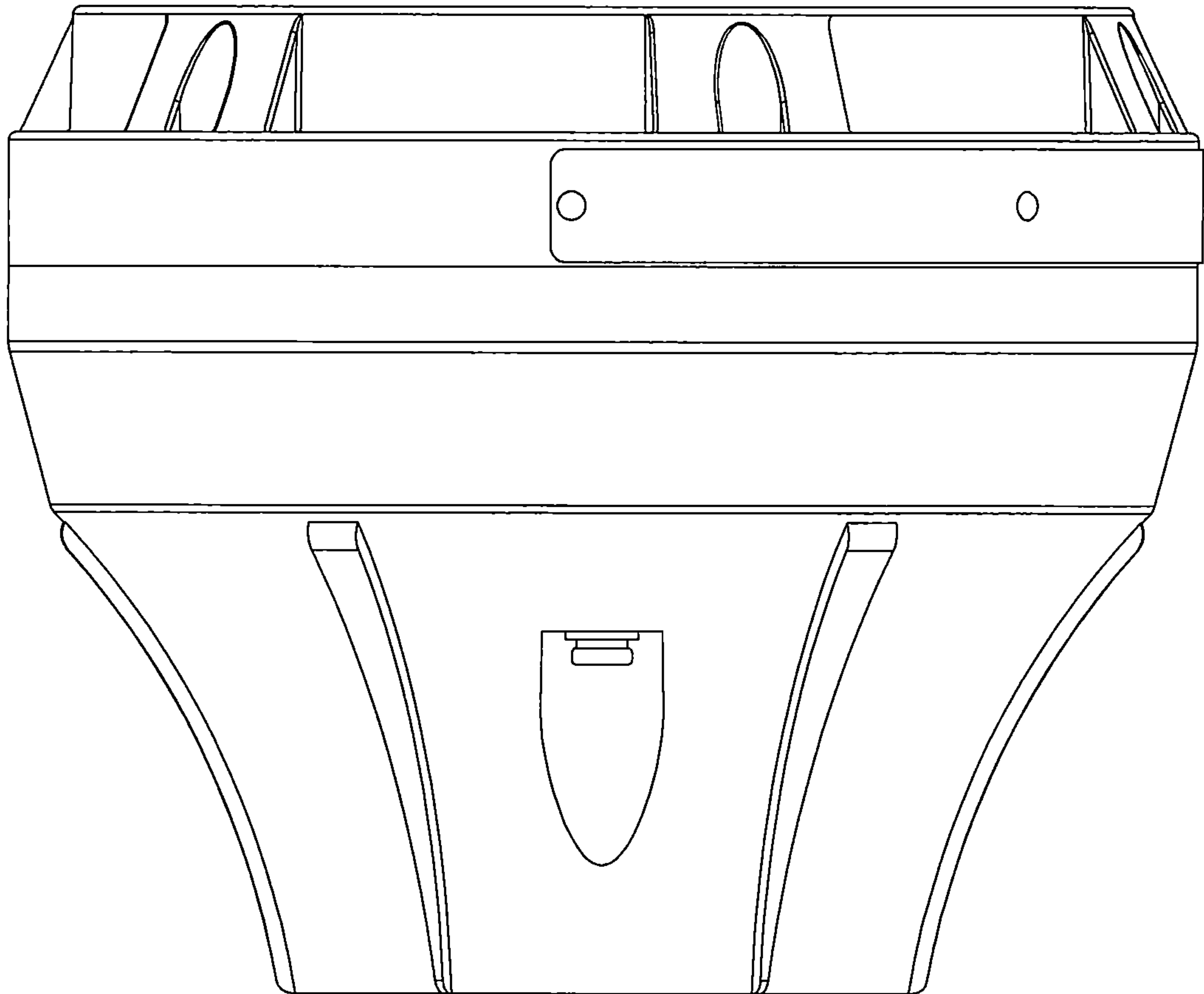


FIG. 5

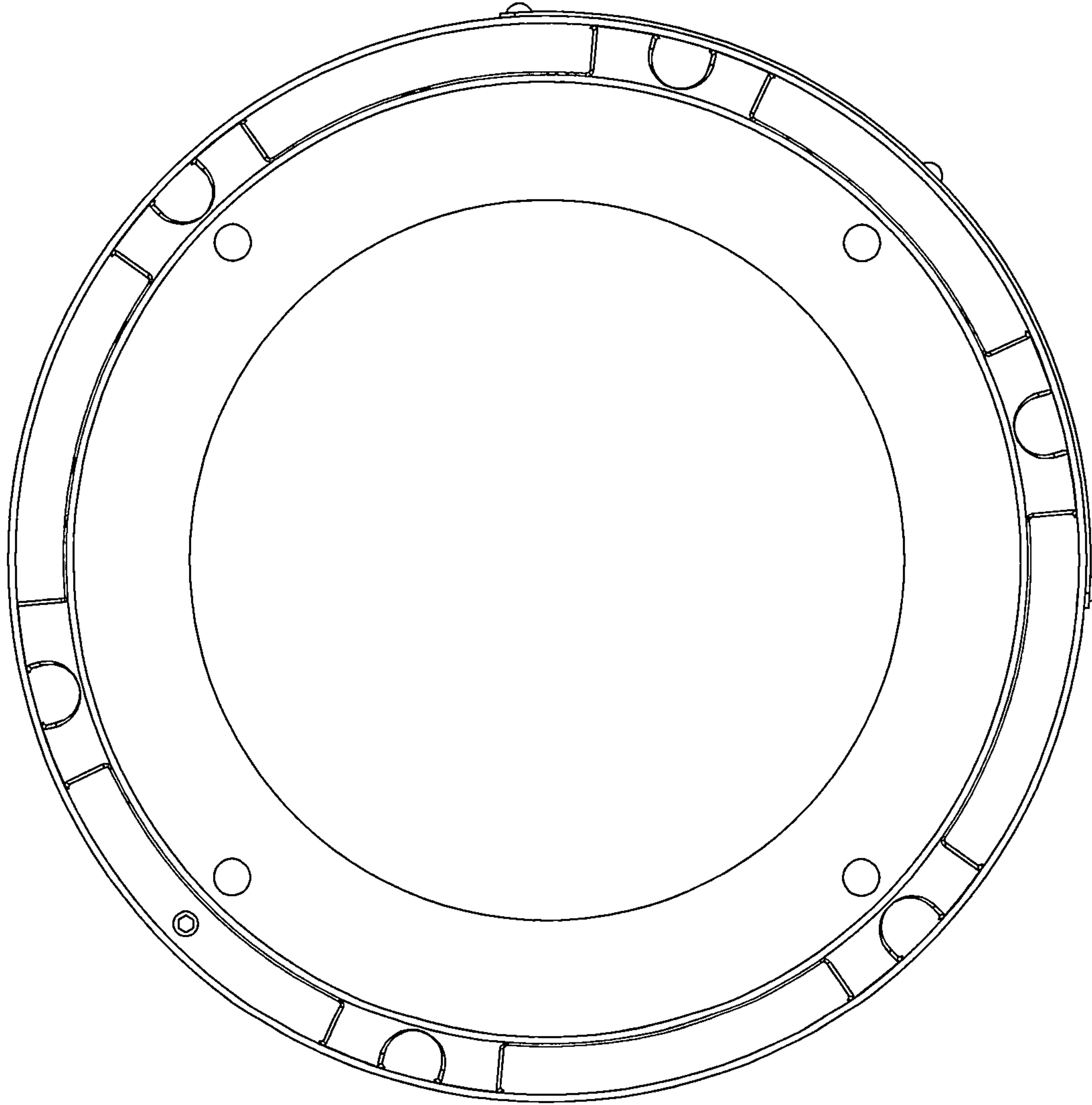


FIG. 6

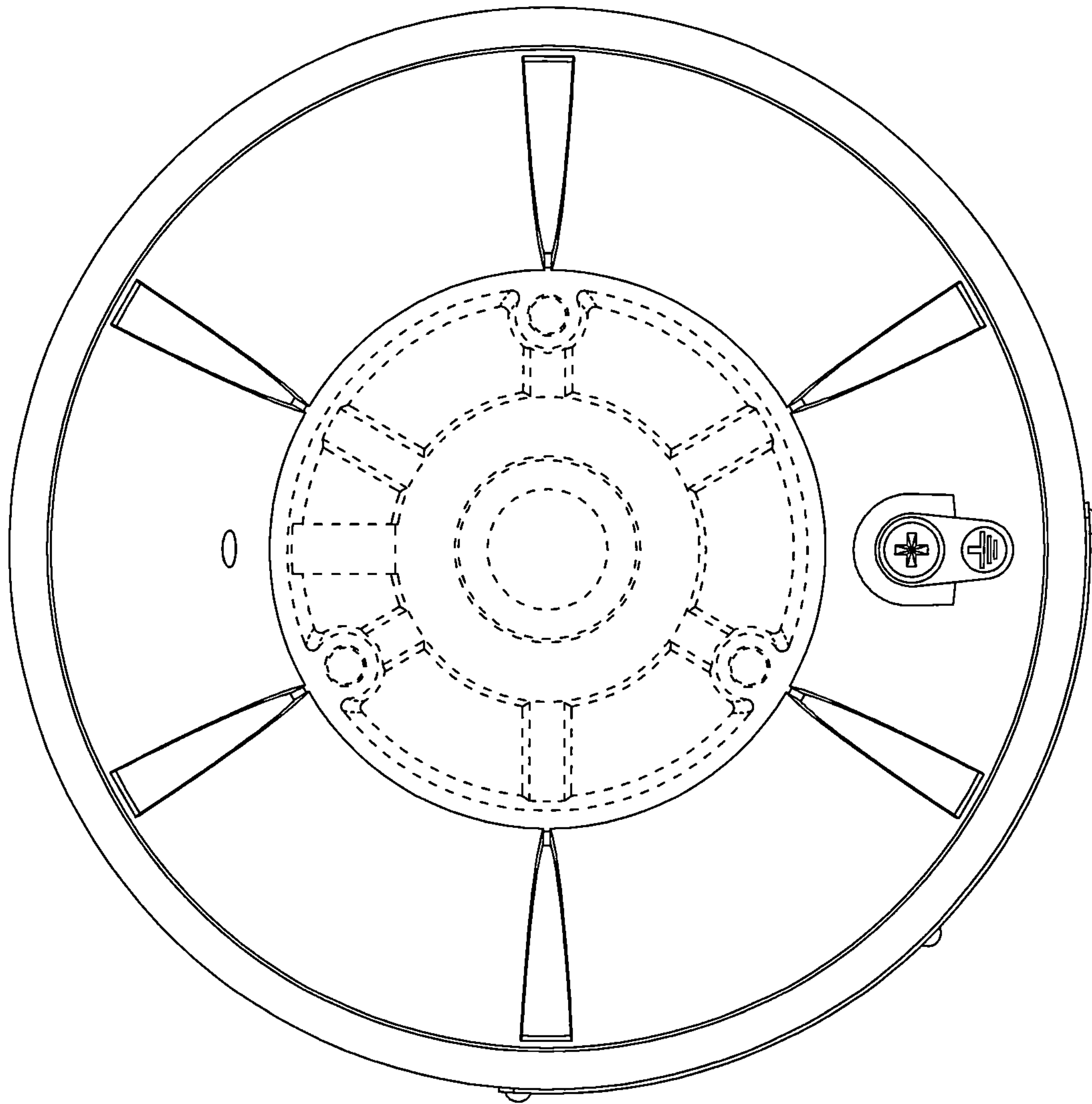


FIG. 7