



US00D980502S

(12) **United States Design Patent**  
**Nikawa**

(10) **Patent No.:** **US D980,502 S**  
(45) **Date of Patent:** **\*\* Mar. 7, 2023**

(54) **XENON LAMP**

FOREIGN PATENT DOCUMENTS

(71) Applicant: **Ushio Denki Kabushiki Kaisha**, Tokyo (JP)

CN 301493517 \* 9/2010  
CN 303618862 \* 6/2015

(Continued)

(72) Inventor: **Shinji Nikawa**, Tokyo (JP)

OTHER PUBLICATIONS

(73) Assignee: **Ushio Denki Kabushiki Kaisha**, Tokyo (JP)

“Ushio 5000508” reference by Light Bulb Super Store on Amazon.com, date first available Sep. 4, 2009 [online], site visited Mar. 24, 2022, available from internet URL: <https://www.amazon.com/Ushio-5000508-USH-350-DS-Mercury-Vapor/dp/B004A8O10S/> (Year: 2009).\*

(\*\*) Term: **15 Years**

(Continued)

(21) Appl. No.: **29/745,401**

(22) Filed: **Aug. 5, 2020**

*Primary Examiner* — Marissa J Cash

*Assistant Examiner* — Liv C Anderson

(30) **Foreign Application Priority Data**

Feb. 7, 2020 (JP) ..... 2020-002364 D

(74) *Attorney, Agent, or Firm* — Studebaker & Brackett PC

(51) **LOC (14) Cl.** ..... **26-04**

(57) **CLAIM**

(52) **U.S. Cl.**

The ornamental design for a xenon lamp, as shown and described.

USPC ..... **D26/113**

(58) **Field of Classification Search**

**DESCRIPTION**

USPC ..... D26/24, 25, 26, 57, 72, 93, 94, 98, 99,  
D26/101, 104, 106, 113, 114, 138, 139,  
D26/141, 142, 152

CPC .... F21S 6/00; F21S 6/002; F21S 6/005; F21S  
8/00; F21S 8/035; F21S 10/00

See application file for complete search history.

FIG. 1 is a front view of a xenon lamp showing my new design;  
FIG. 2 is a top view thereof;  
FIG. 3 is a bottom view thereof;  
FIG. 4 is a right side view thereof;  
FIG. 5 is a left side view thereof;  
FIG. 6 is a sectional view taken along lines 6-6 in FIG. 1;  
FIG. 7 is a partial enlarged front view as seen from lines 7-7 in FIG. 1; and,  
FIG. 8 is a partial enlarged left side view as seen from lines 8-8 in FIG. 5.

(56) **References Cited**

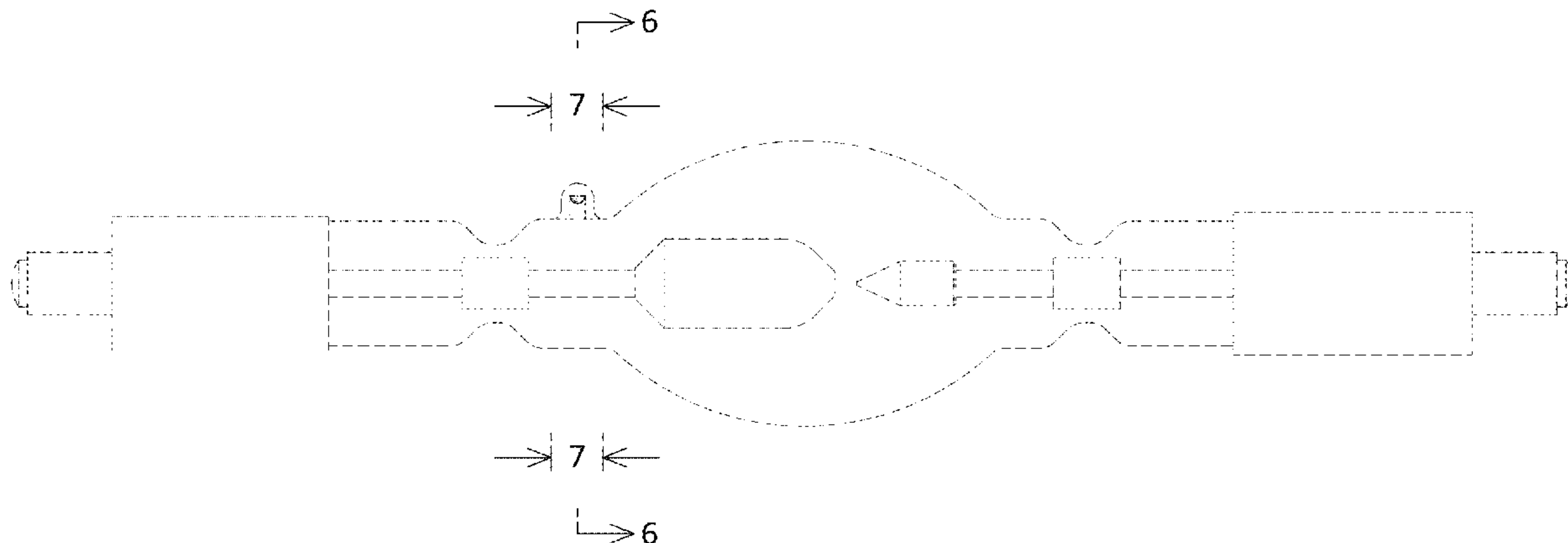
U.S. PATENT DOCUMENTS

3,902,090 A \* 8/1975 Ekkelboom ..... H01J 61/0732  
313/54  
4,097,762 A \* 6/1978 Hilton ..... H01J 61/06  
313/633  
4,937,496 A \* 6/1990 Neiger ..... H01J 61/125  
313/643  
4,985,813 A \* 1/1991 Putman ..... F21V 15/04  
362/186

The dashed lines illustrate portions of the article that form no part of the claimed design. The dot-dash chain lines define boundaries of the claimed design that form no part thereof. Although the rear view is not shown, it is the symmetric counterpart of the front view.

(Continued)

**1 Claim, 8 Drawing Sheets**



(56)

References Cited

U.S. PATENT DOCUMENTS

5,318,251 A \* 6/1994 Bergh ..... H01Q 1/427  
244/129.1  
5,908,265 A \* 6/1999 Mostkoff ..... A01K 61/70  
405/21  
6,444,976 B1 \* 9/2002 Ishikawa ..... G02B 6/3512  
250/216  
7,279,839 B2 \* 10/2007 Menzel ..... H01J 61/0737  
313/633  
D610,458 S \* 2/2010 Martin ..... D9/414  
D629,925 S \* 12/2010 Ashida ..... D26/2  
D638,796 S \* 5/2011 Ashida ..... D13/133  
D639,241 S \* 6/2011 Ashida ..... D13/133  
D642,127 S \* 7/2011 Ashida ..... D13/133  
D650,005 S \* 12/2011 Perks ..... D17/99  
9,748,087 B2 \* 8/2017 Kase ..... H01J 61/073  
10,354,856 B2 \* 7/2019 Sasaki ..... H01J 61/30  
2006/0033439 A1 \* 2/2006 Luttio ..... H01J 61/86  
313/634  
2009/0295289 A1 \* 12/2009 Kikuchi ..... H01J 61/302  
313/643  
2021/0159065 A1 \* 5/2021 Nikawa ..... H01J 61/36

FOREIGN PATENT DOCUMENTS

CN 303482146 \* 7/2015  
CN 304402100 \* 6/2017

OTHER PUBLICATIONS

“Ushio BC2824” reference by Amazon.com, date first available Aug. 15, 2007 [online], site visited Mar. 24, 2022, available from internet URL: <https://www.amazon.com/Ushio-BC2824-5000323-UXL-150M-Projector/dp/B000V52QHE/> (Year: 2007).\*

“OSRAM HBO” reference by BulbConnection on Amazon.com, date first available Oct. 2, 2012 [online], site visited Mar. 24, 2022, available from internet URL: <https://www.amazon.com/OSRAM-200W-Mercury-Short-Arc-Discharge/dp/B07235NK7P/> (Year: 2012).\*

“OSRAM XBO” reference by BulbAmerica Amazon.com, date first available May 16, 2018 [online], site visited Mar. 24, 2022, available from internet URL: <https://www.amazon.com/OSRAM-450W-Xenon-Short-Arc-Discharge/dp/B005FPAXV6/> (Year: 2018).\*

“Uxcell 63mm” reference by excell on Amazon.com, date first available Jan. 24, 2019 [online], site visited Mar. 24, 2022, available from internet URL: <https://www.amazon.com/uxcell-Thickness-Stainless-Hollow-Railing/dp/B072KDHN5D/> (Year: 2019).\*

“Uxcell 38mm” reference by uxcell on Amazon.com, date first available Aug. 12, 2019 [online], site visited Mar. 24, 2022, available from internet URL: <https://www.amazon.com/uxcell-Stainless-Hemisphere-Spheres-Handrail/dp/B07R4896XS/> (Year: 2019).\*

“Semicircle” reference by AngelaKerry on Amazon.com, date first available Nov. 19, 2019 [online], site visited Mar. 24, 2022, available from internet URL: <https://www.amazon.com/ACTENLY-Half-Foam-Balls-Polystyrene/dp/B081Q5PKNH/> (Year: 2019).\*

“Half Sphere” reference on Techly.com, date first available [unavailable], site visited Sep. 6, 2022, available from internet URL: <https://www.techly.com/half-sphere-multicolour-led-lamp.html> (Year: 2022).\*

“Philips” reference by Dave Parkers on Amazon.com, date first available Oct. 28, 2019 [online], site visited Sep. 6, 2022, available from internet URL: <https://www.amazon.com/Philips-Hue-7602031-Bluetooth-Zigbee/dp/B07Z8CNCLN/> (Year: 2019).\*

“Steel” reference by Steel Lighting Co. on Amazon.com, date first available May 21, 2021 [online], site visited Sep. 6, 2022, available from internet URL: <https://www.amazon.com/dp/B09MHJGDT7> (Year: 2021).\*

“Quaray” reference by Quaray on Amazon.com, date first available Jul. 10, 2021 [online], site visited Sep. 6, 2022, available from internet URL: <https://www.amazon.com/Quaray-Plastic-Shade-Torchiere-B250/dp/B0993C26L5/> (Year: 2021).\*

\* cited by examiner

FIG. 1

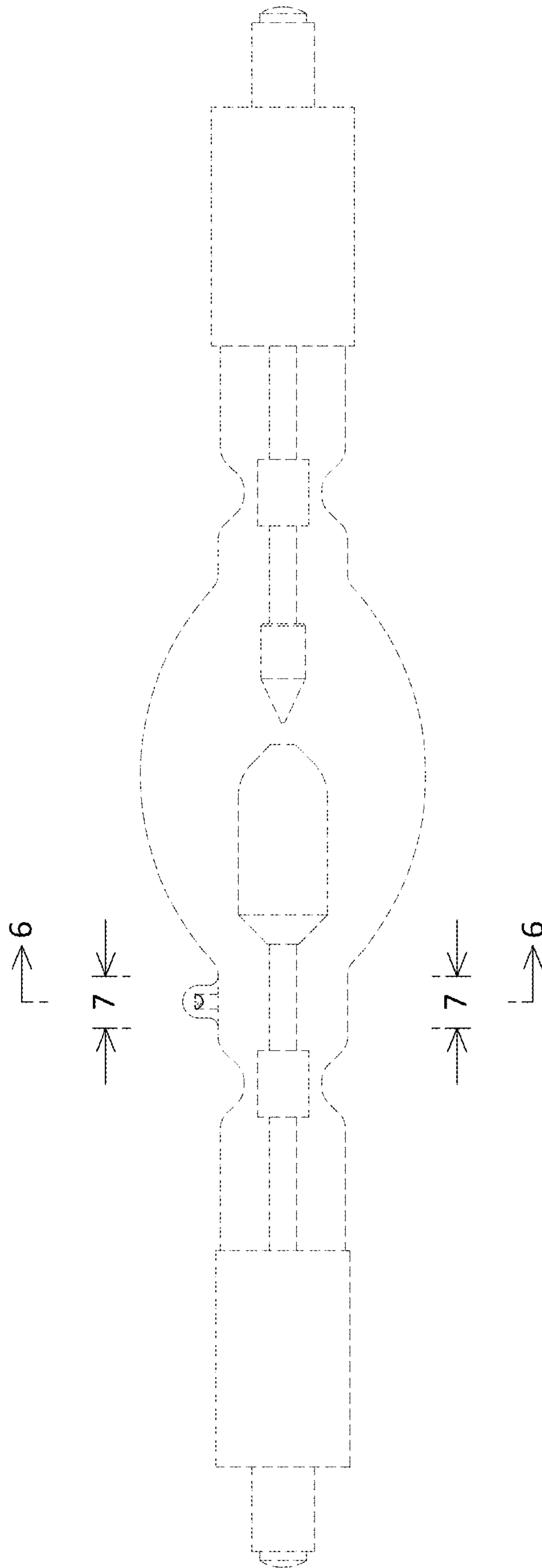


FIG. 2

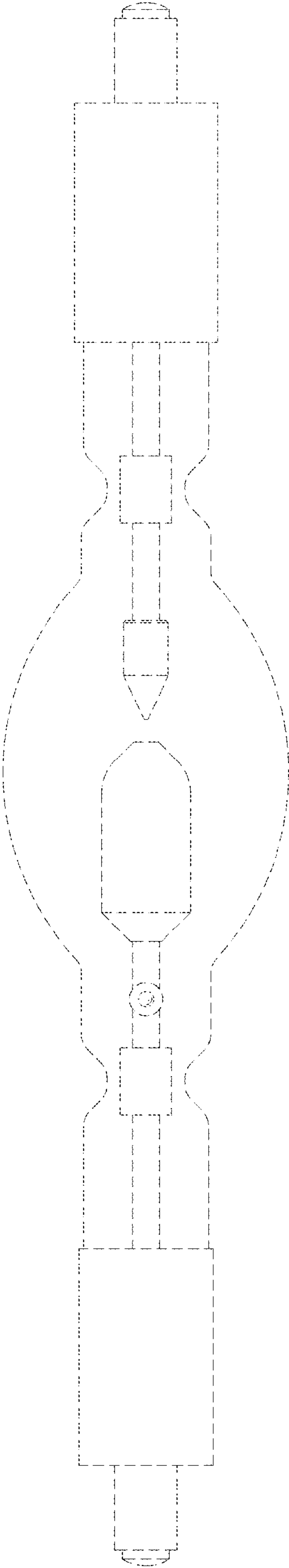


FIG. 3

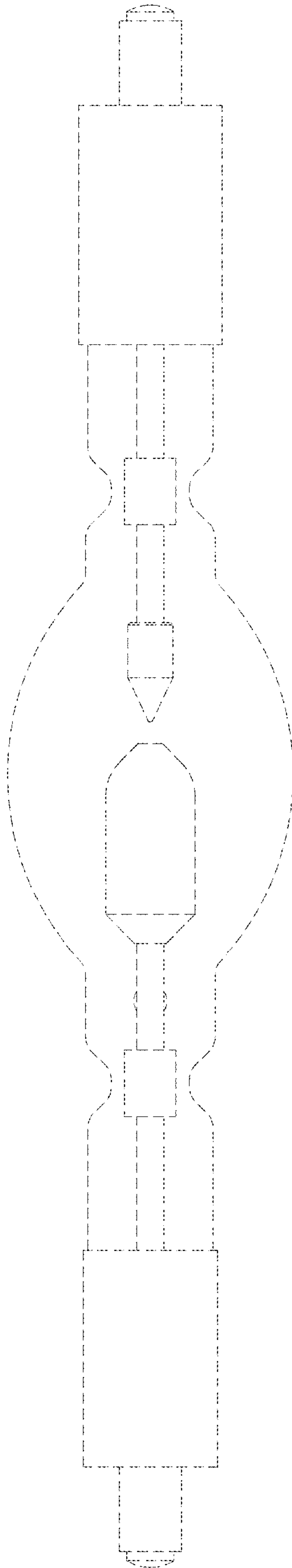


FIG. 4

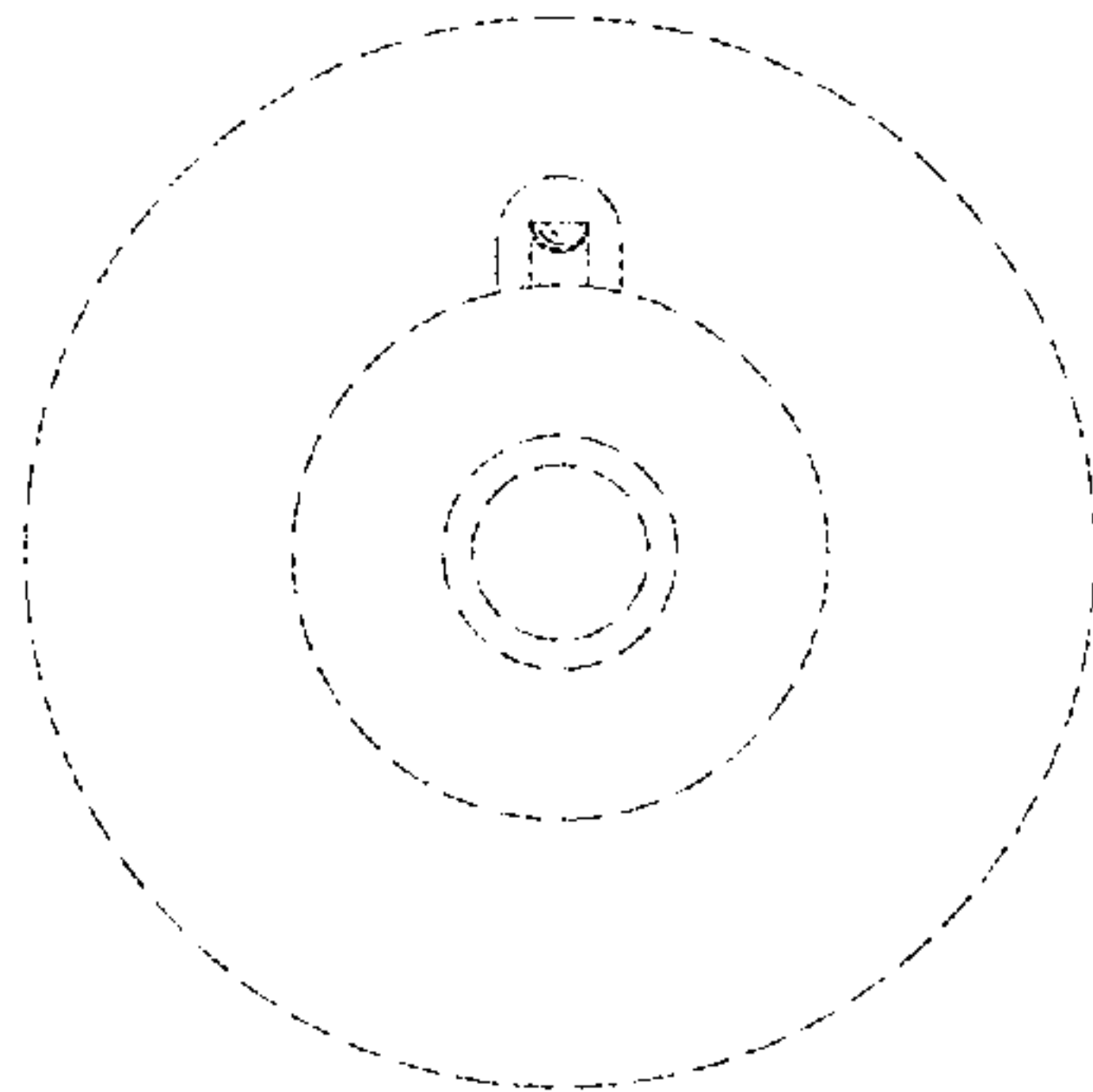


FIG. 5

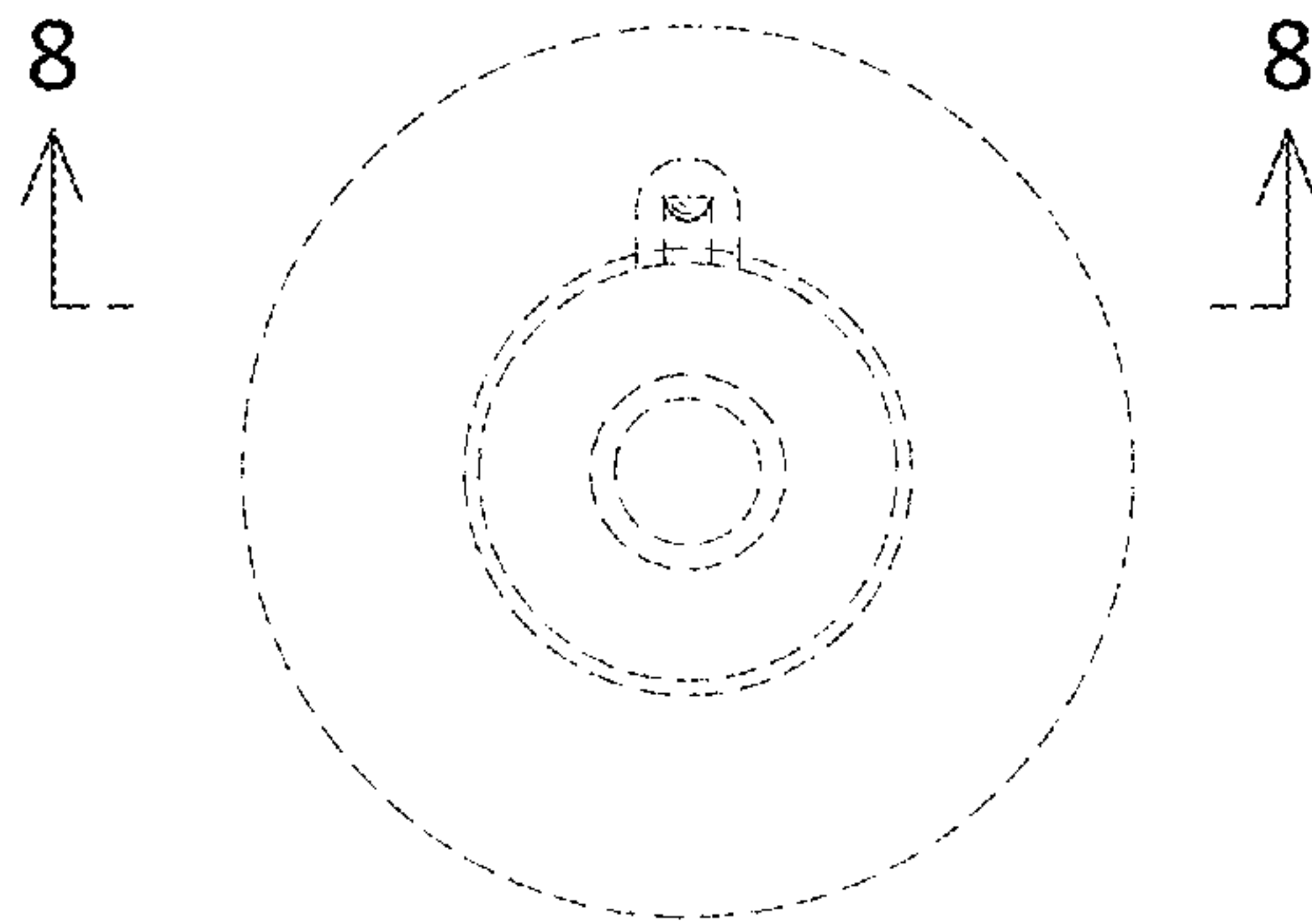




FIG. 6

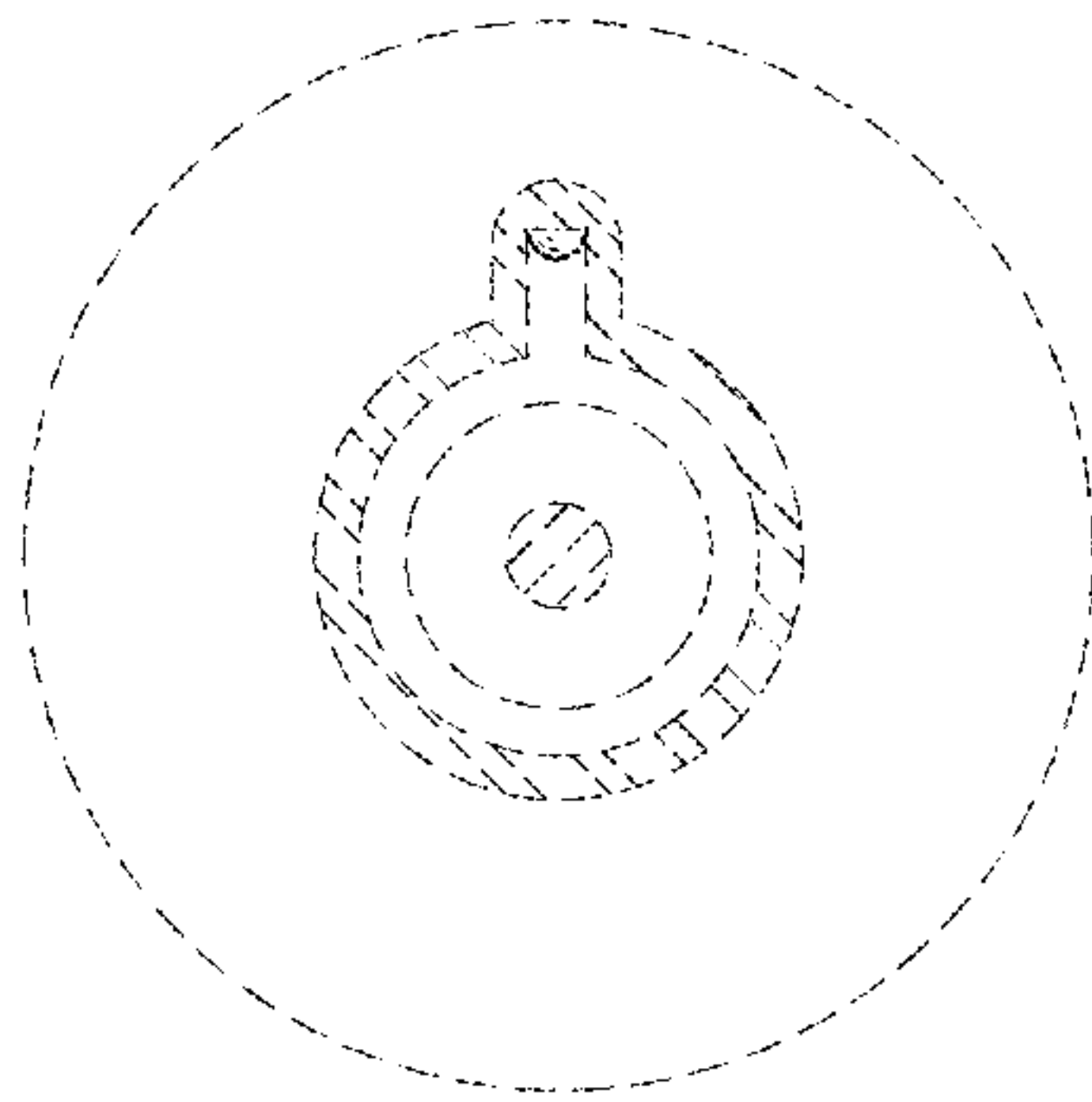




FIG. 7

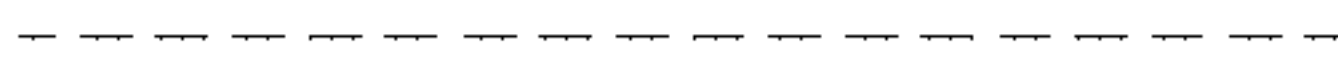
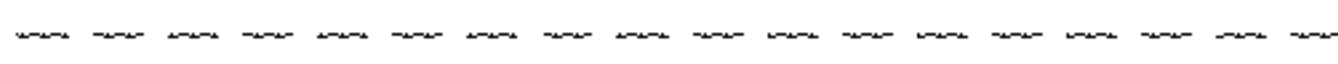
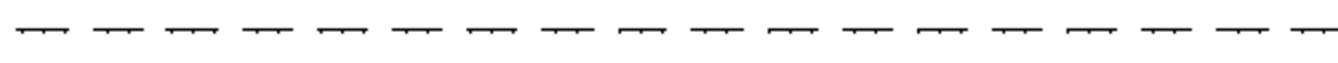
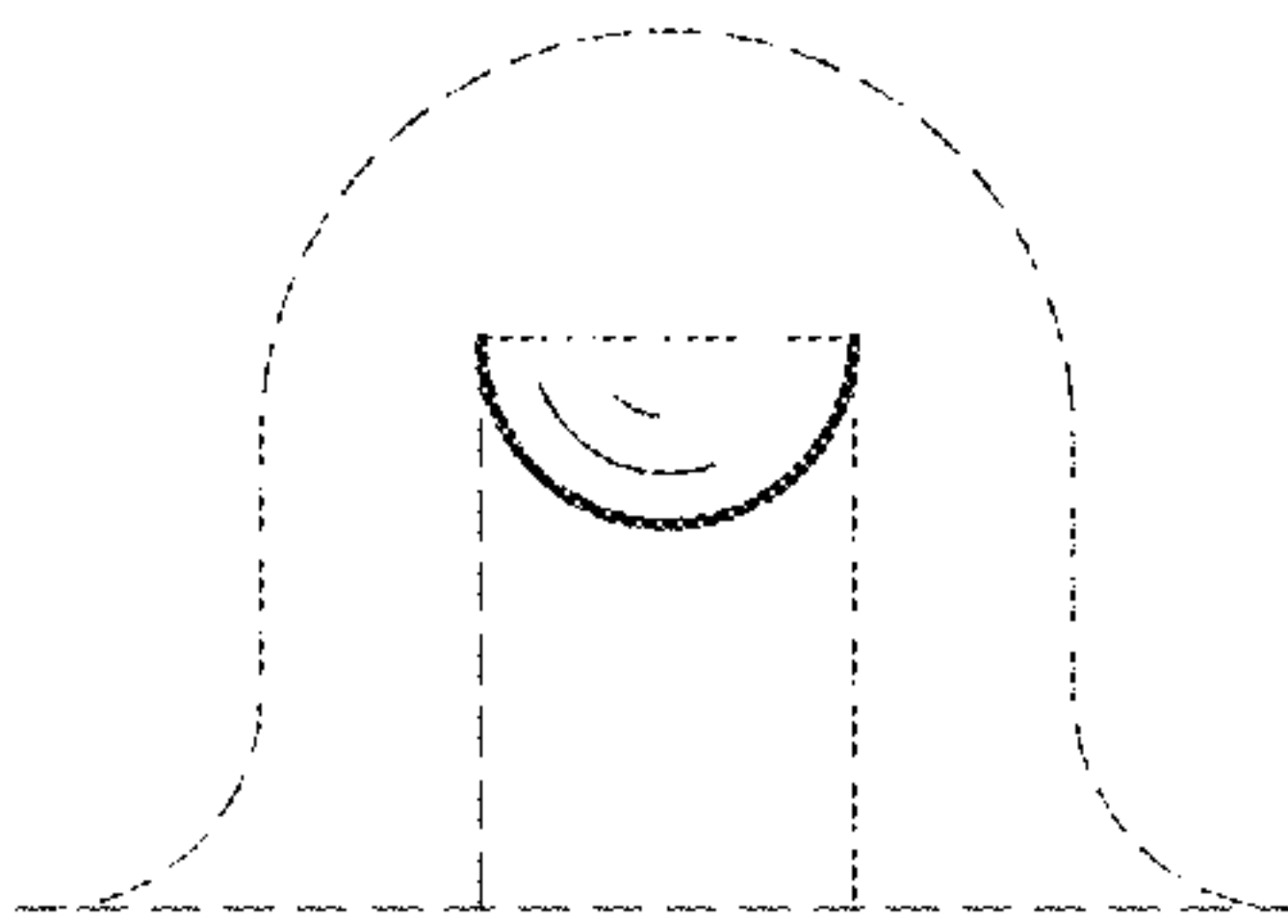


FIG. 8

