



US00D980499S

(12) **United States Design Patent** (10) **Patent No.:** **US D980,499 S**  
**Duan** (45) **Date of Patent:** **\*\* Mar. 7, 2023**

(54) **PROJECTION LAMP**

FOREIGN PATENT DOCUMENTS

(71) Applicant: **Meihong Duan**, Shenzhen (CN)

CN 306211829 \* 12/2020

(72) Inventor: **Meihong Duan**, Shenzhen (CN)

CN 307206791 \* 3/2022

CN 307227369 \* 4/2022

CN 307459722 \* 7/2022

(\*\*) Term: **15 Years**

OTHER PUBLICATIONS

(21) Appl. No.: **29/834,588**

(22) Filed: **Apr. 13, 2022**

(51) **LOC (14) Cl.** ..... **26-05**

(52) **U.S. Cl.**  
USPC ..... **D26/93**; D26/63

(58) **Field of Classification Search**  
USPC .... D26/1, 24, 25, 26, 28, 39, 60–66, 85, 92,  
D26/93, 118  
CPC ..... F21V 21/14; F21V 15/01; F21V 14/00;  
F21V 14/02; F21V 21/30; F21V 21/00;  
F21V 21/10; F21V 21/108; F21Y  
2105/00; F21L 2/00; F21L 4/00; F21L  
4/02; F21L 4/025; F21L 4/027; F21L  
14/00; F21S 2/00; F21S 8/03; F21S  
8/033; F21S 8/035; F21S 8/036; F21S  
8/037; F21S 6/00; F21S 6/002; F21S  
6/004; F21S 9/00; F21S 9/02; F21W  
2121/008

See application file for complete search history.

Ocean Wave Christmas Projector Lights. Date First Available: Aug. 7, 2018. Site visited: Aug. 30, 2022. [https://www.amazon.com/dp/B07G86R359/ref=sspa\_dk\_detail\_5?pf\_rd\_p=3481f441-61ac-4028-9c1a-7f9ce8ec50c5&pf\_rd\_r=3E6HJAZWA8MRWAAPB7ZC&pd\_rd\_wg=RbXNg&pd\_rd\_w=Ig0t2&content-id=amzn1.sym.3481f441-61ac-4028-9c1a-7f9ce8ec50c5&pd\_rd\_r=8a04c0e0-10c0-43a3-92fb-21cbbb3b1df5&s=hi&sp\_csd=d2IkZ2V0TmFtZT1zcF9kZXRhaWxhdGhIbWF0aWM&spLa=ZW5jcnIwdGVkUXVhbGImaWVyPUFHQkNXS080VkZOUImZW5jcnIwdGVkSWQ9QTA3MzI5NzNUT00xNVZRNkk4MTUmZjW5jcnIwdGVkQWRJZD1BMDUzNjc4MTMwUDEwNVpFM1IBQkQmd2IkZ2V0TmFtZT1zcF9kZXRhaWxhdGhIbWF0aWMmYWN0aW9uPWNsaWNrUmVkaXJlY3QmZG9Ob3RMb2dDbGJjaz10cnVI&th=1] (Year: 2018).\*

(Continued)

*Primary Examiner* — Wendy L Arminio  
*Assistant Examiner* — Maheen Khurshid  
(74) *Attorney, Agent, or Firm* — Jeenam Park

(57) **CLAIM**

The ornamental design for a projection lamp, as shown and described.

(56) **References Cited**

U.S. PATENT DOCUMENTS

D166,793 S \* 5/1952 Borowitz ..... D26/93  
D320,462 S \* 10/1991 Williams ..... D26/35  
D335,193 S \* 4/1993 Shaanan ..... D26/63  
D597,237 S \* 7/2009 Kumthampinij ..... D26/39  
D745,730 S \* 12/2015 Kunzendorf ..... D26/39  
D846,784 S 4/2019 Luo  
D851,313 S \* 6/2019 Zheng ..... D26/63  
D856,564 S \* 8/2019 Liu ..... D26/63  
D915,652 S \* 4/2021 Li ..... D26/63  
D923,237 S 6/2021 Tan  
D950,126 S \* 4/2022 Zhong ..... D26/63  
D958,433 S \* 7/2022 Gao ..... D26/63

**DESCRIPTION**

FIG. 1 is a front perspective view of a projection lamp, showing my new design;  
FIG. 2 is a rear perspective view thereof;  
FIG. 3 is a front view thereof;  
FIG. 4 is a rear view thereof;  
FIG. 5 is a left side view thereof;  
FIG. 6 is a right side view thereof;  
FIG. 7 is a top plan view thereof;  
FIG. 8 is a bottom plan view thereof; and,

(Continued)

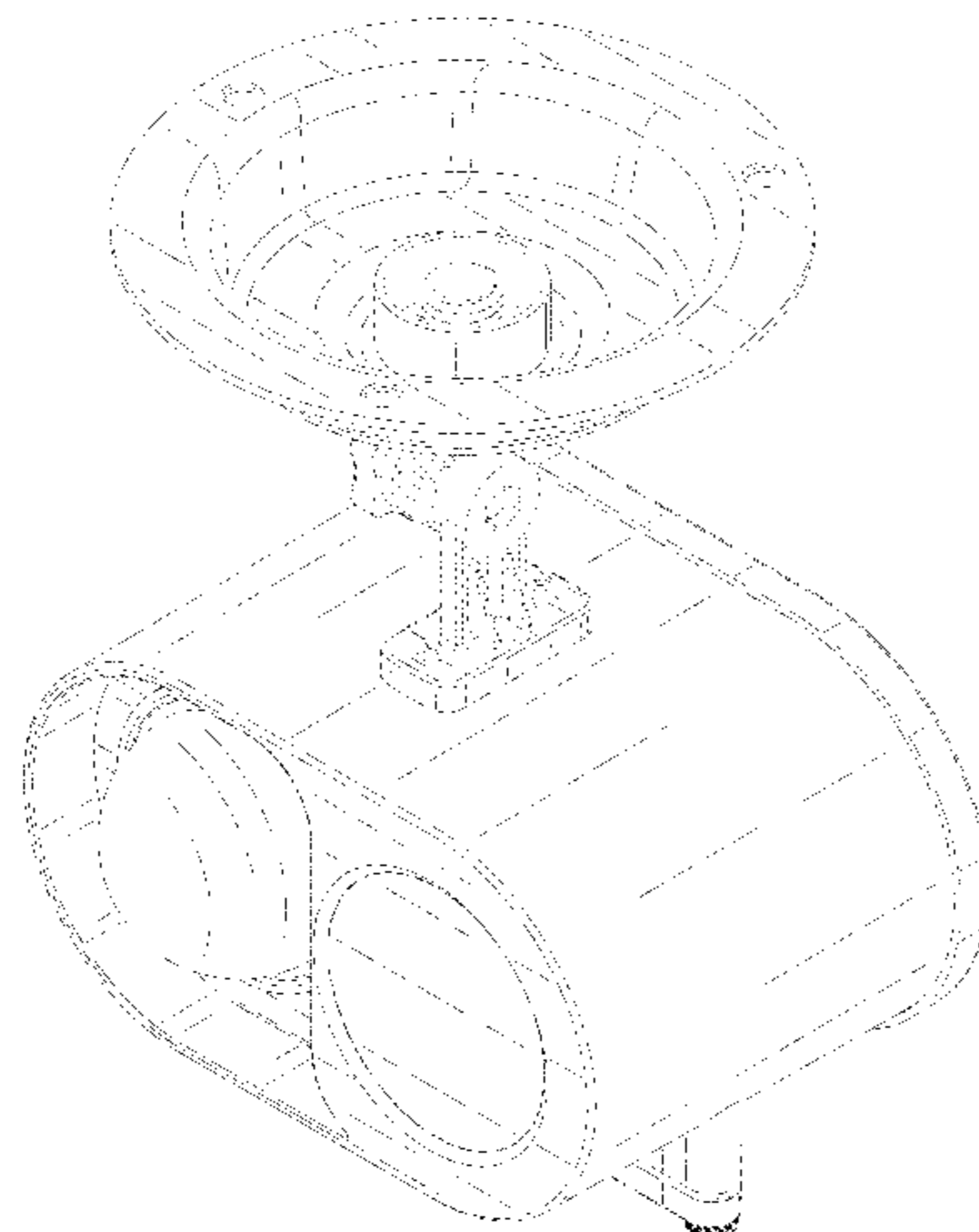


FIG. 9 is an enlarged detail view of the portion indicated by the number 9 in FIG. 2.

The dash-dash broken lines depict portions of the projection lamp that form no part of the claimed design. The dot-dash broken lines in FIGS. 2 and 9 denote the boundary of the enlarged detail view and form no part of the claimed design.

**1 Claim, 9 Drawing Sheets**

(56)

**References Cited**

**OTHER PUBLICATIONS**

Snowflake Lights Projector. Date First Available: Jul. 2, 2021. Site visited: Aug. 30, 2022. [<https://www.amazon.com/Snowflake-Projector-Projection-Waterproof-Decorative/dp/B098JZR2B/ref=>

sr\_1\_57?crd=3HSEYO13YNUNM&keywords=stage+projection+lamp+or+light&qid=1661881762&s=hi&sprefix=stage+projection+lamp+or+ligh%2Ctools%2C82&sr=1-57] (Year: 2021).\*

Halloween Christmas Projector Lights Outdoor. Date First Available Jun. 23, 2021. Site visited: Aug. 30, 2022. [

\* cited by examiner

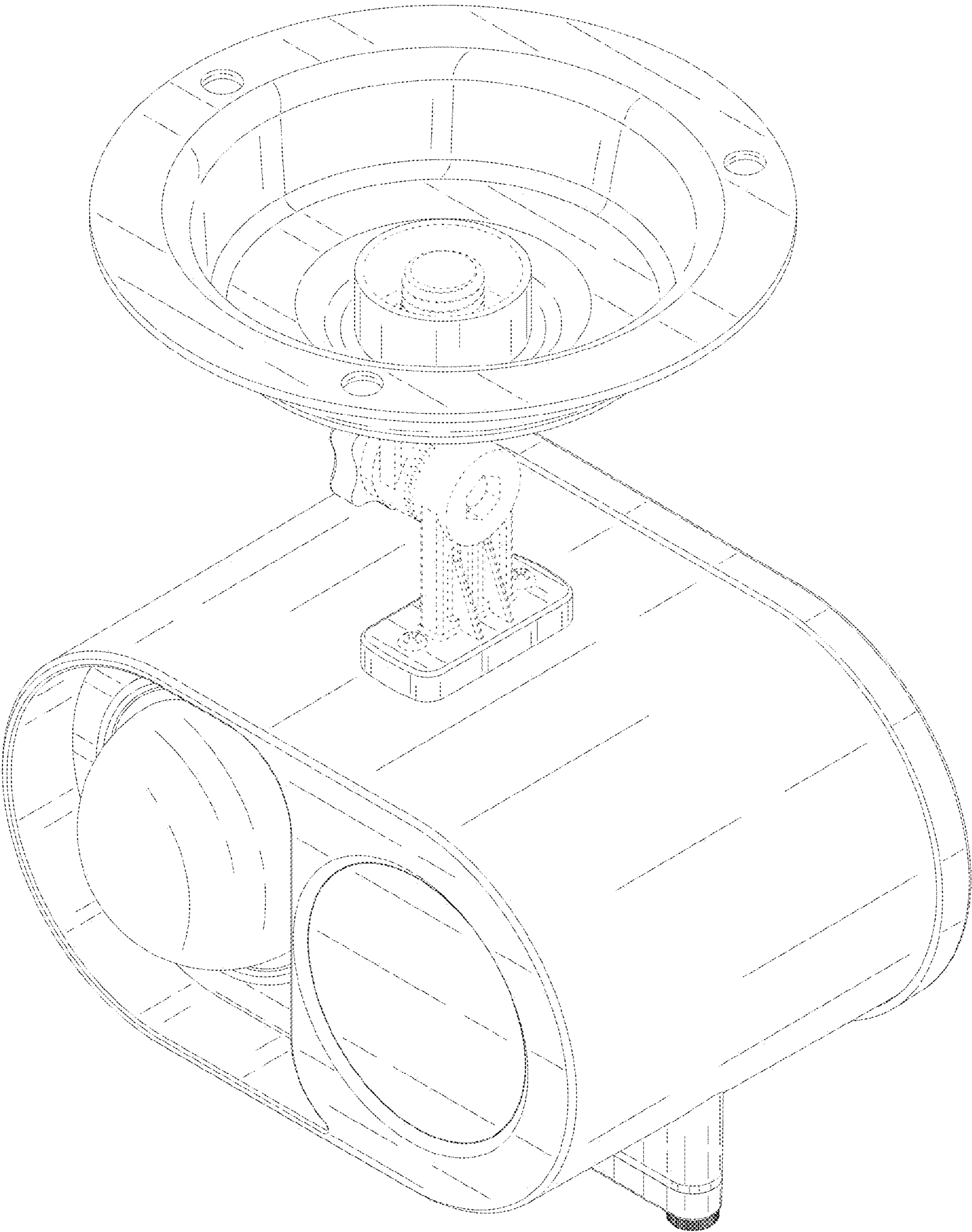


FIG. 1



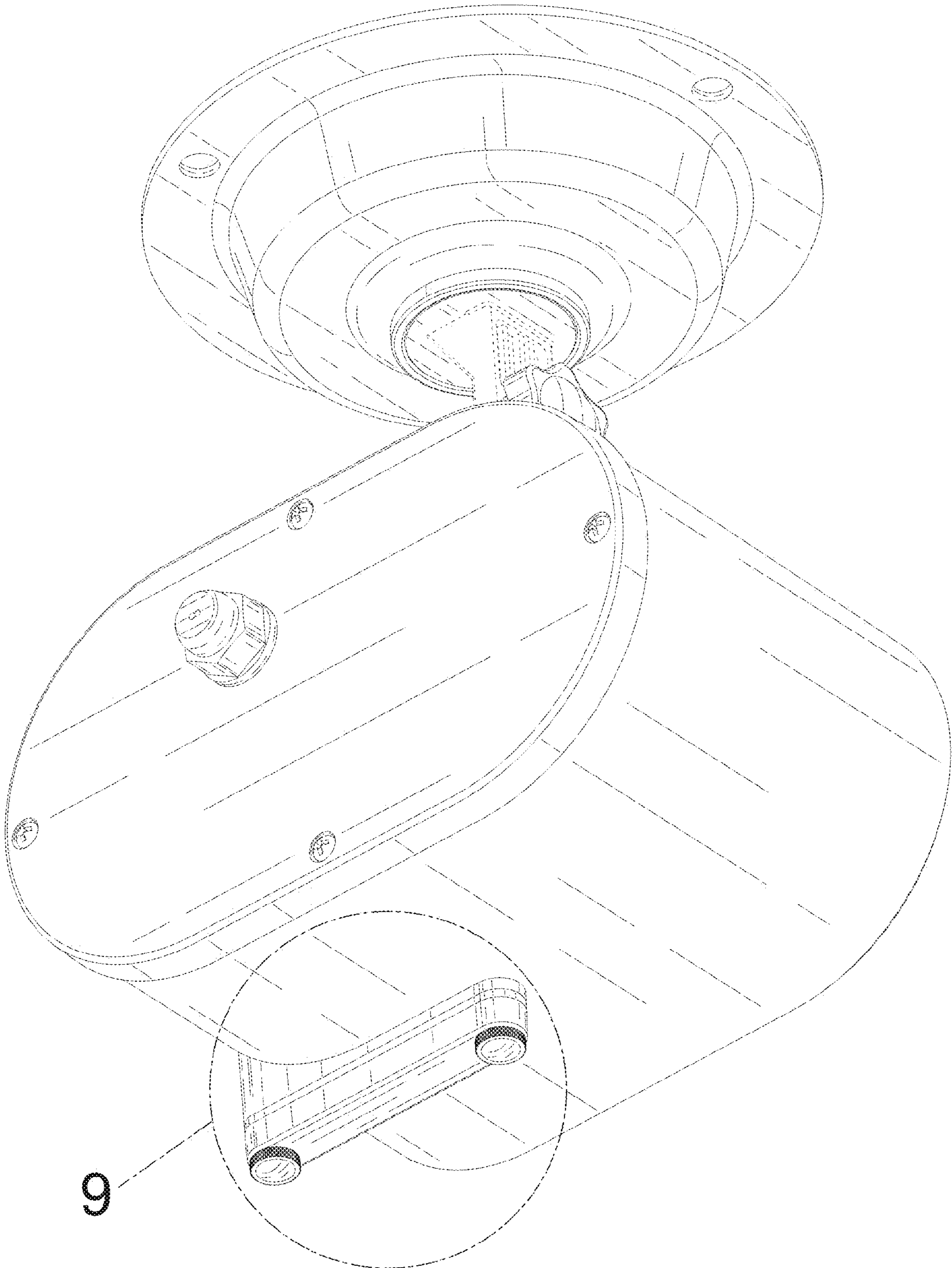


FIG. 2

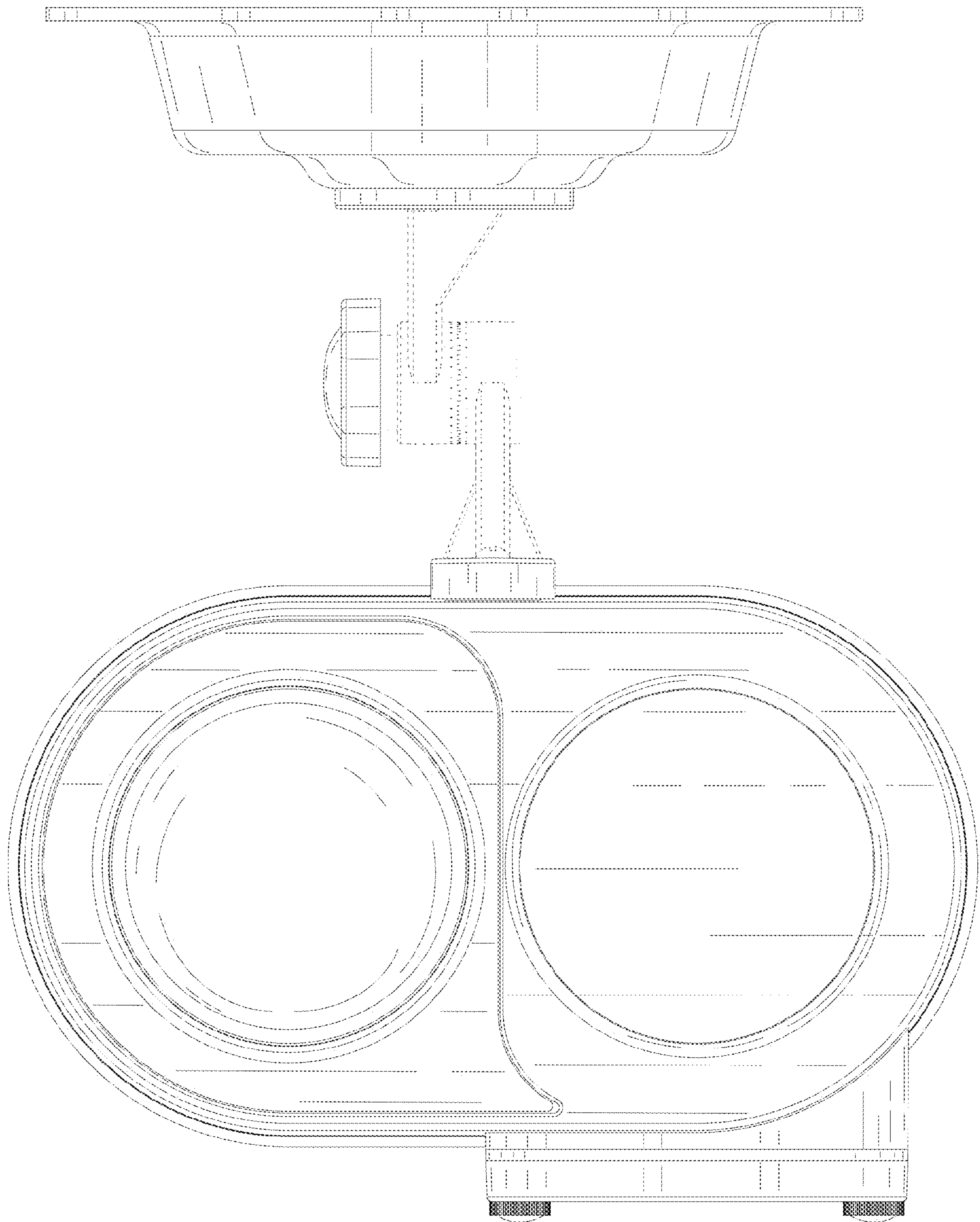


FIG. 3

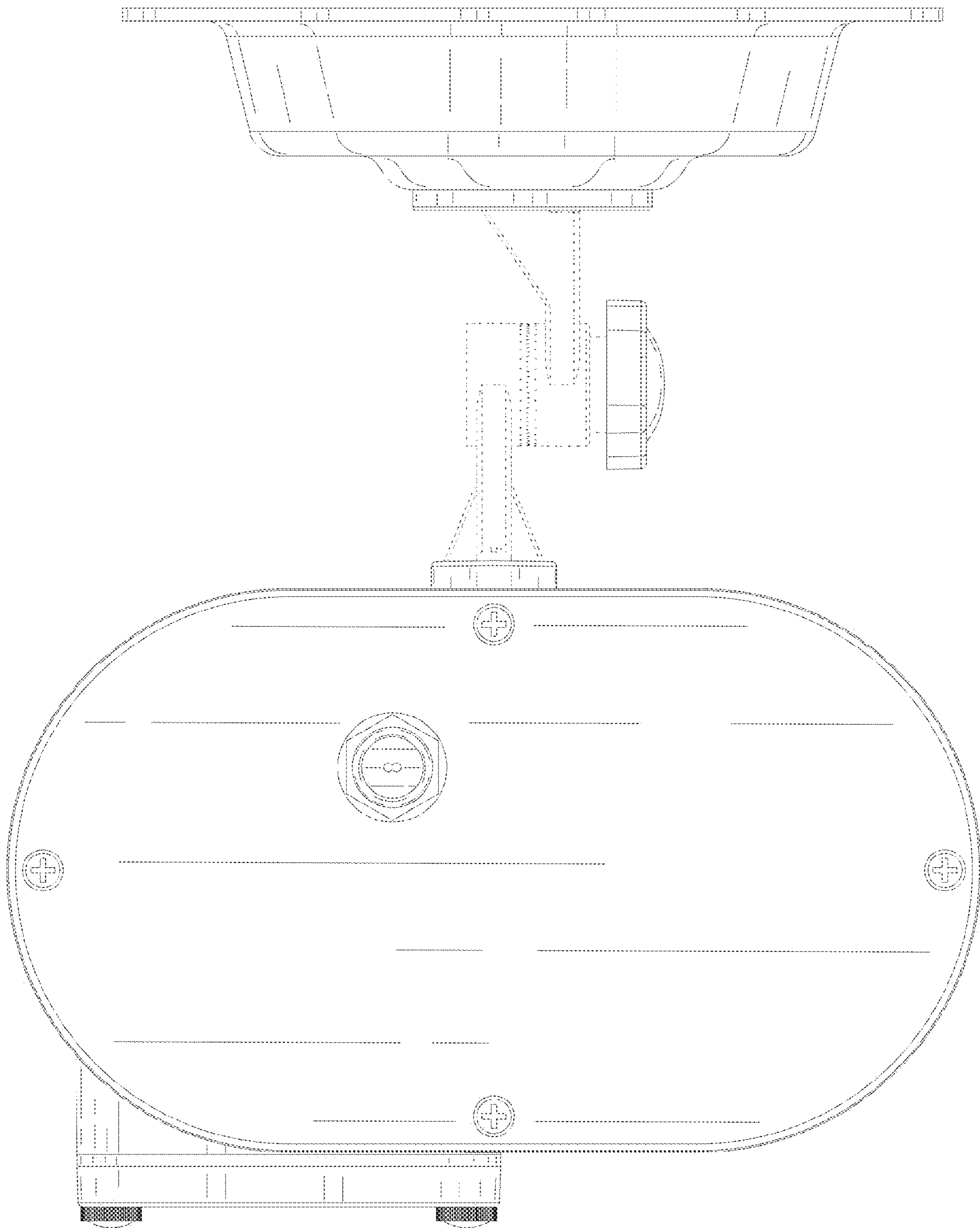


FIG. 4

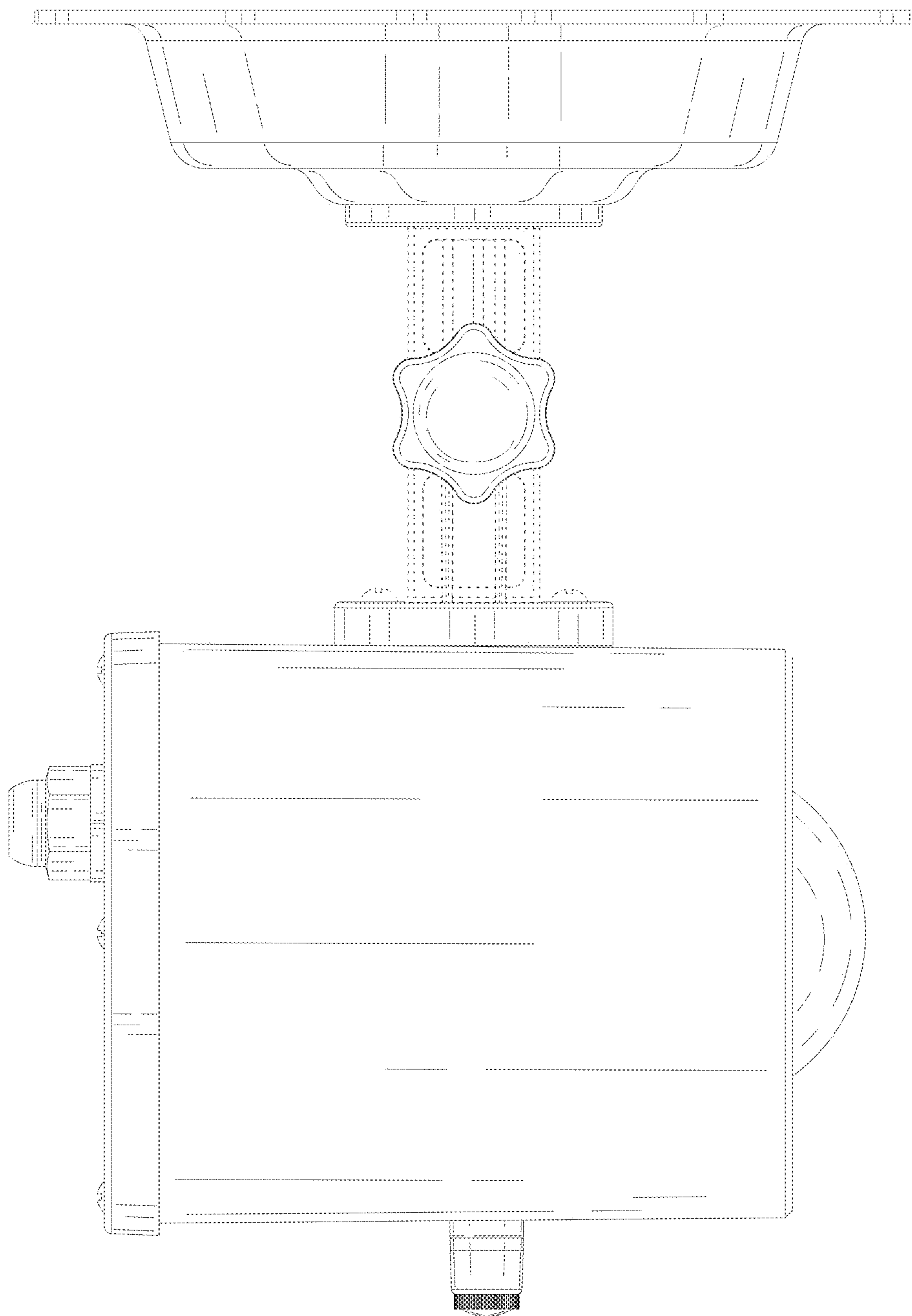


FIG. 5

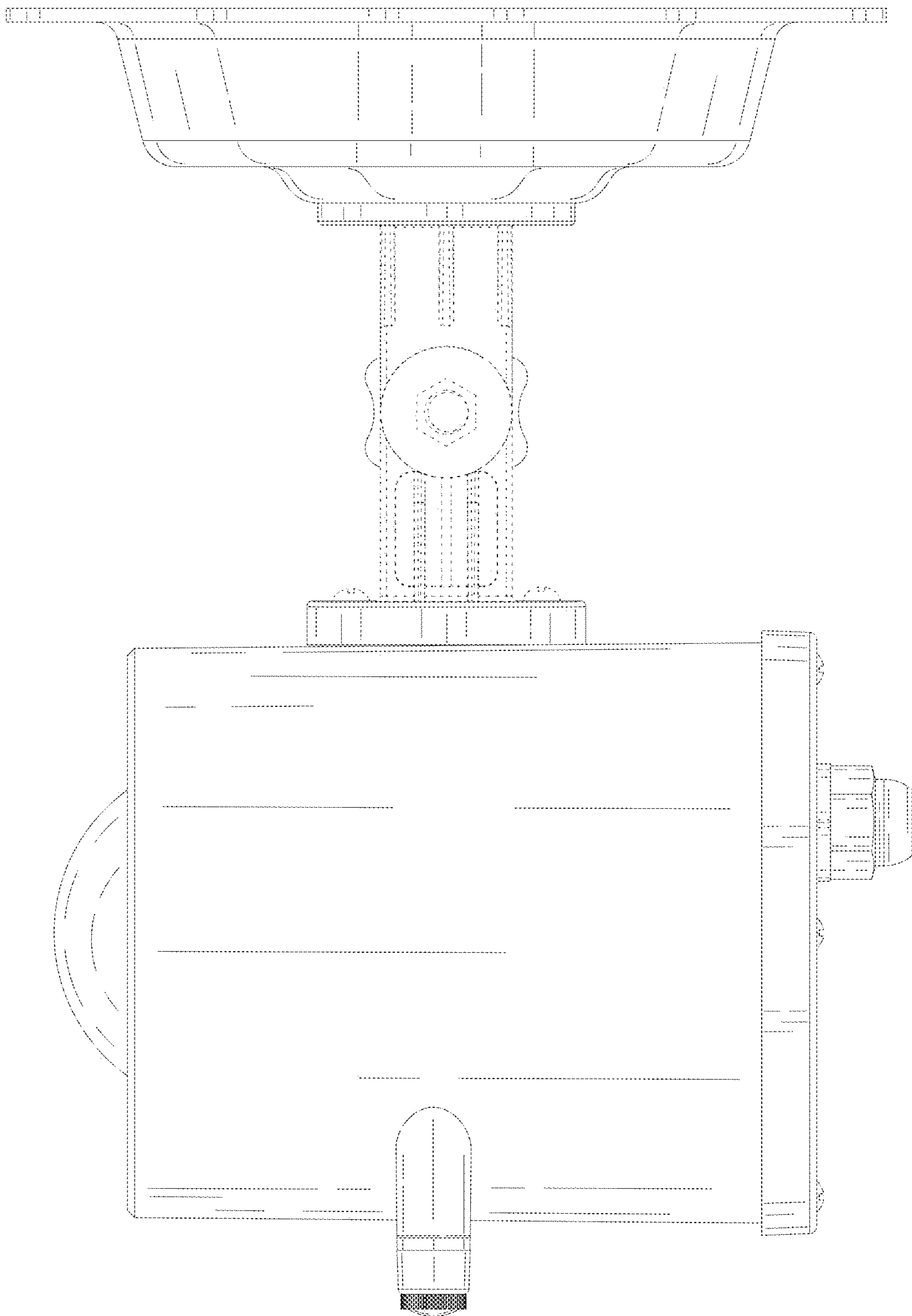


FIG. 6



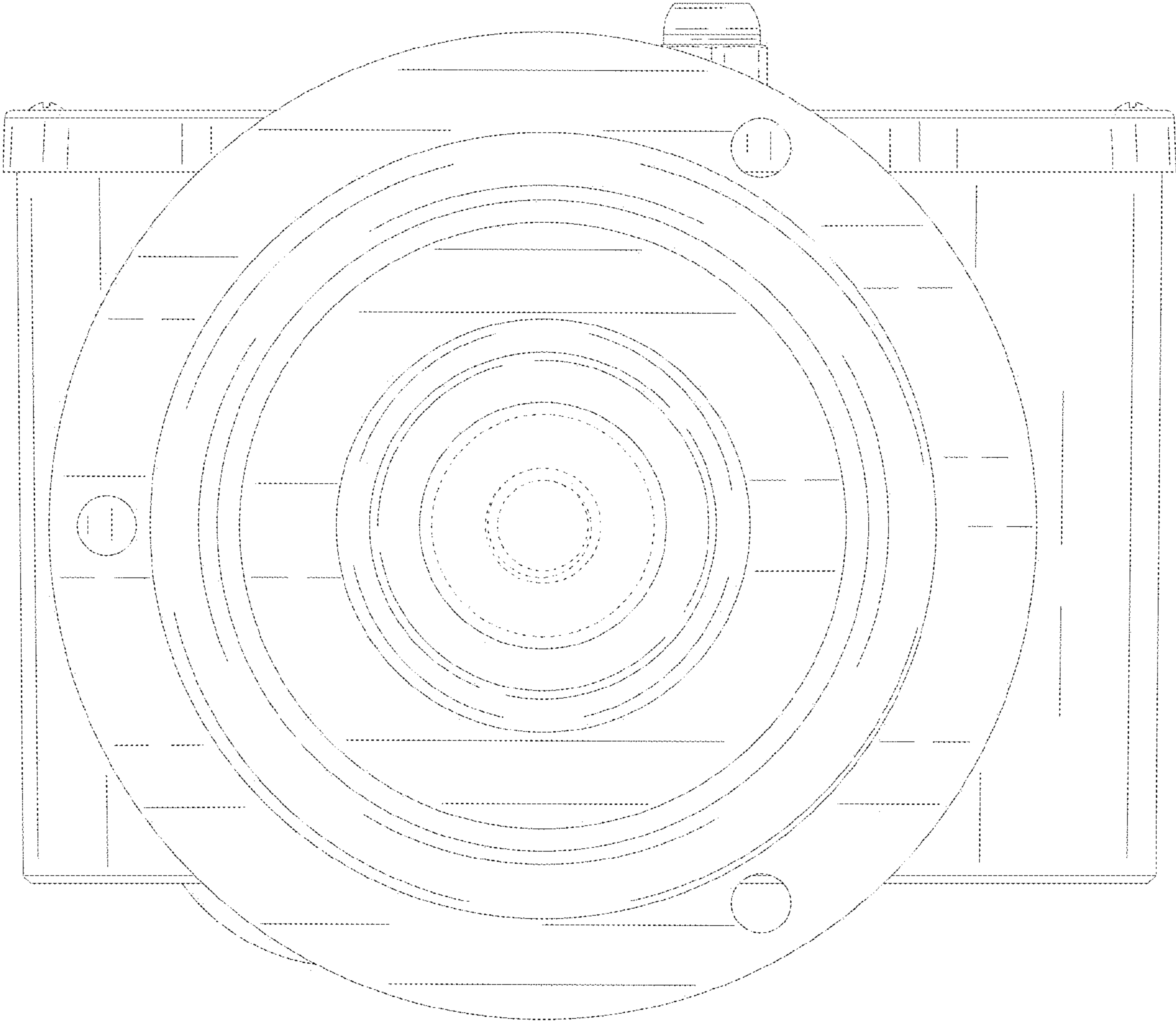


FIG. 7

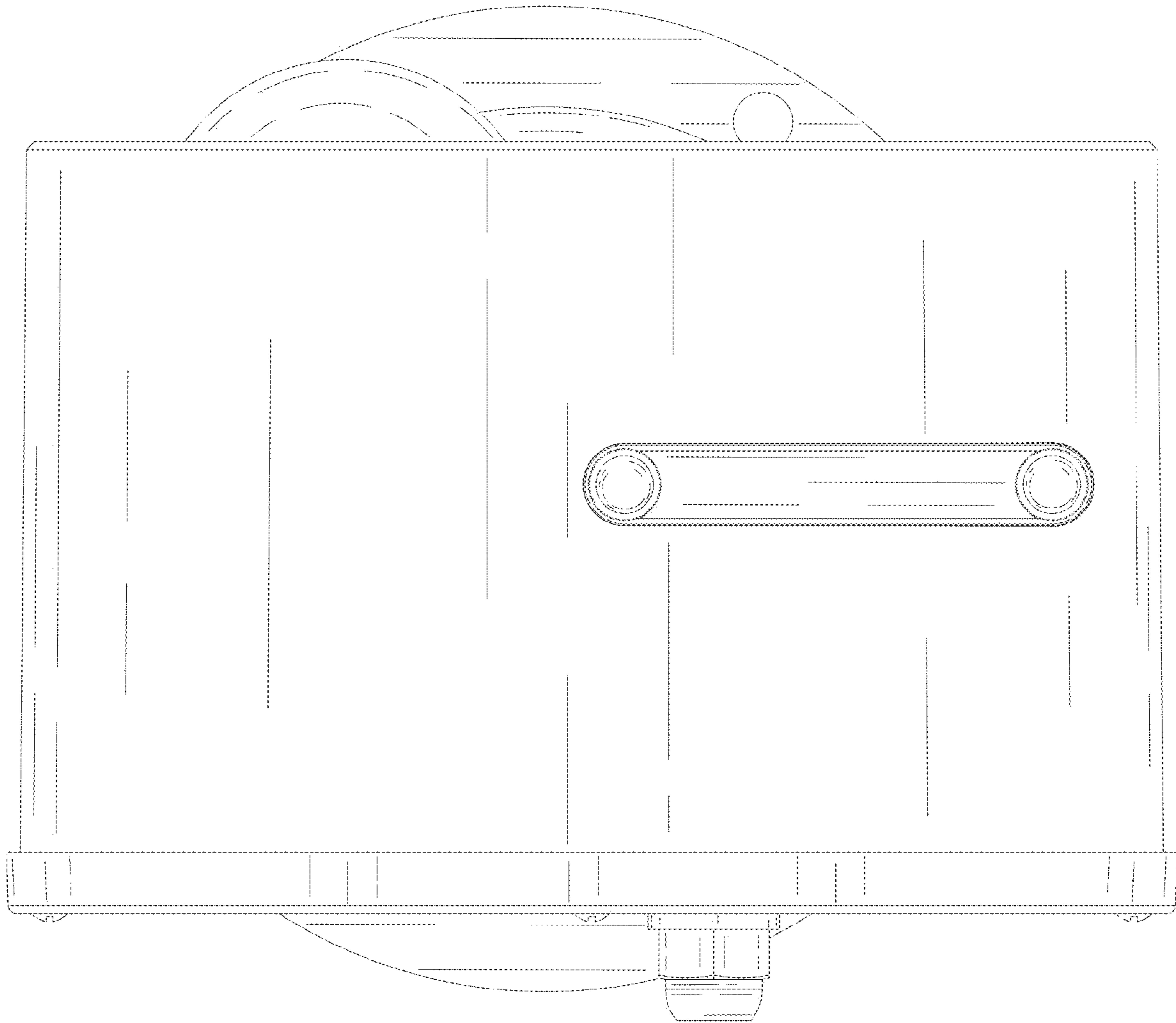


FIG. 8

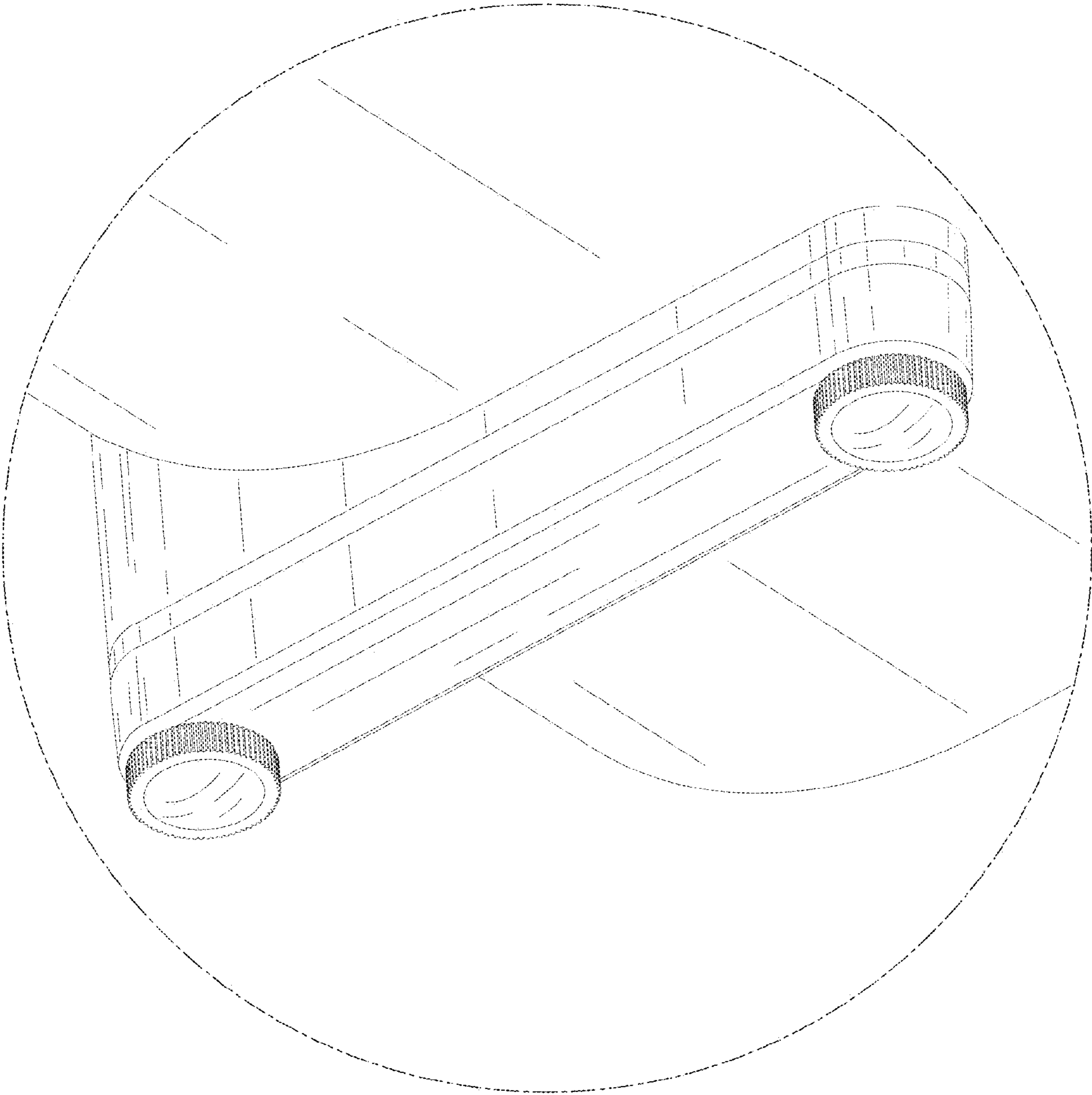


FIG. 9