



US00D980496S

(12) **United States Design Patent** (10) **Patent No.:** **US D980,496 S**
Wu (45) **Date of Patent:** **** Mar. 7, 2023**

(54) **WALL LAMP**

OTHER PUBLICATIONS

(71) Applicant: **Shenzhen Putong E-Commerce Co., Ltd.**, Shenzhen (CN)

Savoy House Hancock Matte Black 1 Light Outdoor Sconce Model No. 5-451-BK . Available from amazon.com Jan. 24, 2020 as ASIN: B0845XCPLG. (Year: 2020).*

(72) Inventor: **Lei Wu**, Shenzhen (CN)

Bailey Street Home Outdoor Wall Lantern Model No. 71-BEL-2539265. Available from amazon.com Oct. 15, 2021 as ASIN: B09JQQ2WML. (Year: 2021).*

(**) Term: **15 Years**

Z-Lite Outdoor Wall Light. Available from amazon.com Dec. 14, 2014 as ASIN: B00R00ZDVE. (Year: 2014).*

(21) Appl. No.: **29/854,005**

Forte Lighting Antique Bronze Single Light Outdoor Wall Sconce, Model No. 17020-01-32. Available from lightingdirect.com as early as Jan. 11, 2010. (Year: 2010).*

(22) Filed: **Sep. 21, 2022**

* cited by examiner

(51) **LOC (14) Cl.** **26-03**

Primary Examiner — Clare E Hefflin

(52) **U.S. Cl.**

(74) *Attorney, Agent, or Firm* — Daniel M. Cohn; Howard M. Cohn

USPC **D26/87**

(58) **Field of Classification Search**

(57) **CLAIM**

USPC D26/67, 72, 85, 86, 87, 92
CPC F21S 8/03; F21S 8/033; F21S 8/035; F21S 8/036; F21S 8/037; F21S 8/086

The ornamental design for a wall lamp, as shown and described.

See application file for complete search history.

DESCRIPTION

(56) **References Cited**

FIG. 1 is a perspective view of a wall lamp showing my new design;

U.S. PATENT DOCUMENTS

FIG. 2 is another perspective view thereof;

| | | | | |
|-----------------|---------|-------------|-------|-------------|
| D427,355 S * | 6/2000 | Miranda | | D26/87 |
| D467,380 S * | 12/2002 | Dolan | | D26/92 |
| D541,974 S * | 5/2007 | Yuan | | D26/92 |
| D629,949 S * | 12/2010 | Ho | | D26/68 |
| D684,293 S * | 6/2013 | Lastimoso | | D26/85 |
| D694,940 S * | 12/2013 | Dolan | | D26/87 |
| D754,907 S * | 4/2016 | Orozco | | D26/85 |
| D766,489 S * | 9/2016 | Moon | | D26/87 |
| 10,670,203 B1 * | 6/2020 | Glazer | | F21V 17/002 |
| D906,573 S * | 12/2020 | Smith | | D26/85 |
| D920,560 S | 5/2021 | Wang et al. | | |
| D920,561 S | 5/2021 | Wang et al. | | |
| D942,065 S * | 1/2022 | Orozco | | D26/85 |

FIG. 3 is a front elevational view thereof;

FIG. 4 is a rear elevational view thereof;

FIG. 5 is a left side elevational view thereof;

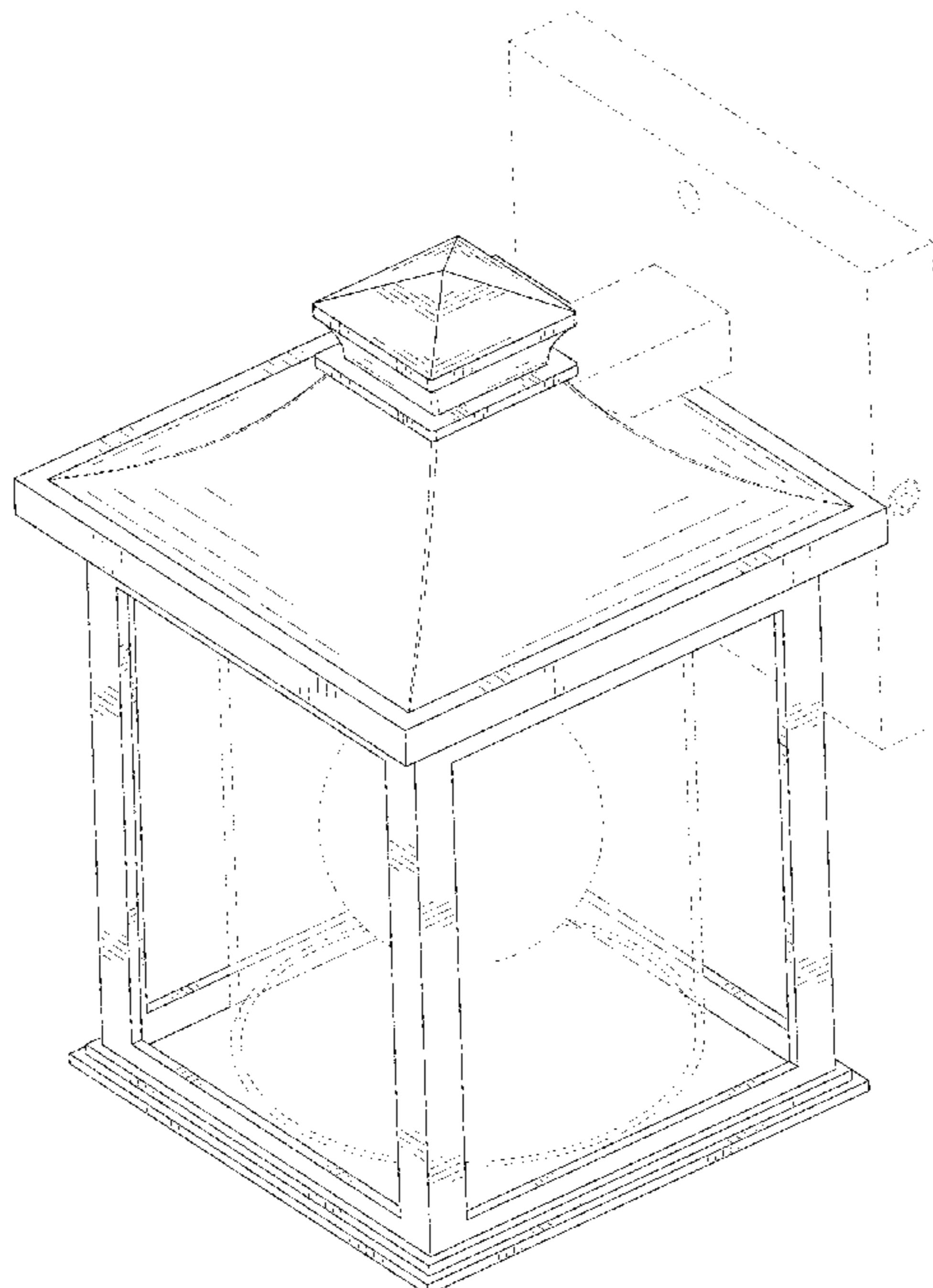
FIG. 6 is a right side elevational view thereof;

FIG. 7 is a top plan view thereof;

FIG. 8 is a bottom plan view thereof; and,

FIG. 9 is a perspective view of the wall lamp where the wall lamp is in a configuration of use.
The dash-dash broken lines in the drawings depict portions of the wall lamp that form no part of the claimed design.

1 Claim, 9 Drawing Sheets



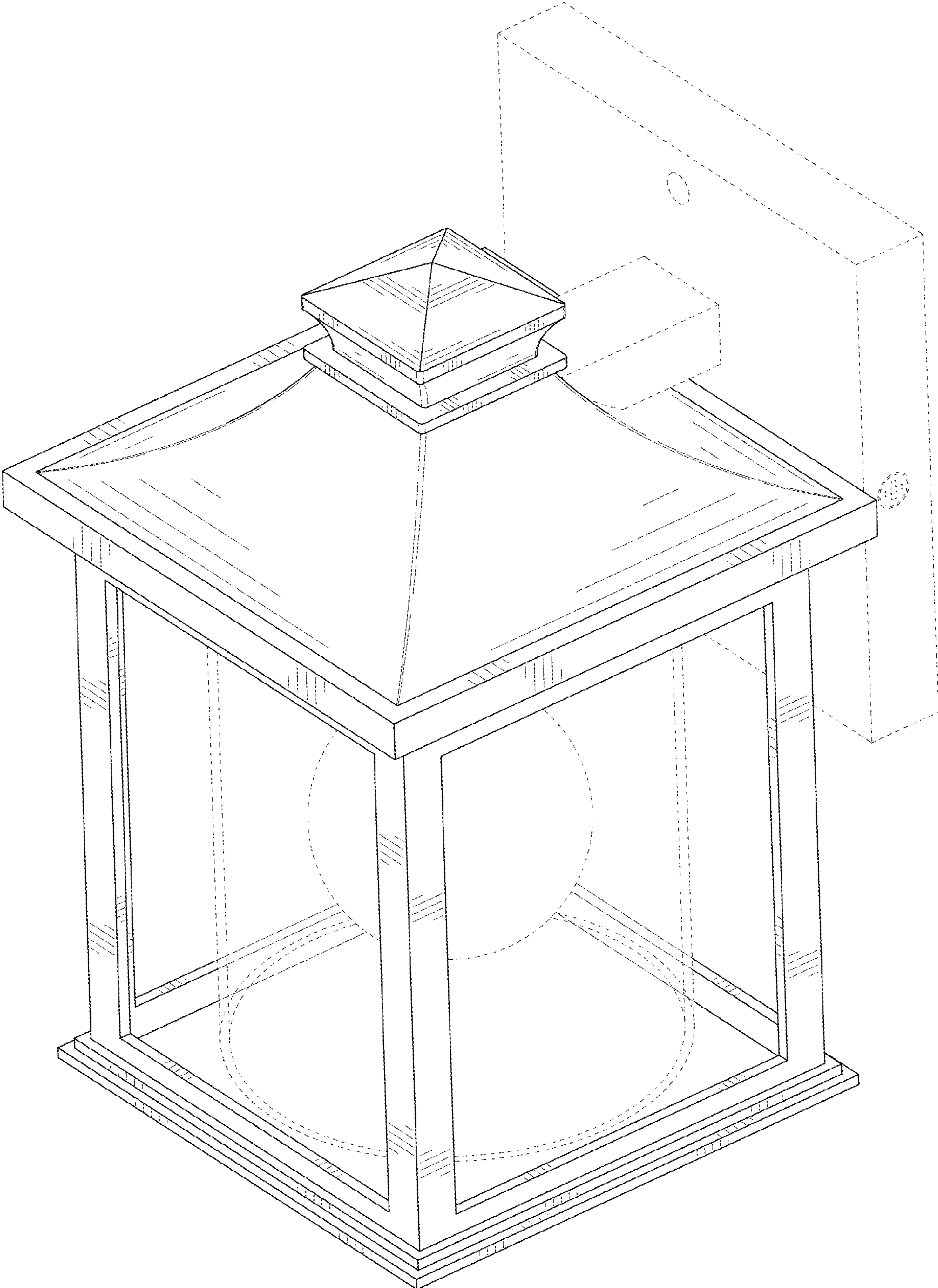


FIG. 1

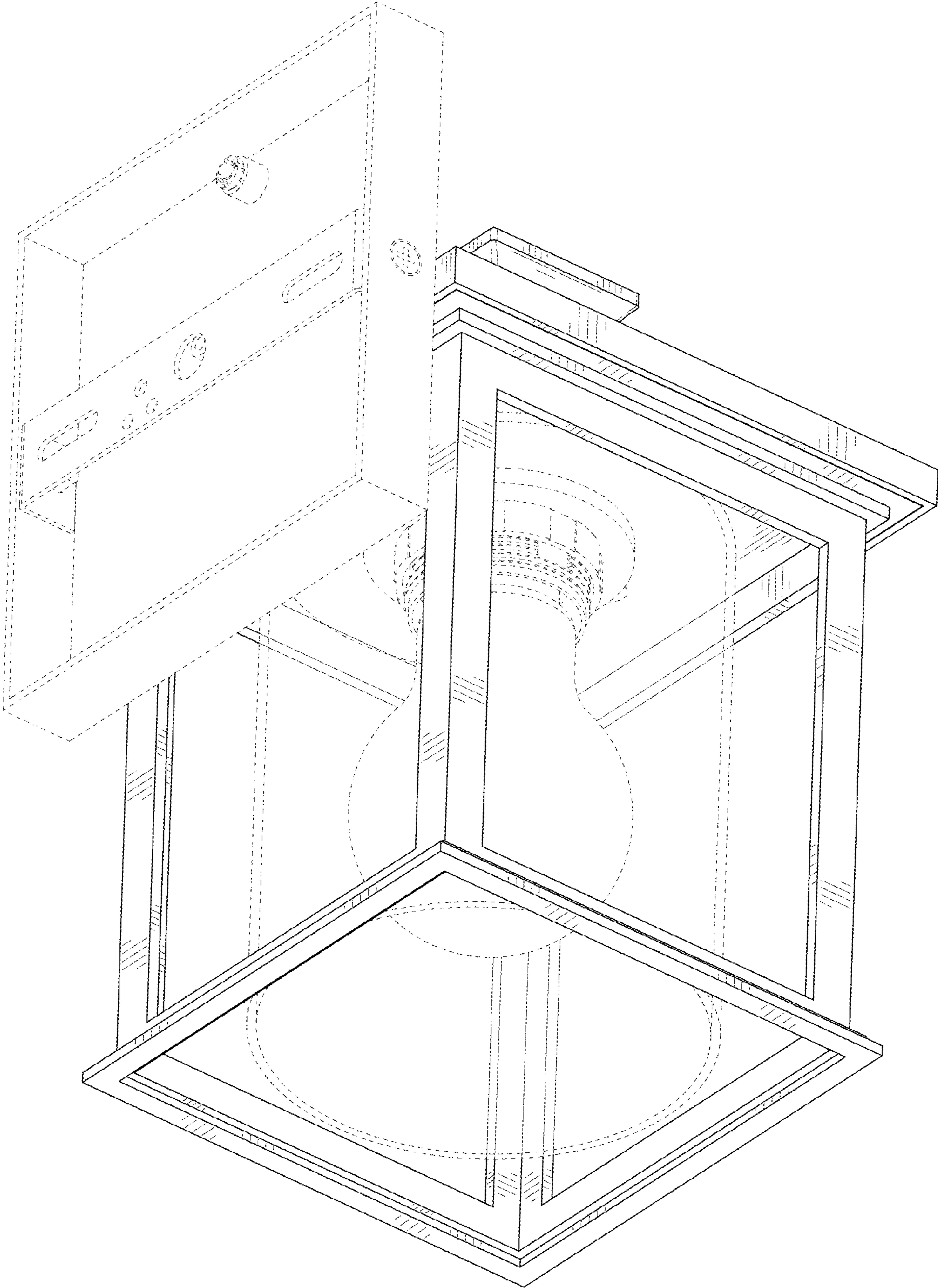


FIG. 2

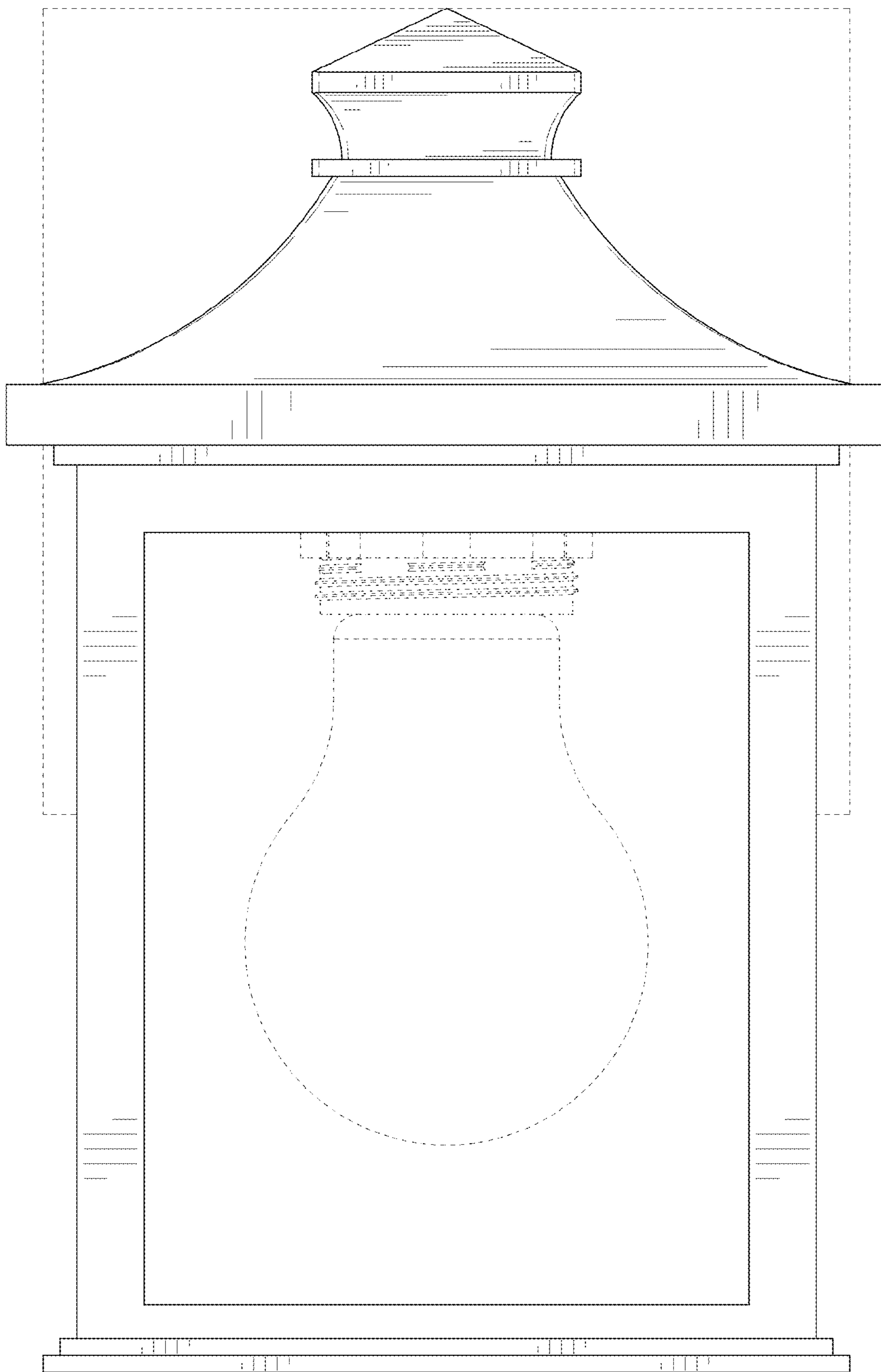


FIG. 3

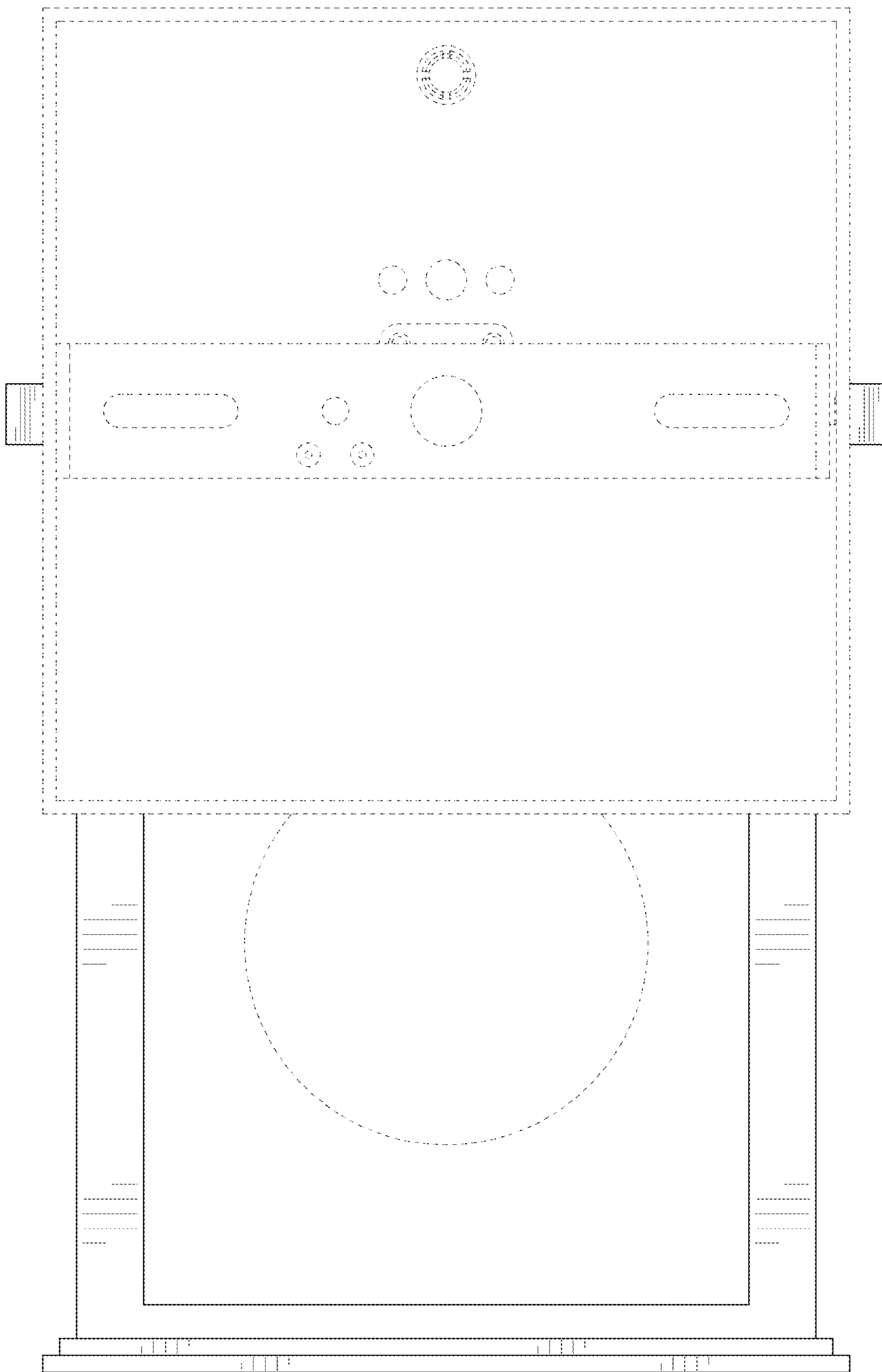


FIG. 4

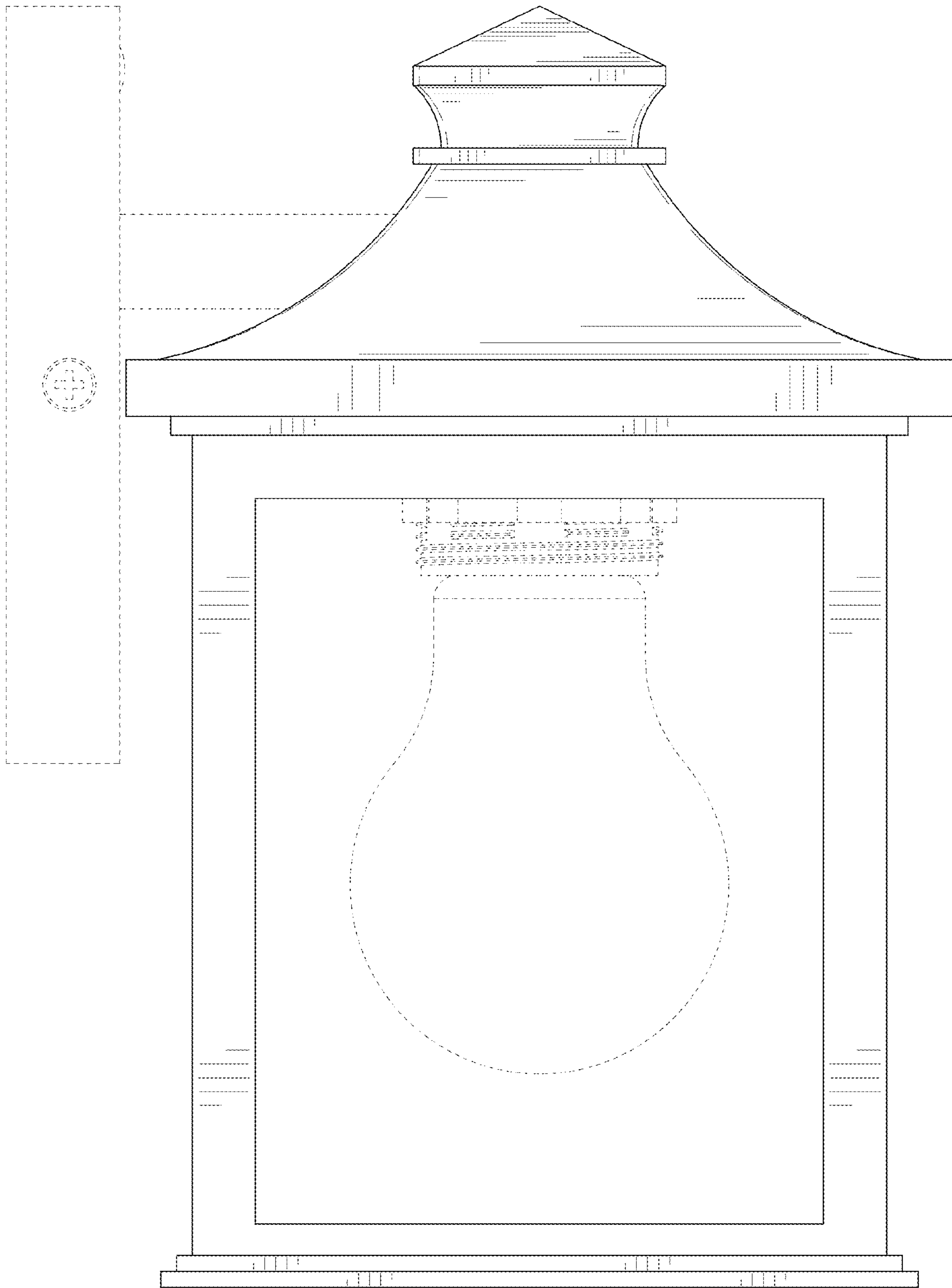


FIG. 5

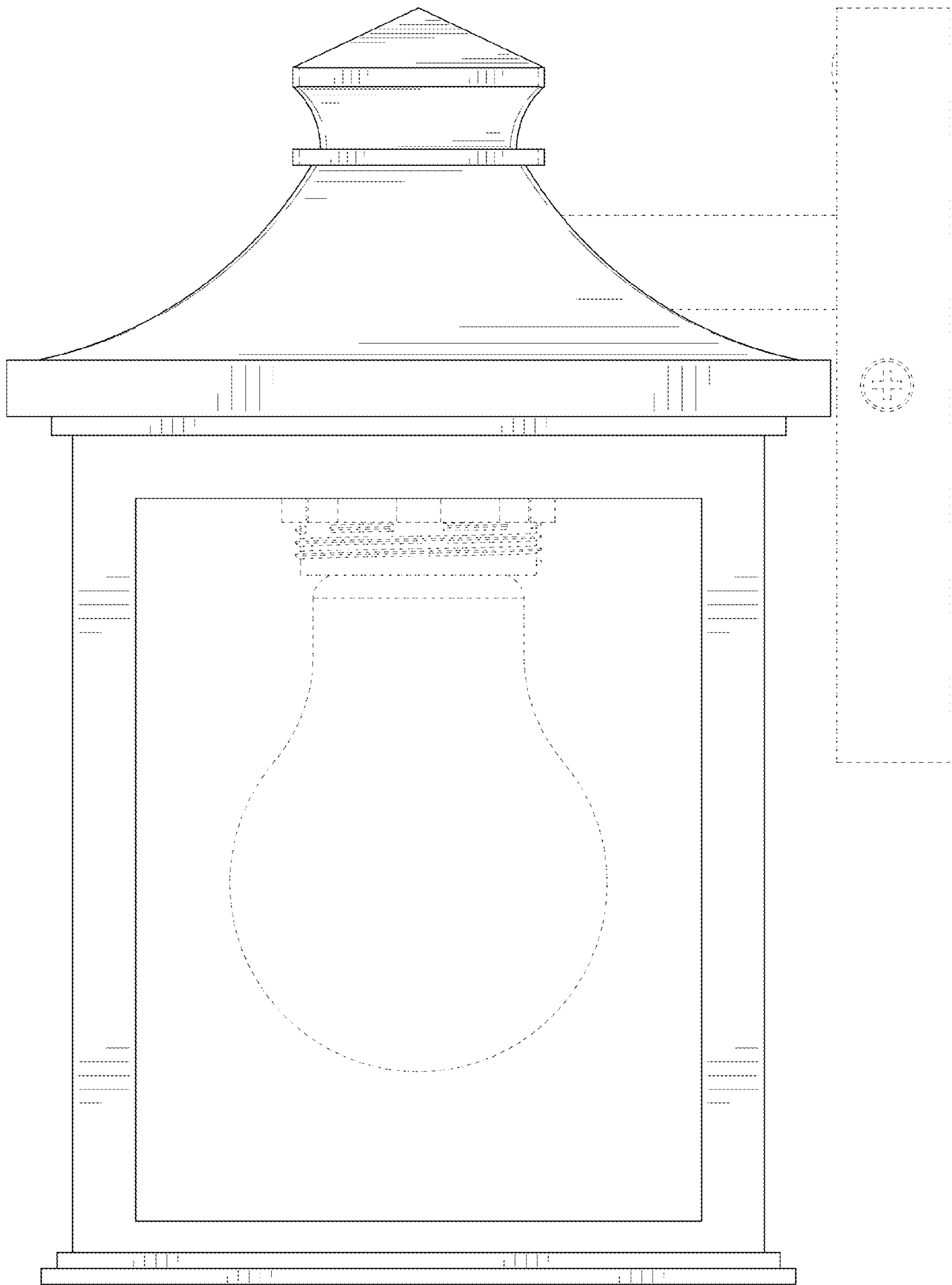


FIG. 6

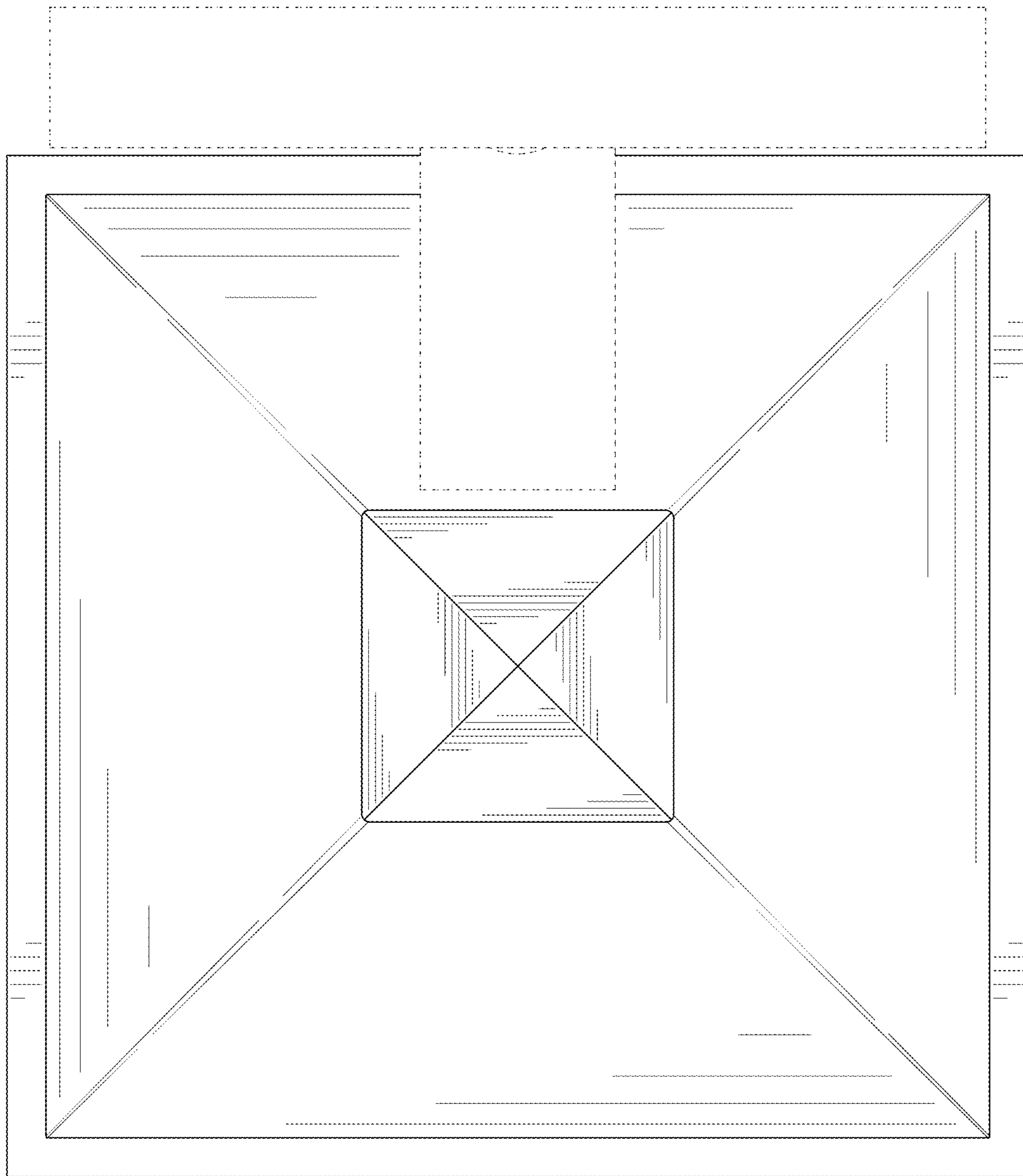


FIG. 7

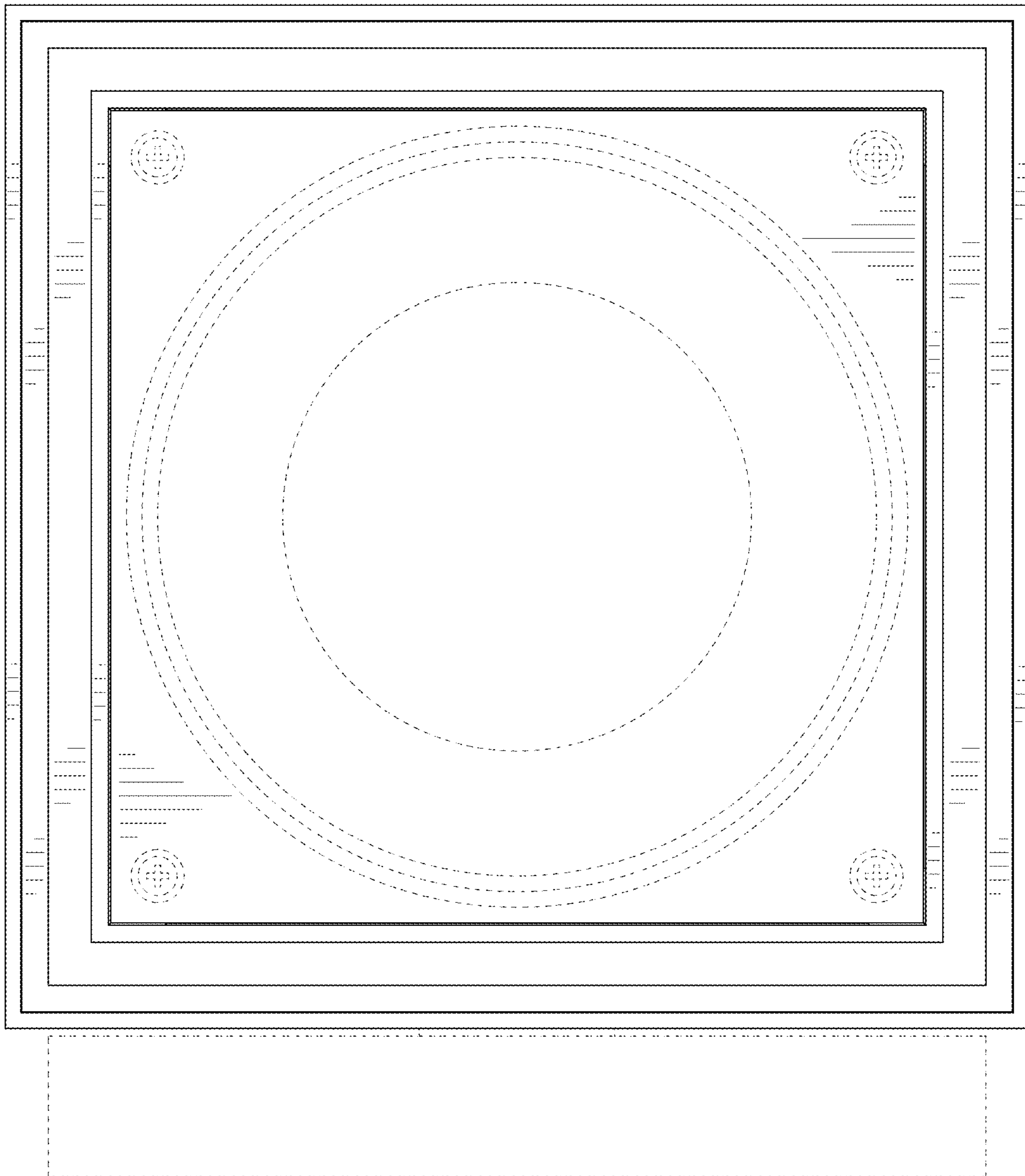


FIG. 8

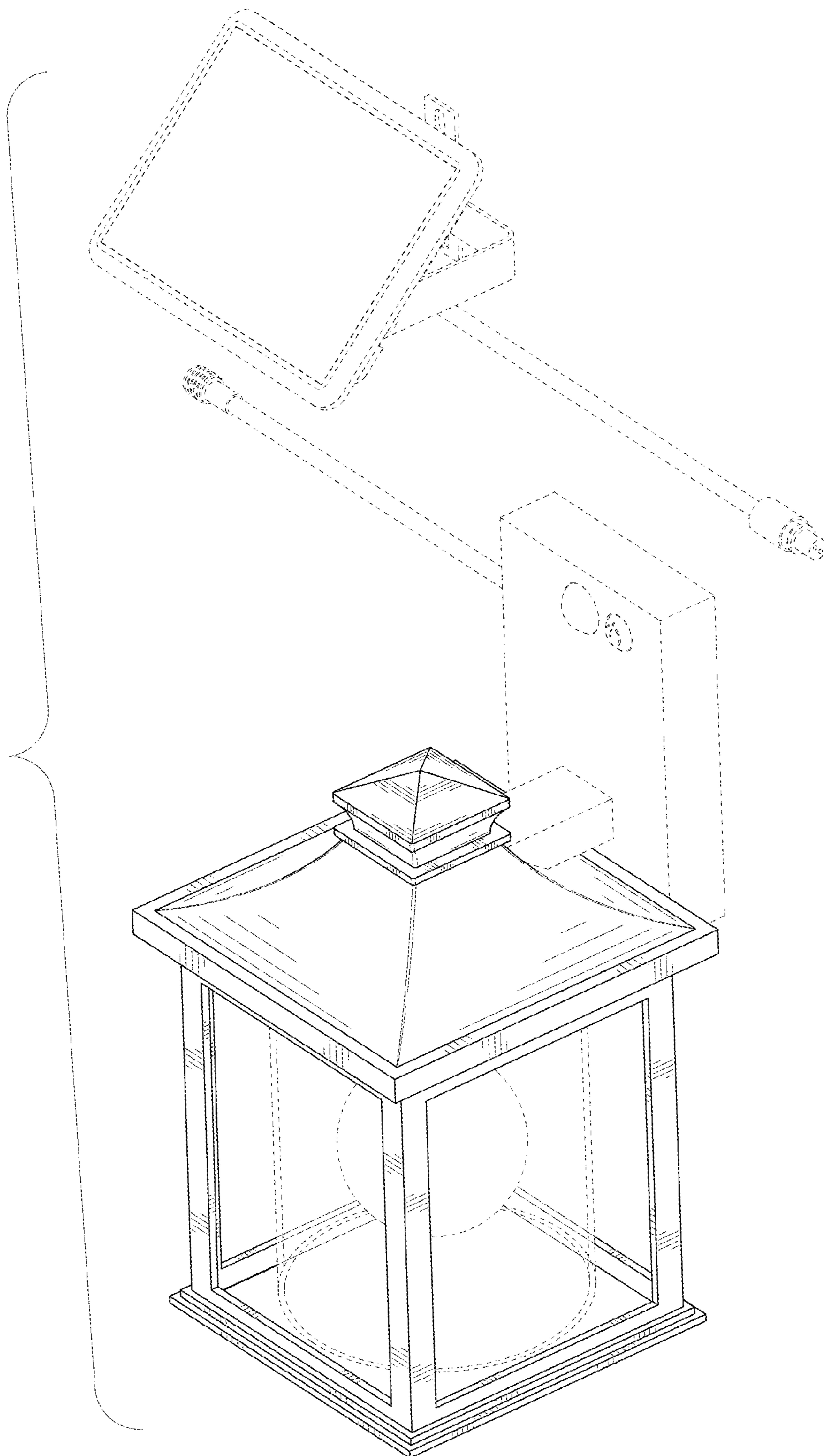


FIG. 9