



US00D980495S

(12) **United States Design Patent**
Gao

(10) **Patent No.:** **US D980,495 S**
(45) **Date of Patent:** **** Mar. 7, 2023**

(54) **LAMP**

(71) Applicant: **Mingwei Gao**, Baisha Li Autonomous County (CN)

(72) Inventor: **Mingwei Gao**, Baisha Li Autonomous County (CN)

(**) Term: **15 Years**

(21) Appl. No.: **29/847,874**

(22) Filed: **Jul. 28, 2022**

(51) **LOC (14) Cl.** **26-03**

(52) **U.S. Cl.**
USPC **D26/87; D26/86**

(58) **Field of Classification Search**
USPC D26/72, 80, 85, 86, 87, 92
CPC .. F21S 8/033; F21S 8/035; F21S 8/036; F21S 8/046

See application file for complete search history.

(56) **References Cited**

U.S. PATENT DOCUMENTS

D608,488 S * 1/2010 Miranda D26/86
D815,773 S 4/2018 Ellis et al.
D816,882 S * 5/2018 Qiao D26/86
(Continued)

OTHER PUBLICATIONS

Solfart Modern Led Vanity Light Fixture, ASIN: B0B6C2NM8R.
Available from amazon.com Jul. 12, 2022. (Year: 2022).*
(Continued)

Primary Examiner — Clare E Heflin

(74) *Attorney, Agent, or Firm* — Daniel M. Cohn;
Howard M. Cohn

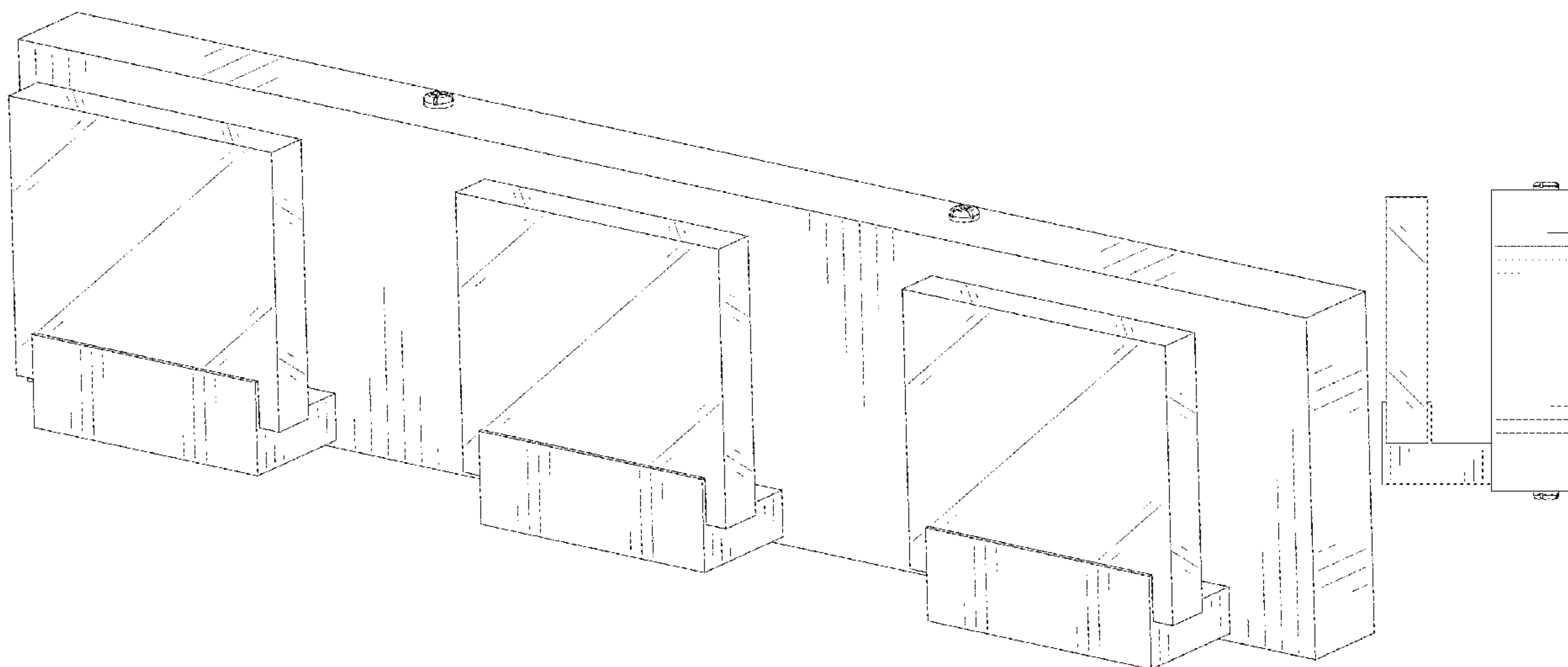
(57) **CLAIM**

The ornamental design for a lamp, as shown and described.

DESCRIPTION

FIG. 1 is a perspective view of a first embodiment of a lamp showing my new design;
FIG. 2 is another perspective view thereof;
FIG. 3 is a front elevational view thereof;
FIG. 4 is a rear elevational view thereof;
FIG. 5 is a left side elevational view thereof;
FIG. 6 is a right side elevational view thereof;
FIG. 7 is a top plan view thereof;
FIG. 8 is a bottom plan view thereof;
FIG. 9 is a perspective view of a second embodiment of the lamp;
FIG. 10 is another perspective view thereof;
FIG. 11 is a front elevational view thereof;
FIG. 12 is a rear elevational view thereof;
FIG. 13 is a left side elevational view thereof;
FIG. 14 is a right side elevational view thereof;
FIG. 15 is a top plan view thereof;
FIG. 16 is a bottom plan view thereof;
FIG. 17 is a perspective view of a third embodiment of the lamp;
FIG. 18 is another perspective view thereof;
FIG. 19 is a front elevational view thereof;
FIG. 20 is a rear elevational view thereof;
FIG. 21 is a left side elevational view thereof;
FIG. 22 is a right side elevational view thereof;
FIG. 23 is a top plan view thereof;
FIG. 24 is a bottom plan view thereof;
FIG. 25 is a perspective view of a fourth embodiment of the lamp;
FIG. 26 is another perspective view thereof;
FIG. 27 is a front elevational view thereof;
FIG. 28 is a rear elevational view thereof;
FIG. 29 is a left side elevational view thereof;
FIG. 30 is a right side elevational view thereof;
FIG. 31 is a top plan view thereof; and,
FIG. 32 is a bottom plan view thereof.
The broken lines in the drawings depict portions of the lamp that form no part of the claimed design.

1 Claim, 32 Drawing Sheets



(56)

References Cited

U.S. PATENT DOCUMENTS

D879,353 S * 3/2020 Lin D26/86
D887,617 S 6/2020 Wang
D908,265 S * 1/2021 Zheng D26/86
D925,807 S * 7/2021 Chen D26/86
D933,873 S * 10/2021 Lin D26/80
D950,133 S * 4/2022 Lin D26/86
D954,334 S * 6/2022 Liu D26/87
D955,624 S * 6/2022 Liu D26/87
D970,787 S * 11/2022 Zheng D26/86
2013/0077295 A1 * 3/2013 Hayashi H01L 33/00
362/217.05

OTHER PUBLICATIONS

Ralbay Bathroom Vanity Light Fixture, ASIN: B08SHRC77K.
Available from amazon.com Jan. 8, 2021. (Year: 2021).*

Tipace Modern Black Vanity Light Up and Down Fixture, ASIN:
B08R9HW1SQ. Available from amazon.com Dec. 25, 2020. (Year:
2020).*

World of Lamp Bathroom Vanity Light Fixture, ASIN: B07PGF4C2F.
Available from amazon.com Mar. 5, 2019. (Year: 2019).*

* cited by examiner

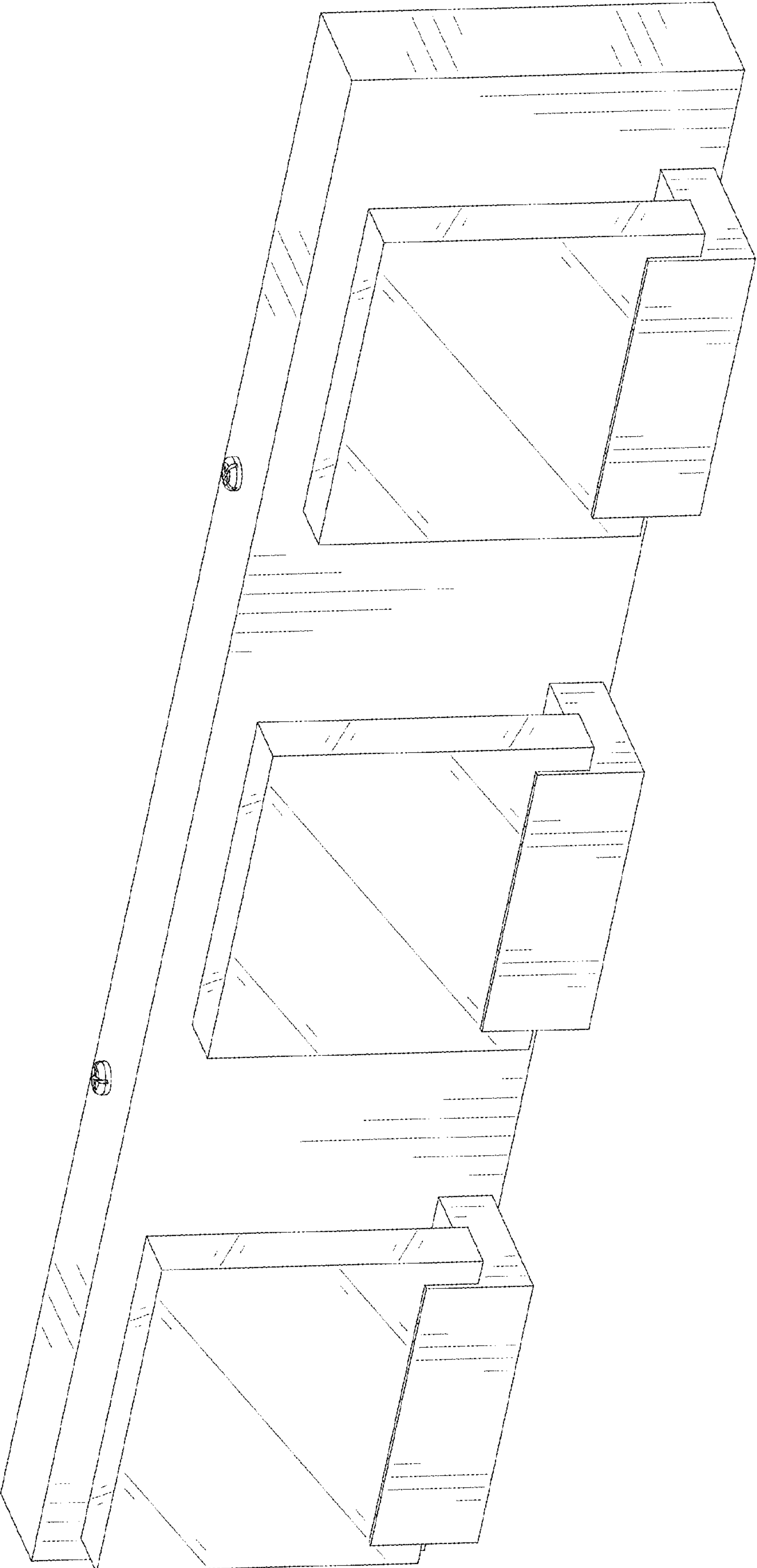


FIG. 1

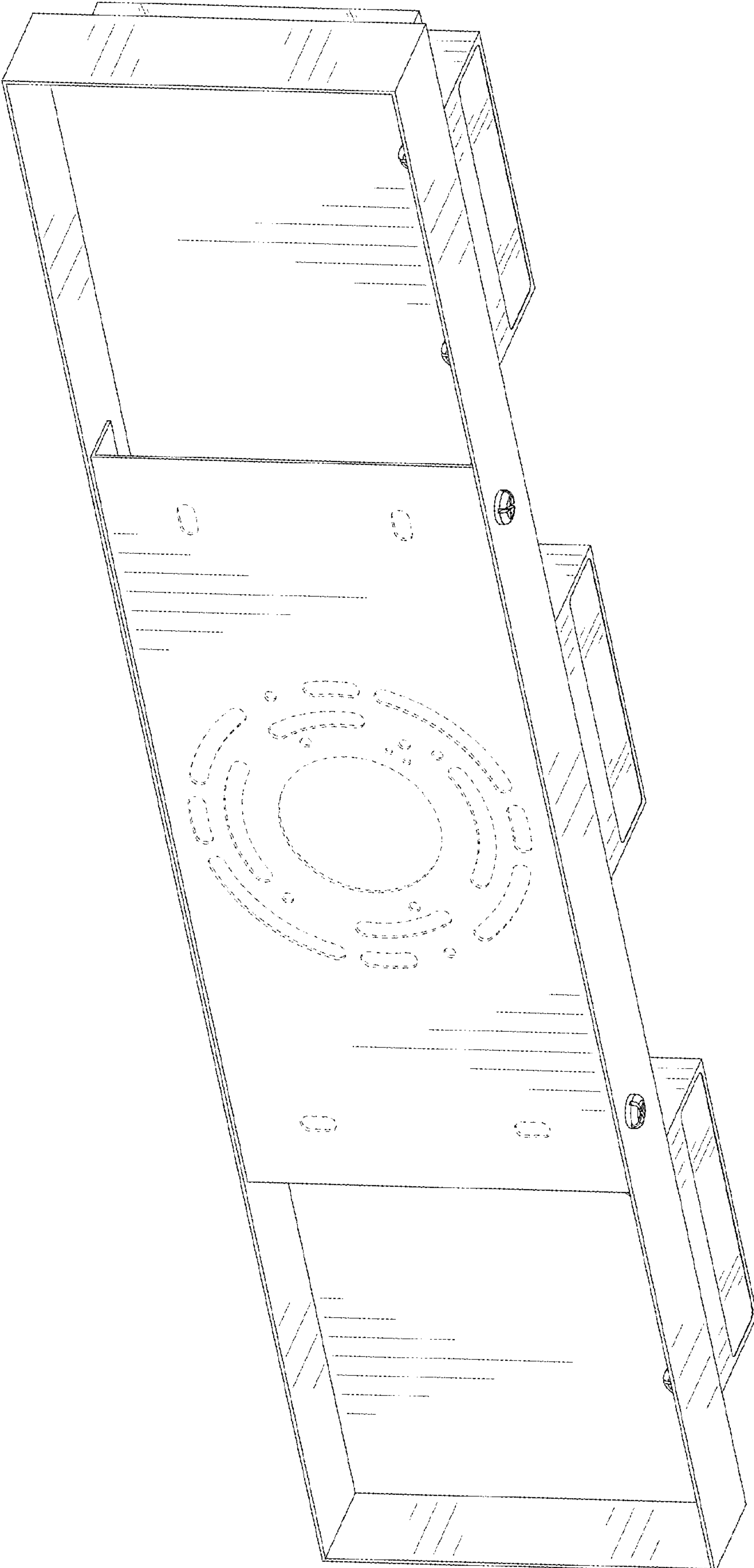


FIG. 2

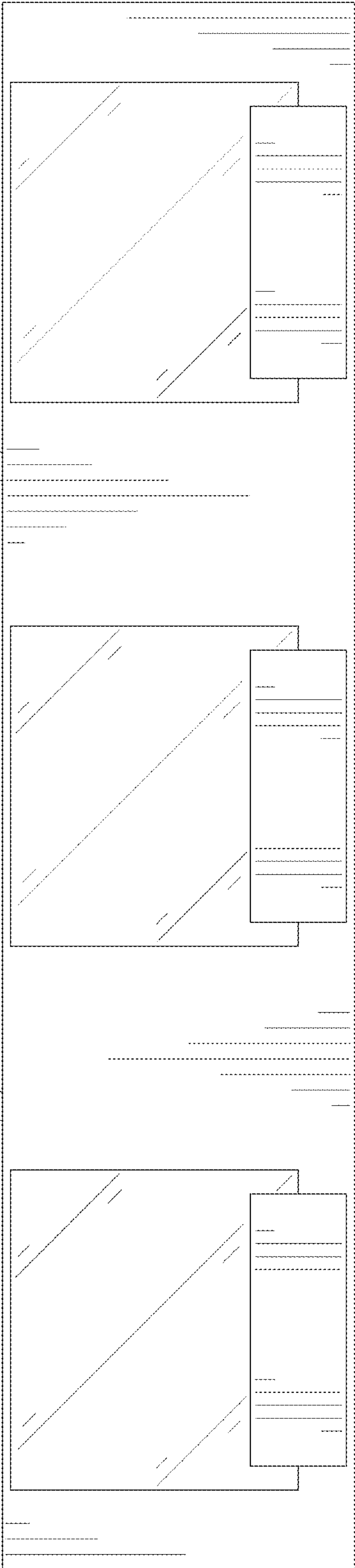


FIG. 3

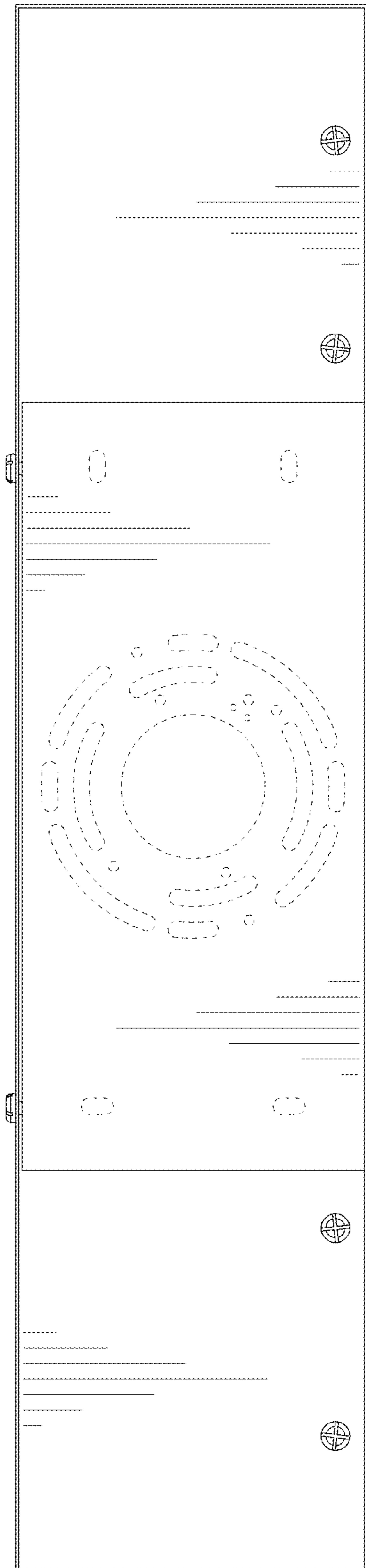


FIG. 4

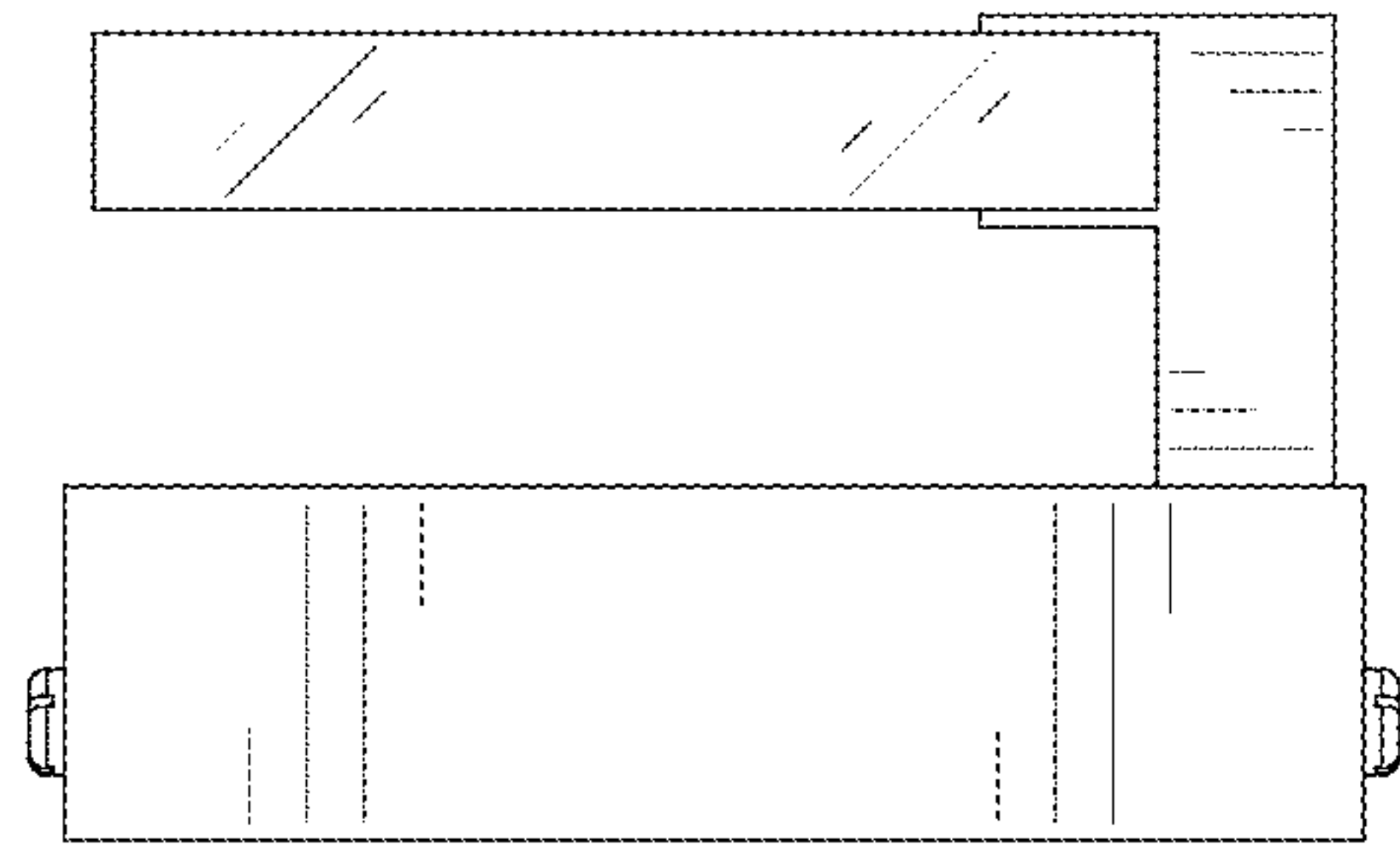


FIG. 5

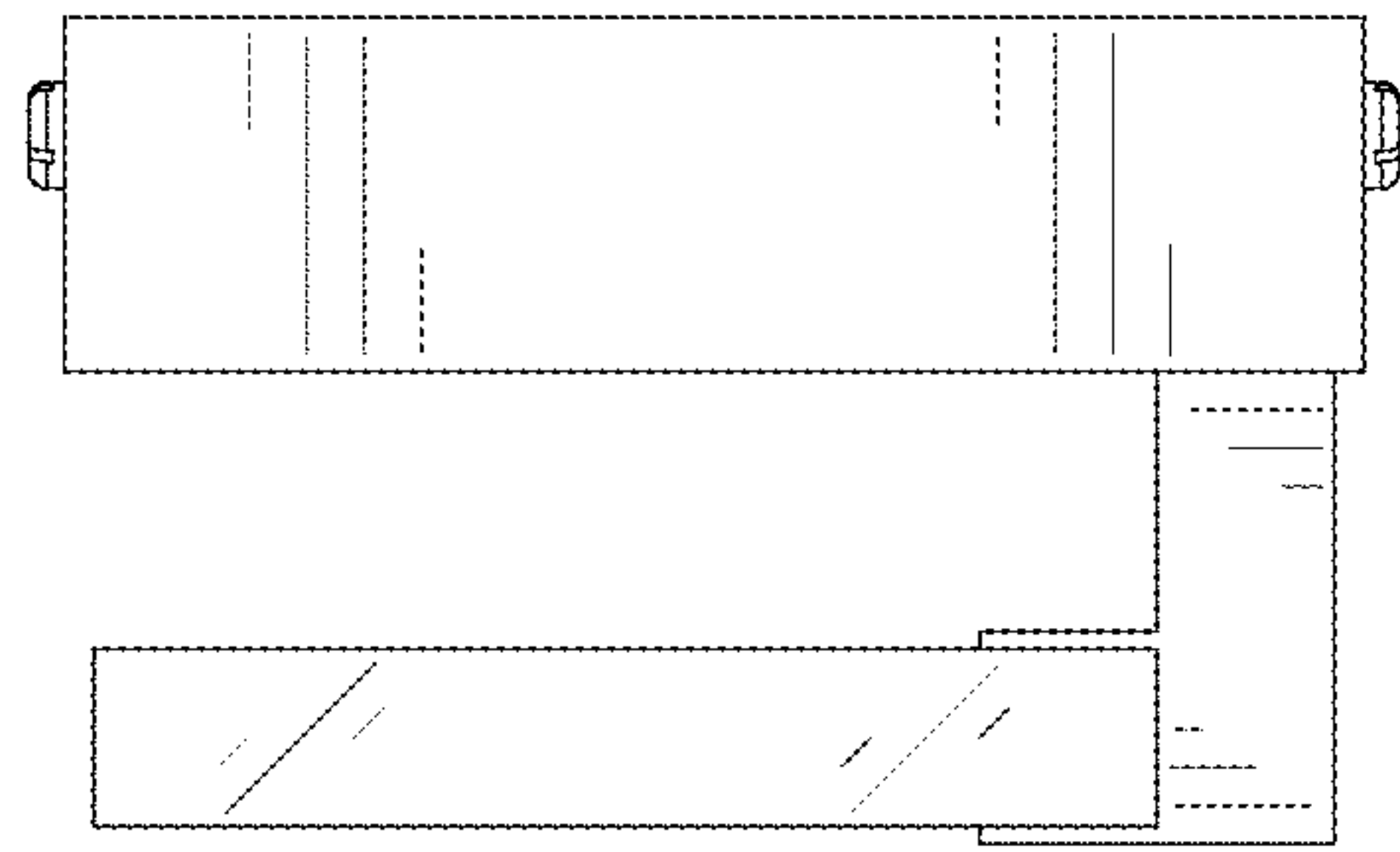


FIG. 6

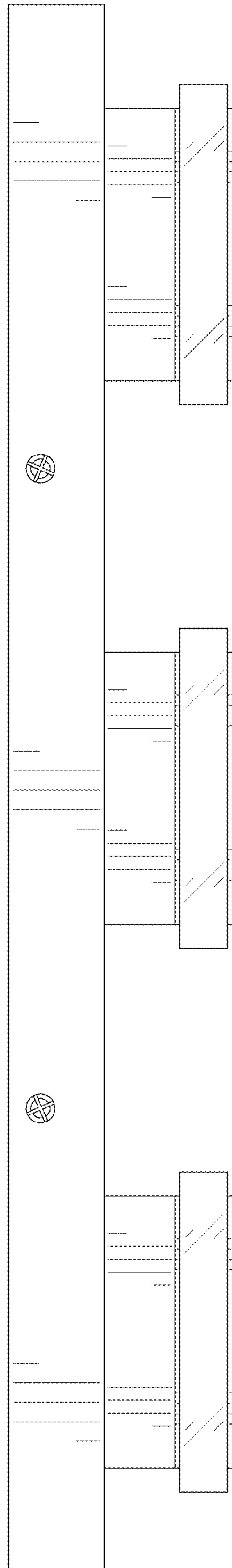


FIG. 7

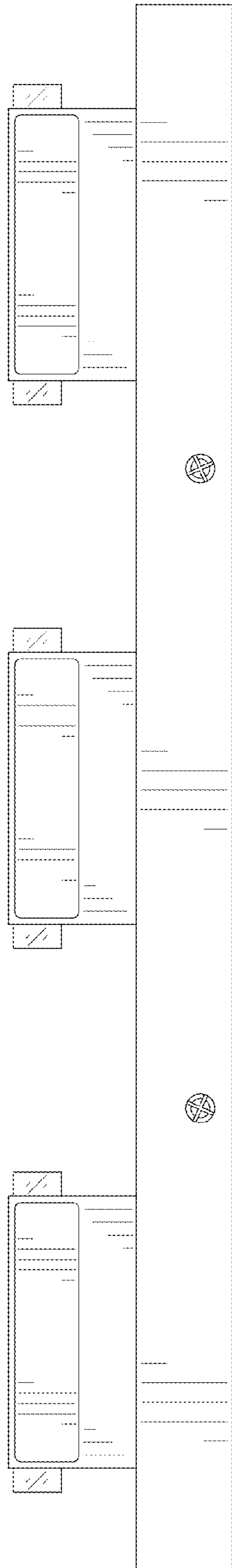


FIG. 8

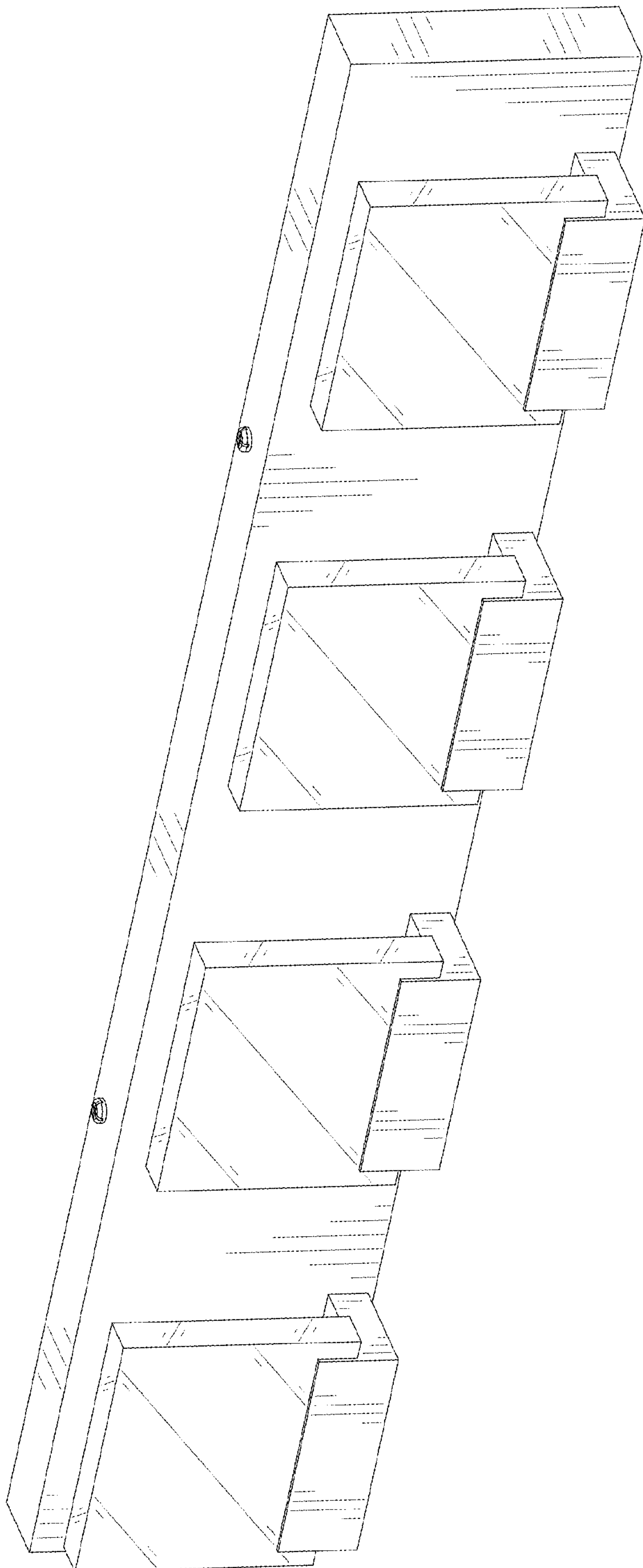


FIG. 9

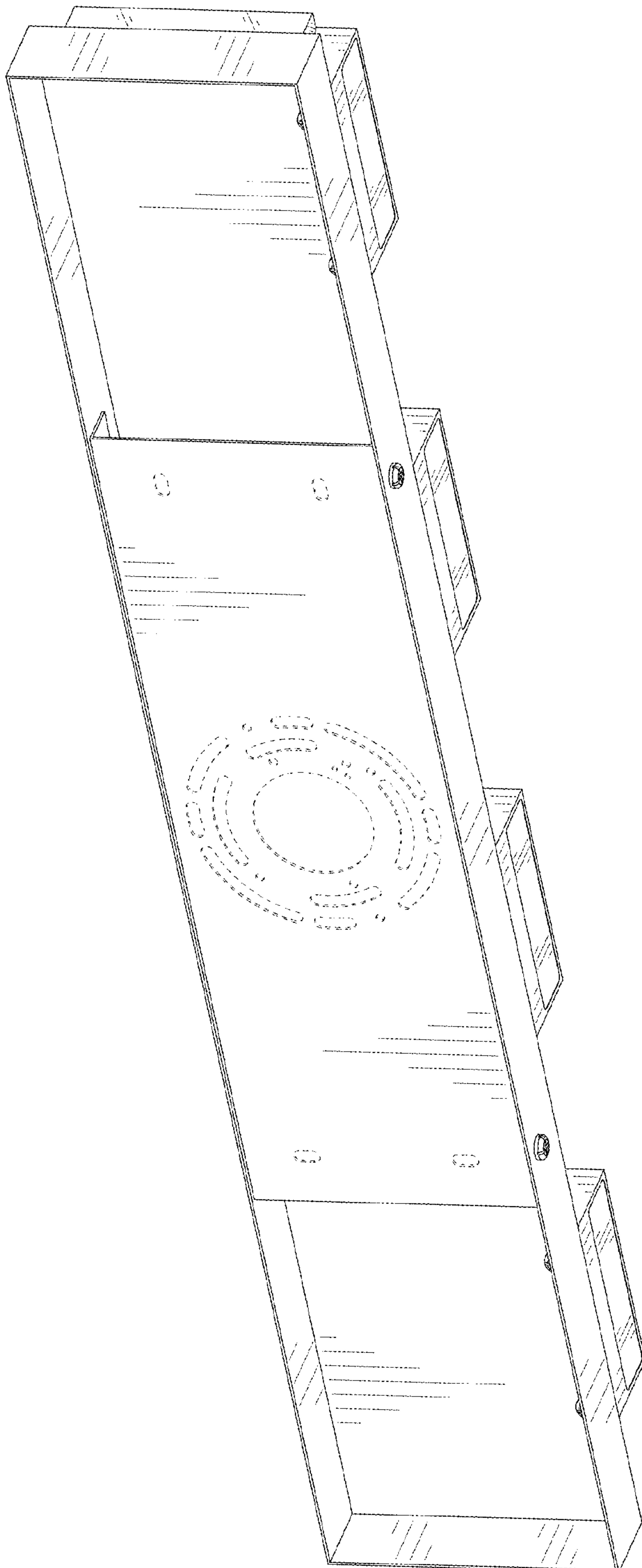


FIG. 10

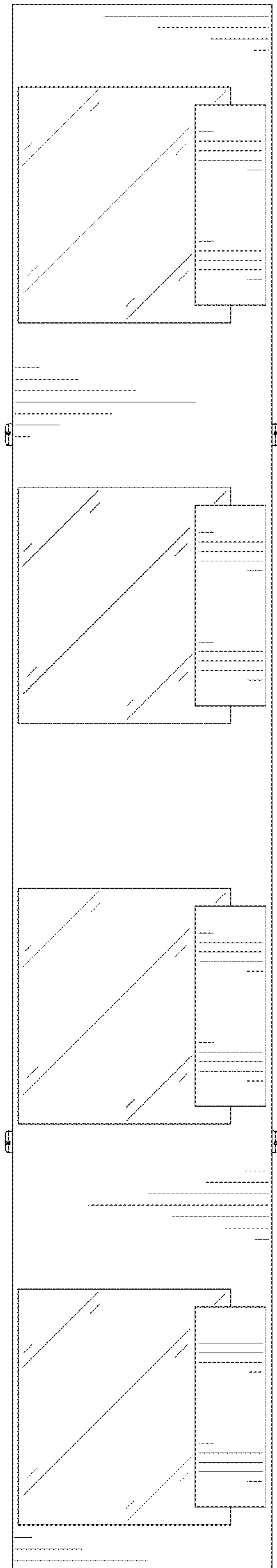


FIG. 11

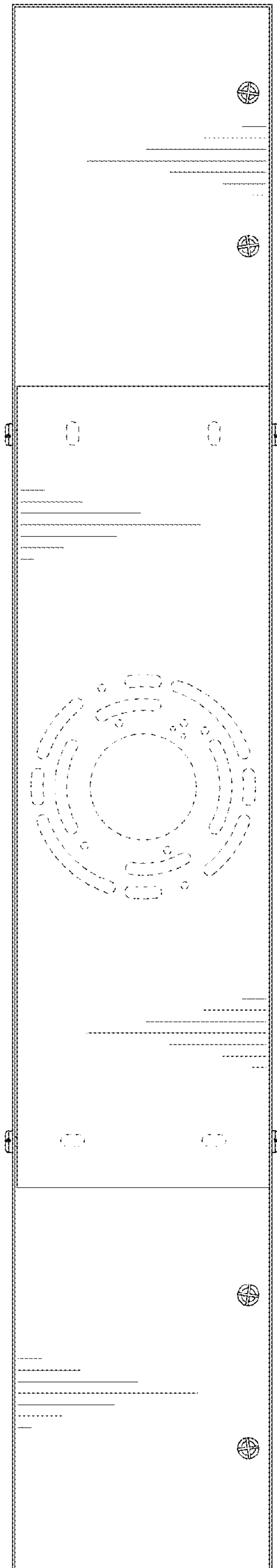


FIG. 12

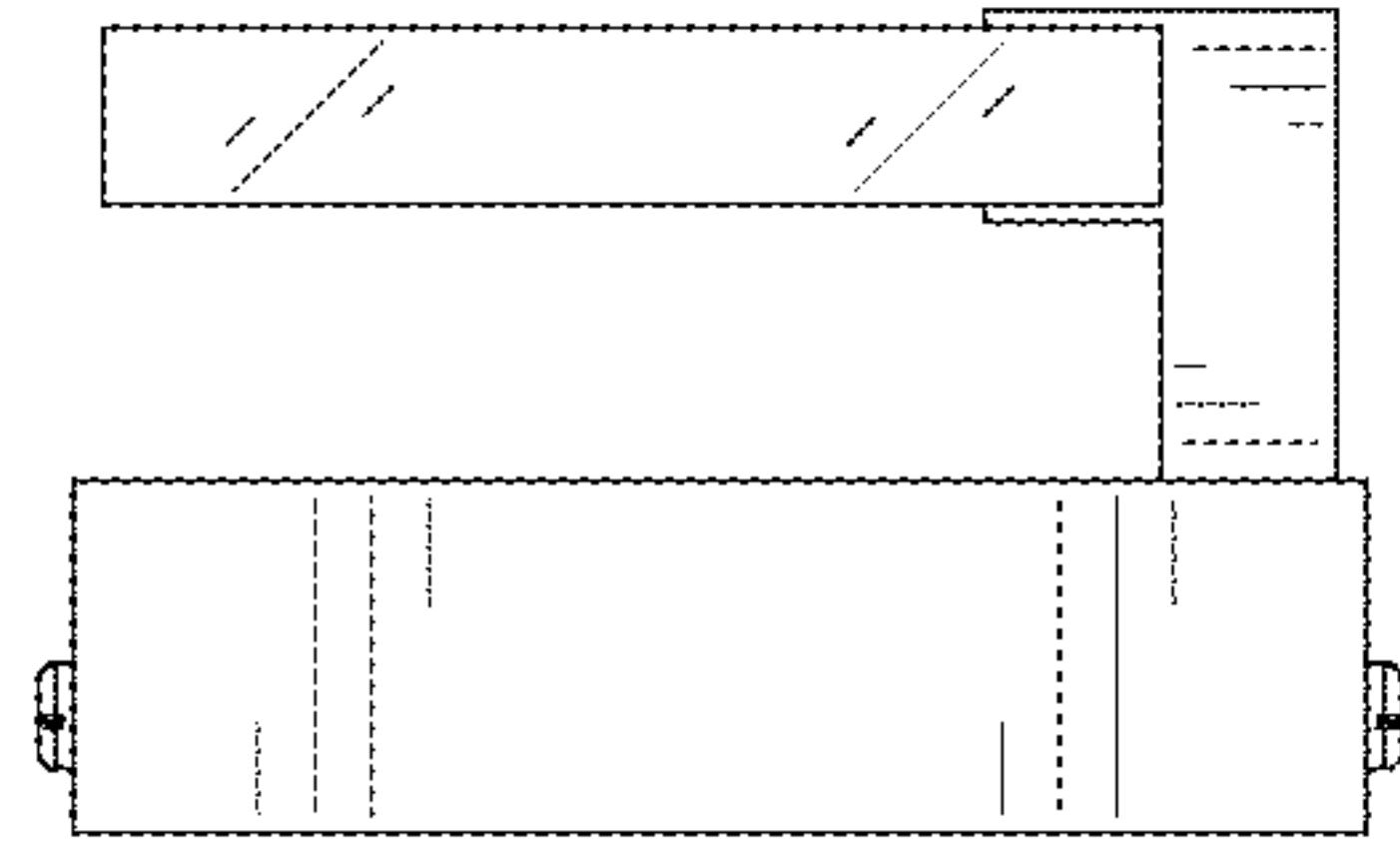


FIG. 13

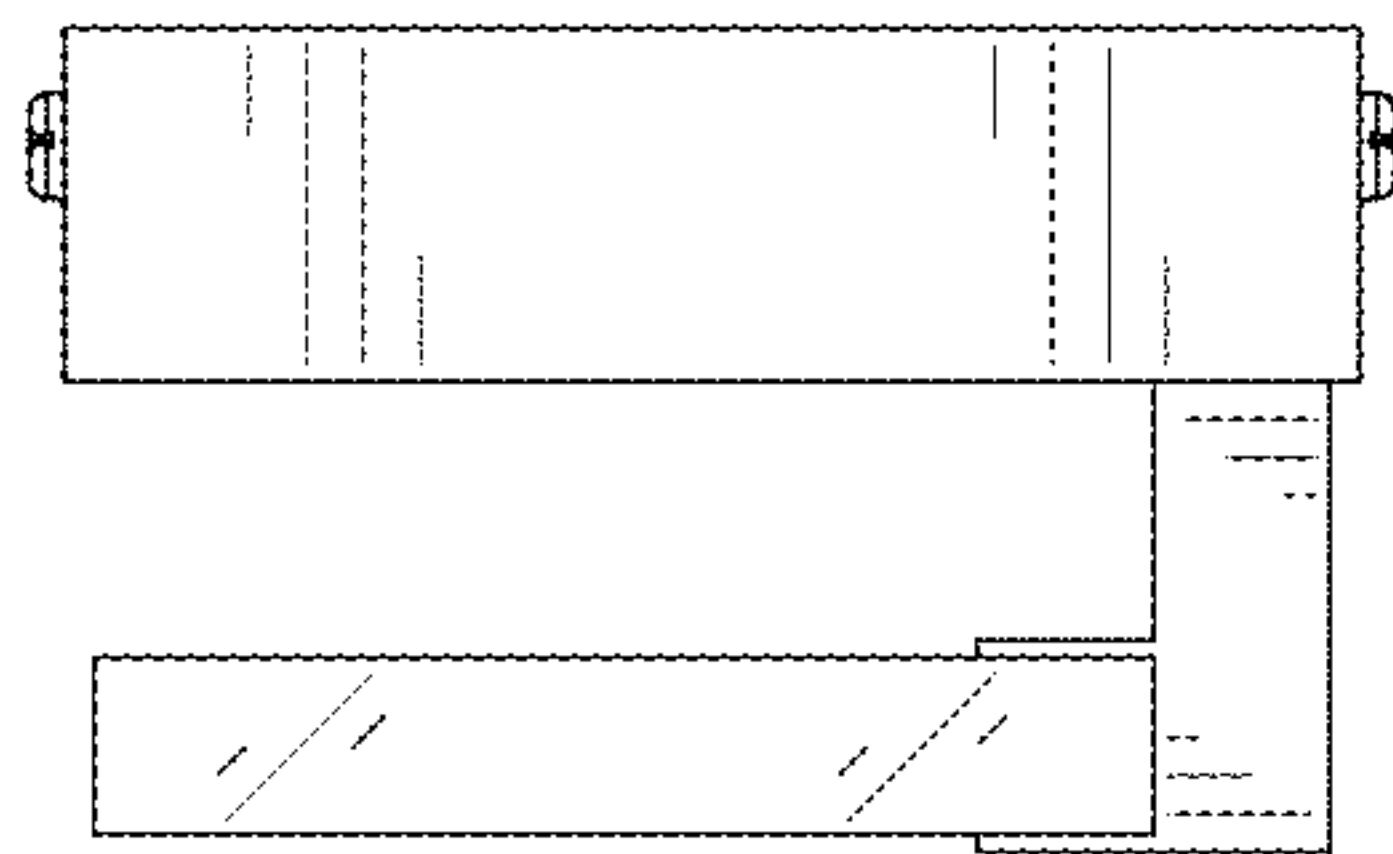


FIG. 14

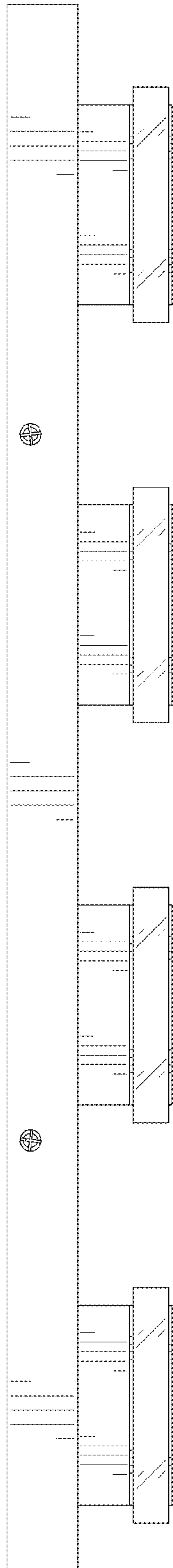


FIG. 15

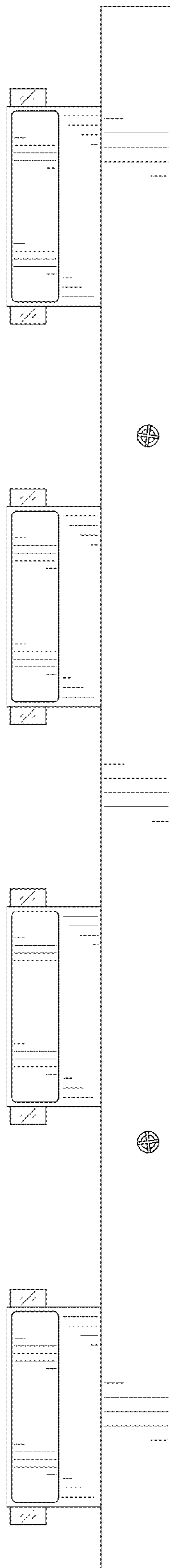


FIG. 16

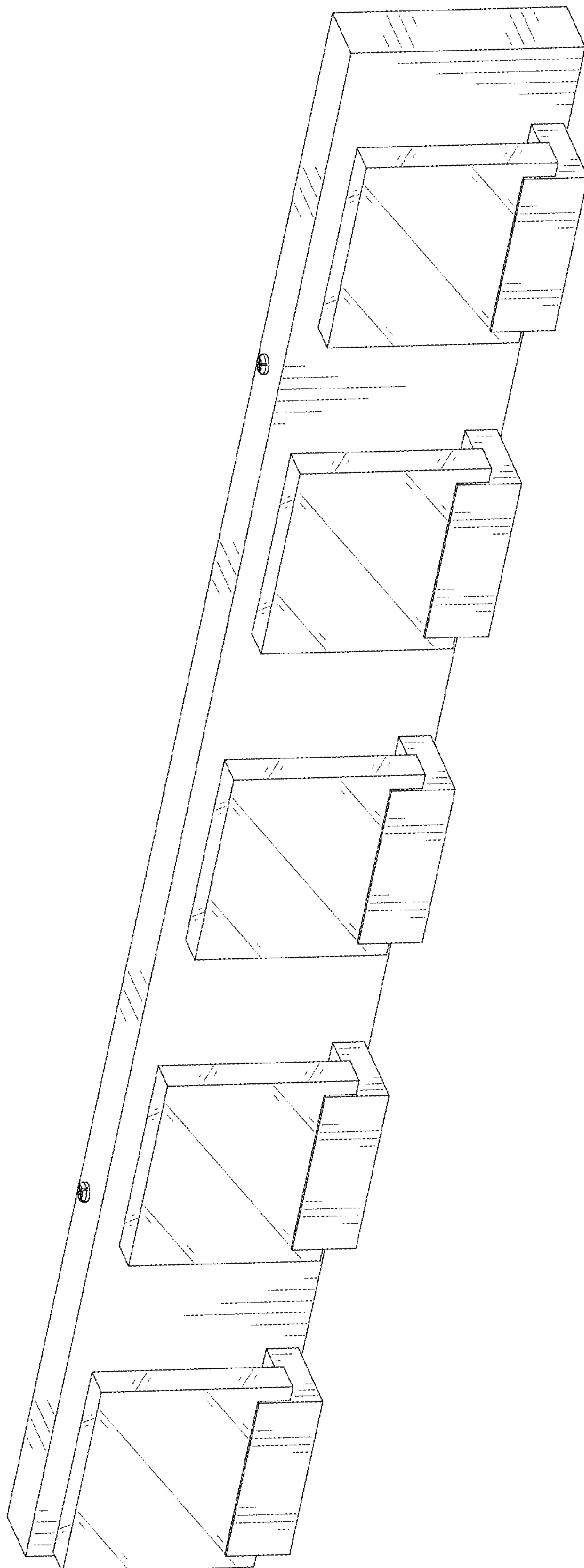


FIG. 17

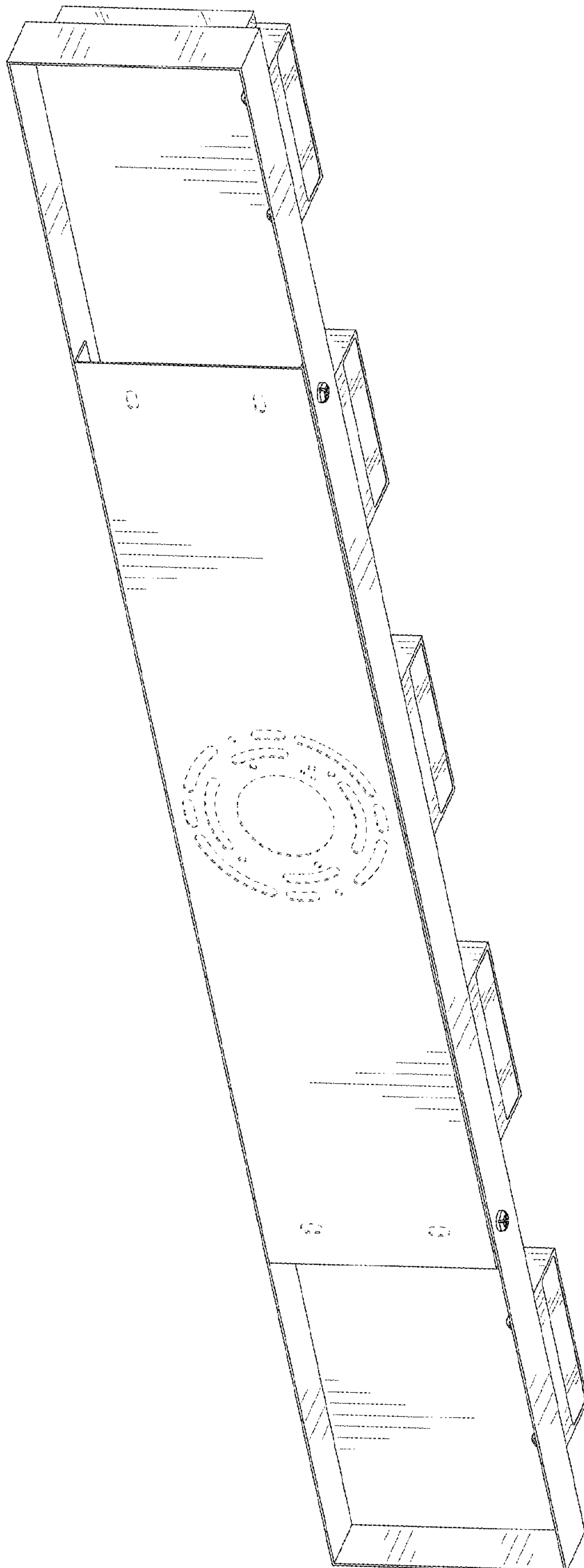


FIG. 18

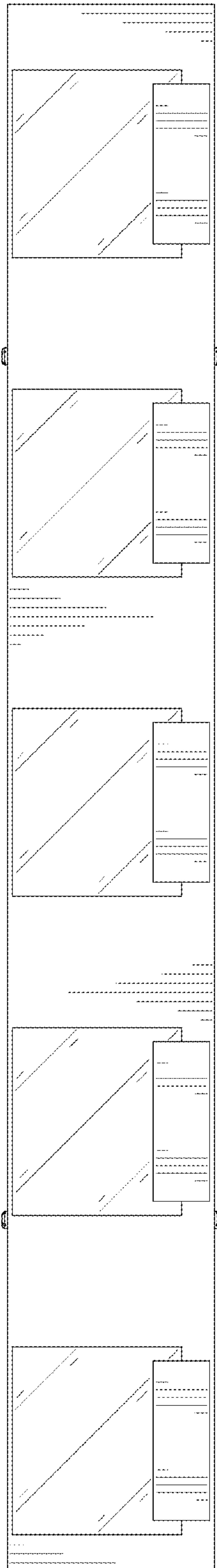


FIG. 19

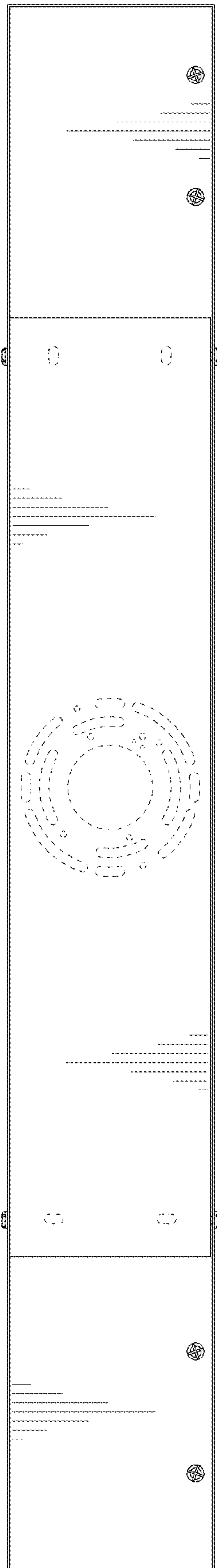


FIG. 20

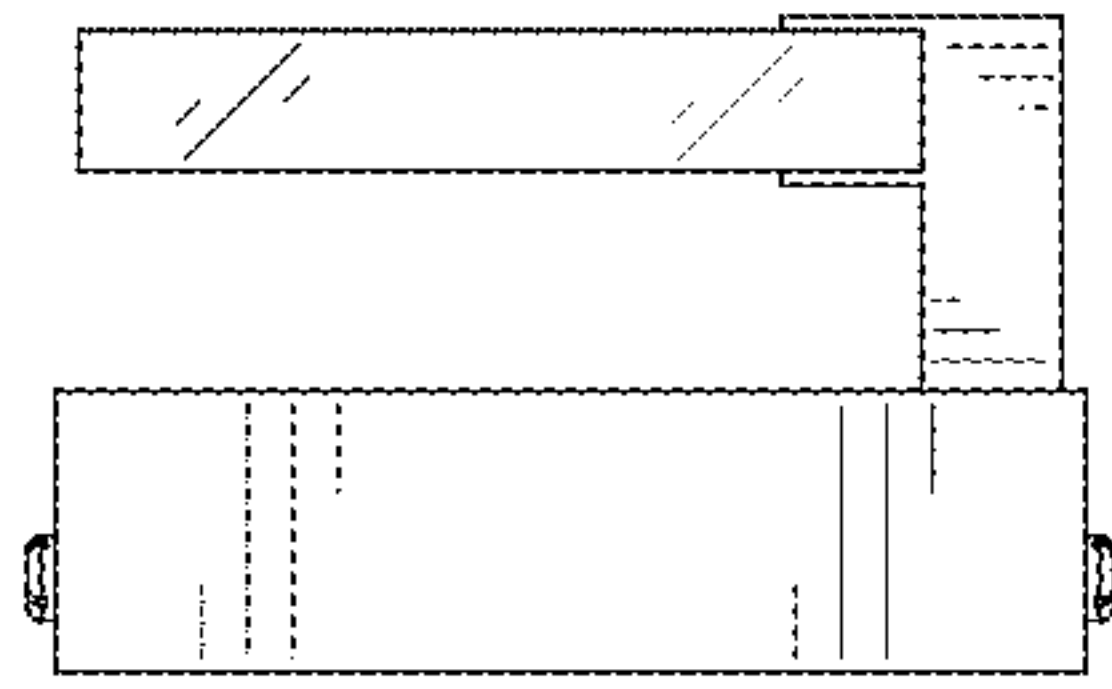


FIG. 21

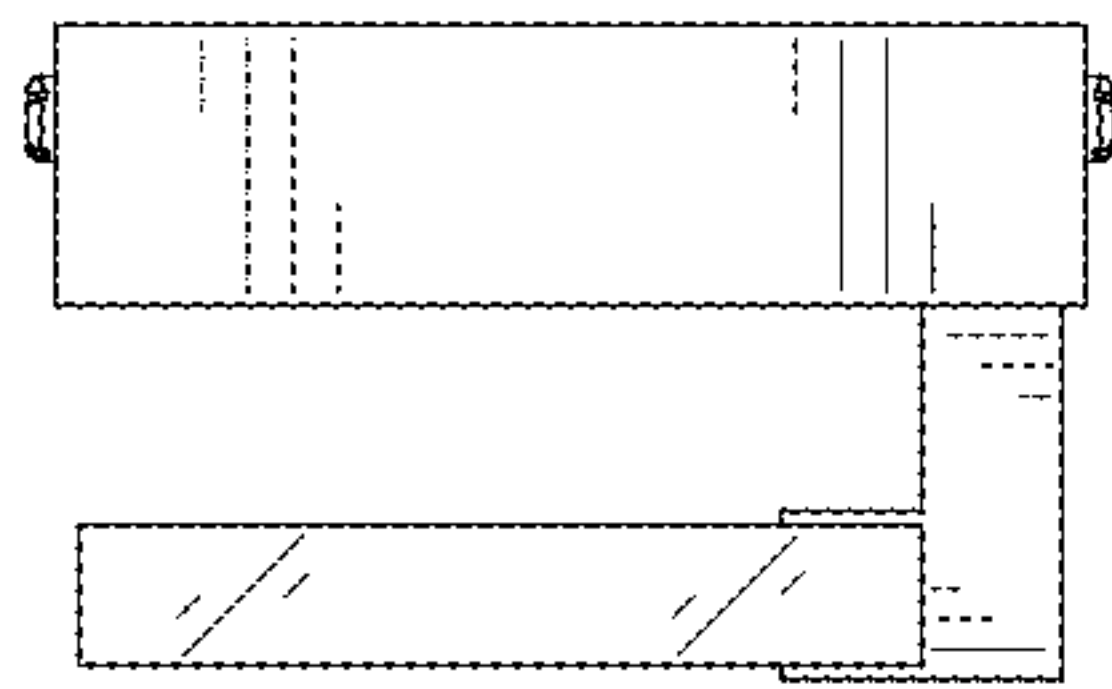


FIG. 22

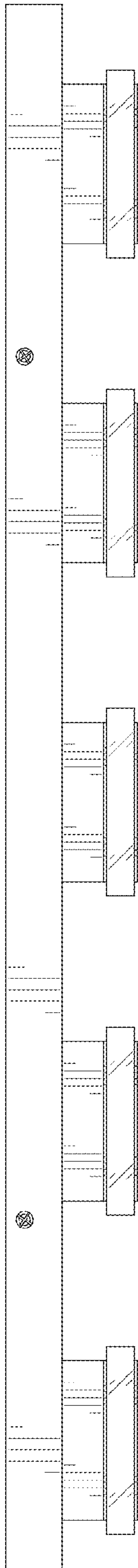


FIG. 23

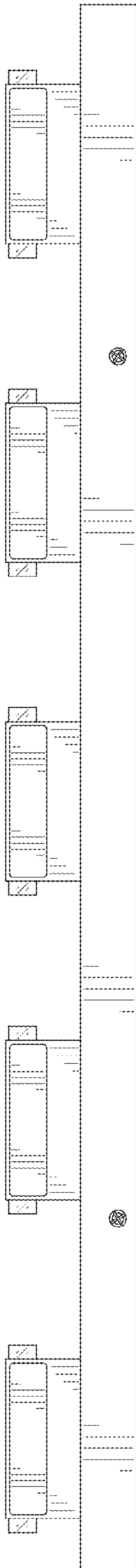


FIG. 24

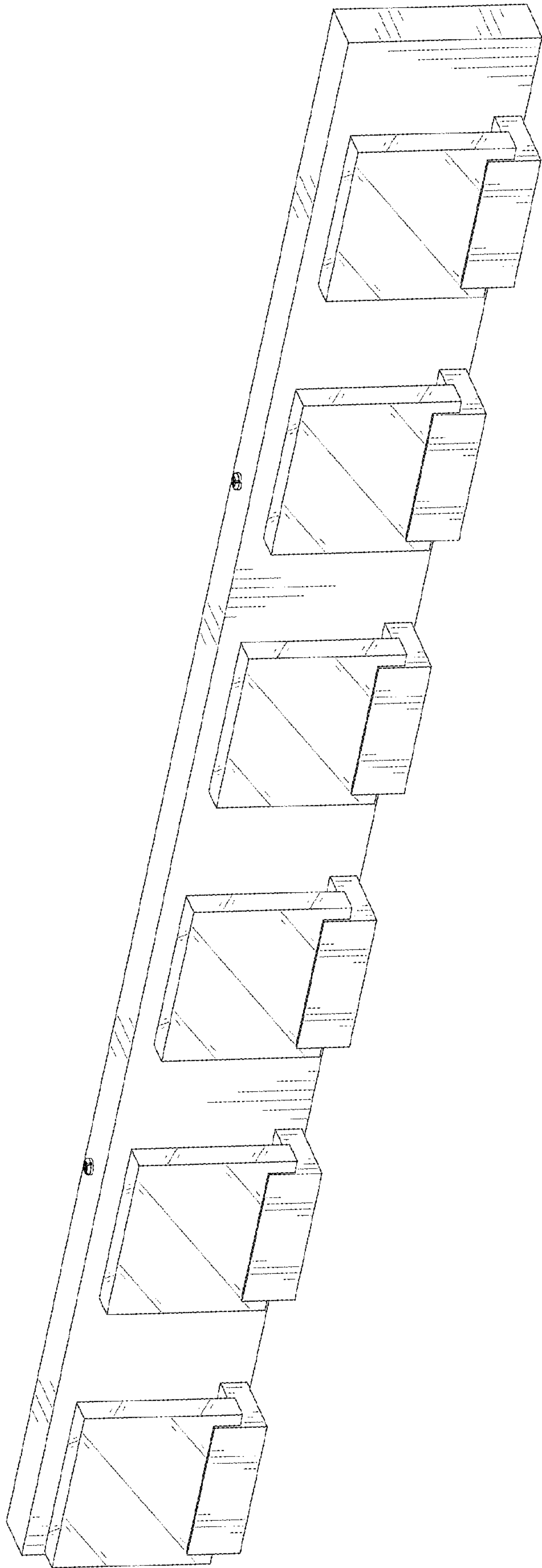


FIG. 25

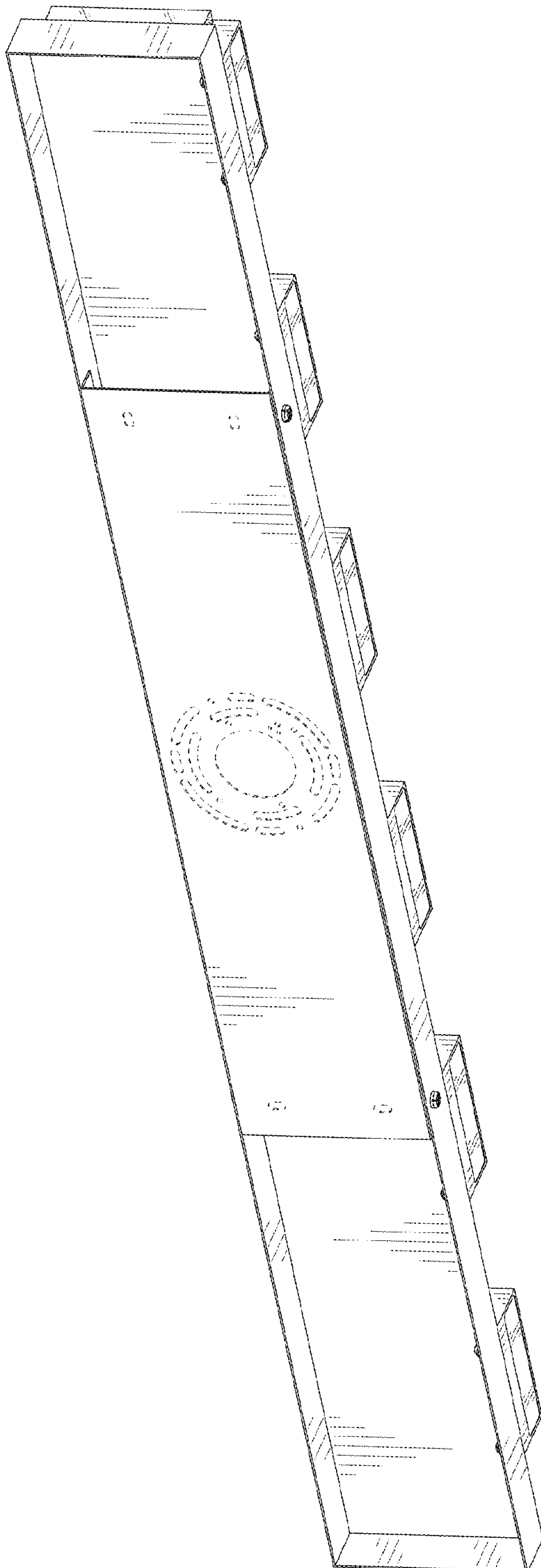


FIG. 26

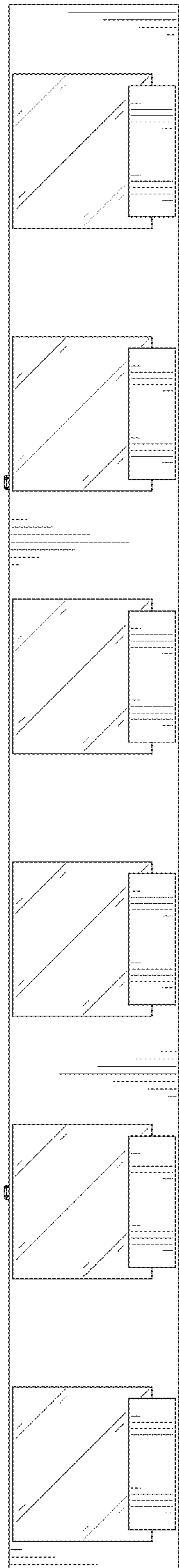


FIG. 27

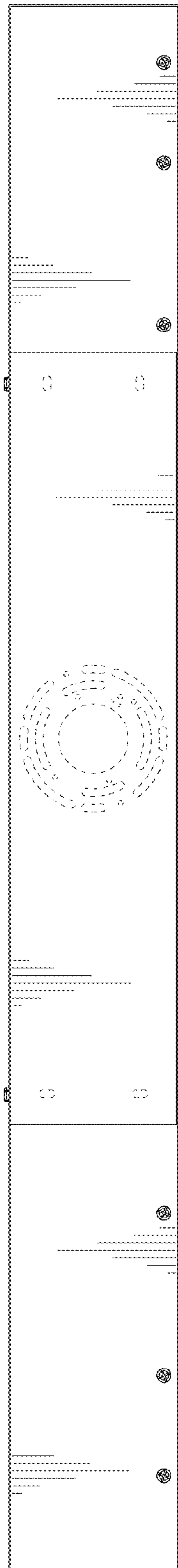


FIG. 28

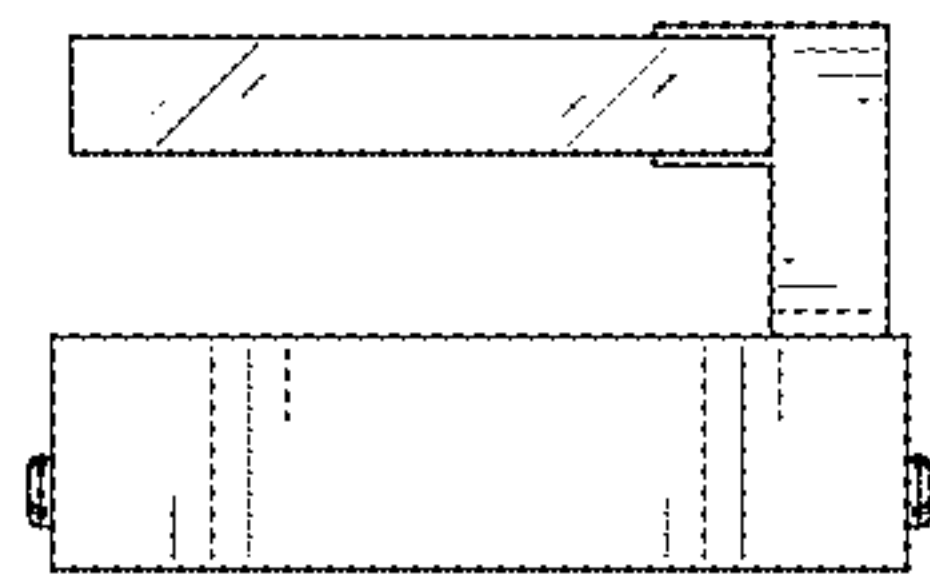


FIG. 29

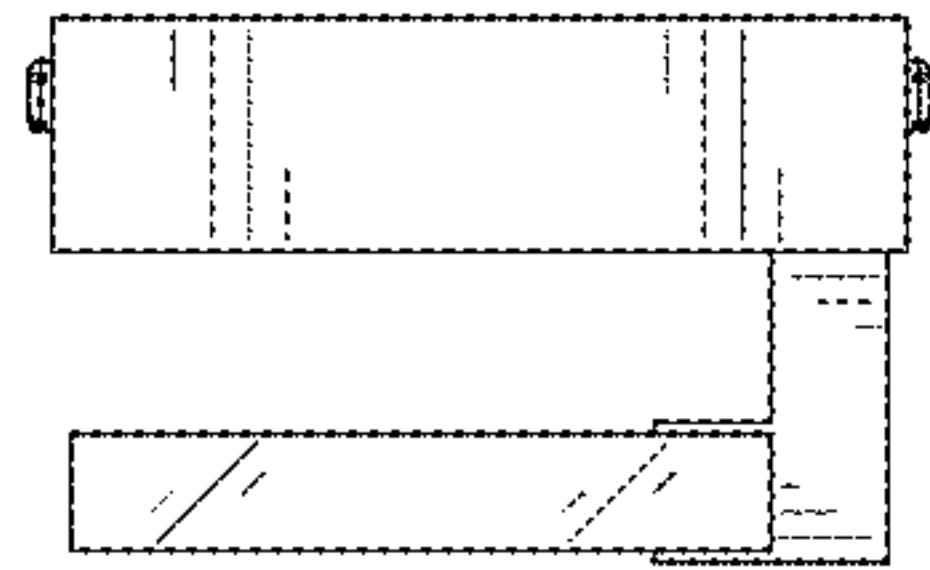


FIG. 30

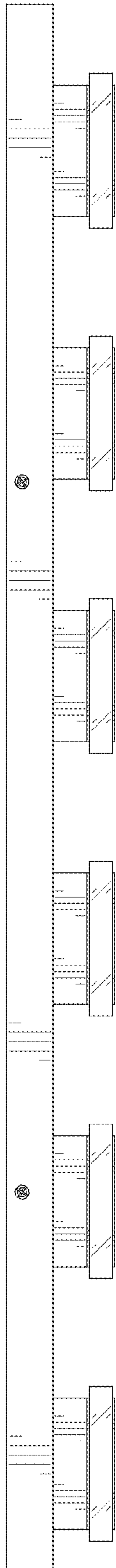


FIG. 31

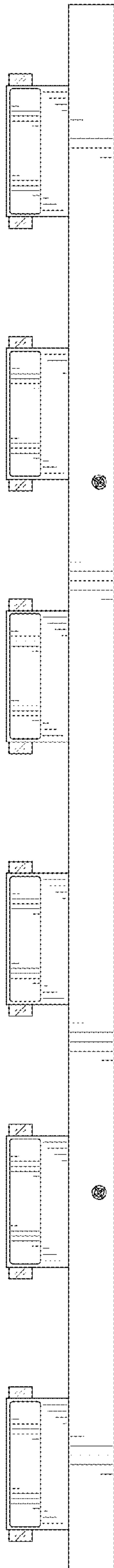


FIG. 32