



US00D980493S

(12) **United States Design Patent**
Liang

(10) **Patent No.:** **US D980,493 S**

(45) **Date of Patent:** **** Mar. 7, 2023**

(54) **LAMP**

(71) Applicant: **Shenzhen Shiduzhaoming Co., Ltd.**,
Shenzhen (CN)

(72) Inventor: **Guanzhuo Liang**, Maoming (CN)

(**) Term: **15 Years**

(21) Appl. No.: **29/856,214**

(22) Filed: **Oct. 12, 2022**

(51) **LOC (14) Cl.** **26-05**

(52) **U.S. Cl.**
USPC **D26/72; D26/88**

(58) **Field of Classification Search**
USPC D26/72, 75, 76, 80, 81, 83, 84, 85, 86,
D26/88-91, 118
CPC F21K 9/00; F21K 9/20; F21L 4/00; F21S
6/002; F21S 6/004; F21S 6/005; F21S
8/035; F21S 13/12

See application file for complete search history.

(56) **References Cited**

U.S. PATENT DOCUMENTS

1,097,910	A *	5/1914	Broad	F21L 4/00 429/97
D596,780	S *	7/2009	Thun	D26/88
D731,695	S *	6/2015	Pyle	D26/88
D768,906	S *	10/2016	Sonneman	D26/88
D783,196	S *	4/2017	Arndt	D26/90
D792,007	S *	7/2017	Sonneman	D26/88
D859,722	S *	9/2019	Sonneman	D26/90
D860,508	S *	9/2019	Coombes	D26/88
D862,768	S *	10/2019	Richardson	D26/84
D913,569	S *	3/2021	Arola	D26/88
D948,100	S *	4/2022	Coombes	D26/81
D957,028	S	7/2022	Diez		
D962,519	S	8/2022	Diez		
D962,525	S	8/2022	Lin		

OTHER PUBLICATIONS

Camastar Matte Brass Pendant Lighting with Circle Ring [online], [site visited Nov. 30, 2022]. Available from internet, URL: <https://www.amazon.com/Camastar-Pendant-Fixtures-Lighting-Chandelier/dp/B0B5V9MGHB?source=ps-sl-shoppingads-lpcontext&ref_=fplfs&smid=A3P3691D63AEKB&th=1> (Year: 2022).*

Clear Glass Cubic Hanging Lamp [online], [site visited Nov. 30, 2022]. Available from internet, URL: <https://www.clearhalo.com/products/clear-glass-cubic-hanging-lamp-kit-contemporary-gold-pendant-ceiling-light-for-bedroom?variant=40522285711524> (Year: 2022).*

Crystal Pendant Light [online], [site visited Nov. 30, 2022]. Available from internet, URL: <https://www.satulight.com/product/crystal-pendant-light/?attribute_pa_style=a> (Year: 2022).*

* cited by examiner

Primary Examiner — Cynthia Ramirez

Assistant Examiner — Xavier Marti-Santos

(74) *Attorney, Agent, or Firm* — Rumit Ranjit Kanakia

(57) **CLAIM**

The ornamental design for a lamp, as shown and described.

DESCRIPTION

FIG. 1 is a first perspective view of a lamp showing my new design;

FIG. 2 is a second perspective view thereof;

FIG. 3 is a front view thereof;

FIG. 4 is a back view thereof;

FIG. 5 is a left side view thereof;

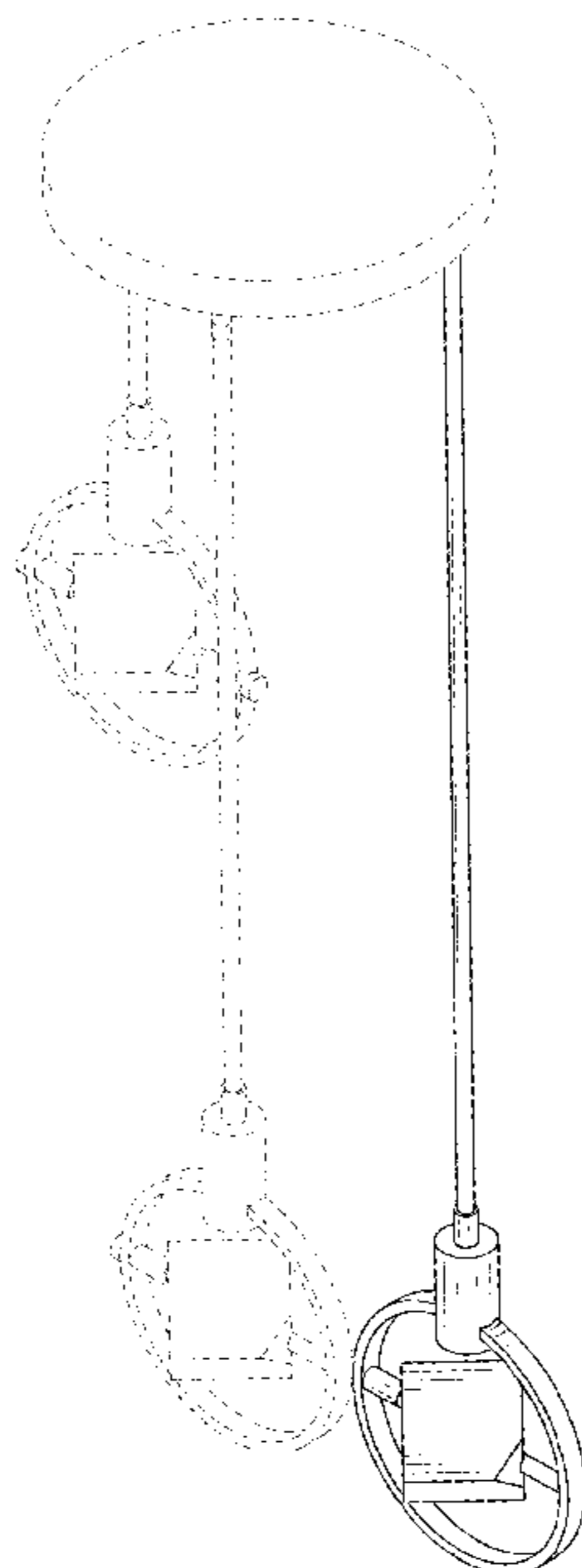
FIG. 6 is a right side view thereof;

FIG. 7 is a top view thereof; and,

FIG. 8 is a bottom view thereof.

The broken lines shown in the drawings depict portions of the lamp that form no part of the claimed design.

1 Claim, 8 Drawing Sheets



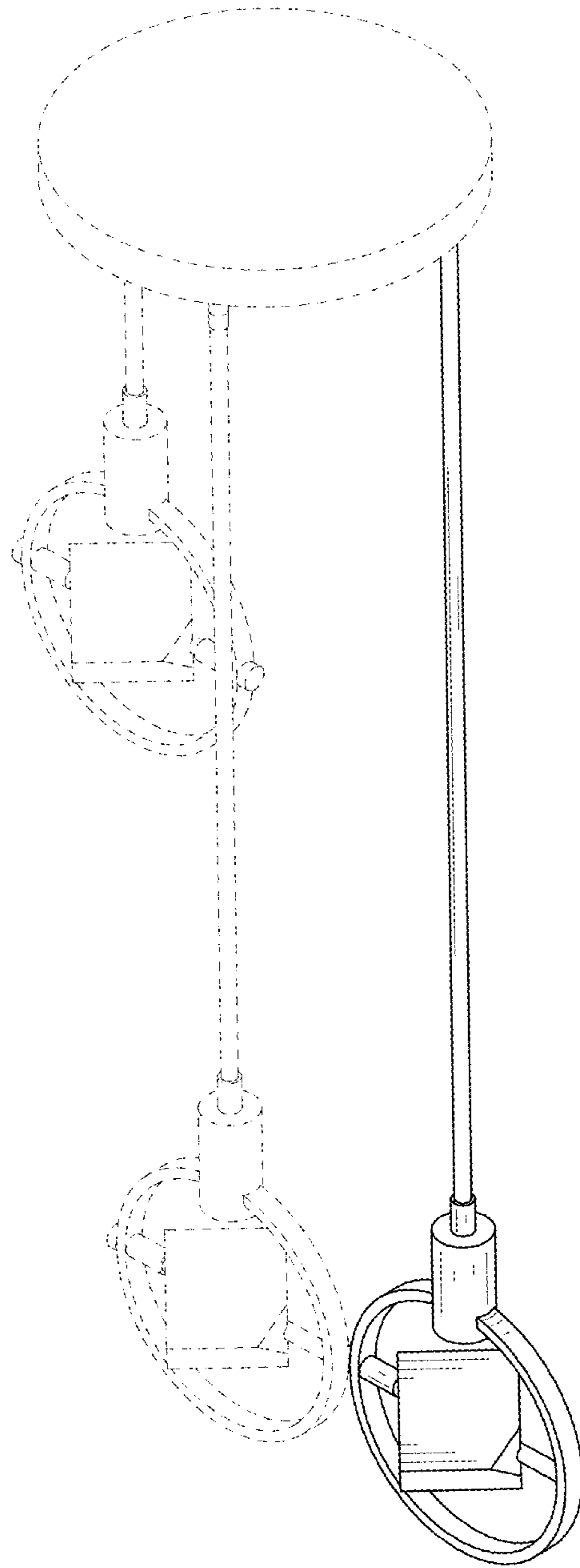


FIG. 1

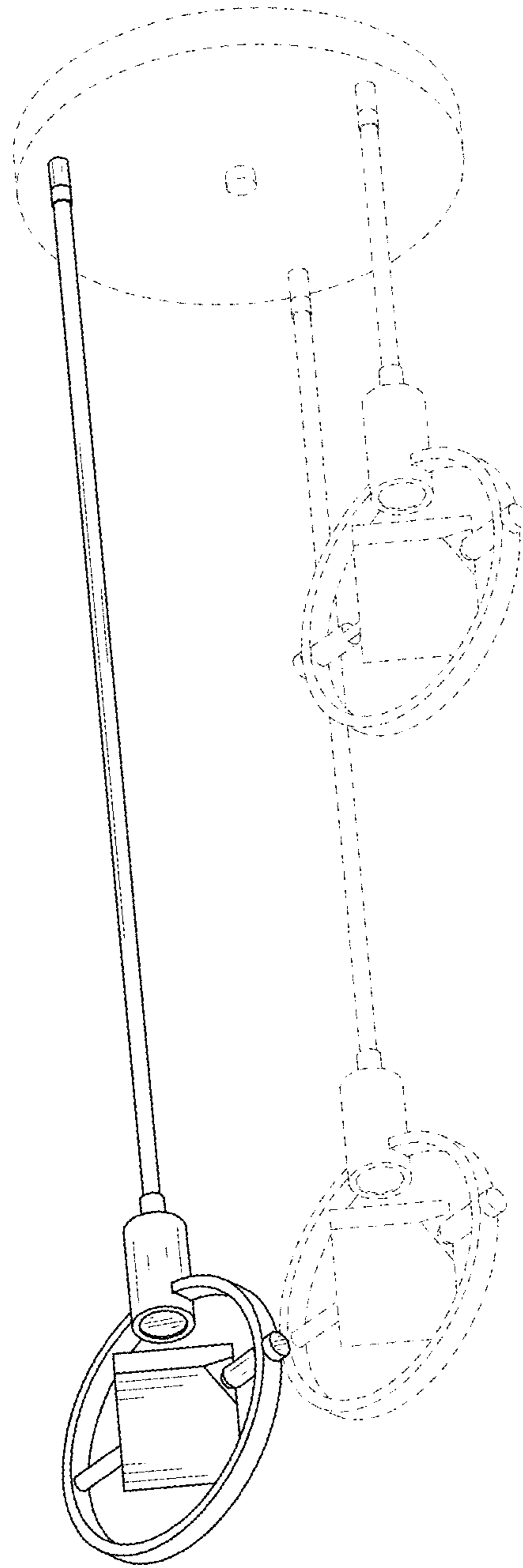


FIG. 2

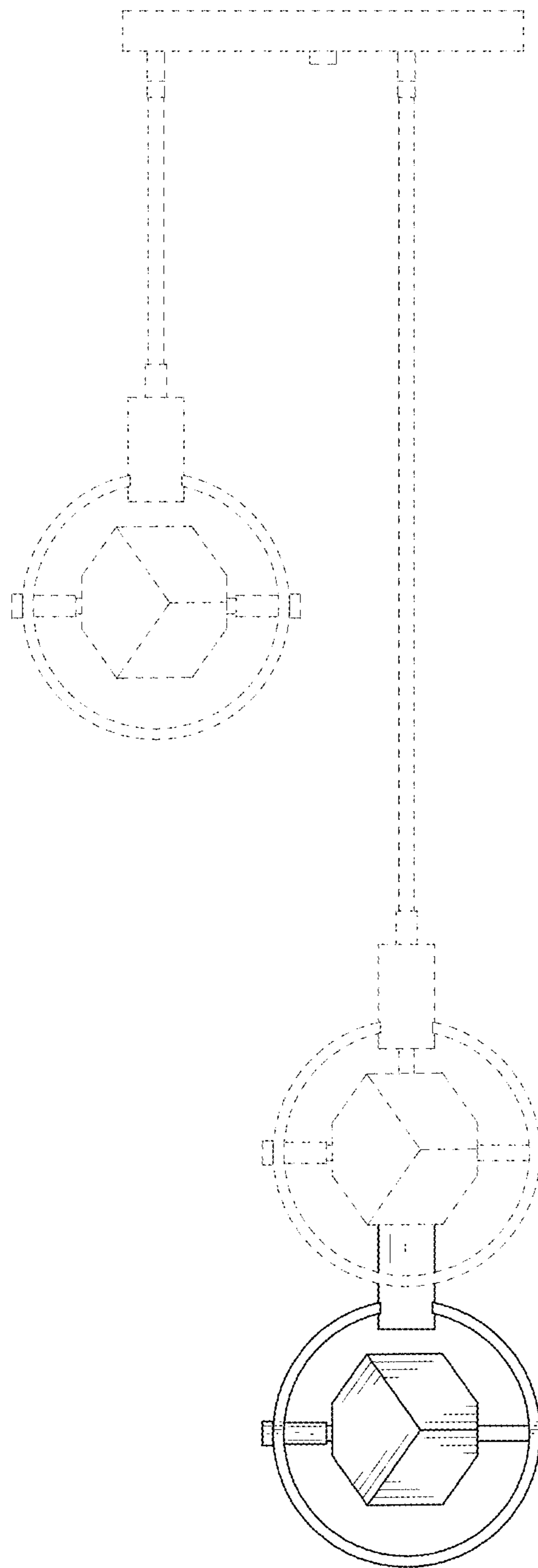


FIG. 3

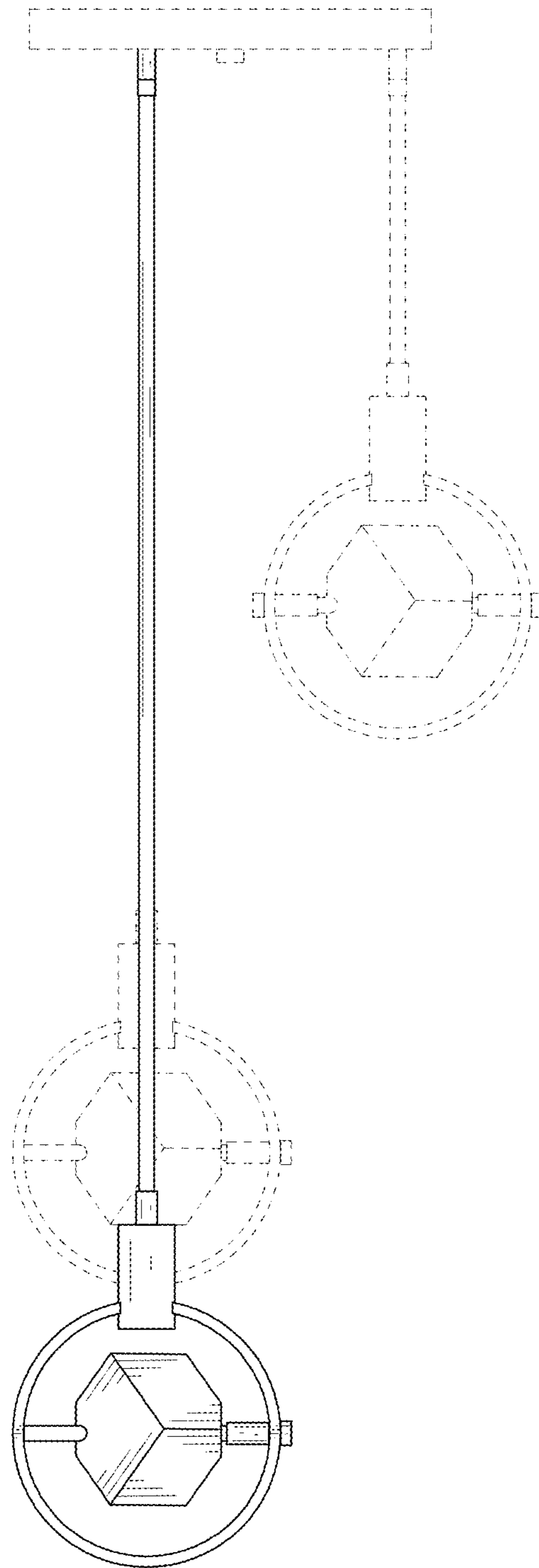


FIG. 4

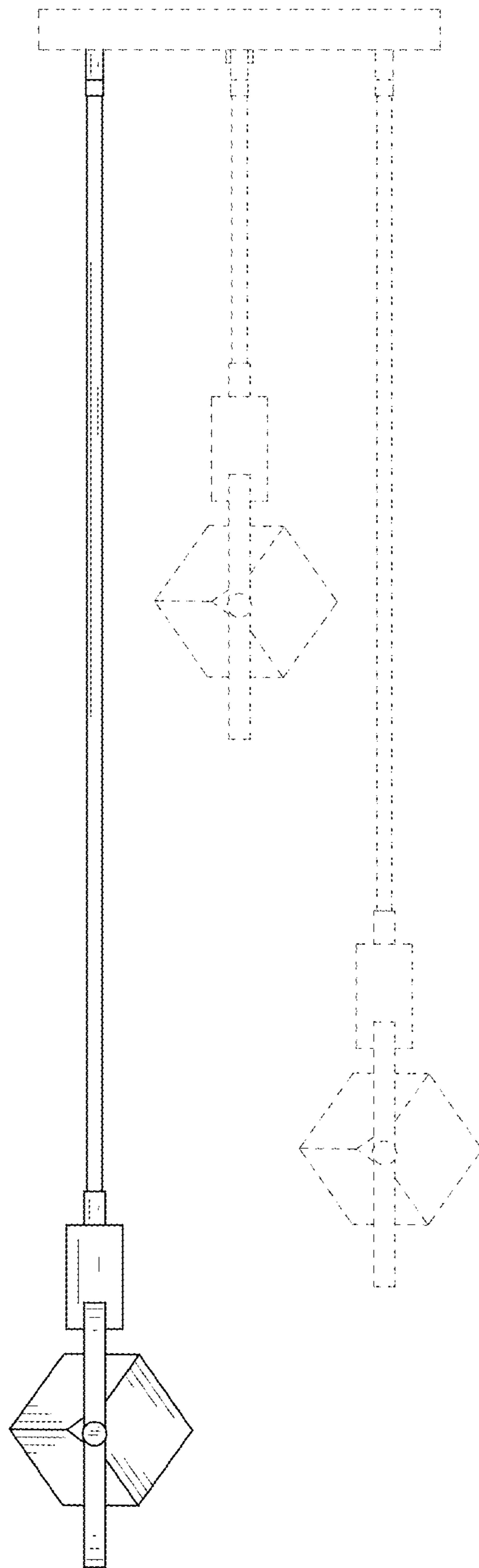


FIG. 5

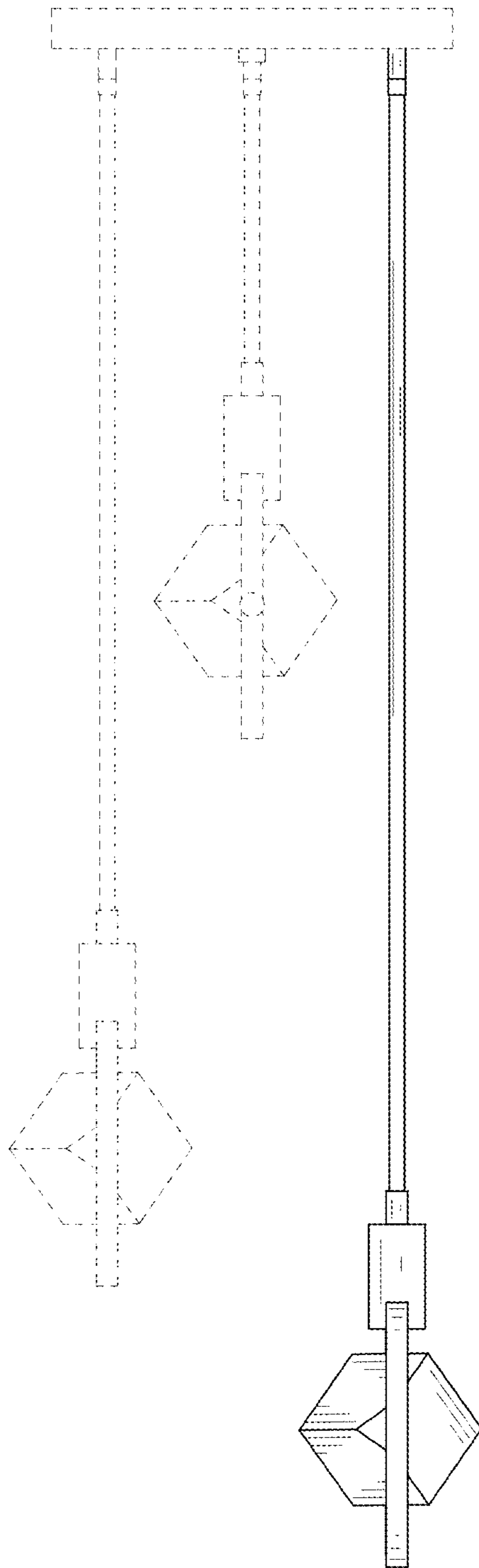


FIG. 6

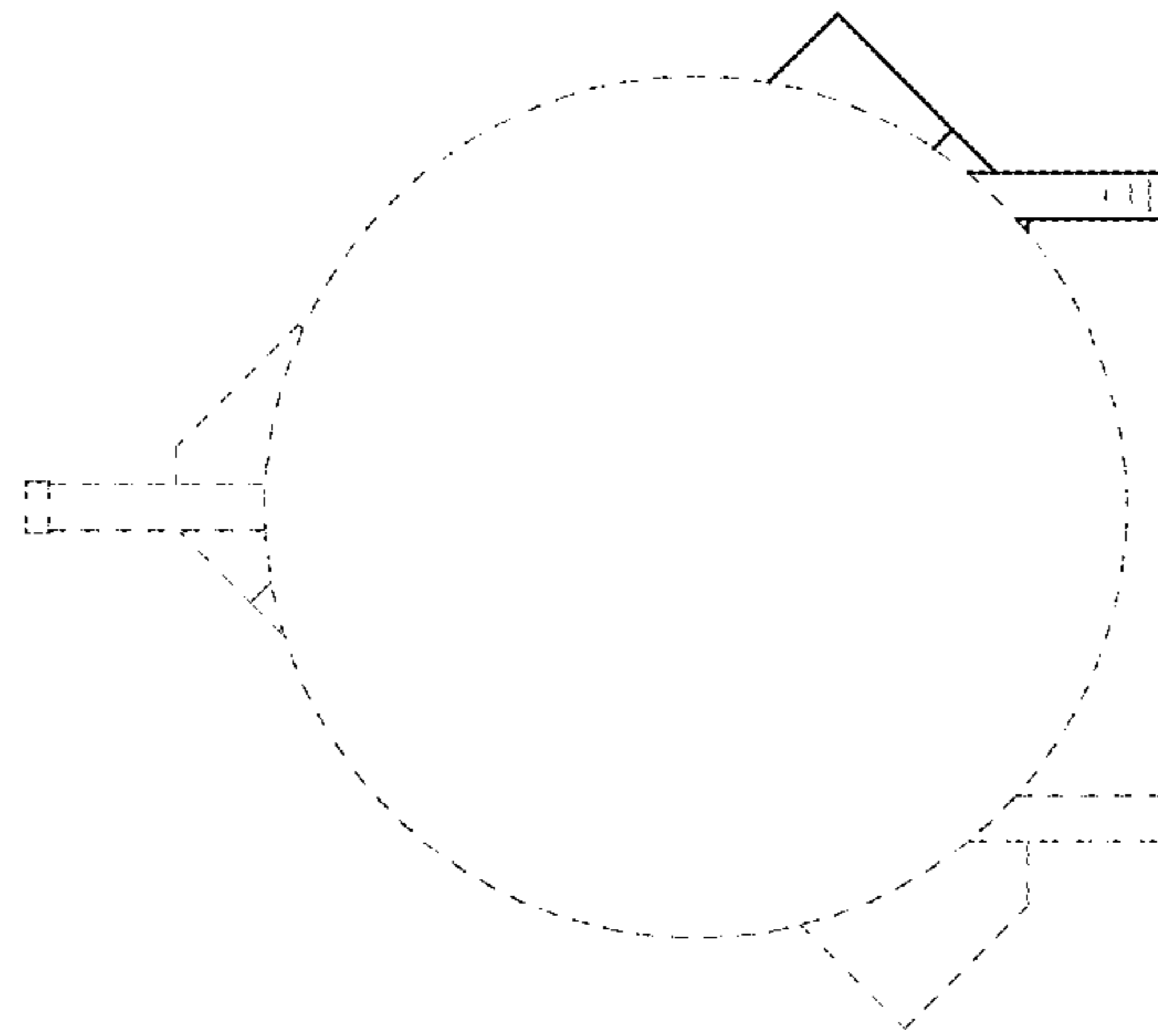


FIG. 7

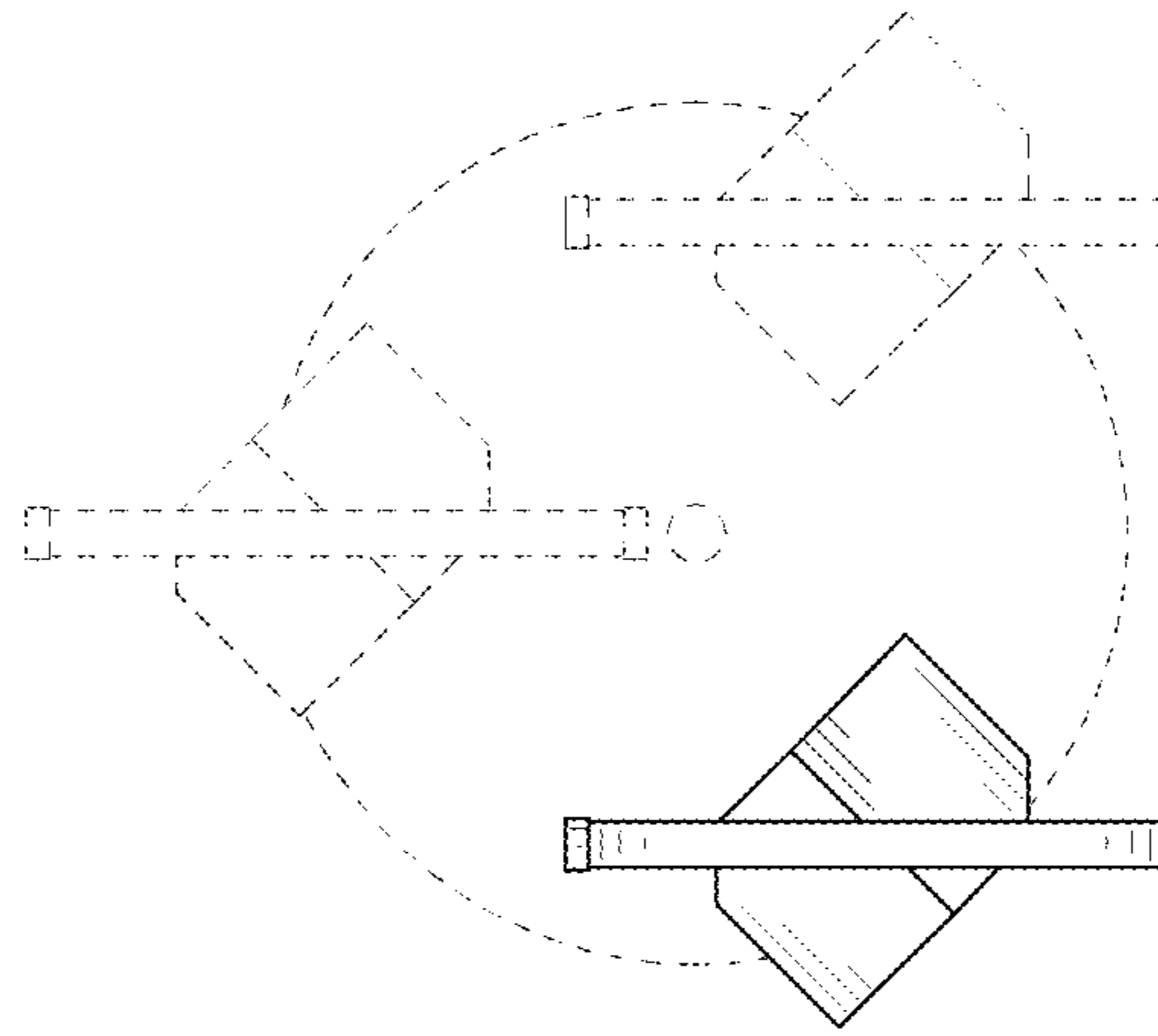


FIG. 8