



US00D980491S

(12) **United States Design Patent**
Chen

(10) **Patent No.:** **US D980,491 S**
(45) **Date of Patent:** **** Mar. 7, 2023**

(54) **BUTTERFLY LAMP**

(71) Applicant: **Quanzhou Guanyu Electronics Co., Ltd.**, Quanzhou (CN)

(72) Inventor: **Zilong Chen**, Quanzhou (CN)

(**) Term: **15 Years**

(21) Appl. No.: **29/844,625**

(22) Filed: **Jun. 30, 2022**

(51) **LOC (14) Cl.** **25-03**

(52) **U.S. Cl.**
USPC **D26/67**

(58) **Field of Classification Search**
USPC D26/1, 2, 5, 7, 37-44, 46-52, 67-70, 72, D26/85
CPC F21S 9/037; F21W 2111/02
See application file for complete search history.

(56) **References Cited**

U.S. PATENT DOCUMENTS

| | | | |
|-------------------|---------|---------|-----------------------|
| D623,791 S | 9/2010 | Kim | |
| D624,687 S | 9/2010 | Kim | |
| D626,678 S | 11/2010 | Park | |
| D631,593 S | 1/2011 | Kim | |
| D843,041 S | 3/2019 | Xiao | |
| D854,731 S | 7/2019 | Hecht | |
| D863,638 S | 10/2019 | Zhou | |
| D875,289 S | 2/2020 | Hu | |
| D881,434 S * | 4/2020 | He | D26/101 |
| D887,061 S * | 6/2020 | Li | D26/67 |
| D908,943 S * | 1/2021 | Huang | D26/68 |
| D940,371 S * | 1/2022 | Li | D26/68 |
| D943,138 S | 2/2022 | Wang | |
| D953,604 S | 5/2022 | Iwasaki | |
| 2008/0247155 A1 * | 10/2008 | Allsop | F21S 8/081 362/183 |
| 2020/0173618 A1 * | 6/2020 | Maguire | H01L 31/02 |

OTHER PUBLICATIONS

Amazon, Solar Butterfly, Outdoor Solar Garden Lights, 3 Pack Solar Butterfly Decorative Lights, IP67 Waterproof Color Changing LED Solar Outdoor Lights, Solar Powered Stake Lights for Garden Patio Yard Lawn Pathway Decoration, Apr. 21, 2022, <https://a.co/d/9Z4BPLA> (Year: 2022).*

* cited by examiner

Primary Examiner — Keli L Hill

Assistant Examiner — Harold E Blackwell, II

(74) *Attorney, Agent, or Firm* — Runit Ranjit Kanakia

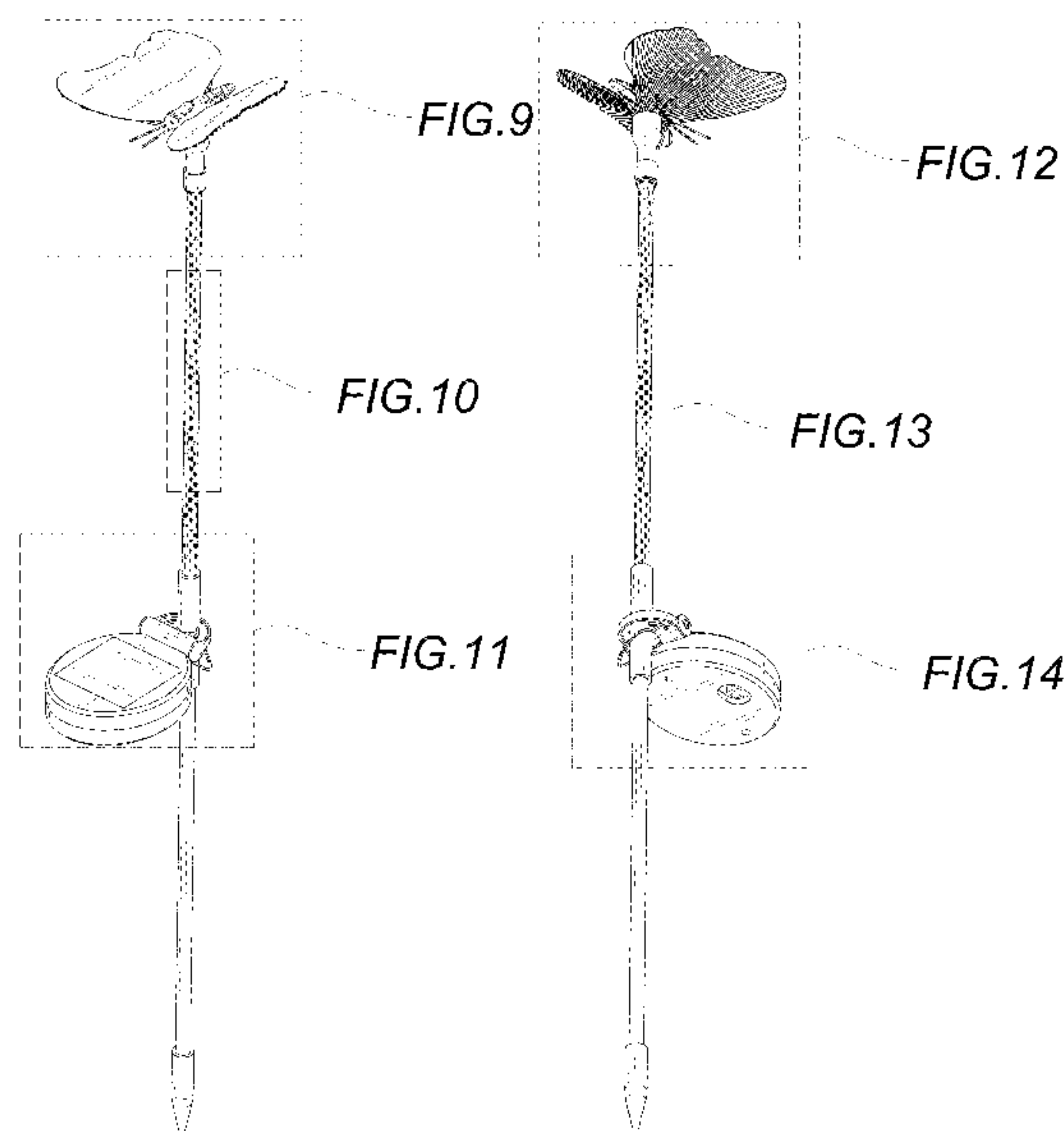
(57) **CLAIM**

The ornamental design for a butterfly lamp, as shown and described.

DESCRIPTION

FIG. 1 is a perspective view of a butterfly lamp showing my new design;
FIG. 2 is another perspective view thereof;
FIG. 3 is a front elevational view thereof;
FIG. 4 is a rear elevational view thereof;
FIG. 5 is a left side view thereof;
FIG. 6 is a right side view thereof;
FIG. 7 is a top plan view thereof;
FIG. 8 is a bottom plan view thereof;
FIG. 9 is a partial enlarged view of FIG. 1;
FIG. 10 is a partial enlarged view of FIG. 1;
FIG. 11 is a partial enlarged view of FIG. 1;
FIG. 12 is a partial enlarged view of FIG. 2;
FIG. 13 is a partial enlarged view of FIG. 2;
FIG. 14 is a partial enlarged view of FIG. 2;
FIG. 15 is a partial enlarged view of FIG. 3;
FIG. 16 is a partial enlarged view of FIG. 7; and,
FIG. 17 is a partial enlarged view of FIG. 8.
The dash-dash broken lines in FIGS. 1-3 and 7-17 are included for the purposes of depicting the partial enlarged views and form no part of the claimed design.

1 Claim, 16 Drawing Sheets



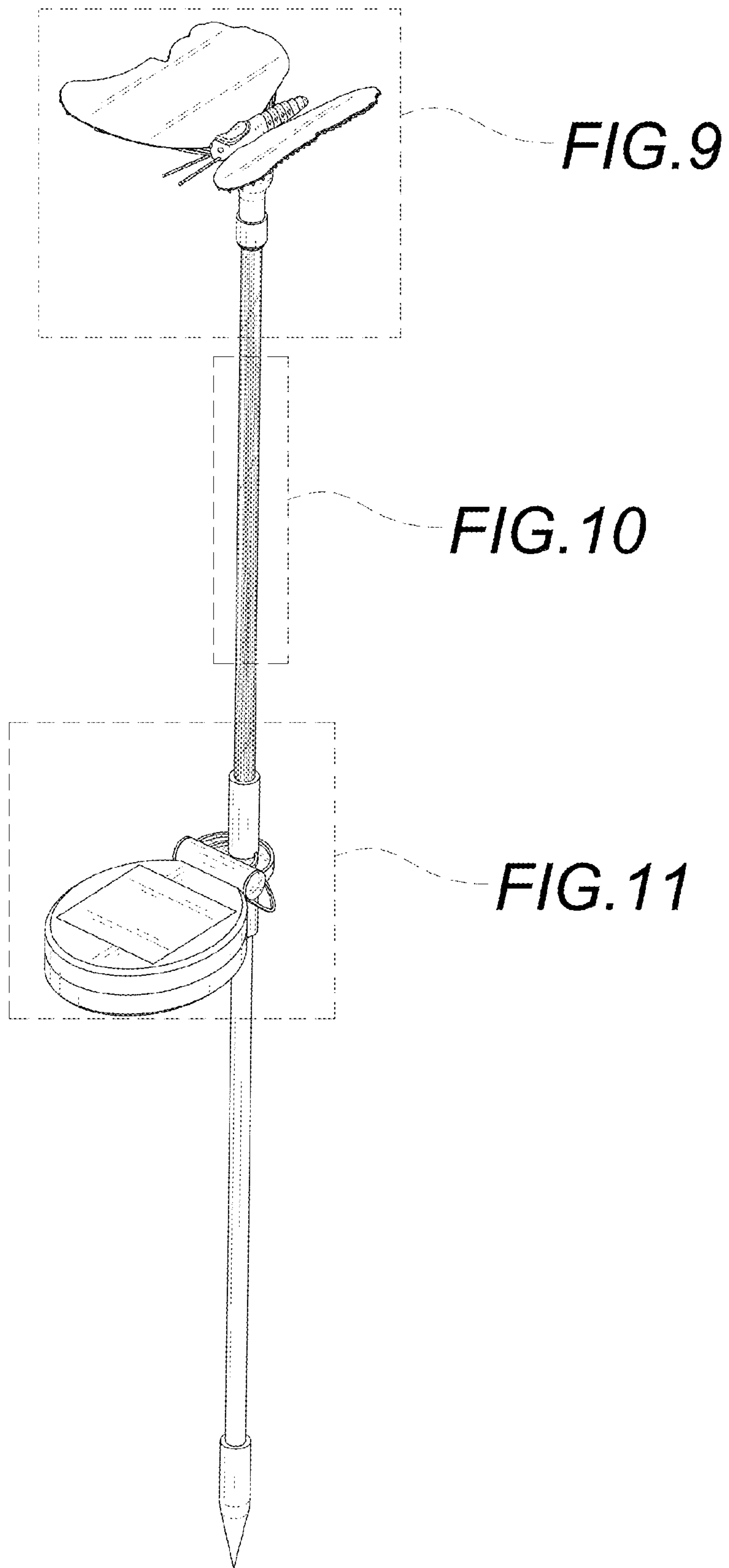


FIG. 1

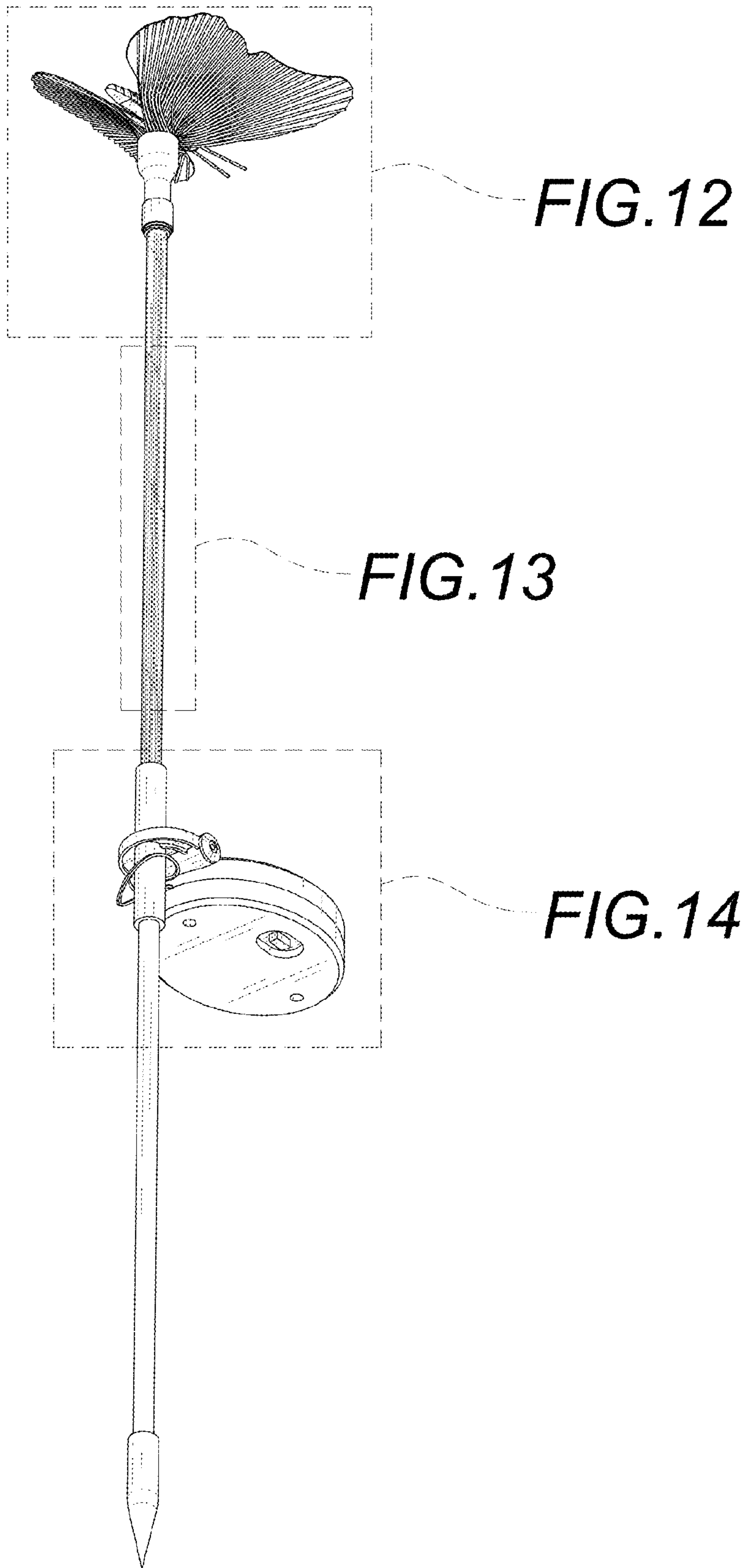


FIG. 2

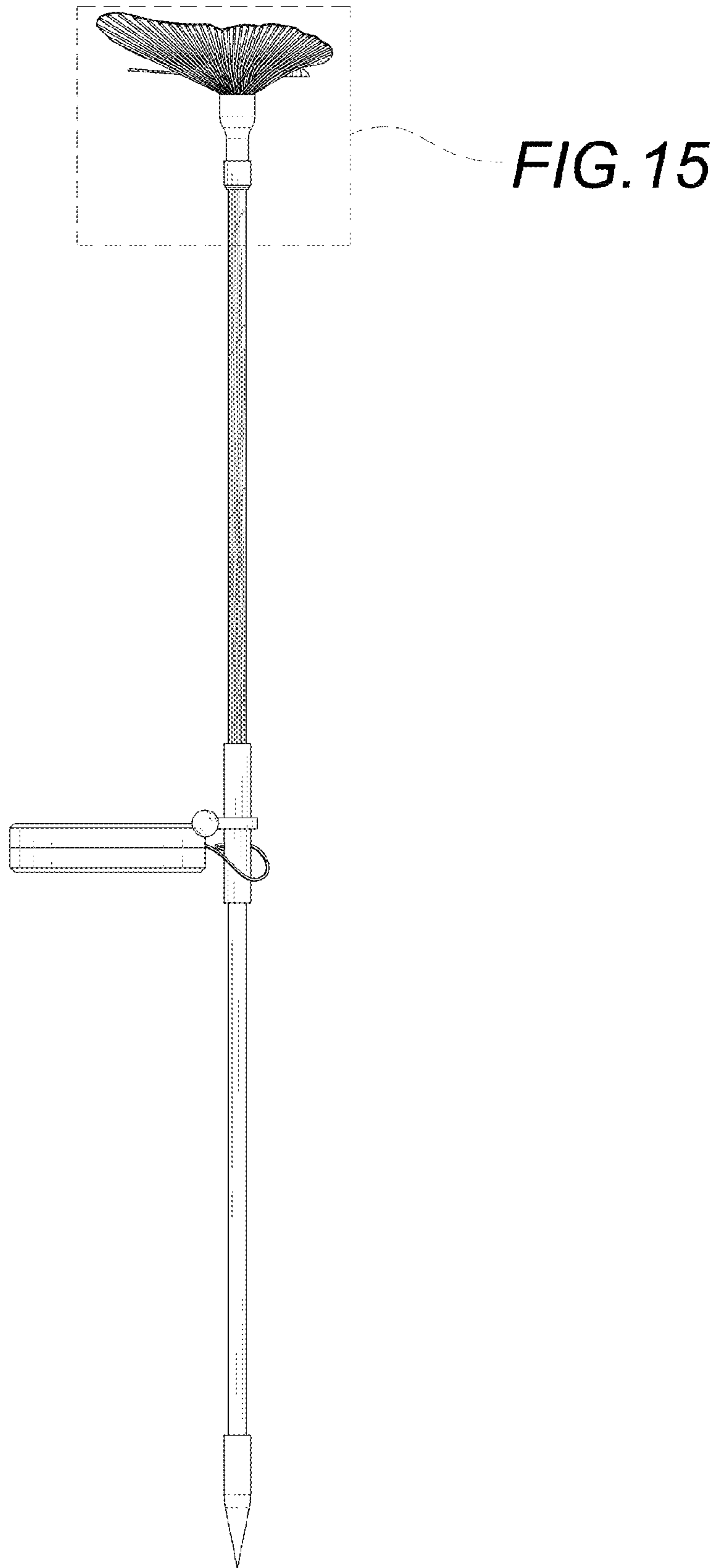


FIG. 3

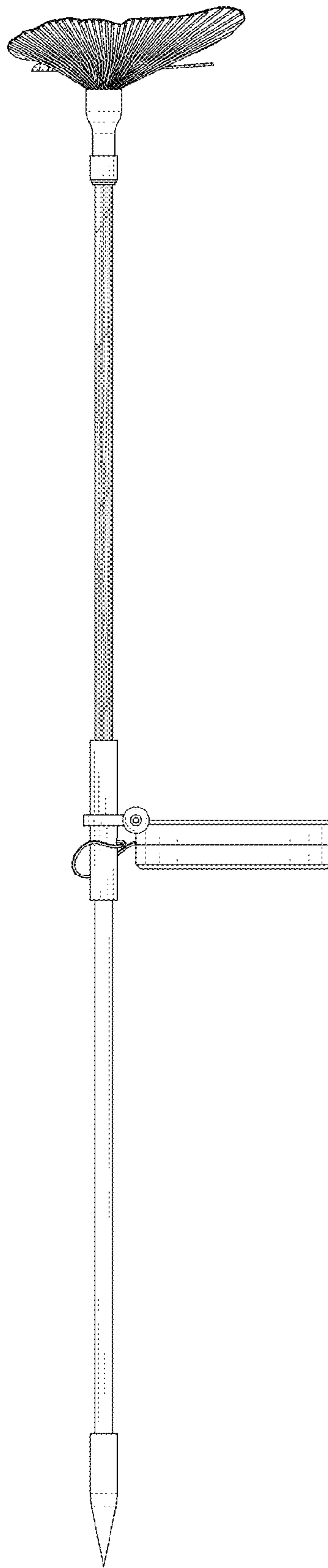


FIG. 4

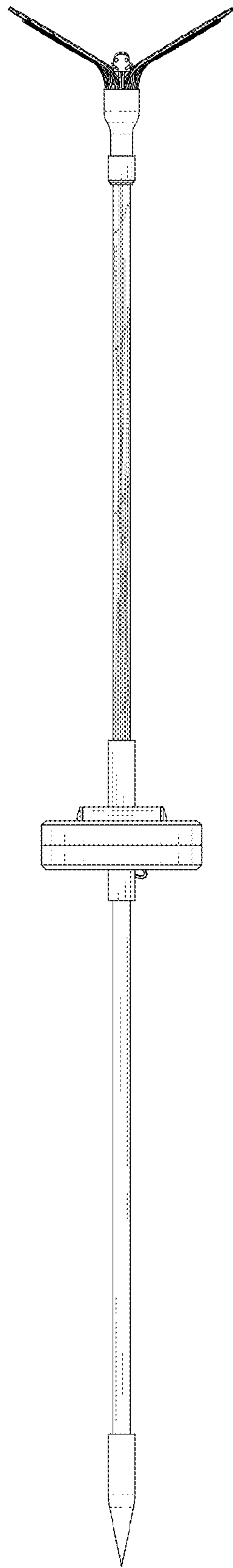


FIG. 5

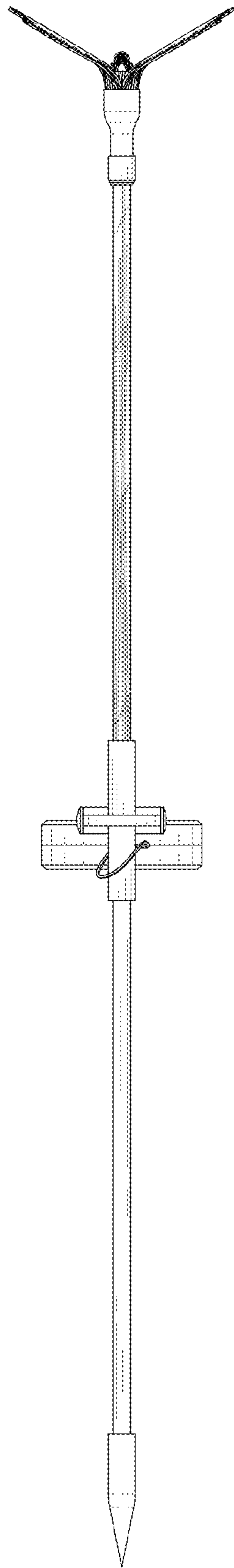


FIG. 6

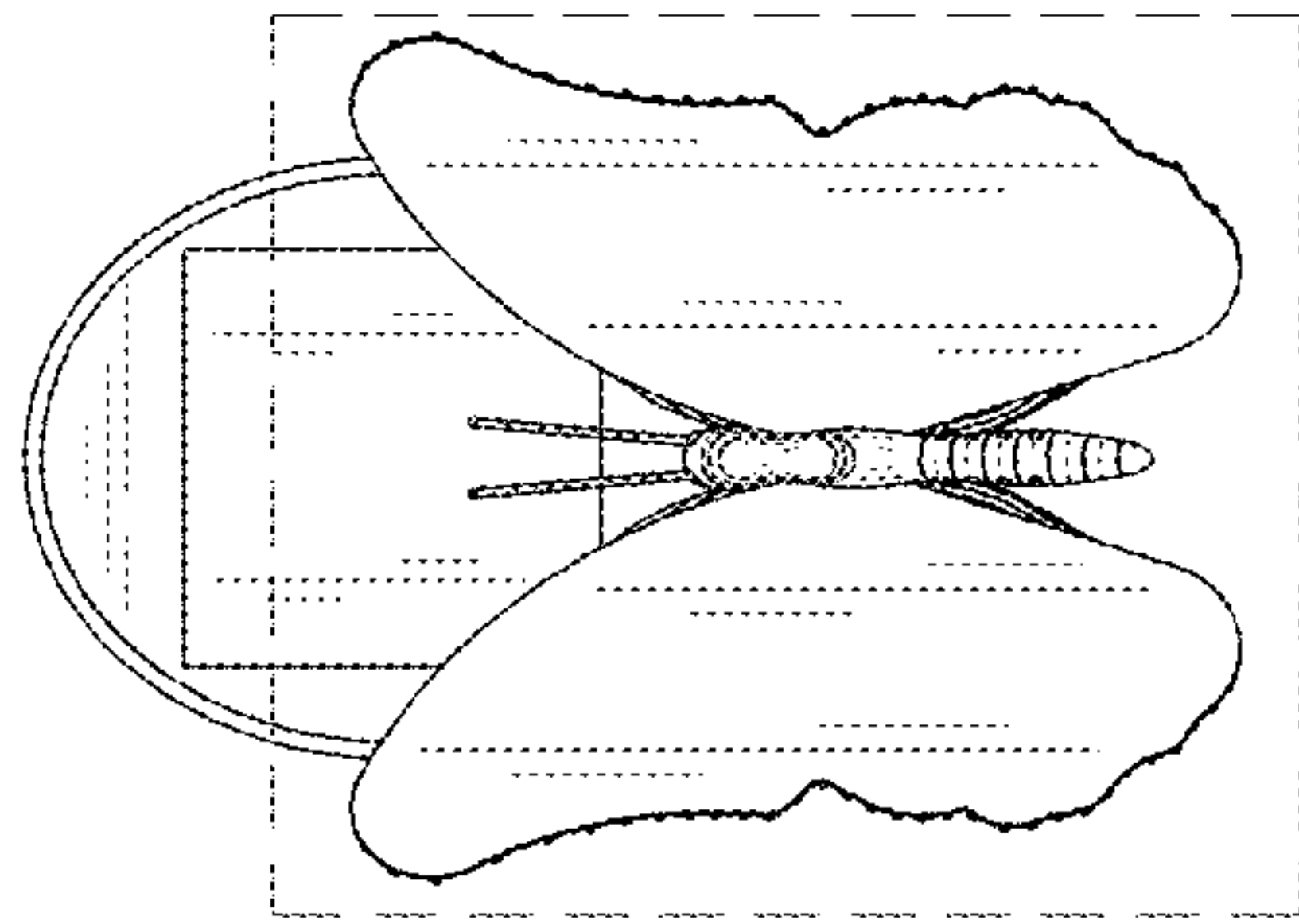


FIG. 16

FIG. 7

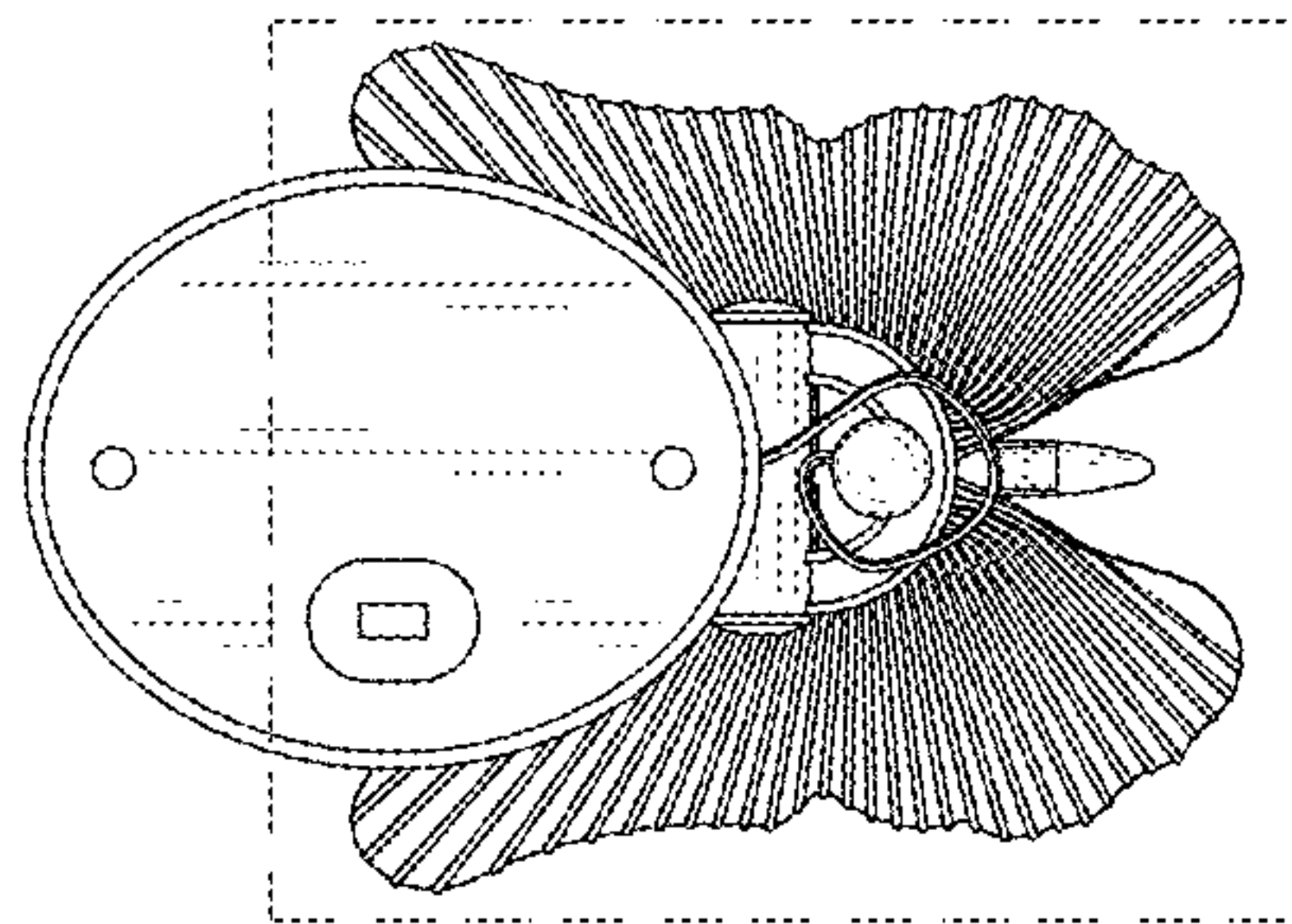


FIG. 17

FIG. 8

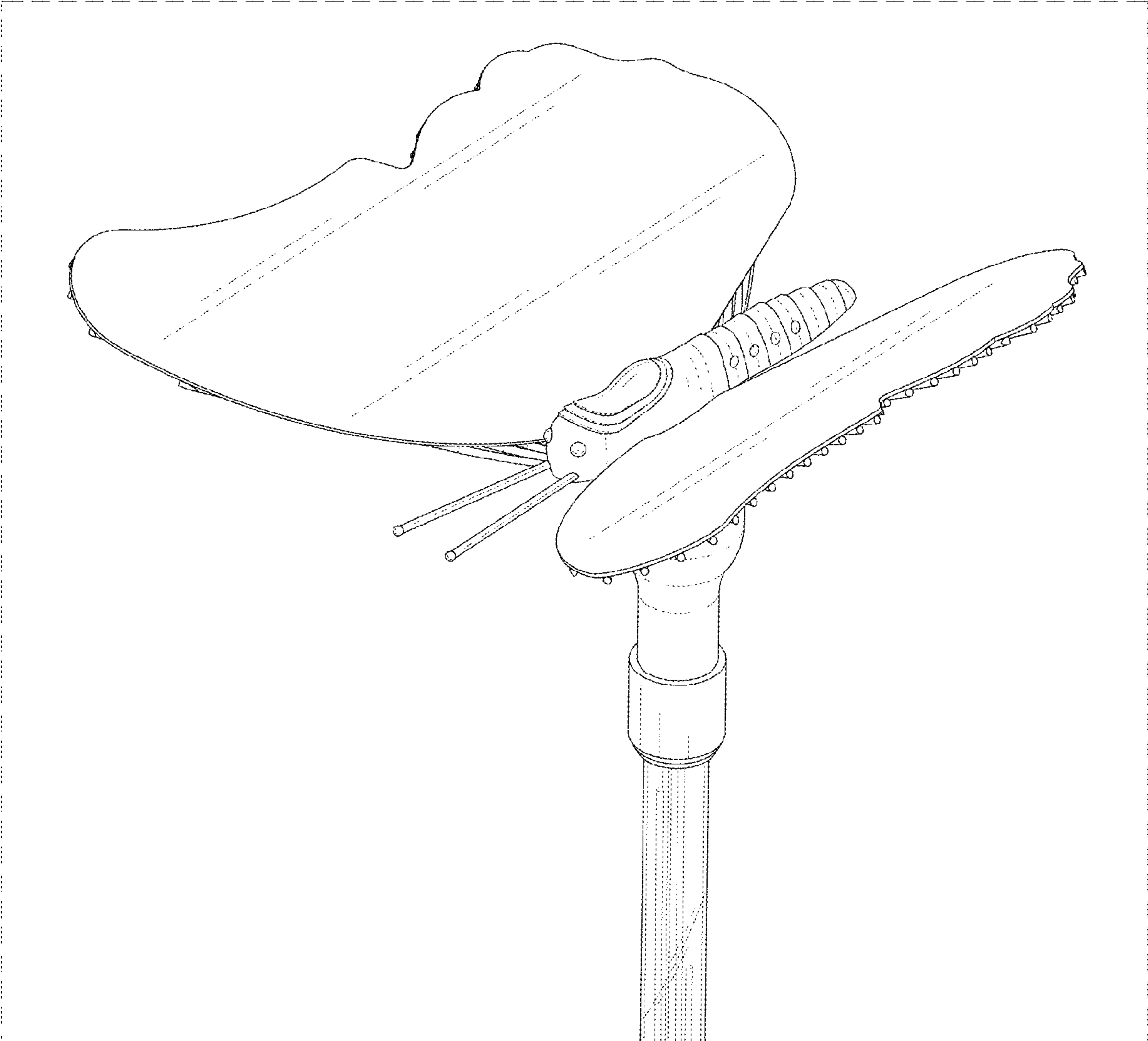


FIG. 9

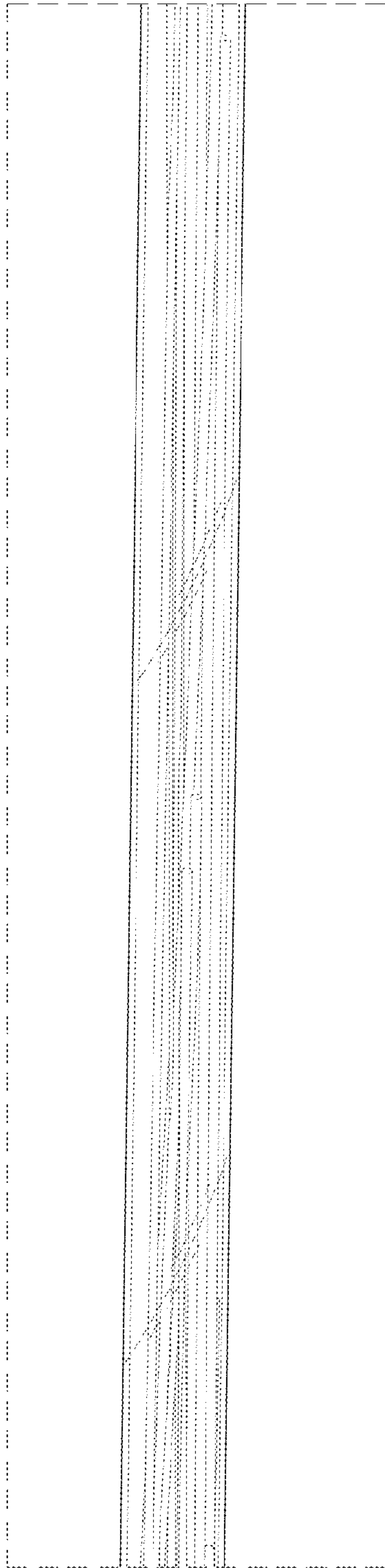


FIG. 10

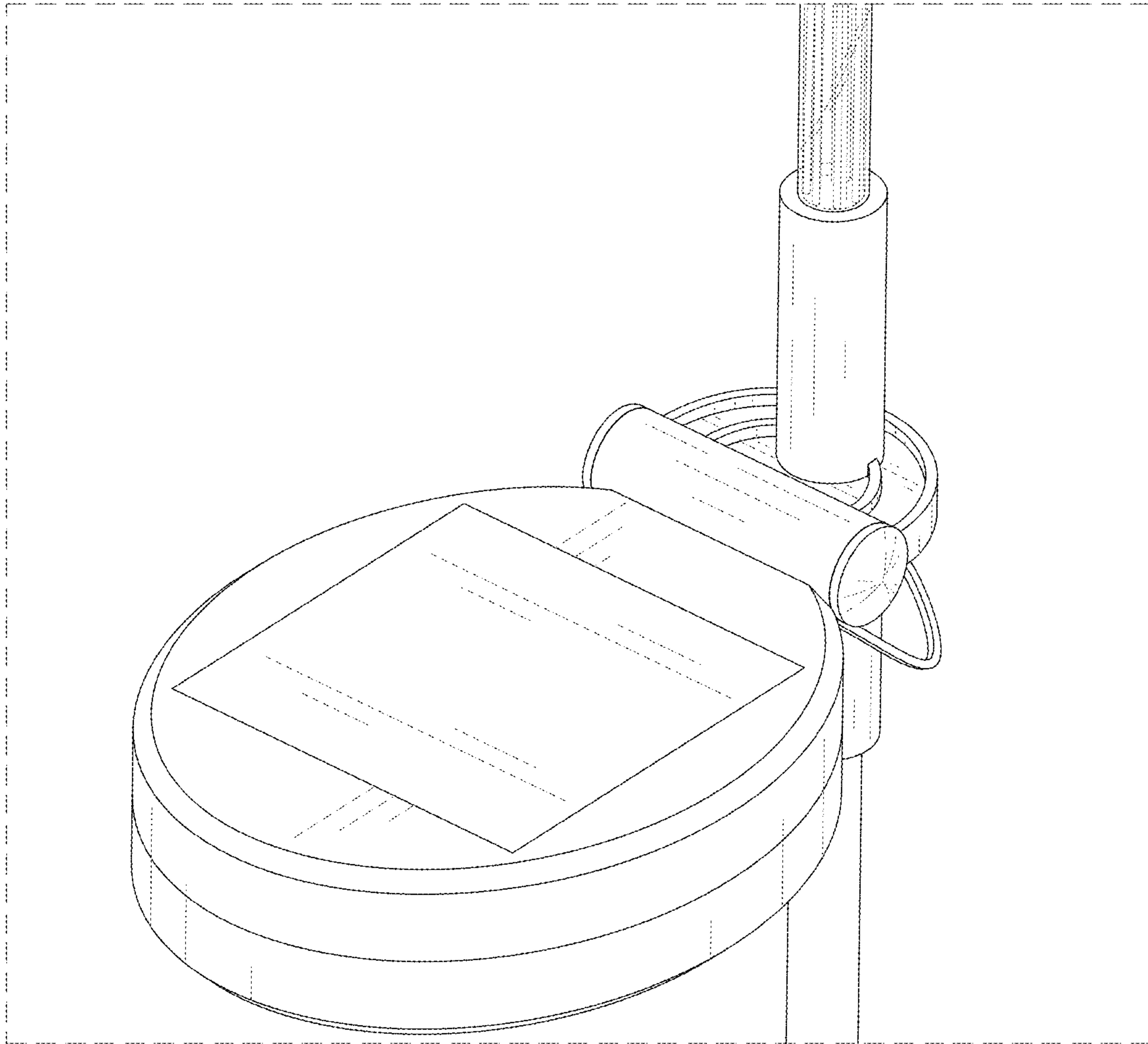


FIG. 11

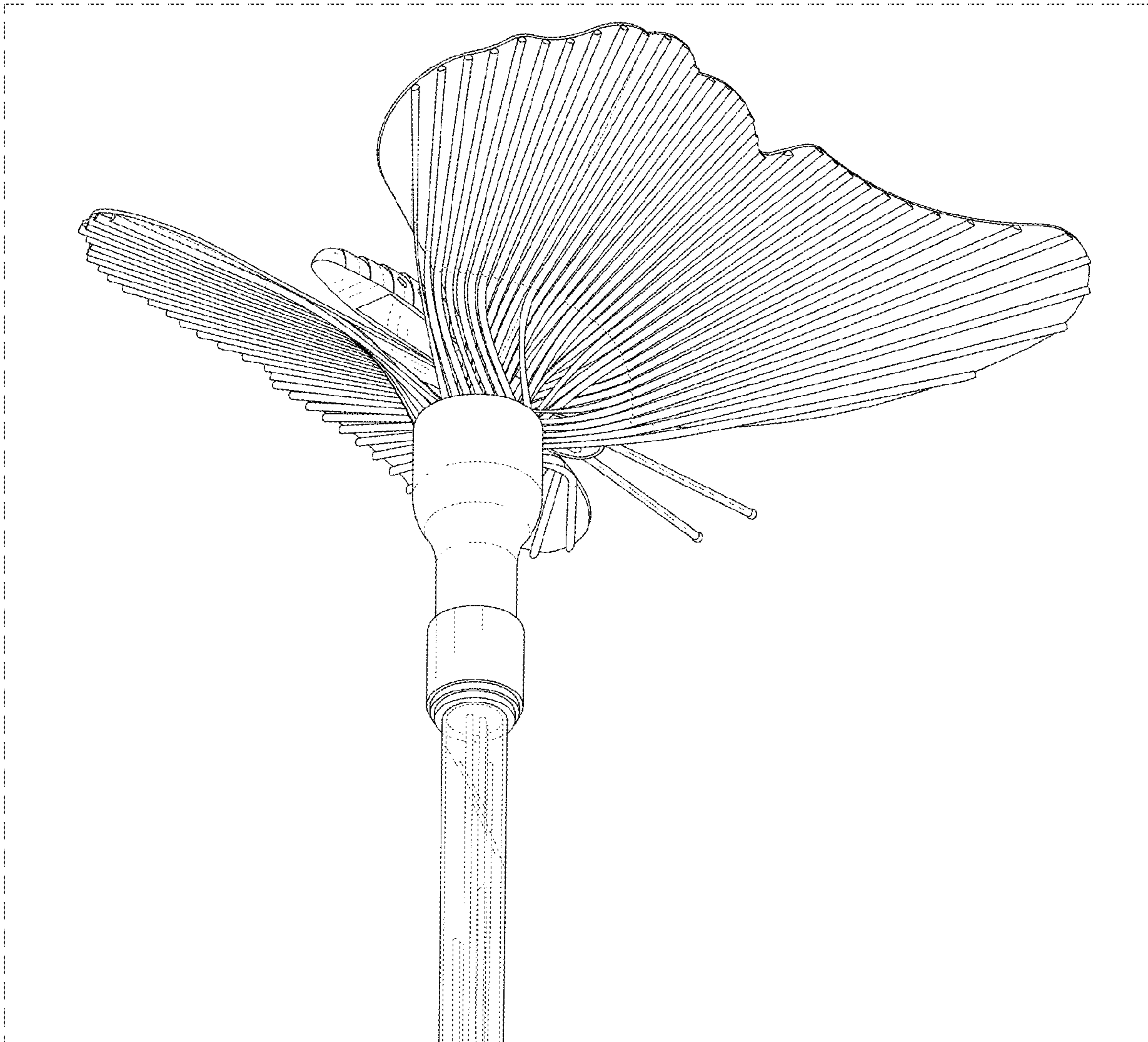


FIG. 12

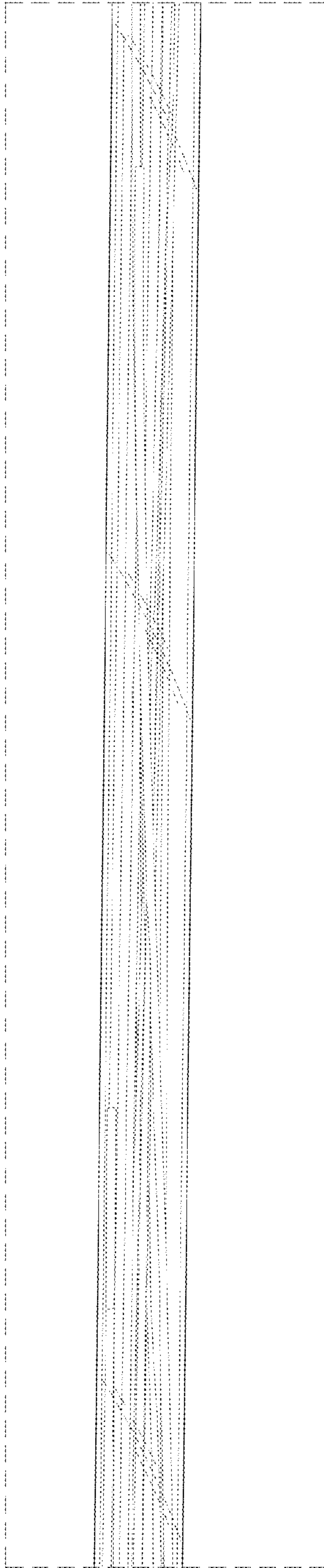


FIG. 13

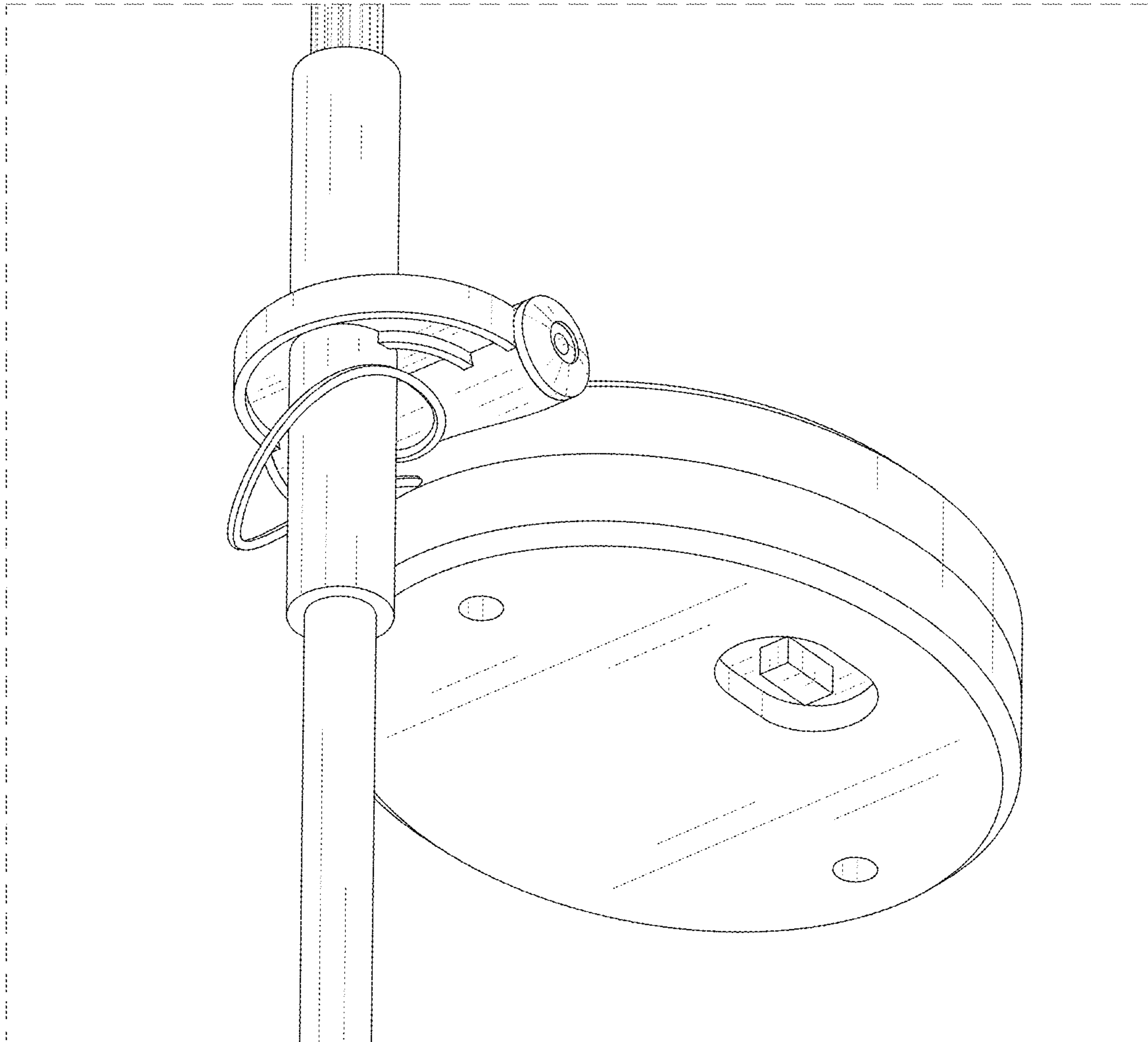


FIG. 14

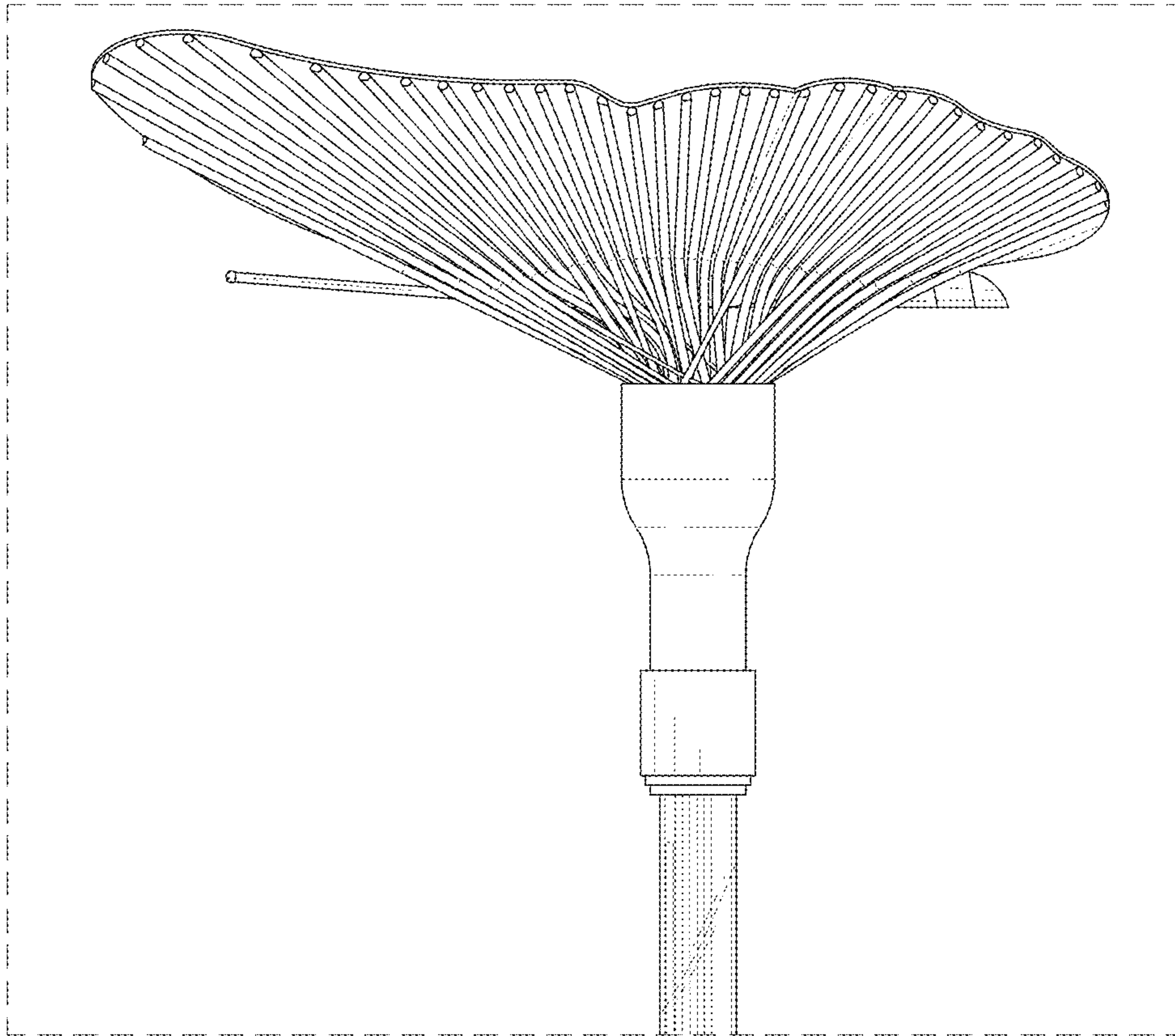


FIG. 15

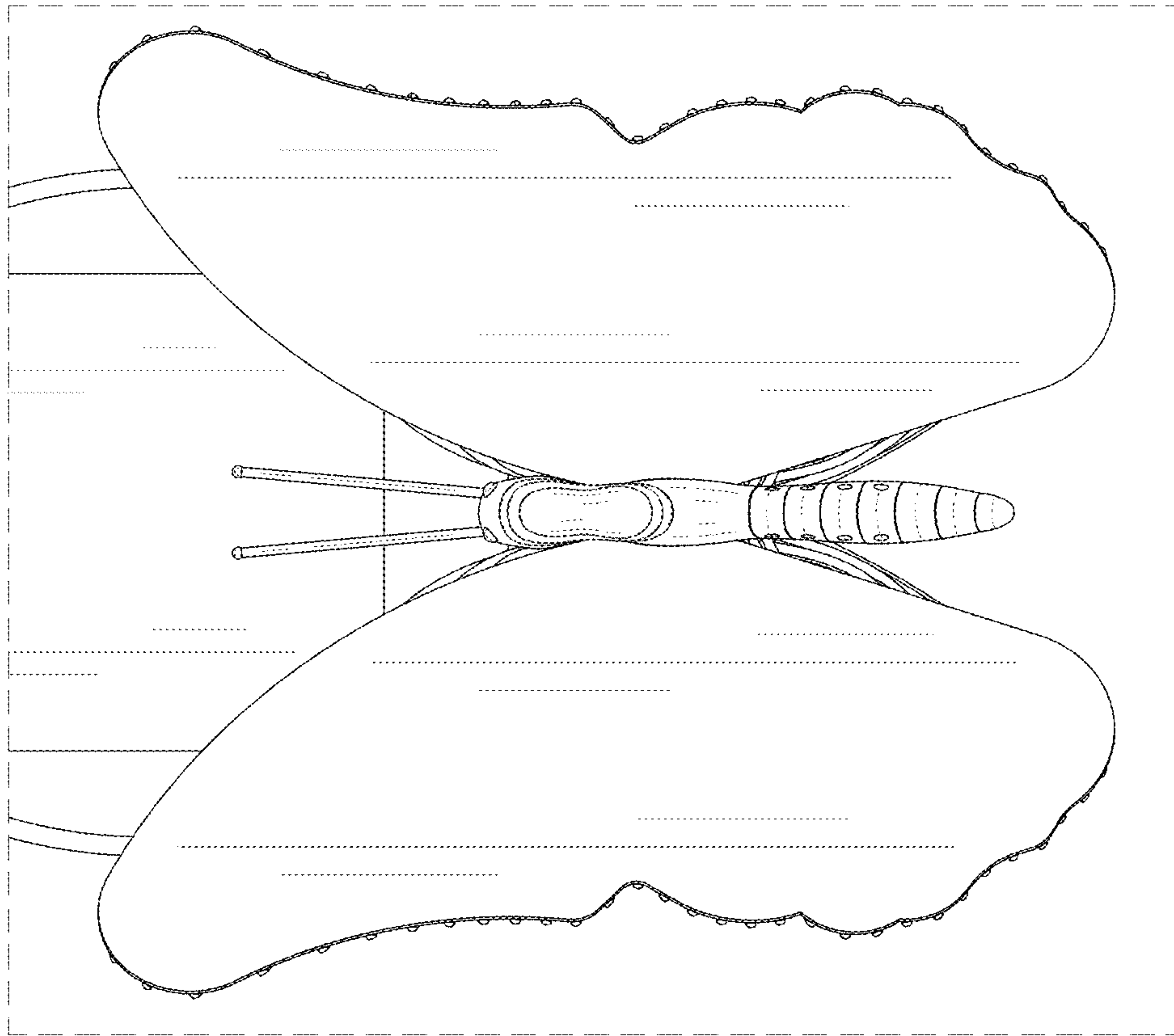


FIG. 16

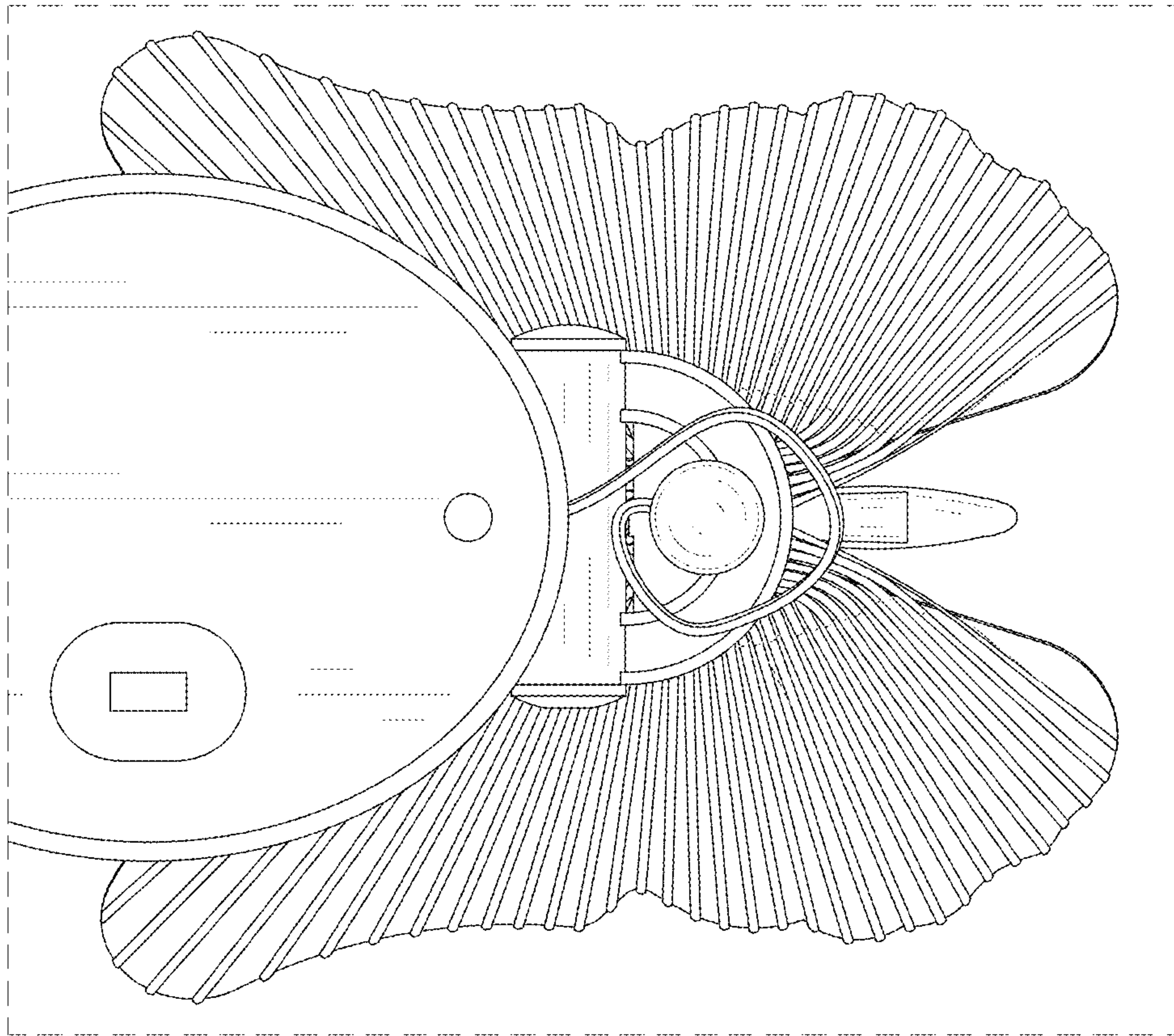


FIG. 17