



US00D980490S

(12) **United States Design Patent** (10) **Patent No.:** **US D980,490 S**
Wang (45) **Date of Patent:** **** Mar. 7, 2023**

(54) **LED GROW LIGHT**

(71) Applicant: **Hai Wang**, Anqing (CN)

(72) Inventor: **Hai Wang**, Anqing (CN)

(**) Term: **15 Years**

(21) Appl. No.: **29/824,233**

(22) Filed: **Jan. 23, 2022**

(51) **LOC (14) Cl.** **26-05**

(52) **U.S. Cl.**

USPC **D26/67**; D26/71

(58) **Field of Classification Search**

USPC D26/67-71, 85, 107, 142

CPC F21S 8/03; F21S 8/033; F21S 8/036; F21S

8/081; F21S 9/037; F21V 21/0824; F21W

2111/02; F21W 2111/023; F21W

2131/109

See application file for complete search history.

(56) **References Cited**

U.S. PATENT DOCUMENTS

D231,253 S *	4/1974	Klassen	D26/26
D381,444 S *	7/1997	Yuen	D26/127
D507,360 S *	7/2005	Yuen	D26/73
D637,752 S	5/2011	Mekhtarian		
D652,160 S	1/2012	Brown		
D743,608 S *	11/2015	Verelst	D26/68
D762,904 S *	8/2016	Schmitt	D26/68
10,667,468 B1 *	6/2020	Tang	A01G 9/249
D910,222 S	2/2021	Zhang		
D938,084 S *	12/2021	Hollinger	D26/73
11,473,760 B1 *	10/2022	Mishan	F21V 7/0025
2010/0008081 A1 *	1/2010	Canino	F21V 21/0824
				362/351
2017/0159927 A1 *	6/2017	Hui	F21V 31/00
2019/0323669 A1 *	10/2019	Tang	F21V 31/005
2022/0018506 A1 *	1/2022	Xiong	G02B 6/0001

OTHER PUBLICATIONS

CFGROW Grow Light with Samsung LEDs Full Spectrum Plant Light for Indoor Plants, ASIN: B09V46TWVX. Available from amazon.com Apr. 5, 2022. (Year: 2022).*

UOIUXC Height Adjustable Full Spectrum Growing Lamp with Pedestal, ASIN: B09Y6B5GS9. Available from amazon.com as early as Jun. 24, 2022. (Year: 2022).*

BUAD Grow Lights for Indoor Plants, ASIN: B0B68WP2FT. Available from amazon.com Jul. 11, 2022. (Year: 2022).*

* cited by examiner

Primary Examiner — Clare E Heflin

(74) *Attorney, Agent, or Firm* — Rumit R. Kanakia

(57) **CLAIM**

The ornamental design for the LED grow light, as shown and described.

DESCRIPTION

FIG. 1 is a first perspective view of the LED grow light showing my new design;

FIG. 2 is a second perspective view thereof;

FIG. 3 is a front view thereof;

FIG. 4 is a back view thereof;

FIG. 5 is a left side view thereof;

FIG. 6 is a right side view thereof;

FIG. 7 is a top view thereof;

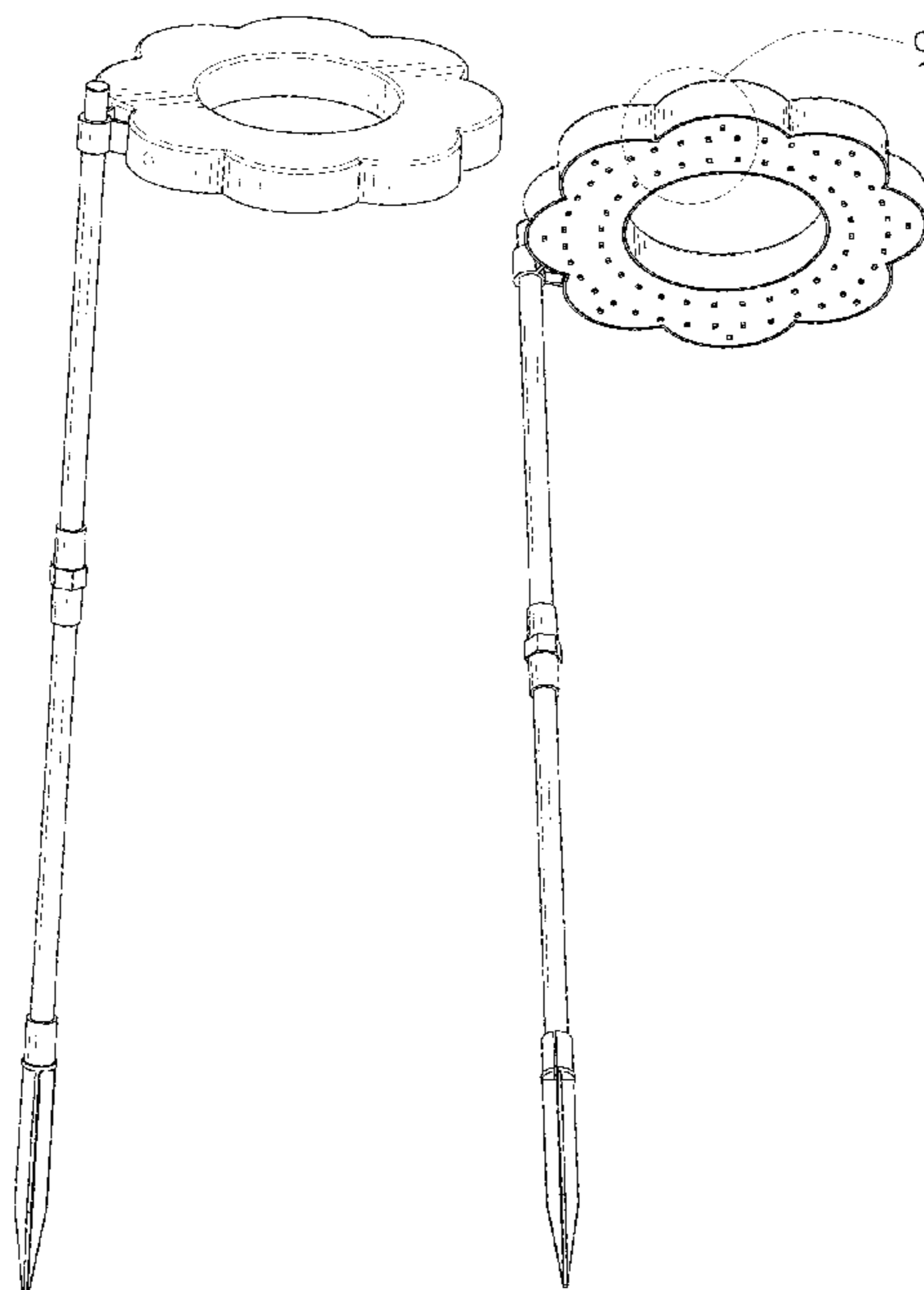
FIG. 8 is a bottom view thereof; and,

FIG. 9 is an enlarged view of the selected portion 9 in FIG.

2.

The broken lines shown in the drawings depict portions of the LED grow light that form no part of the claimed design.

1 Claim, 9 Drawing Sheets



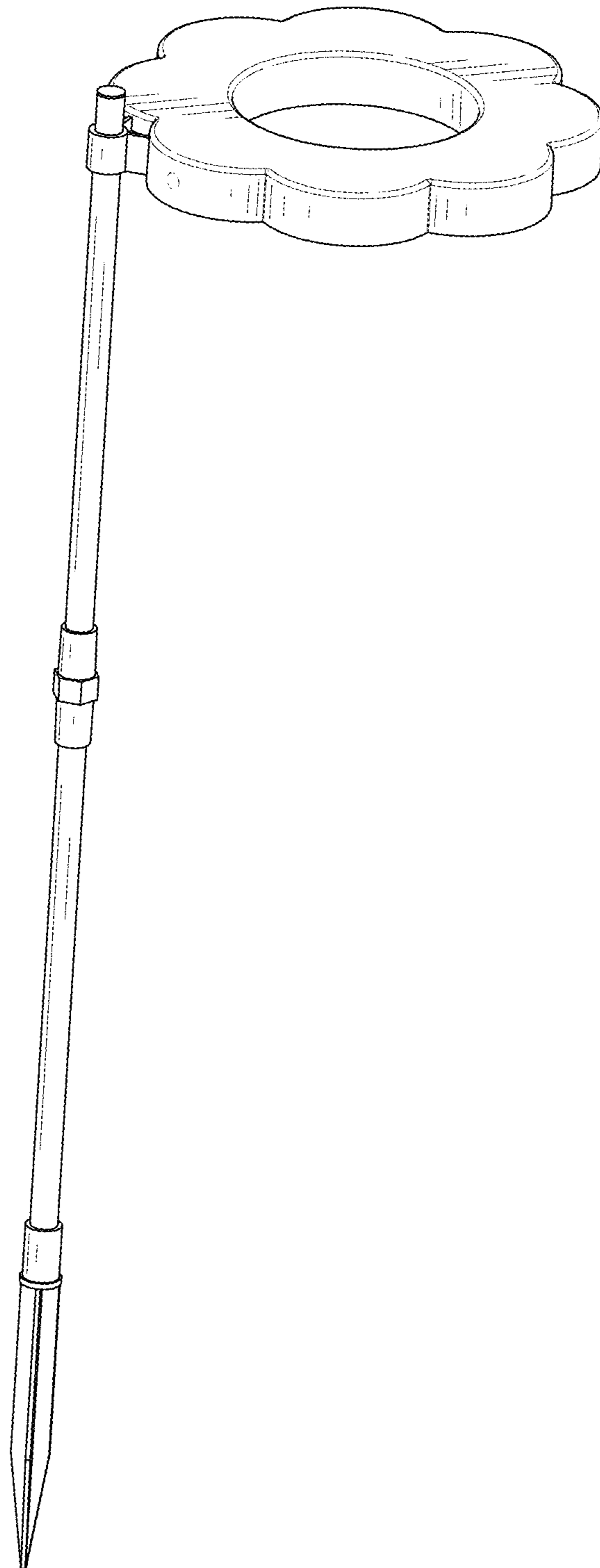


FIG. 1

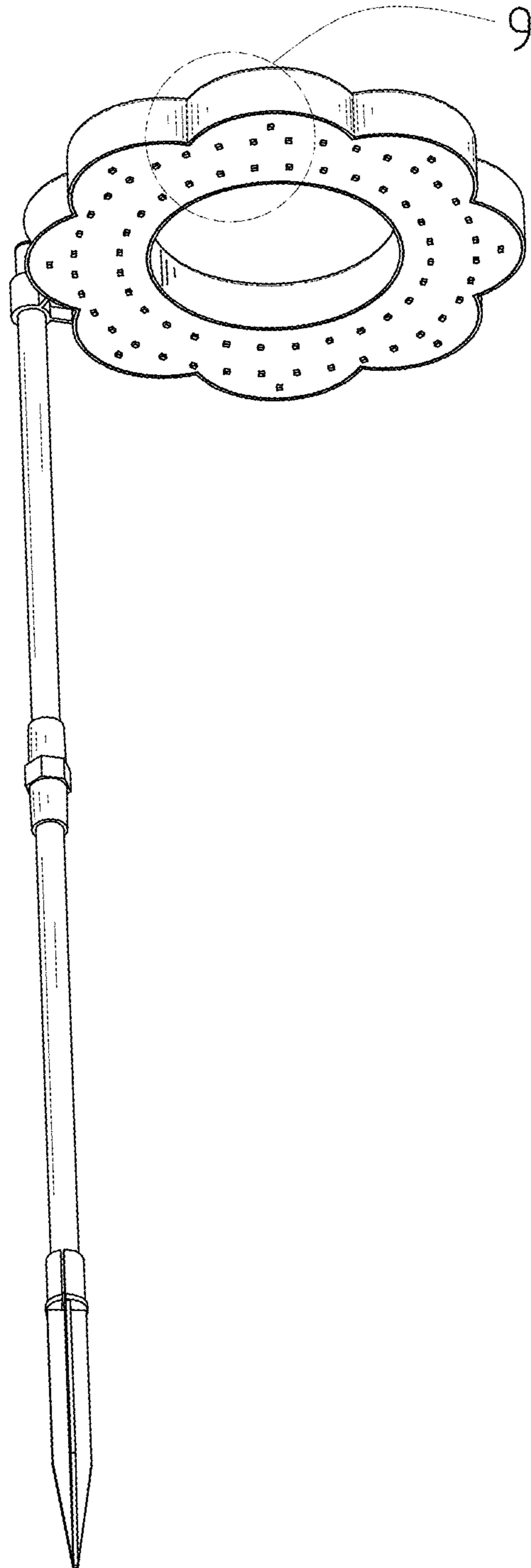


FIG. 2

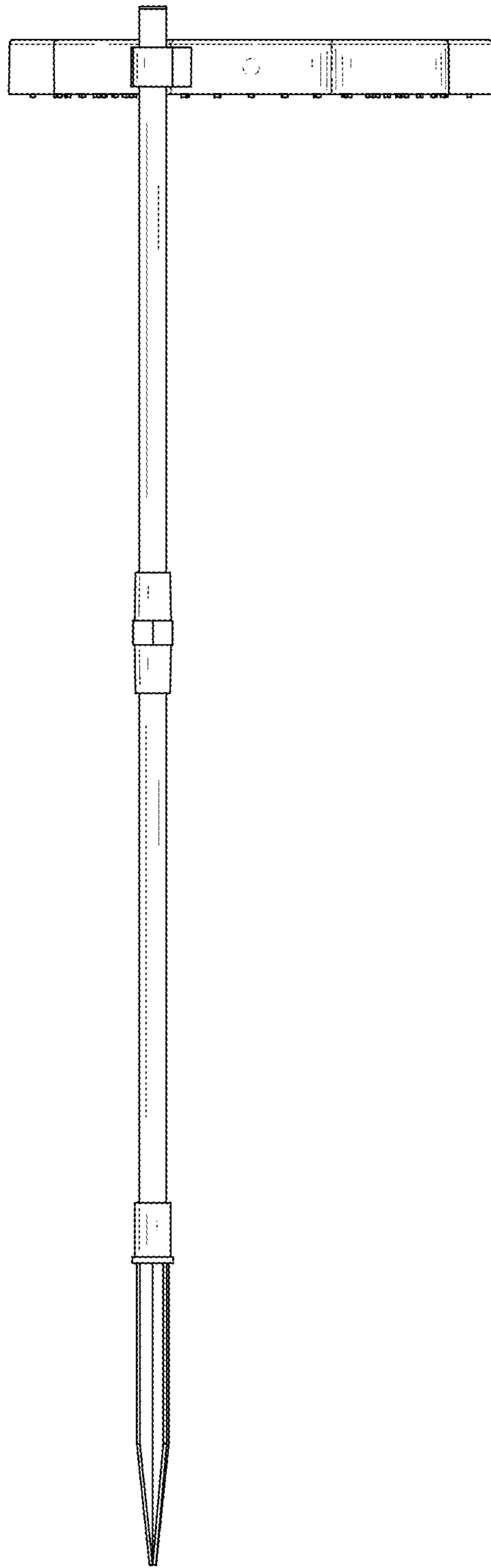


FIG. 3

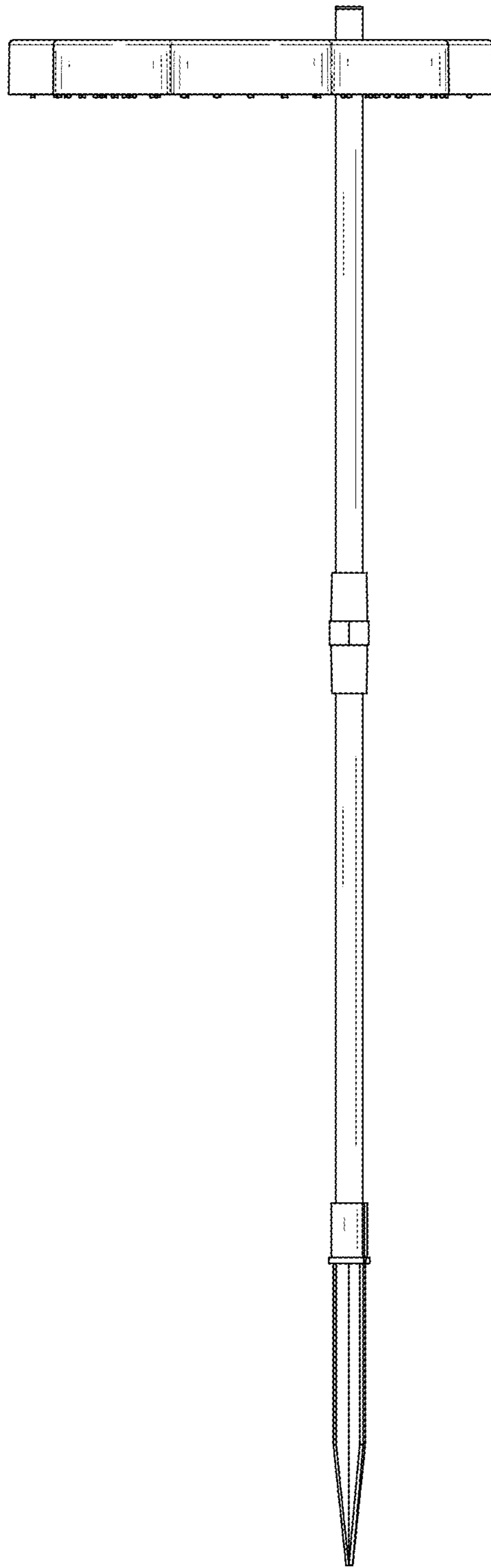


FIG. 4

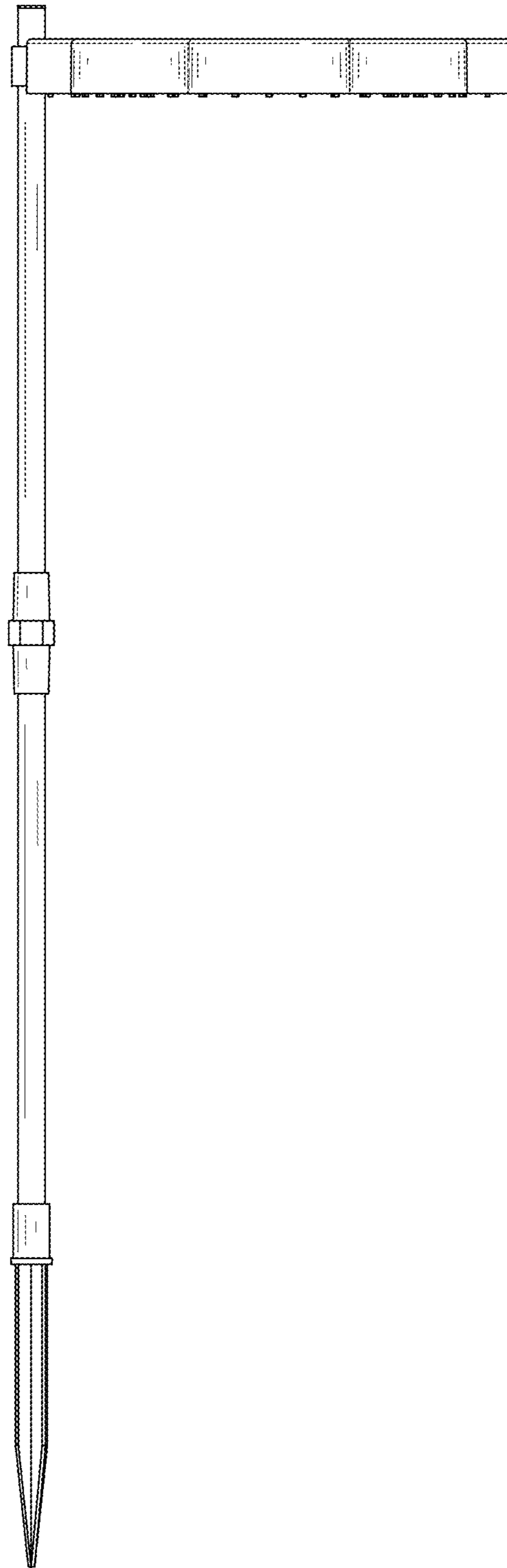


FIG. 5

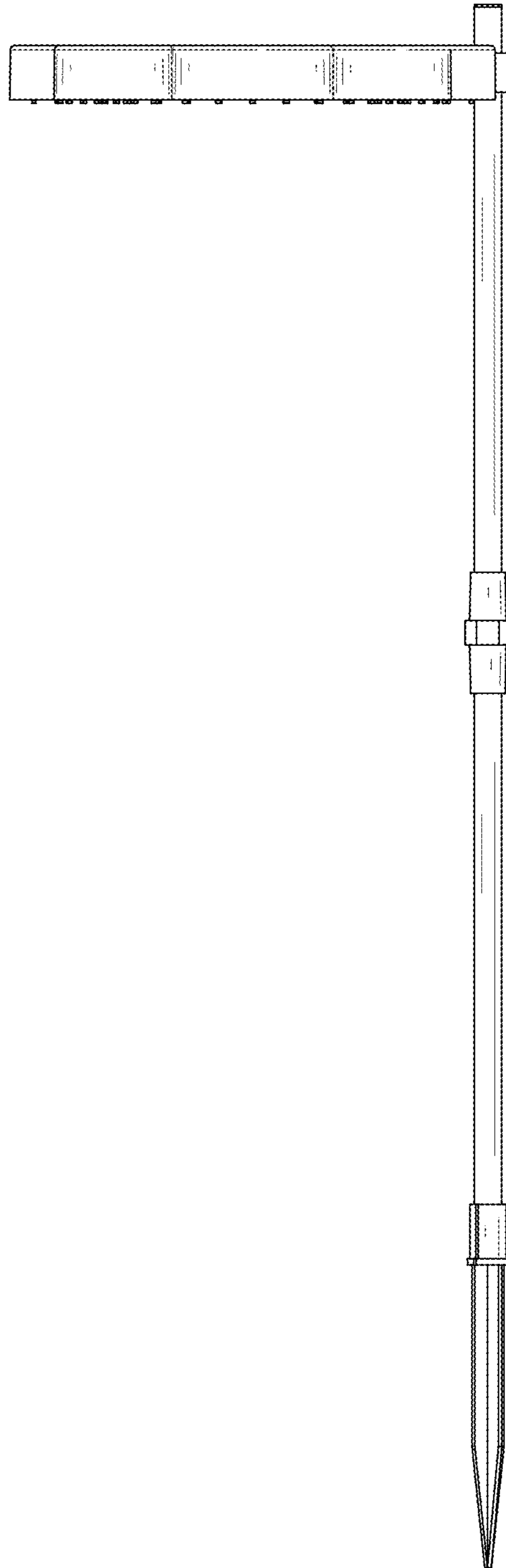


FIG. 6

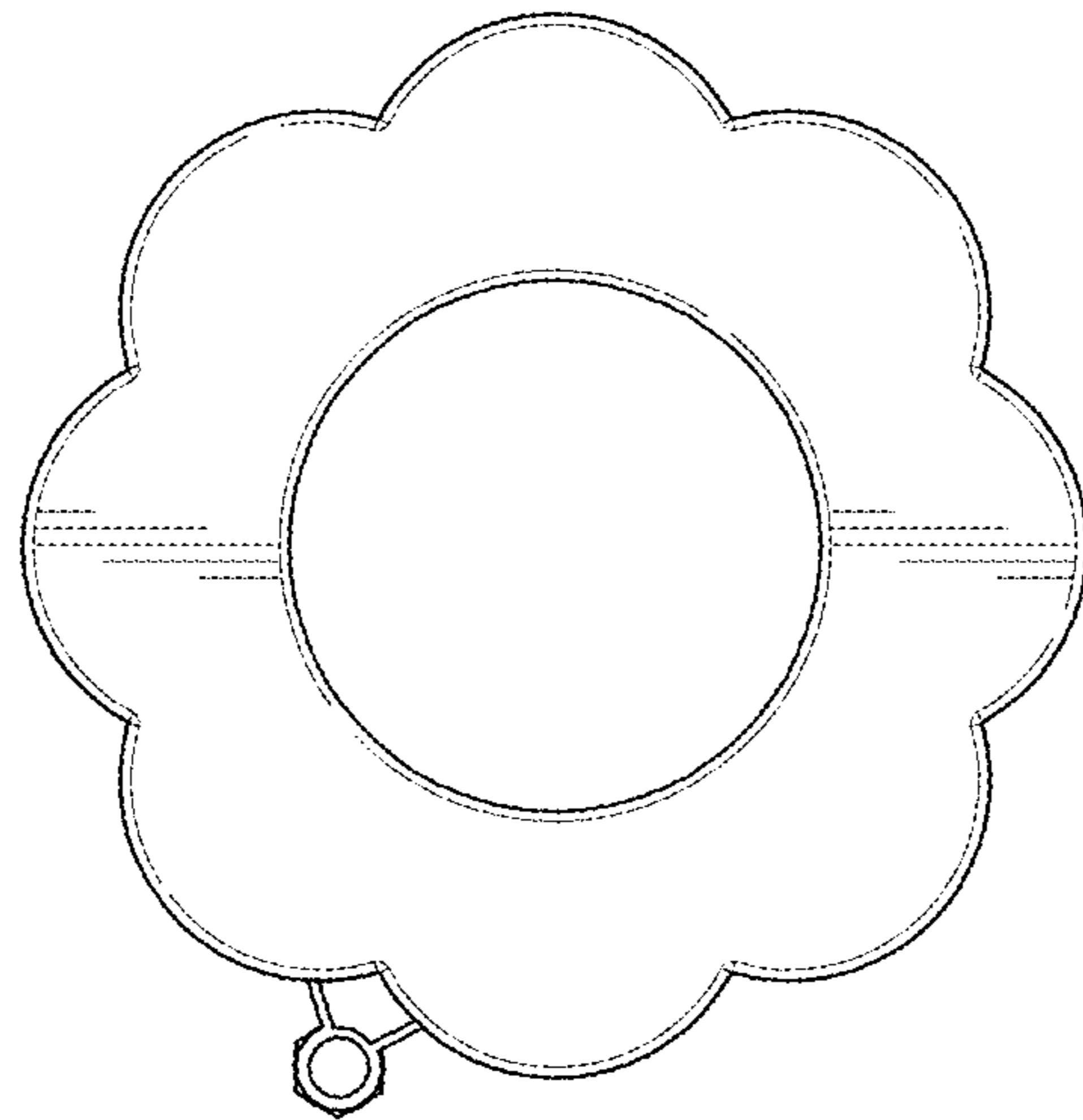


FIG. 7

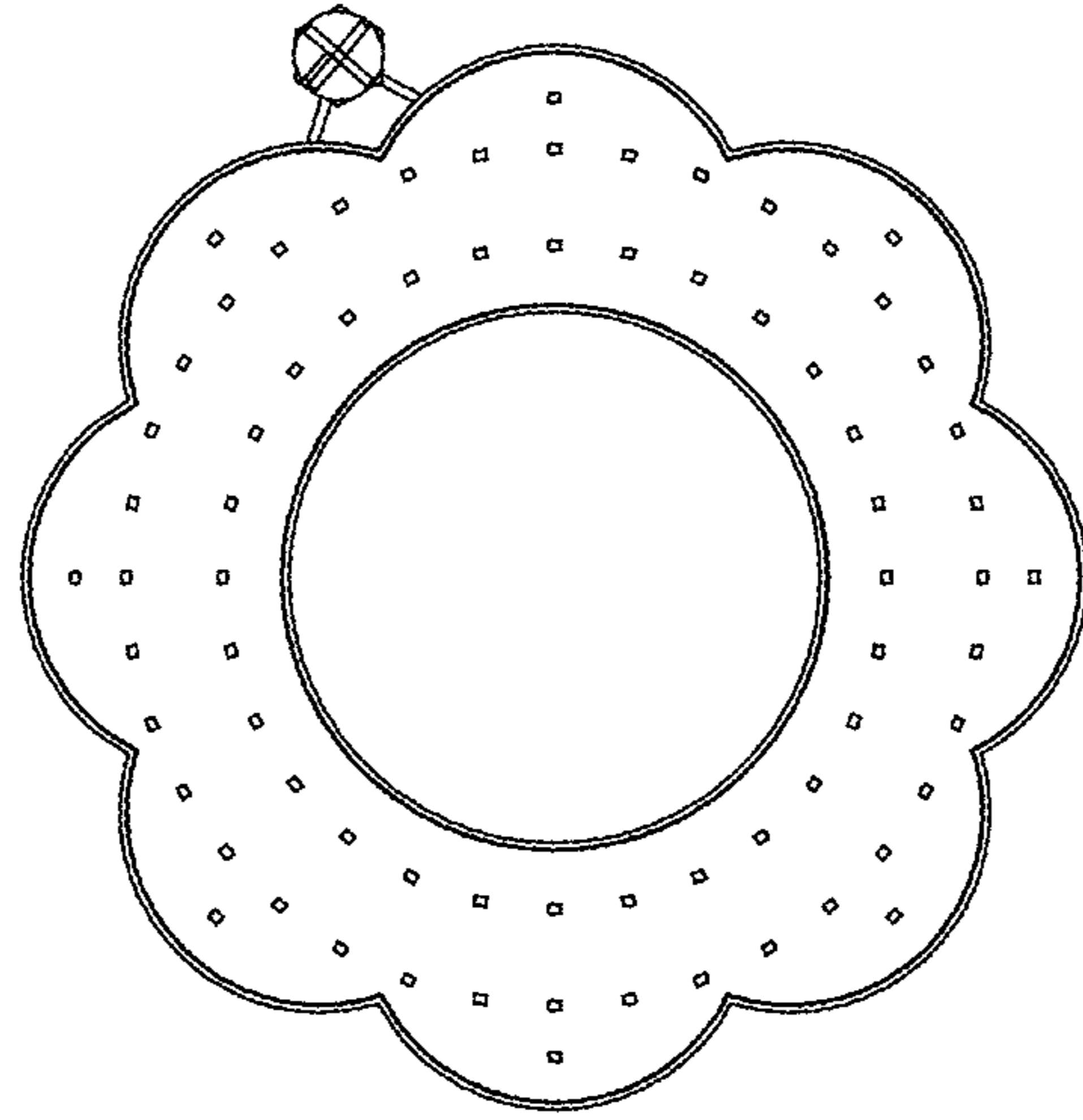


FIG. 8

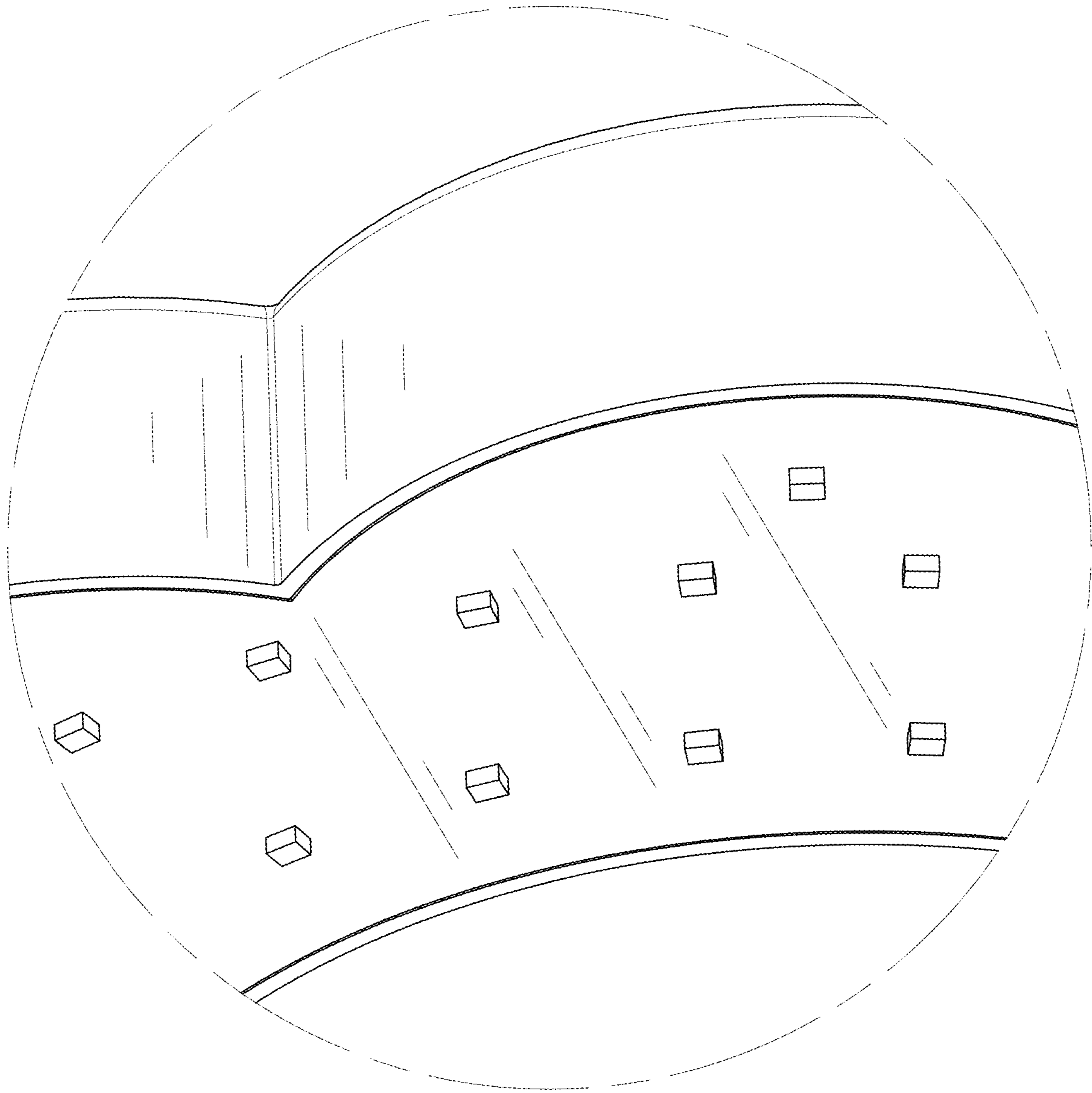


FIG. 9