



US00D980489S

(12) **United States Design Patent**
Liu

(10) **Patent No.:** **US D980,489 S**
(45) **Date of Patent:** **** Mar. 7, 2023**

(54) **WALL LAMP**

D970,769 S * 11/2022 Wu D26/63
D970,770 S * 11/2022 Wang D26/65
D973,936 S * 12/2022 Zhuo D26/65

(71) Applicant: **Haifeng Liu**, Hai'an (CN)

* cited by examiner

(72) Inventor: **Haifeng Liu**, Hai'an (CN)

Primary Examiner — Michael A. Pratt

(73) Assignee: **Haifeng Liu**, Hai'an (CN)

(74) *Attorney, Agent, or Firm* — Nitin Kaushik

(**) Term: **15 Years**

(21) Appl. No.: **29/859,636**

(57) **CLAIM**

(22) Filed: **Nov. 11, 2022**

The ornamental design for a wall lamp, as shown and described.

(51) **LOC (14) Cl.** **26-05**

(52) **U.S. Cl.**
USPC **D26/63**

DESCRIPTION

(58) **Field of Classification Search**
USPC D26/63–65, 87, 72, 77, 80, 91–92
CPC F21V 17/12; F21V 23/06; F21V 21/02
See application file for complete search history.

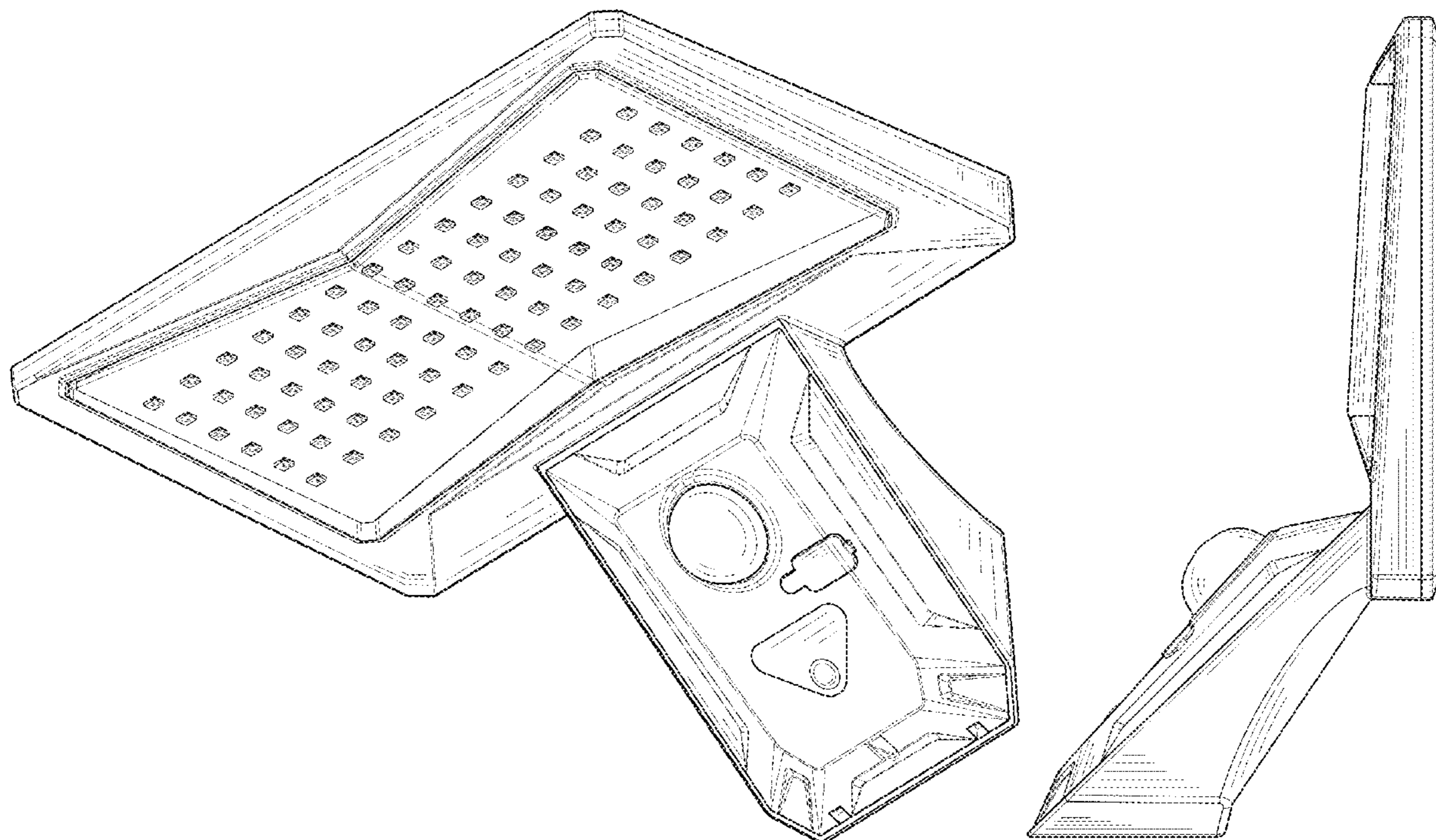
FIG. 1 is a front perspective view of a wall lamp, showing my new design;
FIG. 2 is a front view thereof;
FIG. 3 is a rear view thereof;
FIG. 4 is a left side view thereof;
FIG. 5 is a right side view thereof;
FIG. 6 is a top view thereof; and,
FIG. 7 is a bottom view thereof.

(56) **References Cited**

U.S. PATENT DOCUMENTS

D956,300 S * 6/2022 Yan D26/65
D956,304 S * 6/2022 Liu D26/65

1 Claim, 7 Drawing Sheets



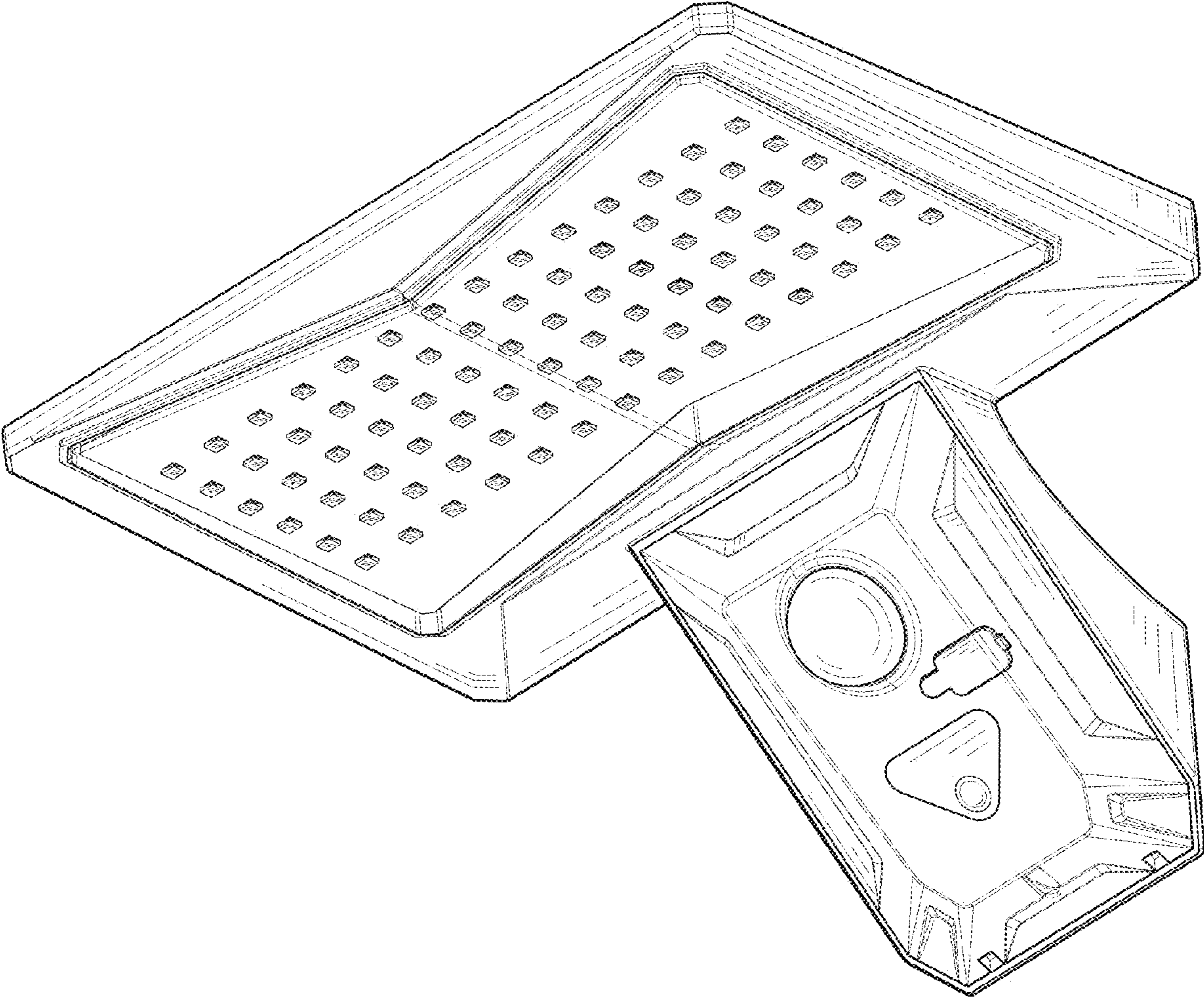


FIG. 1

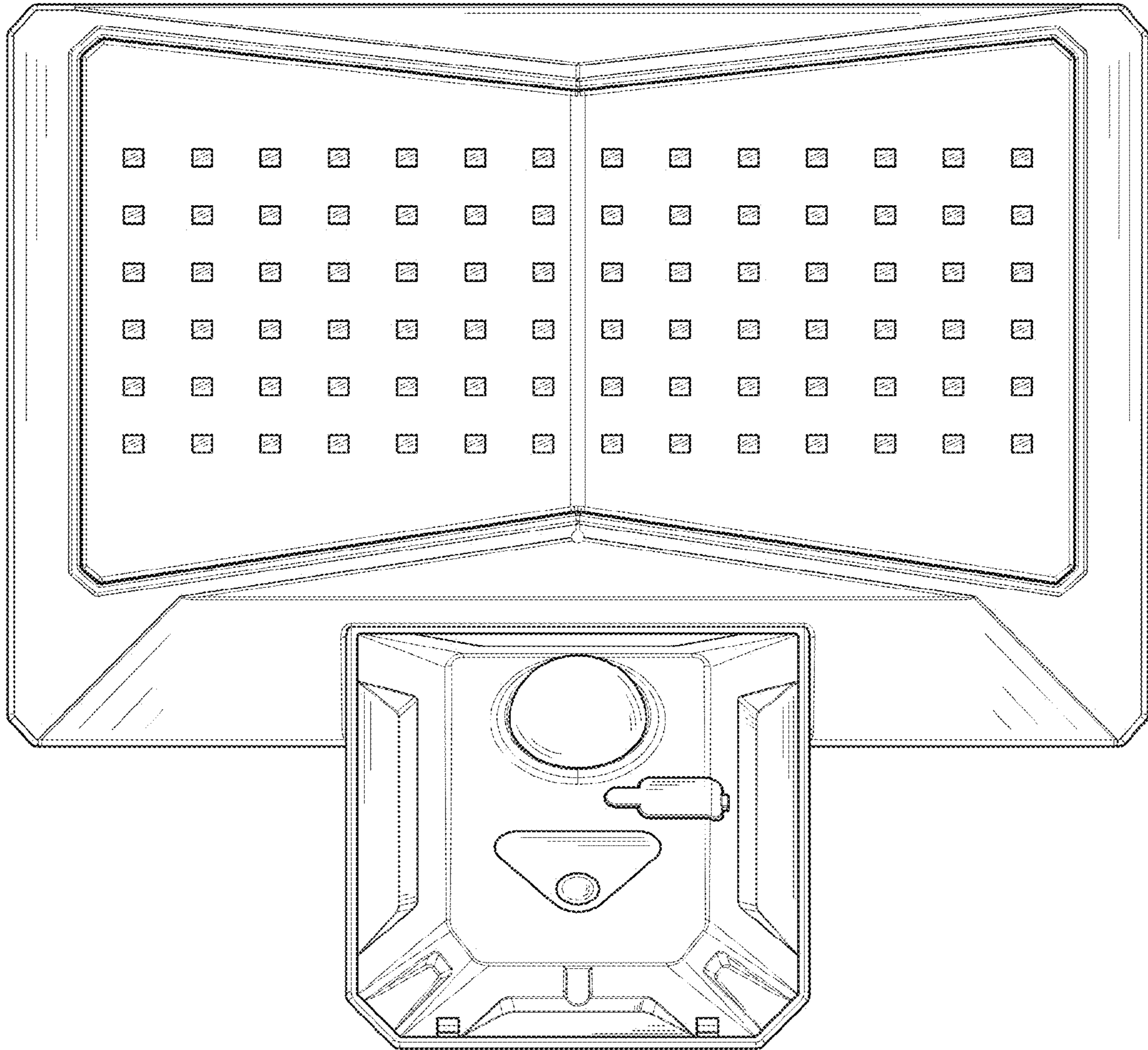


FIG. 2

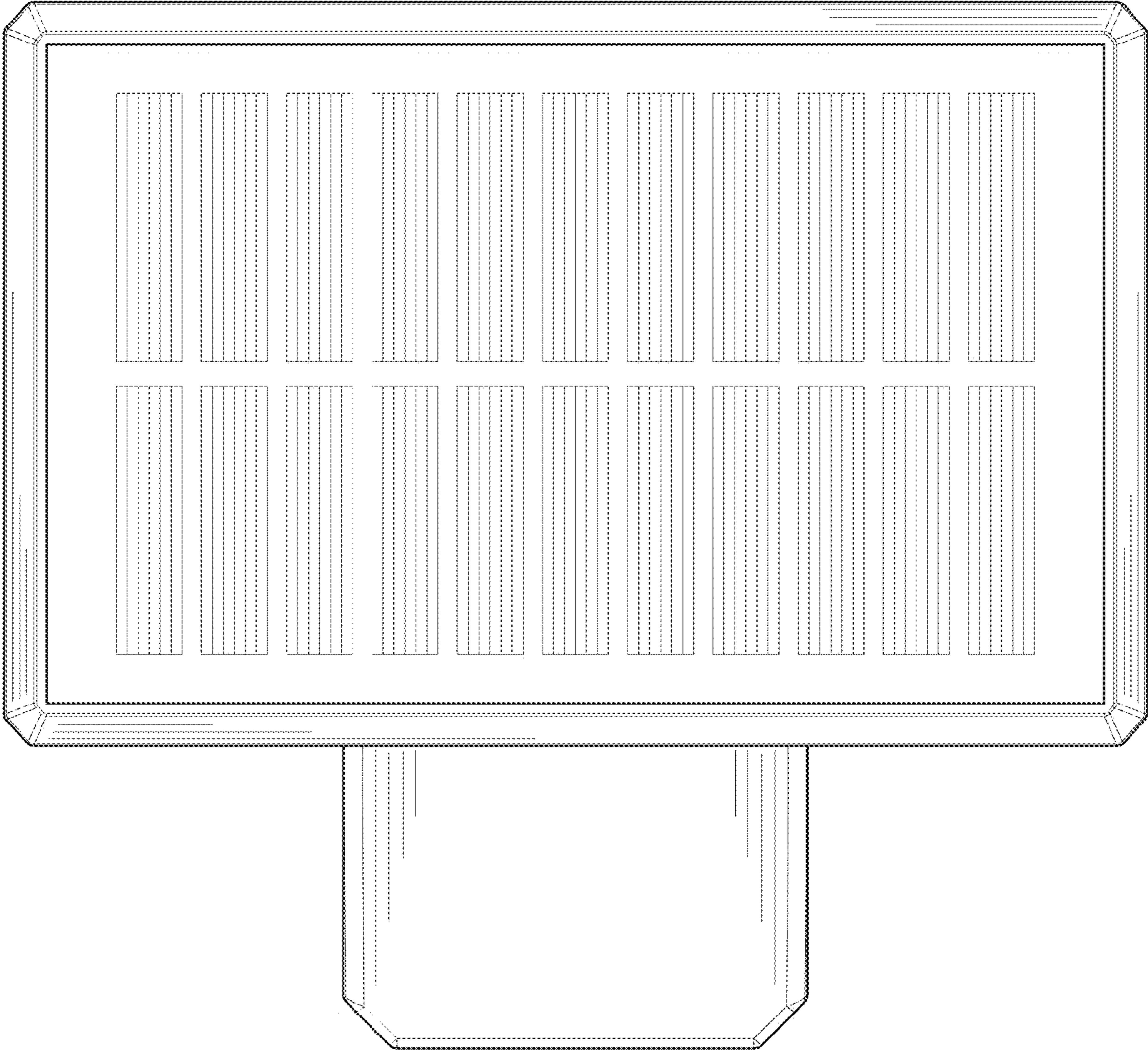


FIG. 3

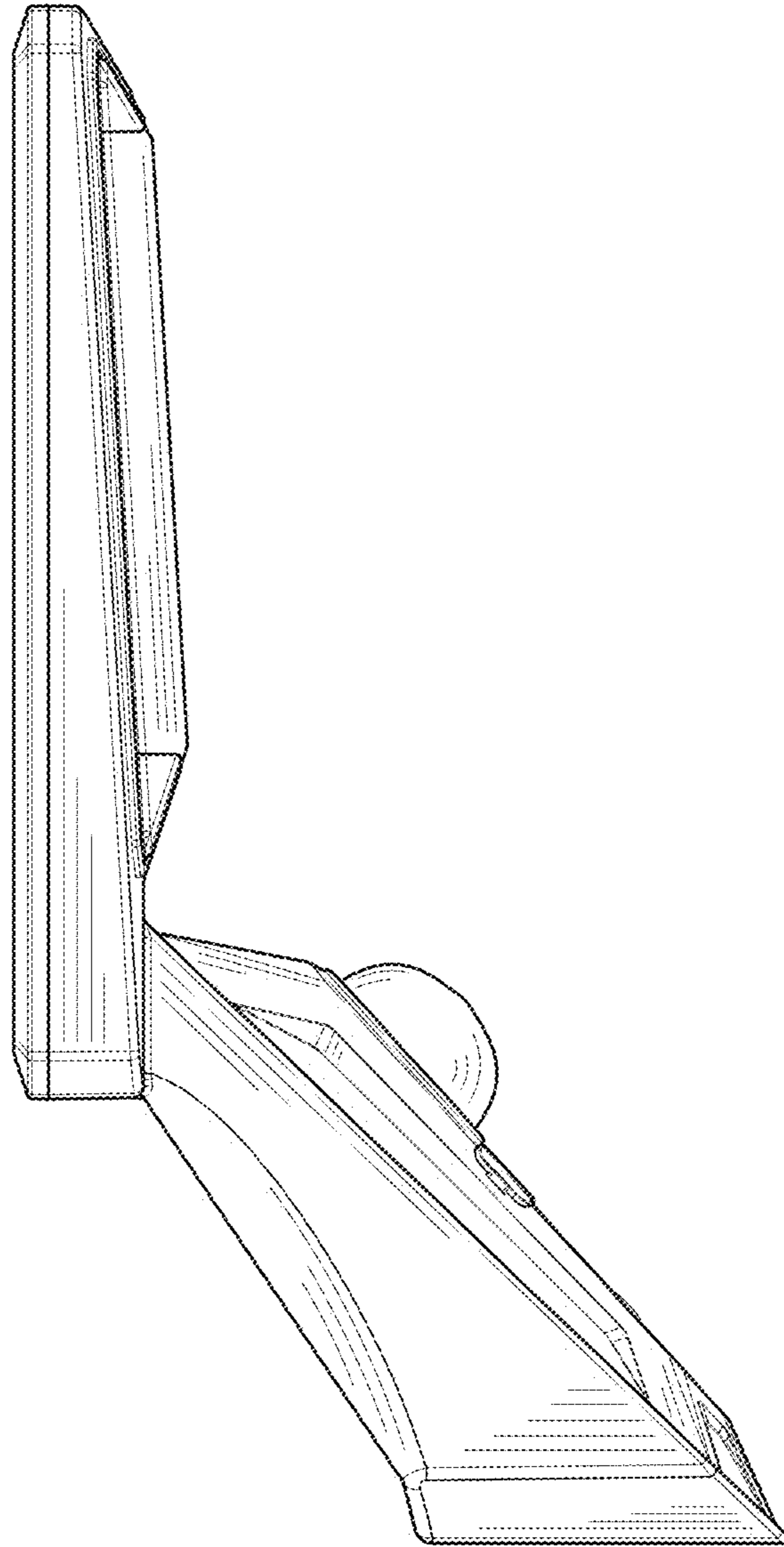


FIG. 4

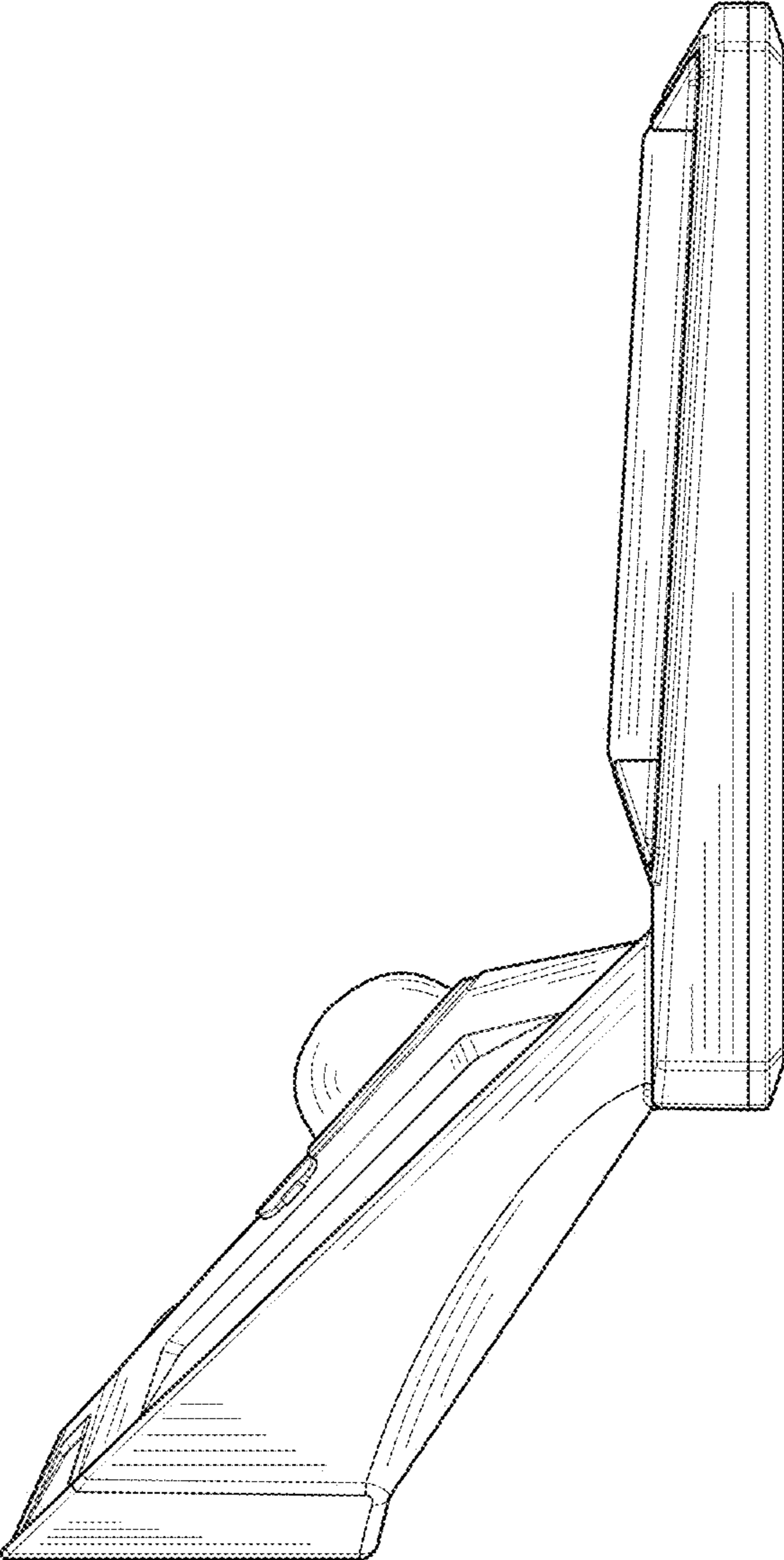


FIG. 5

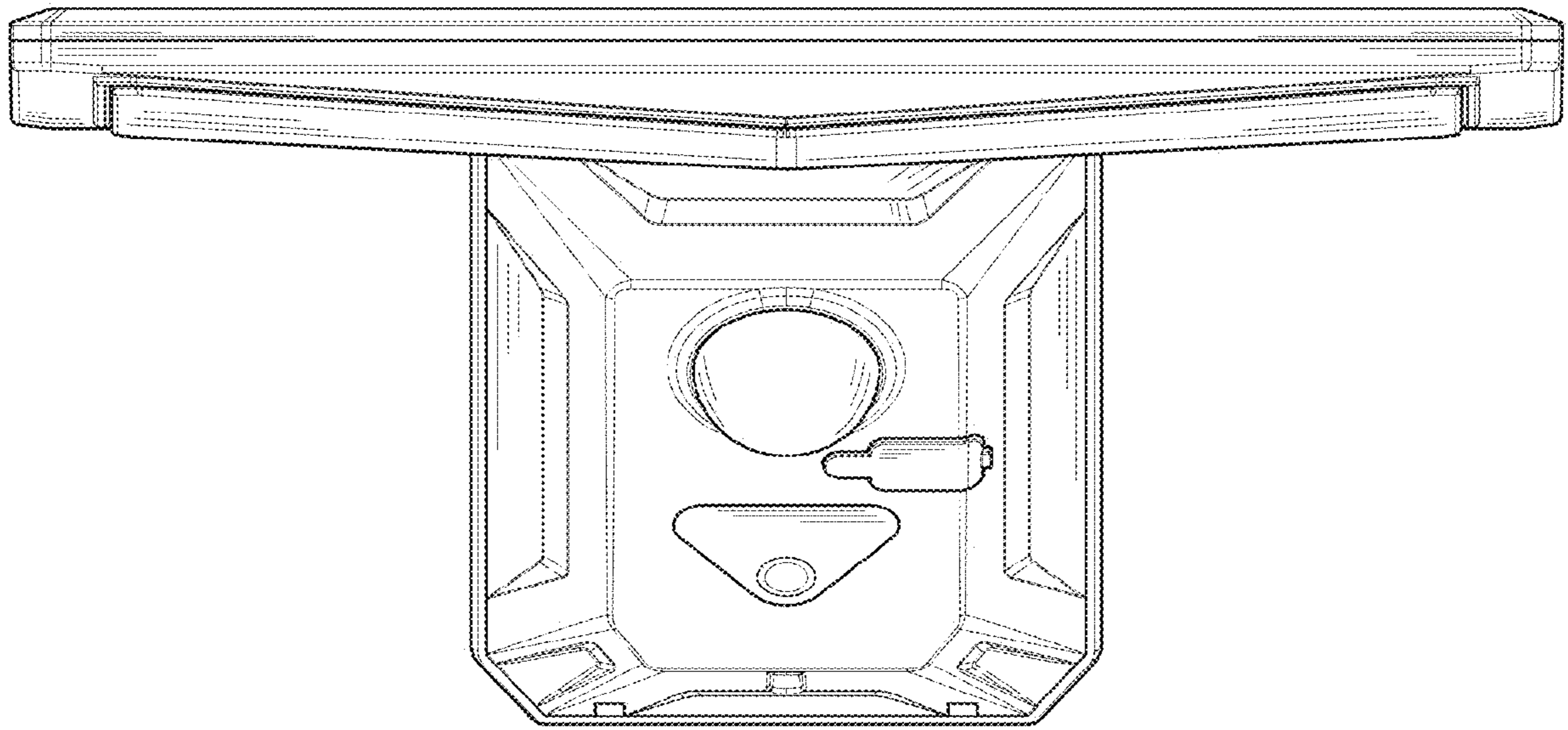


FIG. 6

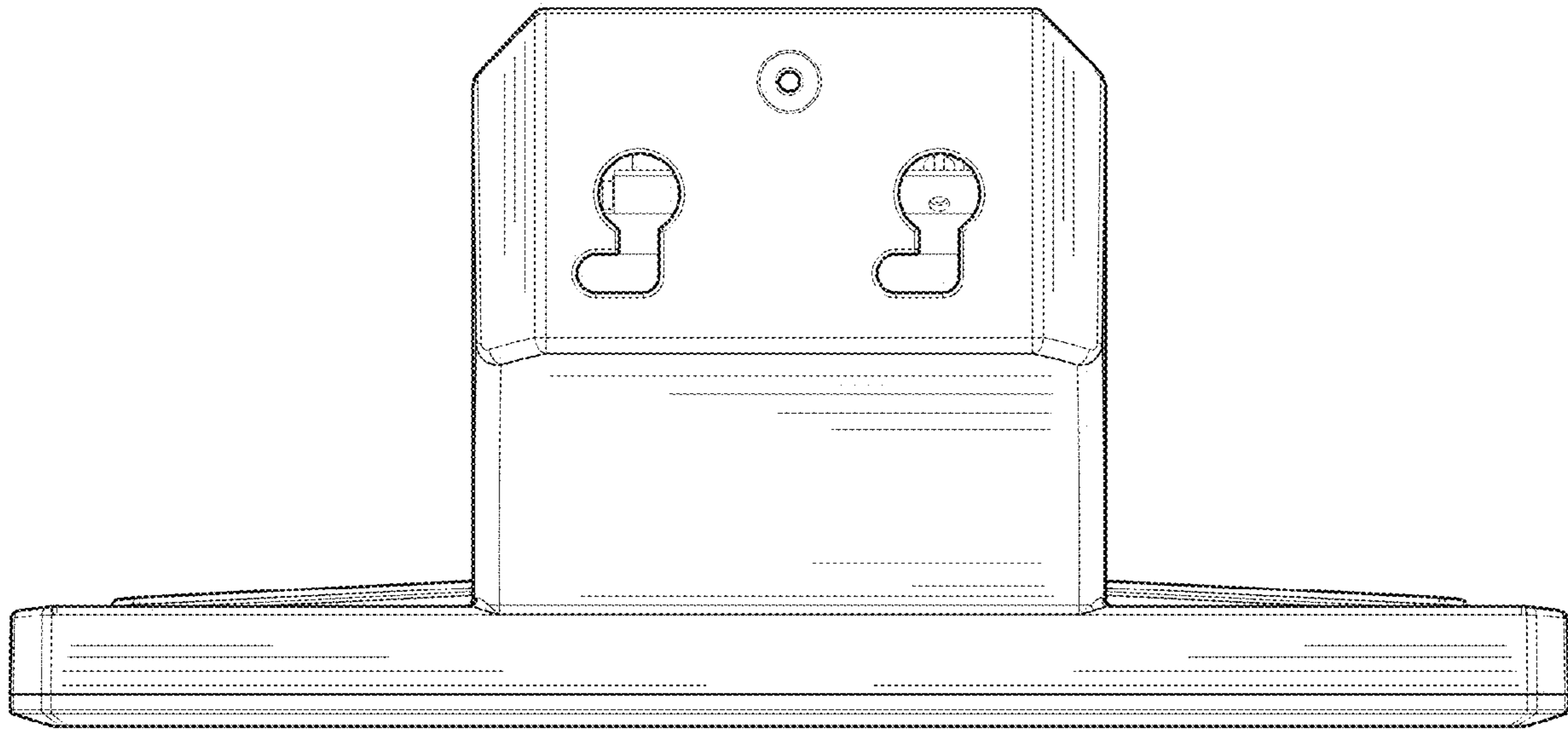


FIG. 7