



US00D980488S

(12) **United States Design Patent**
Guo

(10) **Patent No.:** **US D980,488 S**
(45) **Date of Patent:** **** Mar. 7, 2023**

- (54) **MOTION ACTIVATED SECURITY SPOTLIGHT**
- (71) Applicant: **Aiping Guo**, Shenzhen (CN)
- (72) Inventor: **Aiping Guo**, Shenzhen (CN)
- (**) Term: **15 Years**
- (21) Appl. No.: **29/817,346**
- (22) Filed: **Nov. 30, 2021**
- (51) **LOC (14) Cl.** **26-05**
- (52) **U.S. Cl.**
USPC **D26/63; D10/106.8**
- (58) **Field of Classification Search**
USPC D26/24, 60, 61, 63, 65, 67, 72, 88, 113,
D26/120, 140; D10/106.6, 106.7, 106.8
CPC F21S 8/00; F21S 8/03; F21S 8/032; F21S
8/033; F21S 8/036; F21W 2131/10;
F21W 2131/107; F21W 2131/109
See application file for complete search history.

- D949,451 S * 4/2022 Zhang D26/63
- D955,024 S * 6/2022 Wu D26/63
- D956,304 S * 6/2022 Liu D26/65

FOREIGN PATENT DOCUMENTS

CN 306763918 S 8/2021

OTHER PUBLICATIONS

Light It, posted at Amazon, date first available Feb. 23, 2021. Site visited Aug. 19, 2022. Available from internet, URL: <https://www.amazon.com/LIGHT-Fulcrum-Wireless-Security-35001-101/dp/B08X8XPTY> (Year: 2021).*

Mr. Beams, posted at Amazon, date first available Oct. 10, 2016. Site visited Aug. 19, 2022. Available from internet, URL: <https://www.amazon.com/Mr-Beams-Netbright-Performance-Spotlight/dp/B01MDKB614> (Year: 2016).*

* cited by examiner

Primary Examiner — Kathleen L Jones
Assistant Examiner — Vanessa Martinez

(56) **References Cited**

U.S. PATENT DOCUMENTS

- D214,582 S * 7/1969 Routh D26/63
- 5,381,323 A * 1/1995 Osteen F21V 17/02
- 340/567
- D441,113 S * 4/2001 Small D26/63
- D742,053 S * 10/2015 Sussman D26/63
- D774,231 S * 12/2016 Recker D26/63
- D858,845 S * 9/2019 Zhang D26/63
- D866,035 S 11/2019 Tan
- D869,720 S * 12/2019 Recker D26/63
- D869,721 S * 12/2019 Recker D26/63
- D882,848 S * 4/2020 Zhang D26/63
- D889,721 S 7/2020 Tan
- D892,380 S * 8/2020 Yan D26/65
- D894,463 S * 8/2020 Recker D26/63
- D914,261 S * 3/2021 Ouyang D26/65
- D914,946 S * 3/2021 Siminoff D26/63
- D932,082 S * 9/2021 Zhang D26/72
- D934,479 S * 10/2021 Liu D26/63
- D949,449 S * 4/2022 Zhang D26/63

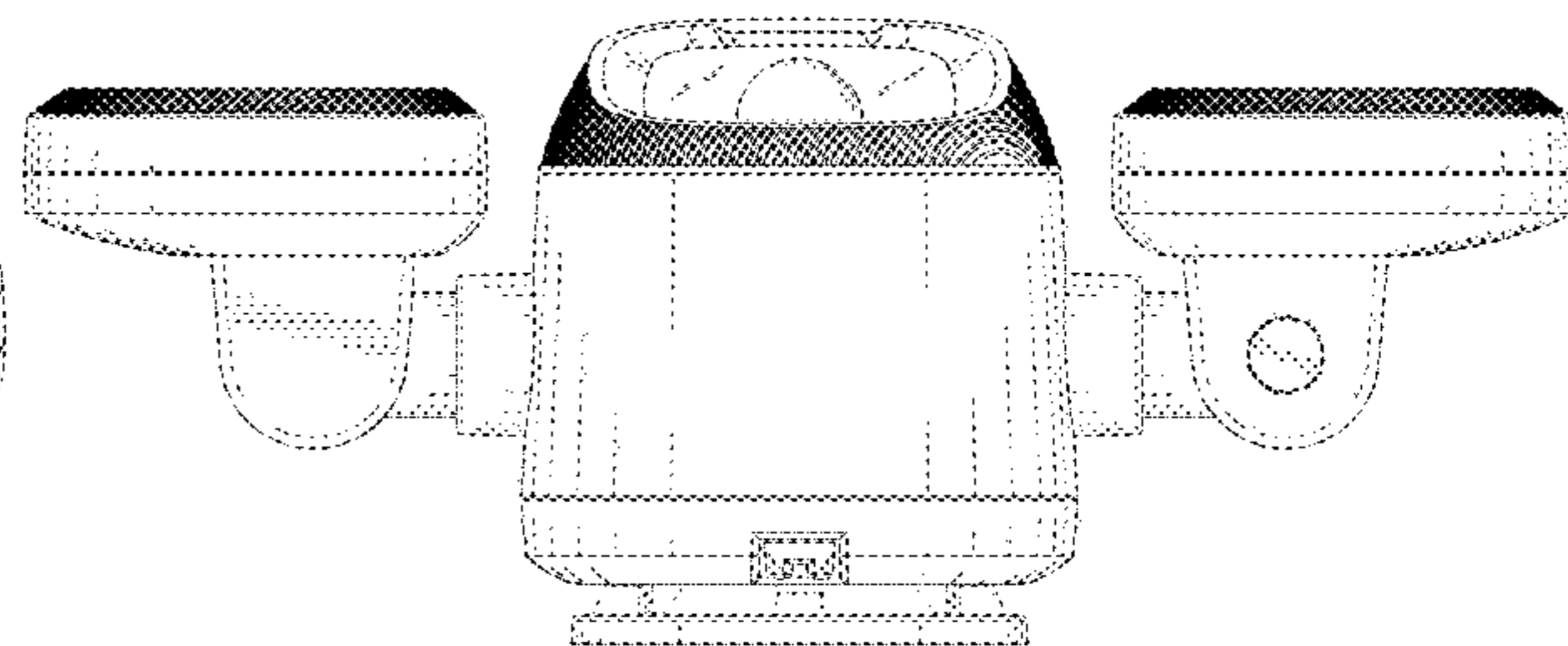
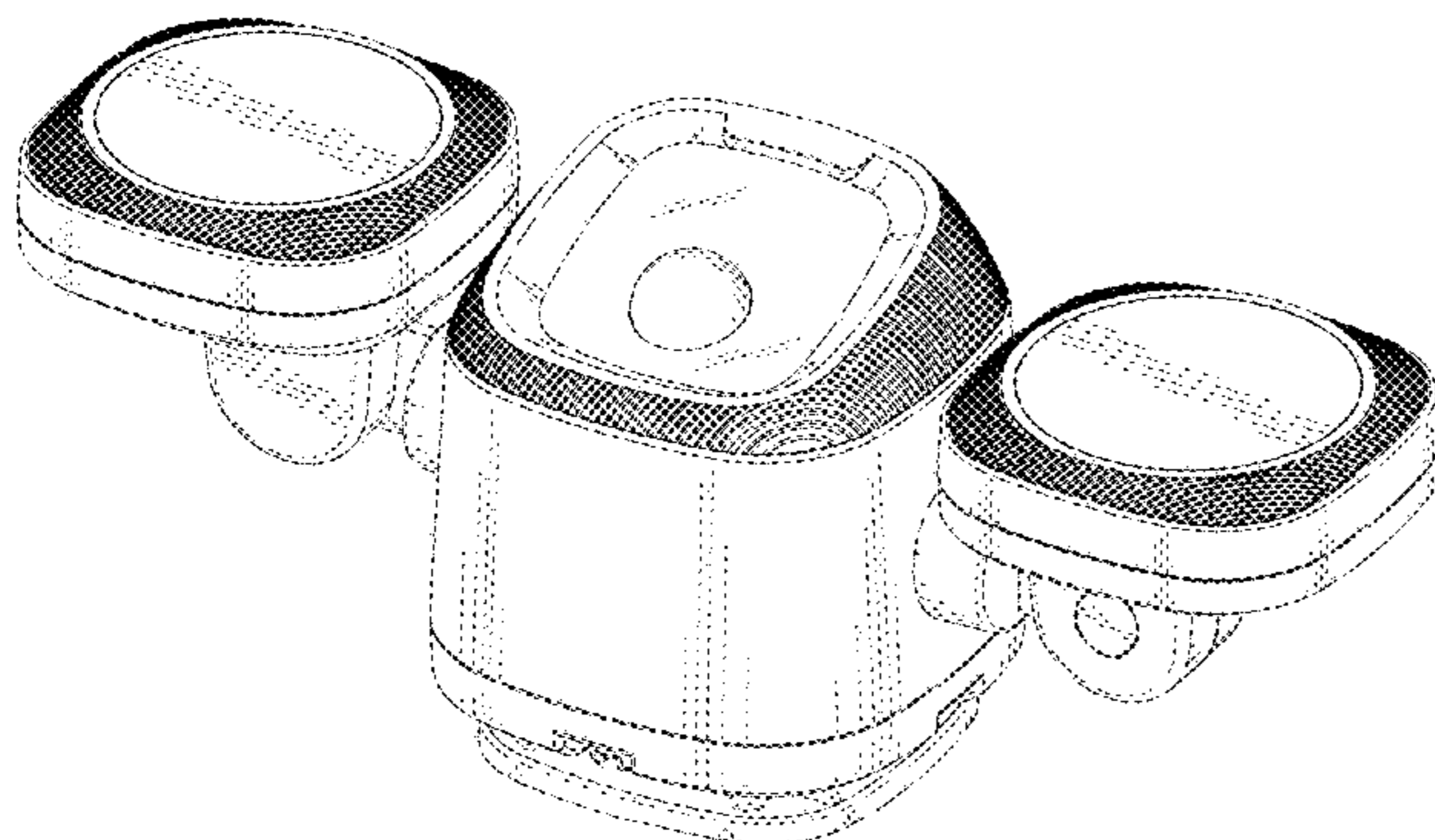
(57) **CLAIM**

The ornamental design for a motion activated security spotlight, as shown and described.

DESCRIPTION

FIG. 1 is a top, front and right perspective view of a motion activated security spotlight showing my new design;
FIG. 2 is a front view thereof;
FIG. 3 is a rear view thereof;
FIG. 4 is a left side view thereof;
FIG. 5 is a right side view thereof;
FIG. 6 is a top plan view thereof; and,
FIG. 7 is a bottom plan view thereof.
The broken lines in the figures illustrate portions of the motion activated security spotlight that form no part of the claimed design.

1 Claim, 7 Drawing Sheets



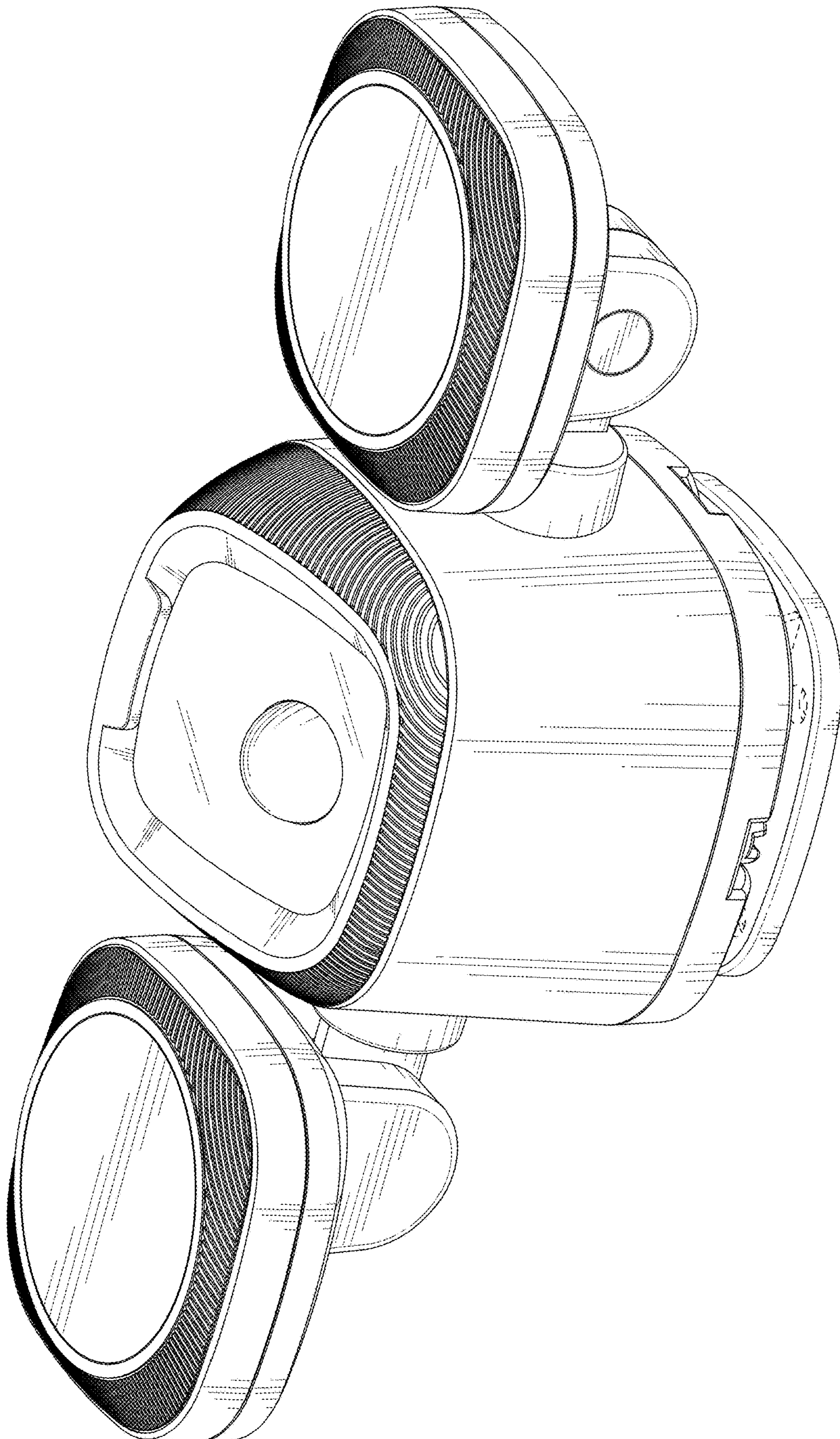


FIG. 1

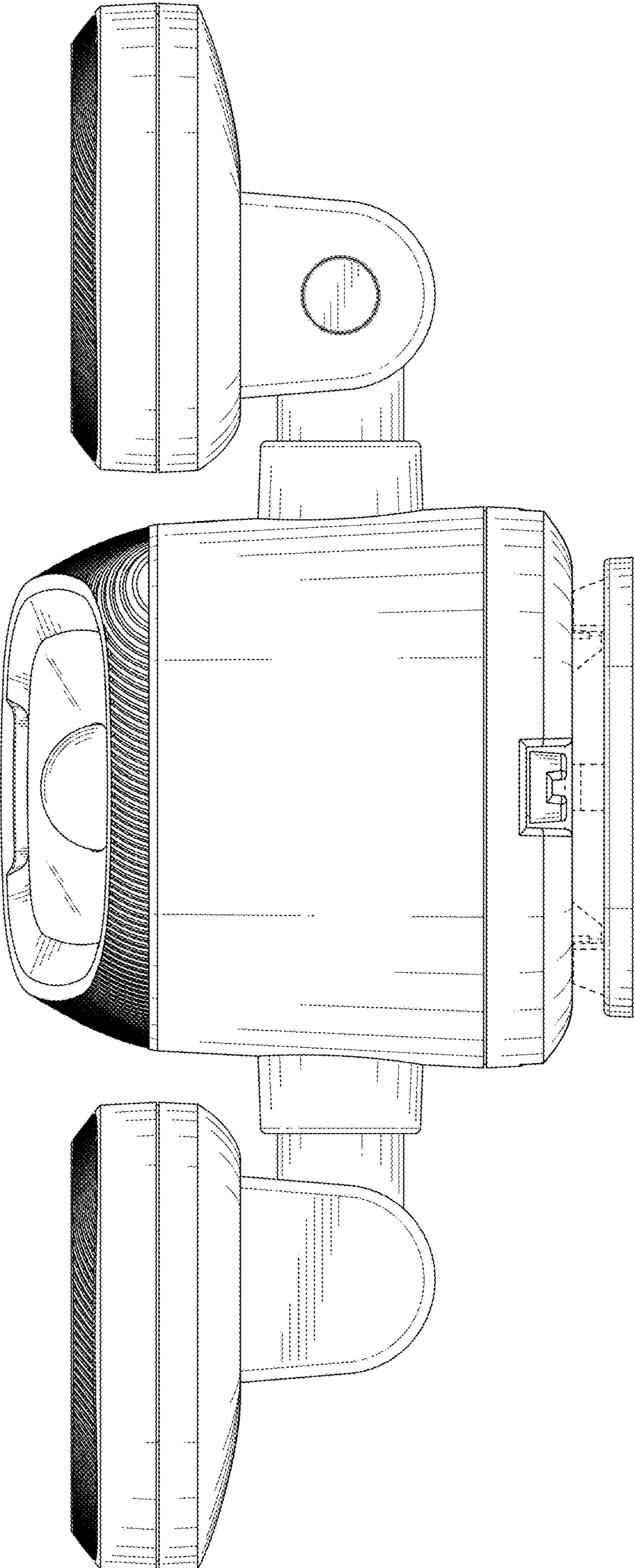


FIG. 2

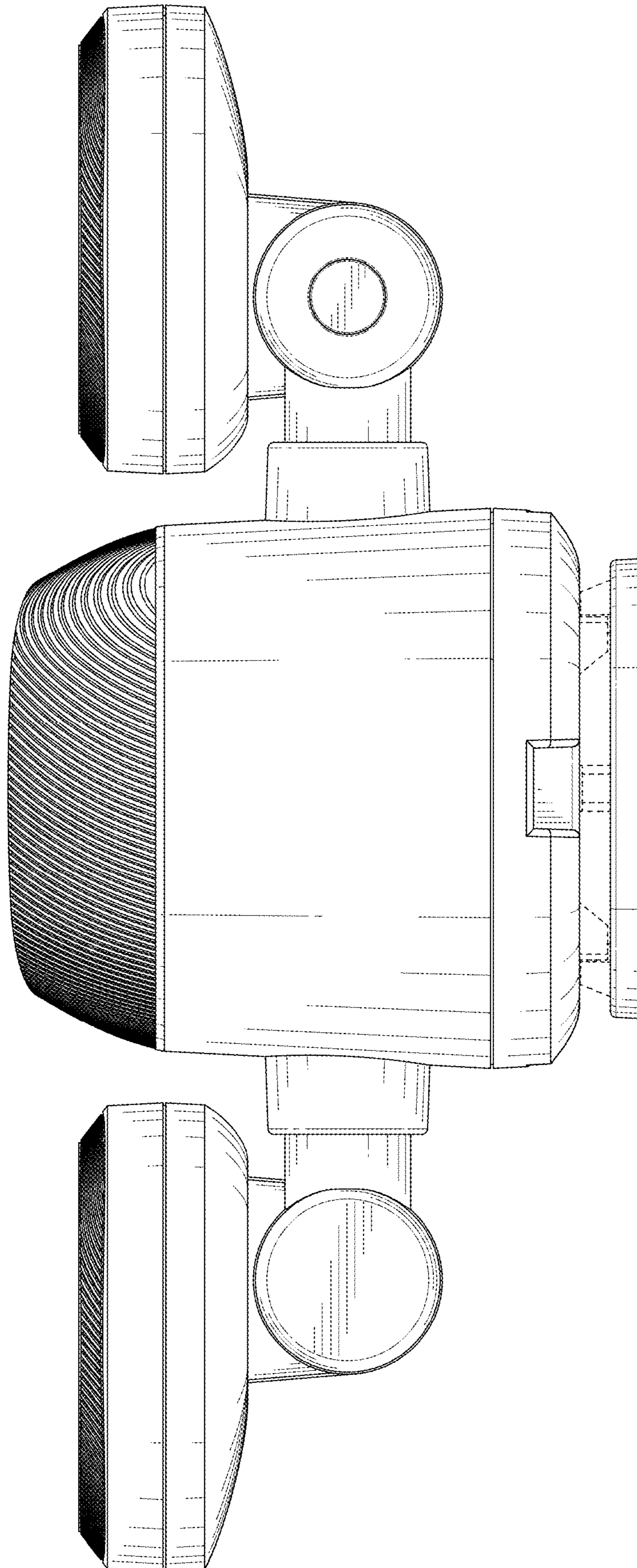


FIG. 3

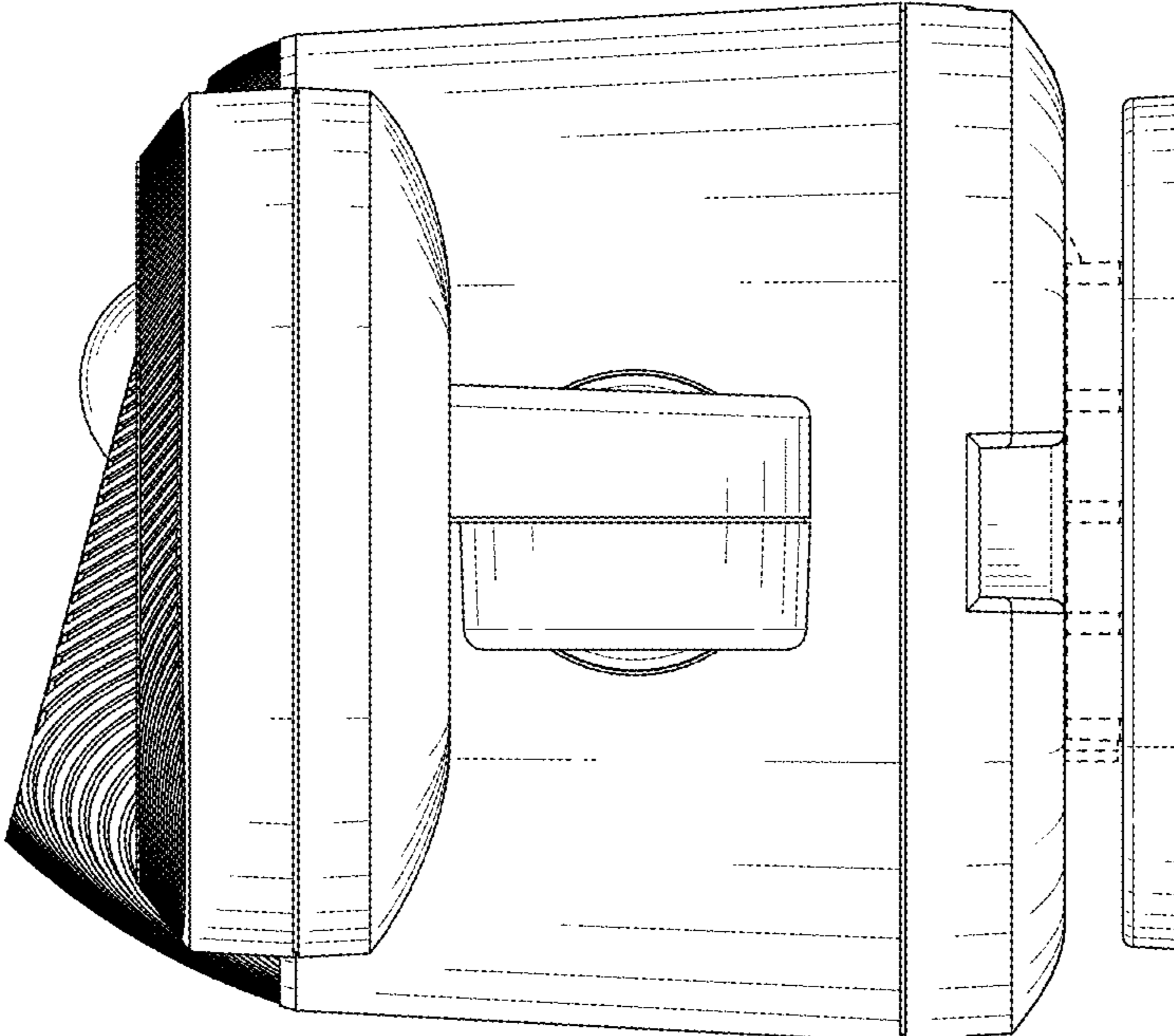


FIG. 4

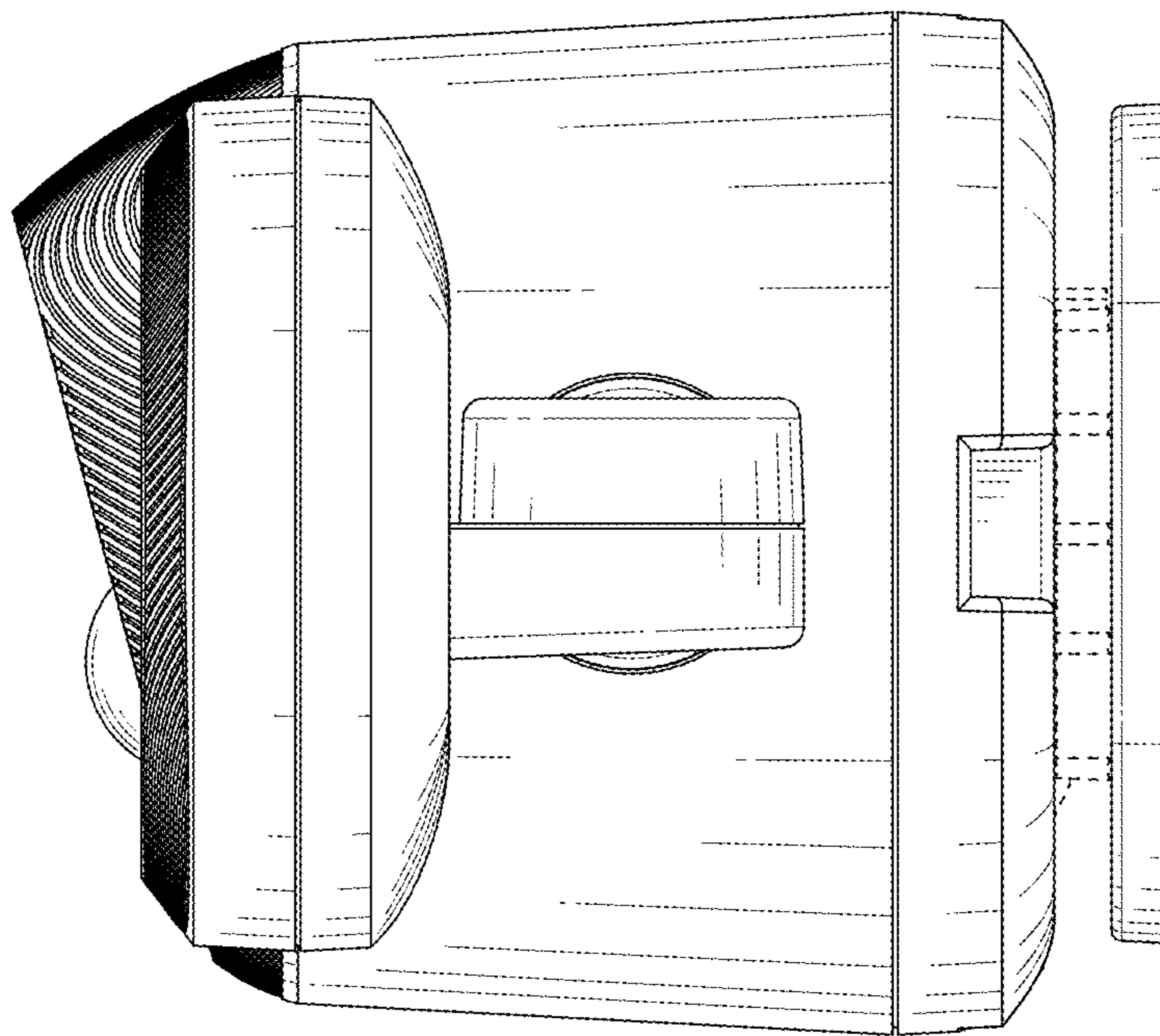


FIG. 5

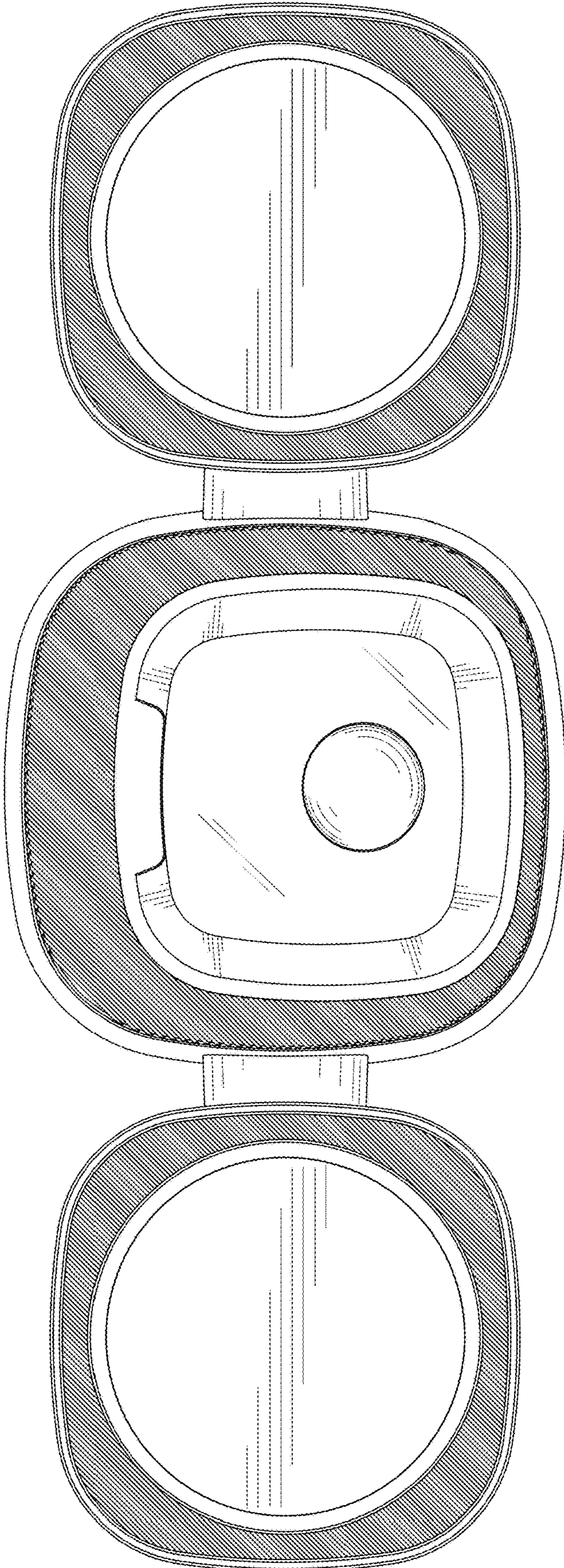


FIG. 6

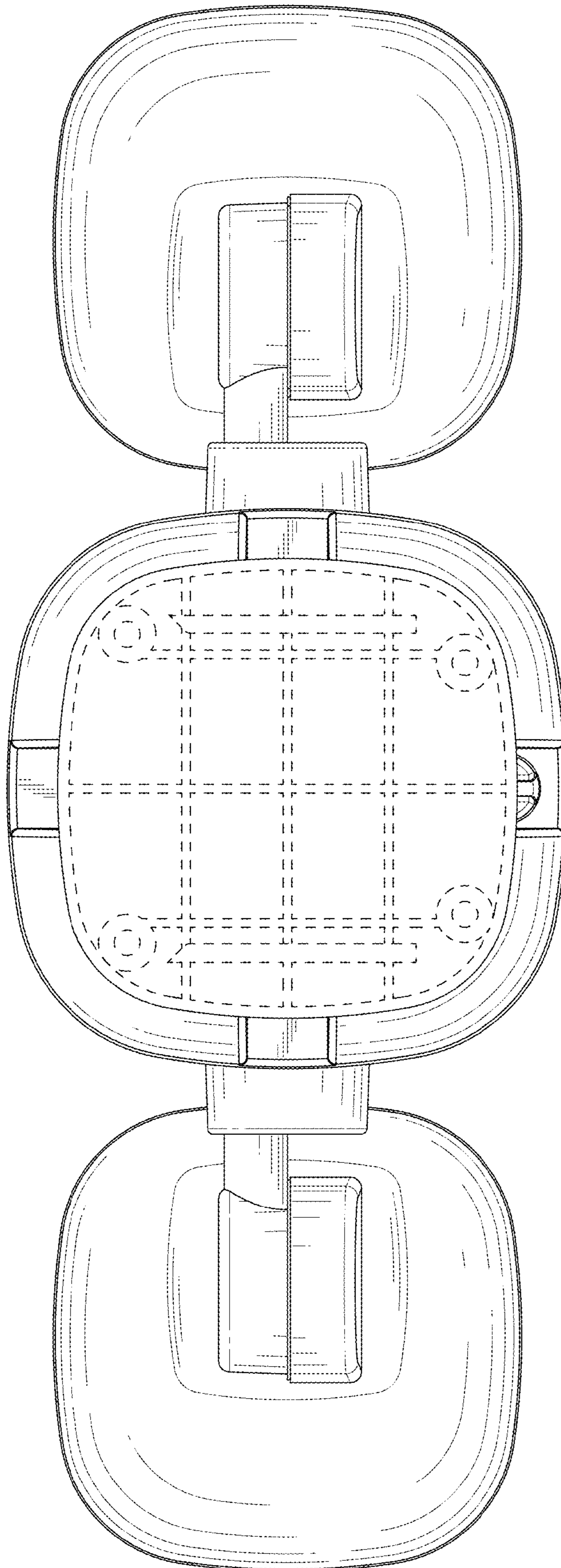


FIG. 7