



US00D980487S

(12) **United States Design Patent**
Ernst

(10) **Patent No.:** **US D980,487 S**
(45) **Date of Patent:** **** Mar. 7, 2023**

- (54) **LAMP**
- (71) Applicant: **Astera Manufacturing Limited**,
Shenzhen (CN)
- (72) Inventor: **Norbert Ernst**, Shenzhen (CN)
- (73) Assignee: **ASTERA MANUFACTURING LIMITED**, Shenzhen (CN)

11,073,265 B2 * 7/2021 Harvey F21V 23/0414
 D946,645 S * 3/2022 Luo D16/239
 D957,711 S * 7/2022 Shen F21V 23/0414
 D26/44

- (**) Term: **15 Years**
- (21) Appl. No.: **29/784,155**
- (22) Filed: **May 18, 2021**

FOREIGN PATENT DOCUMENTS

KR 300546275-0001 * 11/2009

OTHER PUBLICATIONS

Twitter | Astera, posted on Jun. 16, 2021, © 2022 Twitter, Inc. [online], [site visited Oct. 17, 2022]. Available from Internet, <URL: https://twitter.com/Asteraofficial/status/1405193589148246023> (Year: 2021).*

* cited by examiner

(30) **Foreign Application Priority Data**

Jan. 26, 2021 (EM) 008411227-0001

(51) **LOC (14) Cl.** **26-05**

(52) **U.S. Cl.**
USPC **D26/63**

(58) **Field of Classification Search**
 USPC D26/24-63, 93, 104; D16/238-240
 CPC G03B 15/02; G03B 15/05; G03B 17/05;
 G03B 2215/0567; F21Y 2105/16; F21W
 2131/1005; F21W 2131/402
 See application file for complete search history.

(56) **References Cited**

U.S. PATENT DOCUMENTS

D724,773 S * 3/2015 Ryu D26/63
 D782,094 S * 3/2017 Fletcher D26/65
 D922,644 S * 6/2021 Eichelberger D26/63

Primary Examiner — Cary M Robinson
Assistant Examiner — Julie Marie Bailey

(74) *Attorney, Agent, or Firm* — Maier & Maier, PLLC

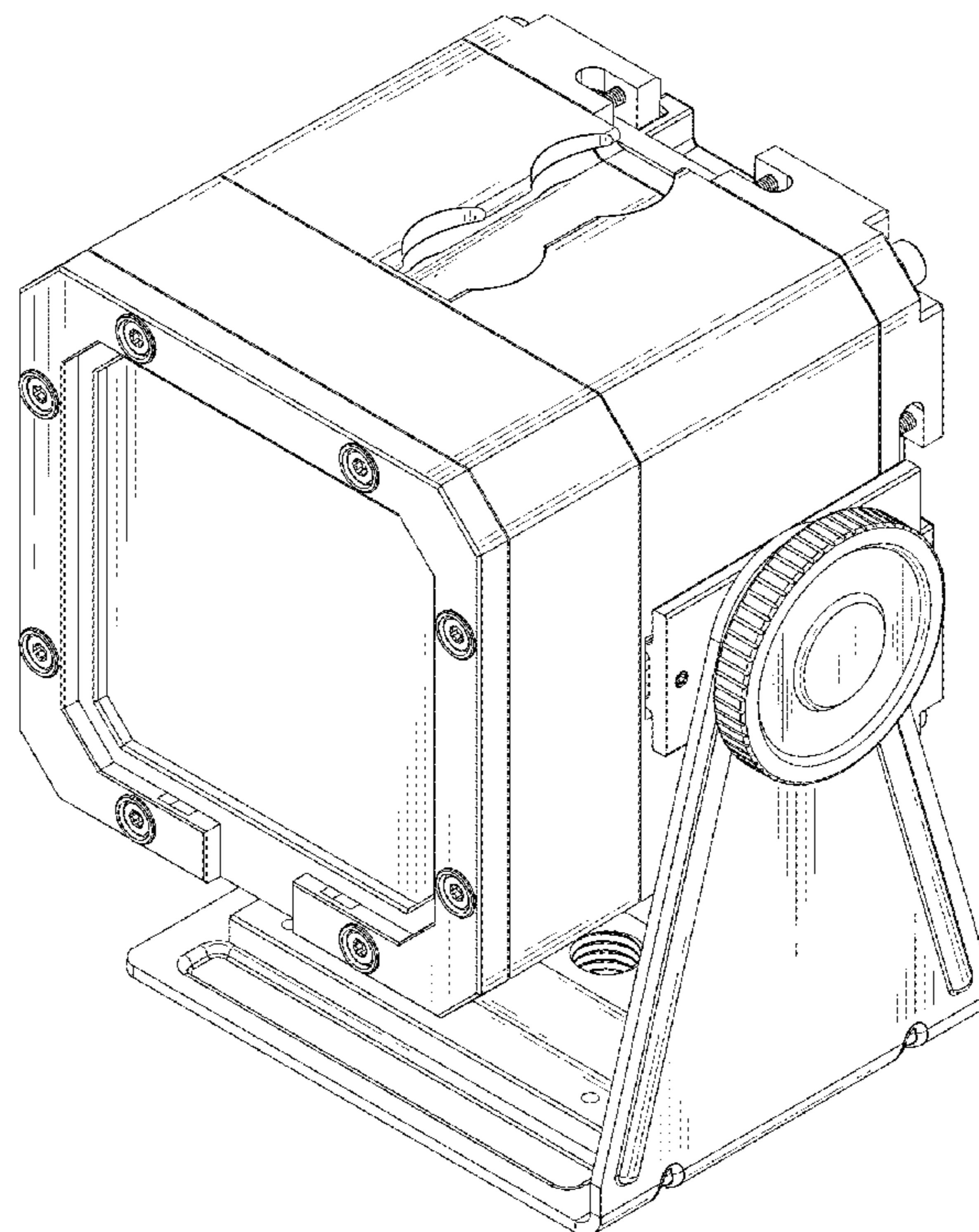
(57) **CLAIM**

The ornamental design for a lamp, as shown and described.

DESCRIPTION

FIG. 1 is a front isometric view of a lamp, showing my design;
 FIG. 2 is a rear isometric view thereof;
 FIG. 3 is a front elevational view thereof;
 FIG. 4 is a rear elevational view thereof;
 FIG. 5 is a left side elevational view thereof;
 FIG. 6 is a right side elevational view thereof;
 FIG. 7 is a top plan view thereof; and,
 FIG. 8 is a bottom plan view thereof.

1 Claim, 8 Drawing Sheets



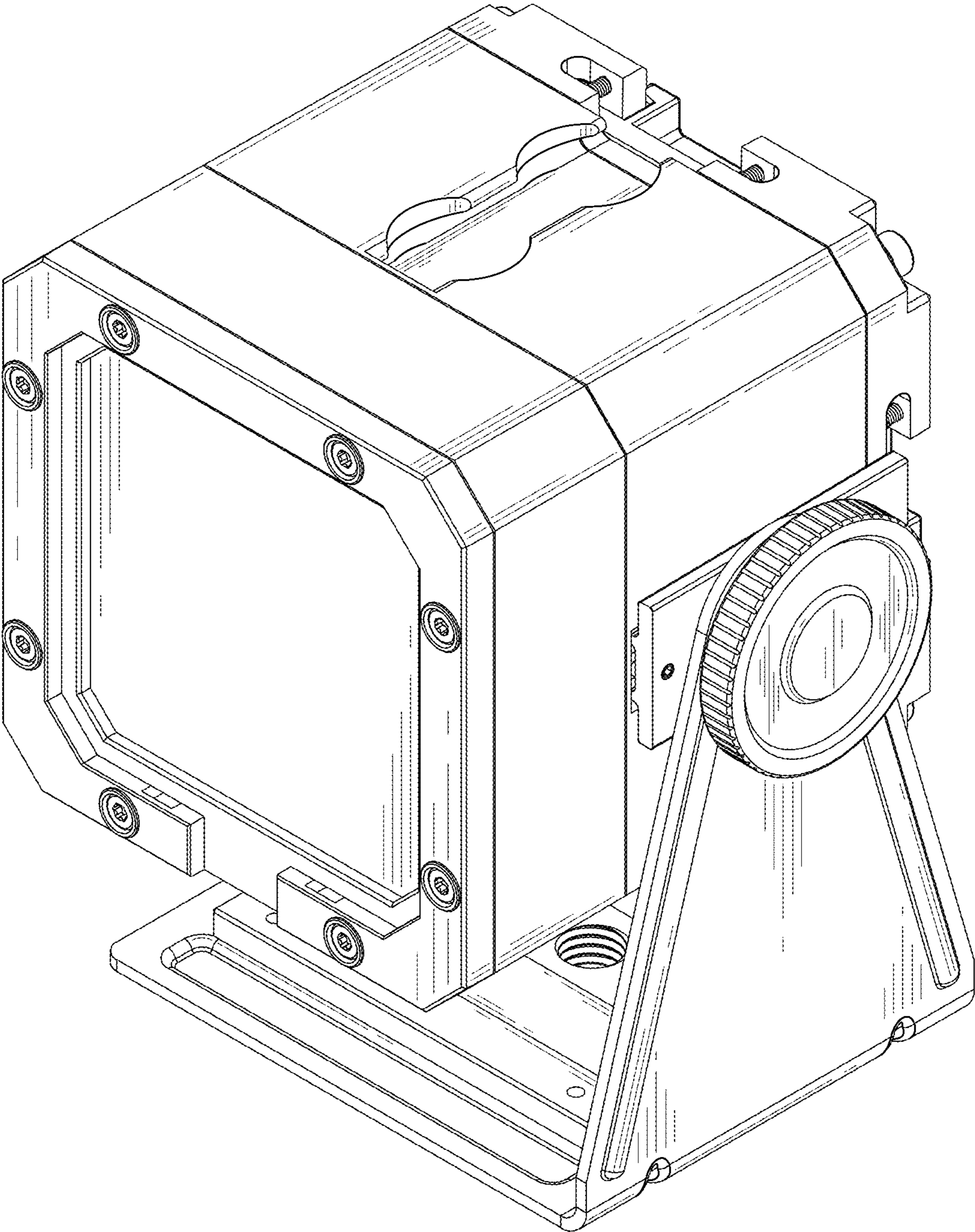


FIG. 1

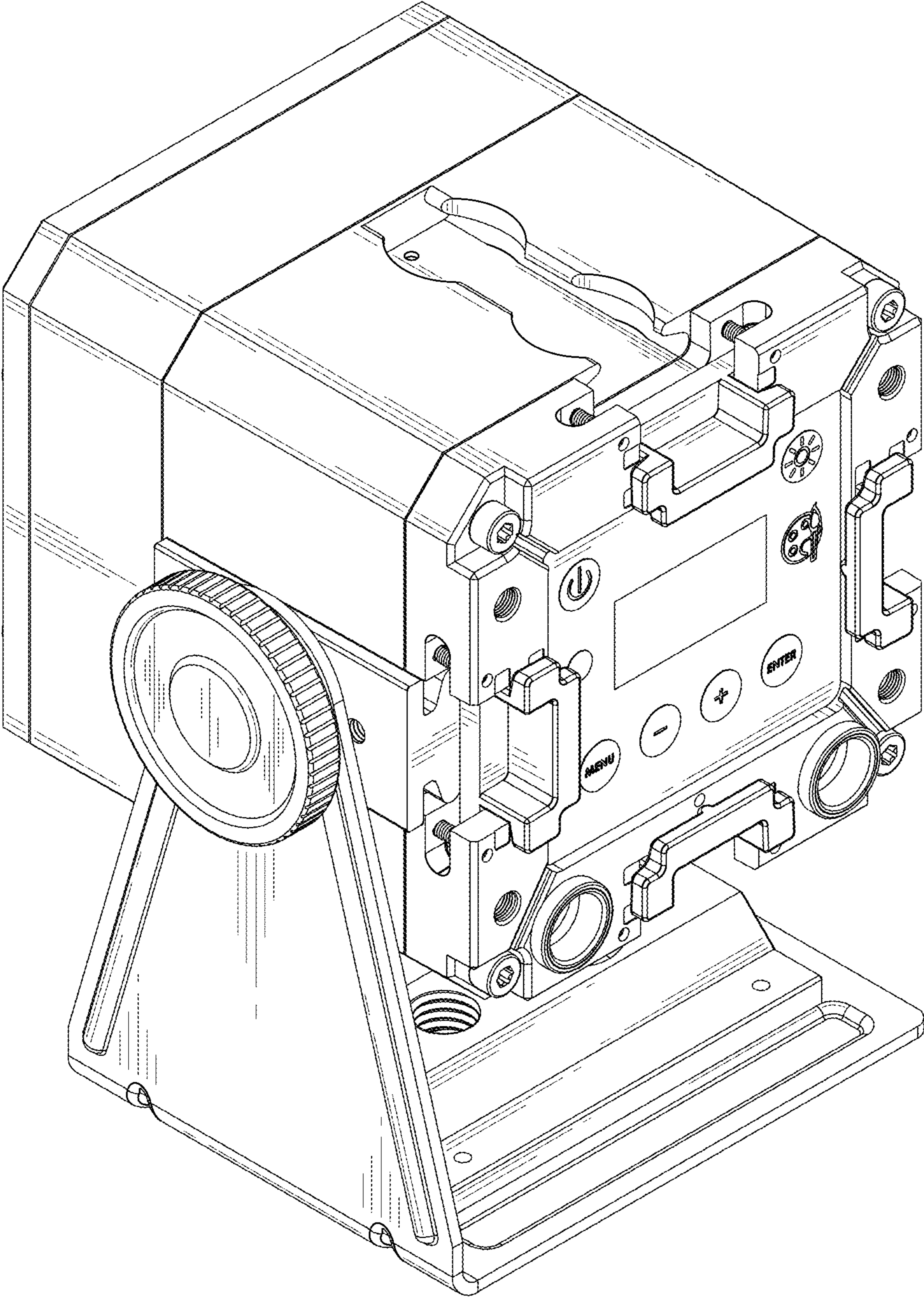


FIG. 2

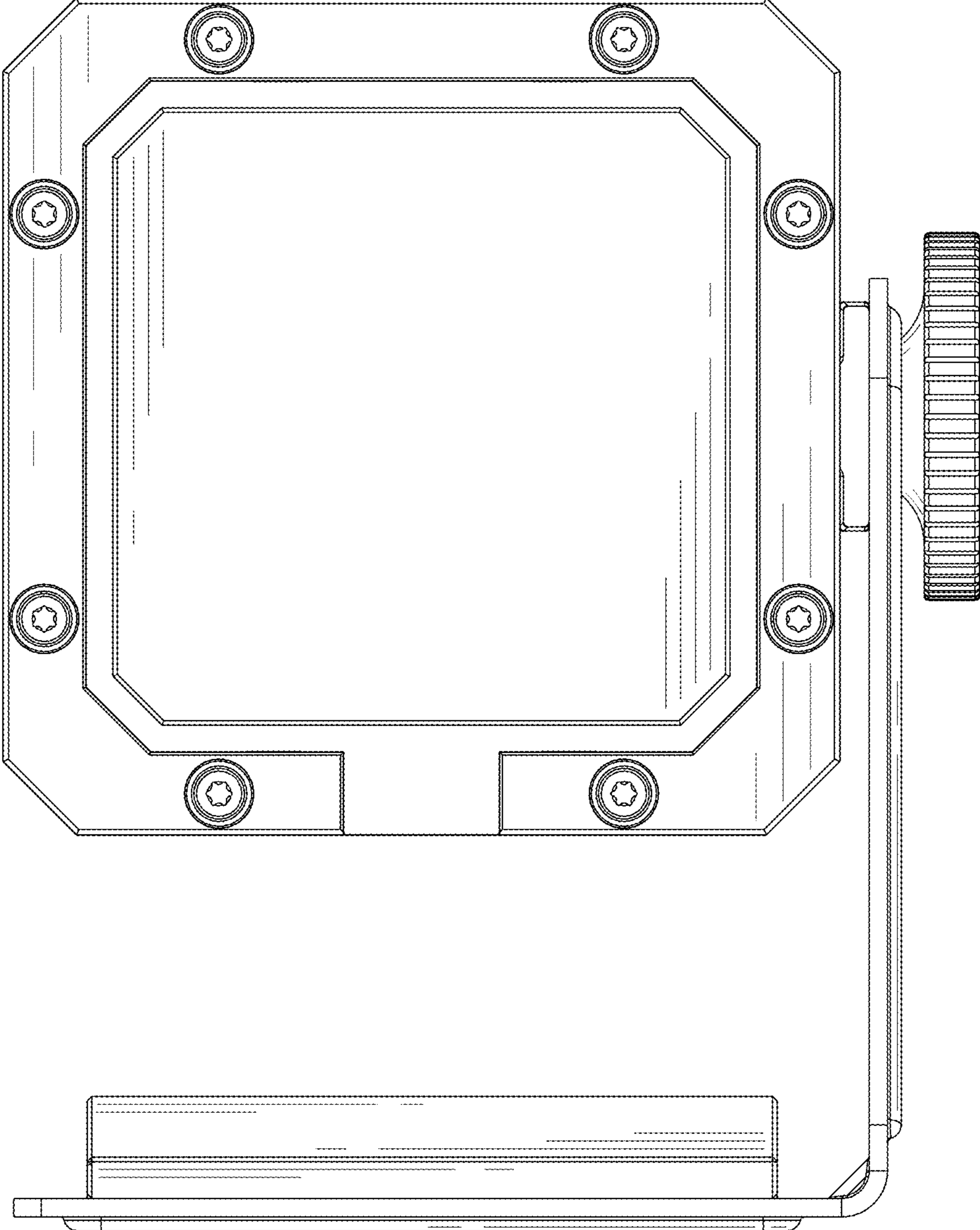


FIG. 3

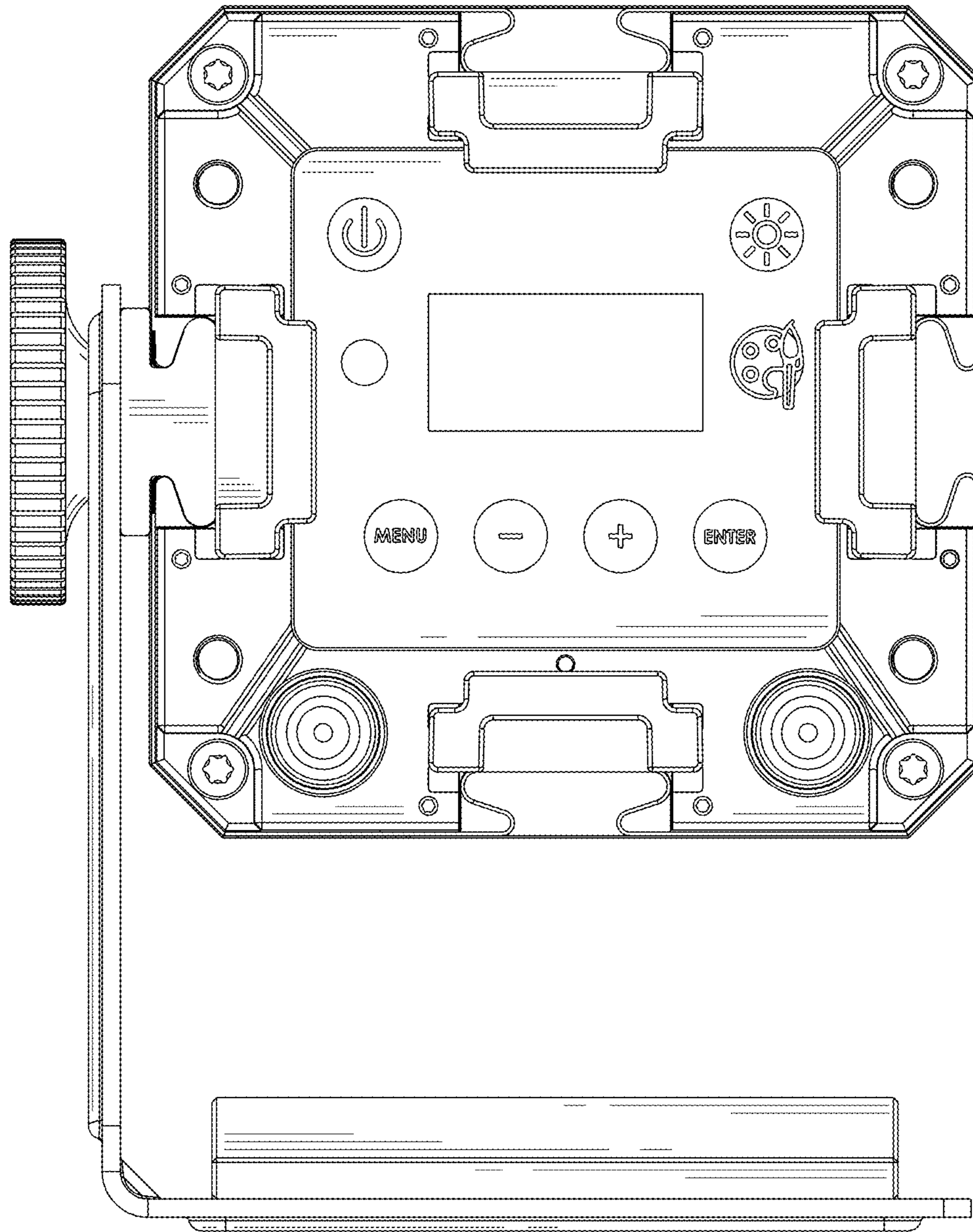


FIG. 4

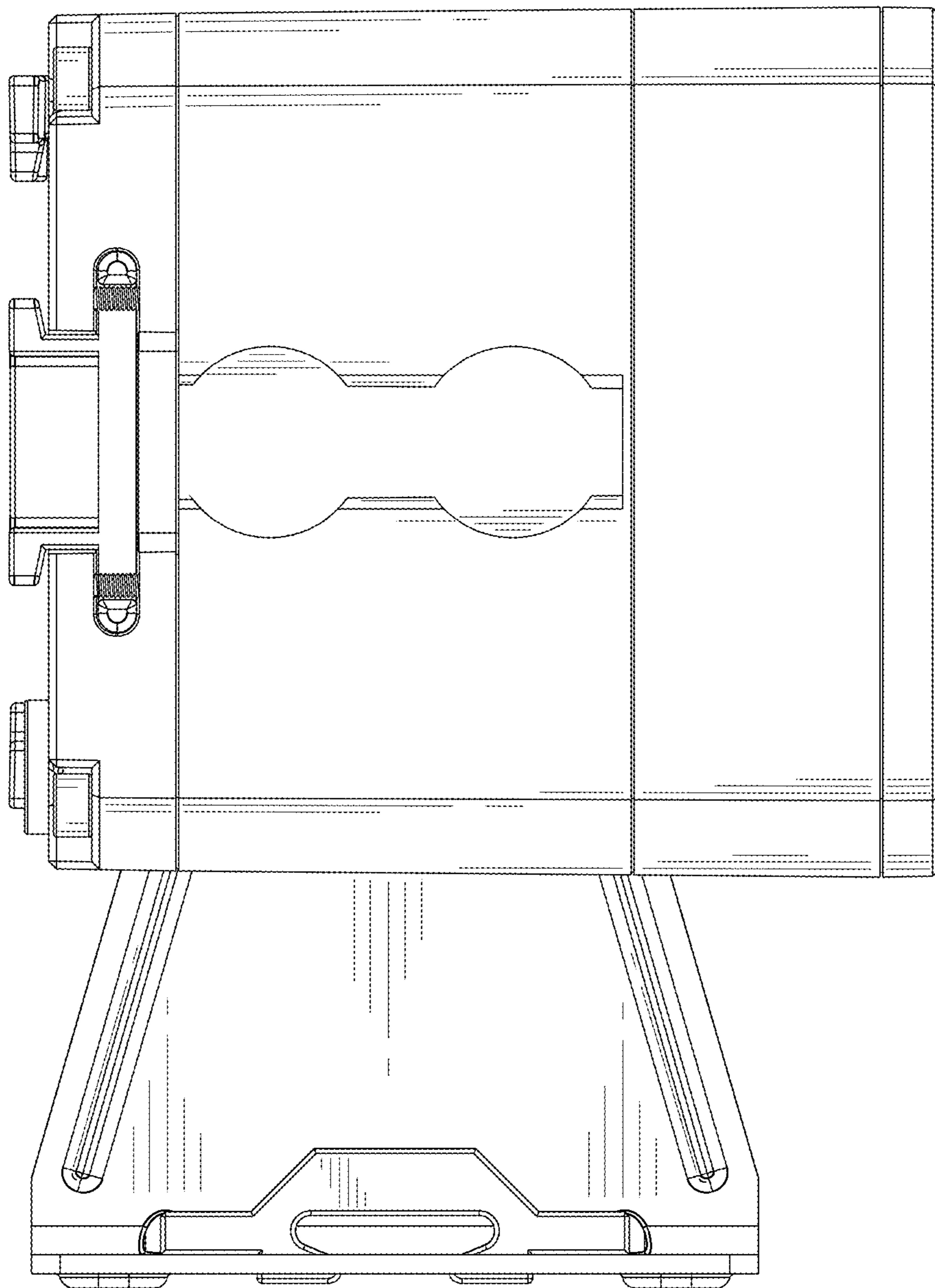


FIG. 5

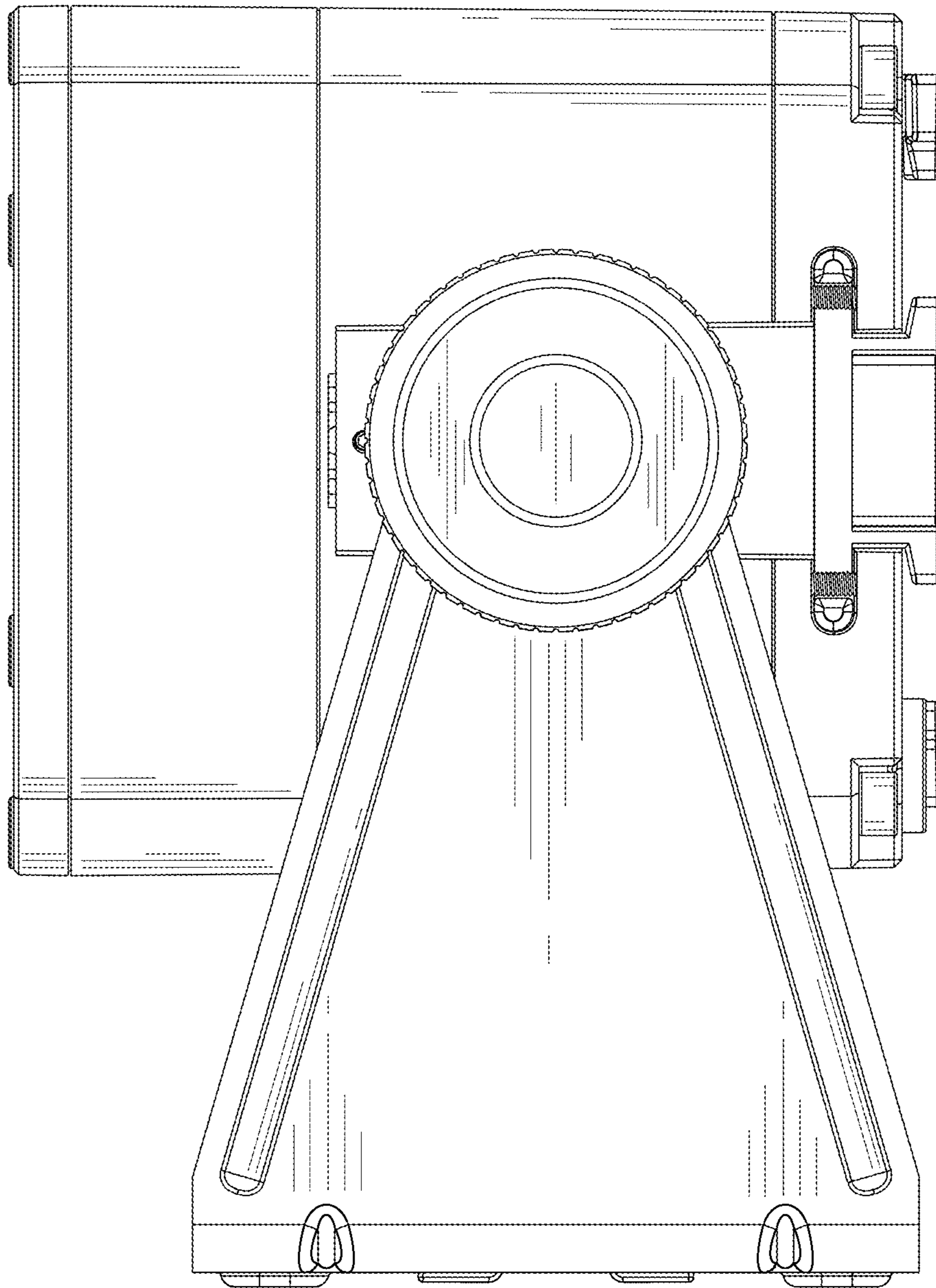


FIG. 6

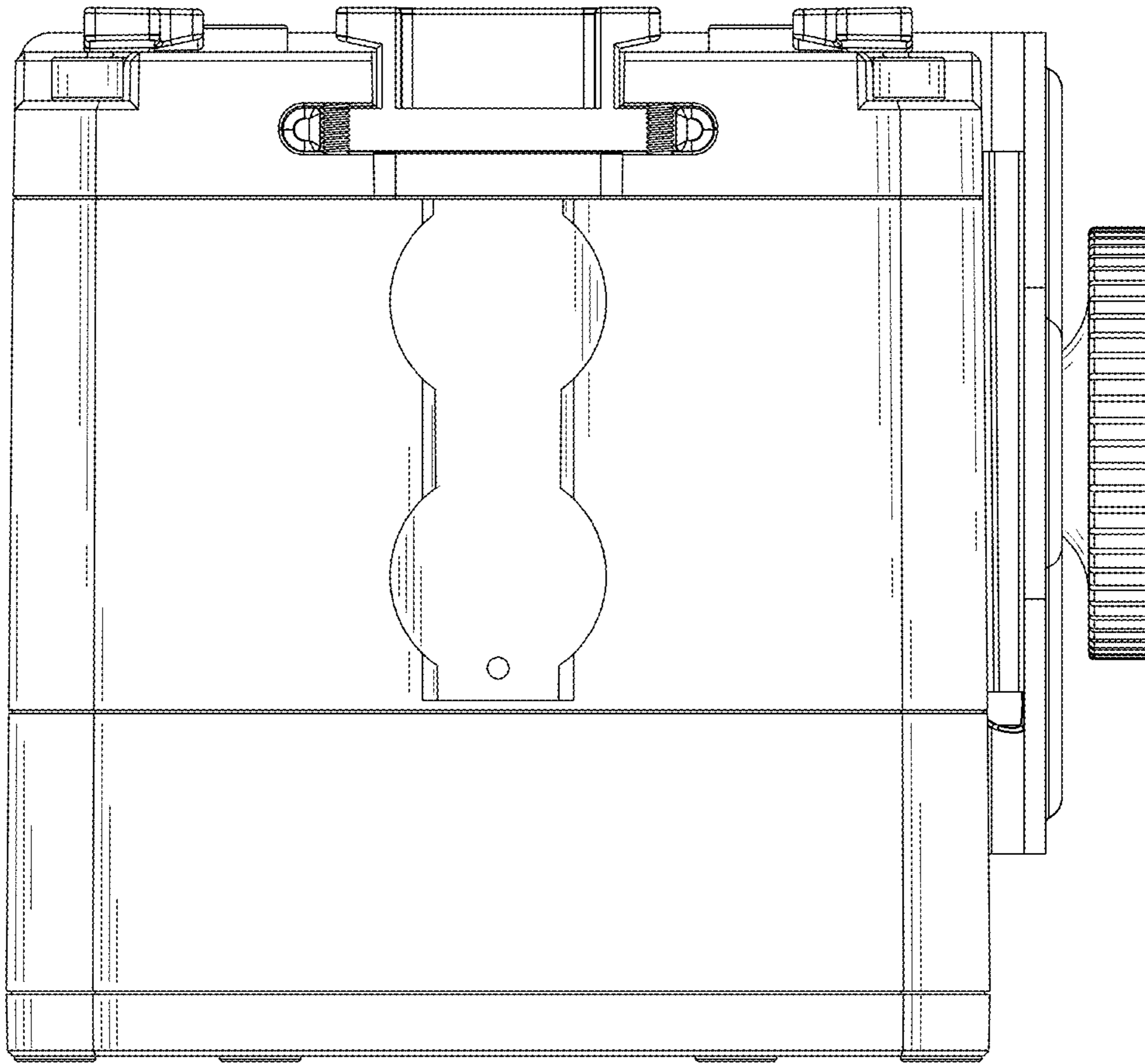


FIG. 7

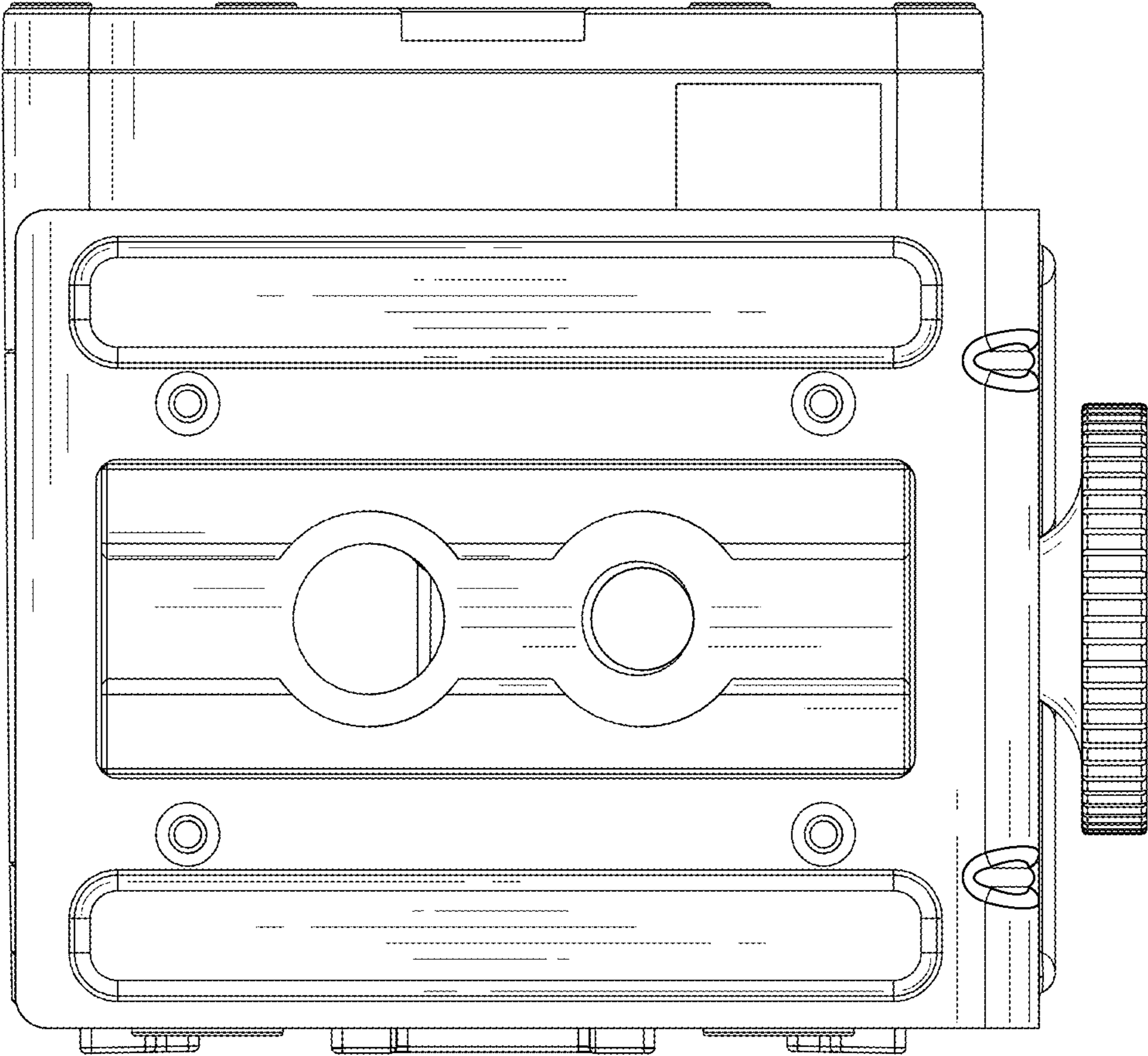


FIG. 8