



US00D980486S

(12) **United States Design Patent** (10) **Patent No.:** **US D980,486 S**
Li (45) **Date of Patent:** **** Mar. 7, 2023**

(54) **FLOOR LAMP WITH TABLE**

(71) Applicant: **He Li**, Maoming (CN)

(72) Inventor: **He Li**, Maoming (CN)

(**) Term: **15 Years**

(21) Appl. No.: **29/830,820**

(22) Filed: **Mar. 15, 2022**

(51) **LOC (14) Cl.** **26-05**

(52) **U.S. Cl.**
USPC **D26/58**

(58) **Field of Classification Search**
USPC ... D26/37-38, 41-44, 46, 51-52, 54, 57-58,
D26/61-63, 56-66, 93-96, 104-109
CPC F21S 6/00; F21S 6/002; F21S 6/003; F21S
6/005; F21S 6/007; F21S 6/008; F21V
21/06; F21V 21/108; F21V 21/26
See application file for complete search history.

(56) **References Cited**

U.S. PATENT DOCUMENTS

D80,420 S *	1/1930	Lauria	D26/65
D131,625 S *	3/1942	Wright	D6/673
D170,616 S *	10/1953	Yarger	D26/58
D189,258 S *	11/1960	Squier	D26/65
D250,362 S *	11/1978	Williams	D26/58
D312,007 S *	11/1990	Kee	D26/58
D313,706 S *	1/1991	Yau Kee	D26/58
D348,113 S *	6/1994	Swanson	
D369,425 S *	4/1996	Swanson	D26/102
D371,449 S *	7/1996	Huang	
D403,456 S *	12/1998	Huang	D26/108

(Continued)

FOREIGN PATENT DOCUMENTS

CN	201748254 U *	2/2011
CN	207880536 U *	9/2018

(Continued)

OTHER PUBLICATIONS

“Lite Source LS-81746PS,” Nov. 25, 2010, amazon.com, site visited Sep. 28, 2022, URL: <https://www.amazon.com/Lite-Source-LS-81746PS-WHT-Polished/dp/B004DU713U> (Year: 2010).*

(Continued)

Primary Examiner — Christy Nemeth

Assistant Examiner — Sarah L Smith

(74) *Attorney, Agent, or Firm* — Xiaofang Zhong

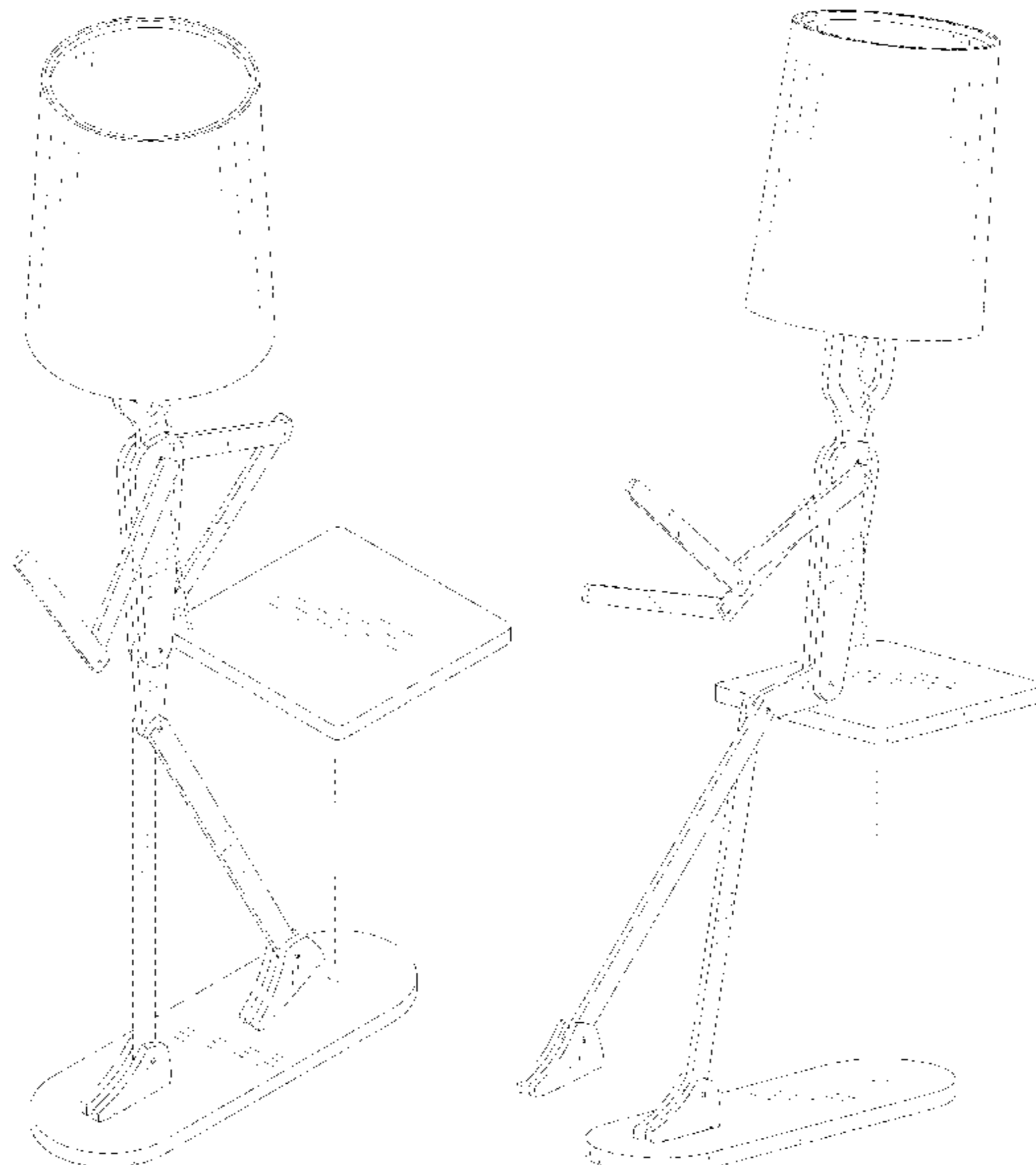
(57) **CLAIM**

The ornamental design for a floor lamp with table, as shown and described.

DESCRIPTION

FIG. 1 is a left side perspective view of a floor lamp with table of my new design, shown in a first configuration; FIG. 2 is a right side perspective view thereof; FIG. 3 is a right side perspective view of the floor lamp with table, shown in a second configuration; FIG. 4 is a left side perspective view of the floor lamp with table, shown in a third configuration; FIG. 5 is a front elevational view of the floor lamp with table, shown in the first configuration; FIG. 6 is a rear elevational view of the floor lamp with table, shown in the first configuration; FIG. 7 is a right side view of the floor lamp with table, shown in the first configuration; FIG. 8 is a left side view of the floor lamp with table, shown in the first configuration; FIG. 9 is a top plan view of the floor lamp with table, shown in the first configuration; and, FIG. 10 is a bottom plan view of the floor lamp with table, shown in the first configuration. The broken lines in the drawings depict portions of the floor lamp with table that form no part of the claimed design.

1 Claim, 10 Drawing Sheets



(56)

References Cited

U.S. PATENT DOCUMENTS

D423,705 S * 4/2000 Swanson D26/93
 D426,336 S 6/2000 Swanson
 D512,528 S * 12/2005 Lo D26/57
 D574,990 S * 8/2008 Tsai D26/107
 D671,256 S * 11/2012 McCoy D26/107
 D755,434 S * 5/2016 Martin D26/93
 D822,880 S * 7/2018 Hodgson D26/108
 D893,789 S * 8/2020 Ng D26/65
 D947,441 S * 3/2022 Pardo A47B 87/0246
 D26/107
 2006/0209548 A1* 9/2006 Cowan A47B 87/0246
 362/132

FOREIGN PATENT DOCUMENTS

CN 213065678 U * 4/2021
 CN 306689125 * 7/2021
 CN 307037320 * 12/2021
 CN 307109805 * 2/2022

OTHER PUBLICATIONS

“HROOME Wooden Floor Lamp,” Jun. 11, 2018, youtube.com, site visited Sep. 28, 2022, URL: <https://www.youtube.com/watch?v=Ss9ffhx7cWs> (Year: 2018).*

“HROOME Orange Floor Lamp,” Jul. 14, 2020, amazon.com, site visited Sep. 28, 2022, URL: <https://www.amazon.com/HROOME-Orange-Floor-Lamp-Table/dp/B08CXGR7P2> (Year: 2020).*

“Hroome,” May 17, 2021, facebook.com, site visited Sep. 28, 2022, URL: <https://www.facebook.com/1992838101032324/photos/pb.100045673612544.-2207520000..2843690119280447/?type=3> (Year: 2021).*

“LAMFURART Art Style Wooden Floor Lamp,” Oct. 9, 2021, amazon.com, site visited Sep. 29, 2022, URL: <https://www.amazon.com/LAMFURART-Creative-Humanoid-Changeable-Bedroom/dp/B0B8CVMLVX/> (Year: 2021).*

* cited by examiner

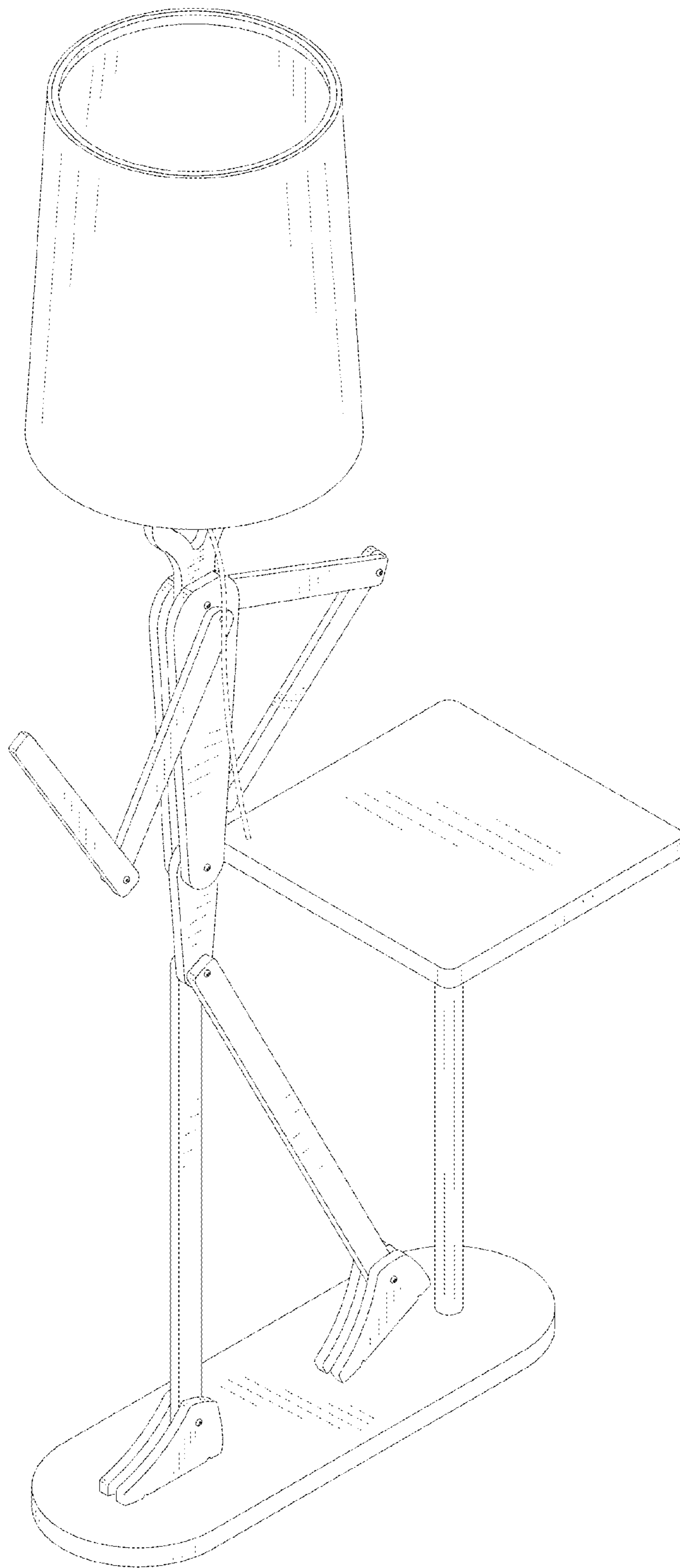


FIG. 1

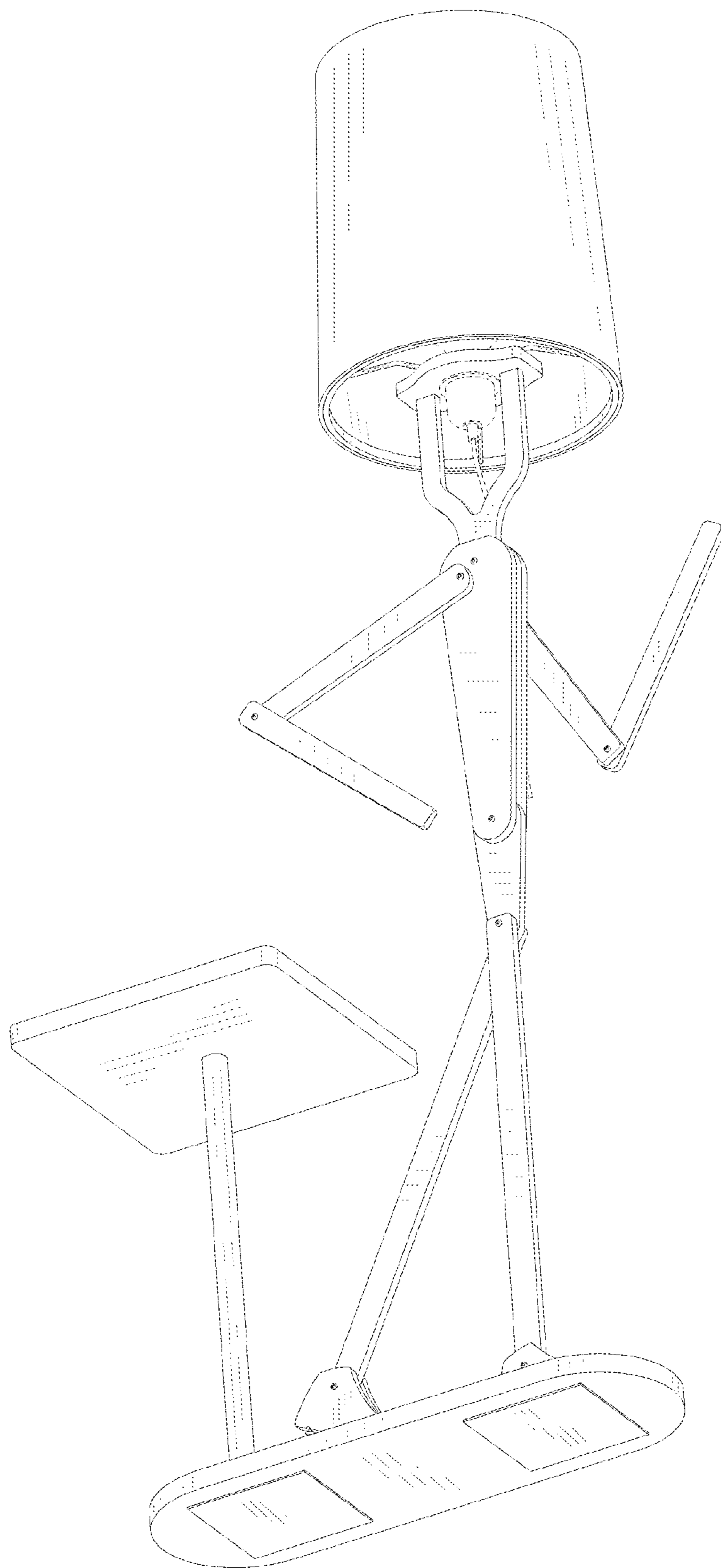


FIG. 2

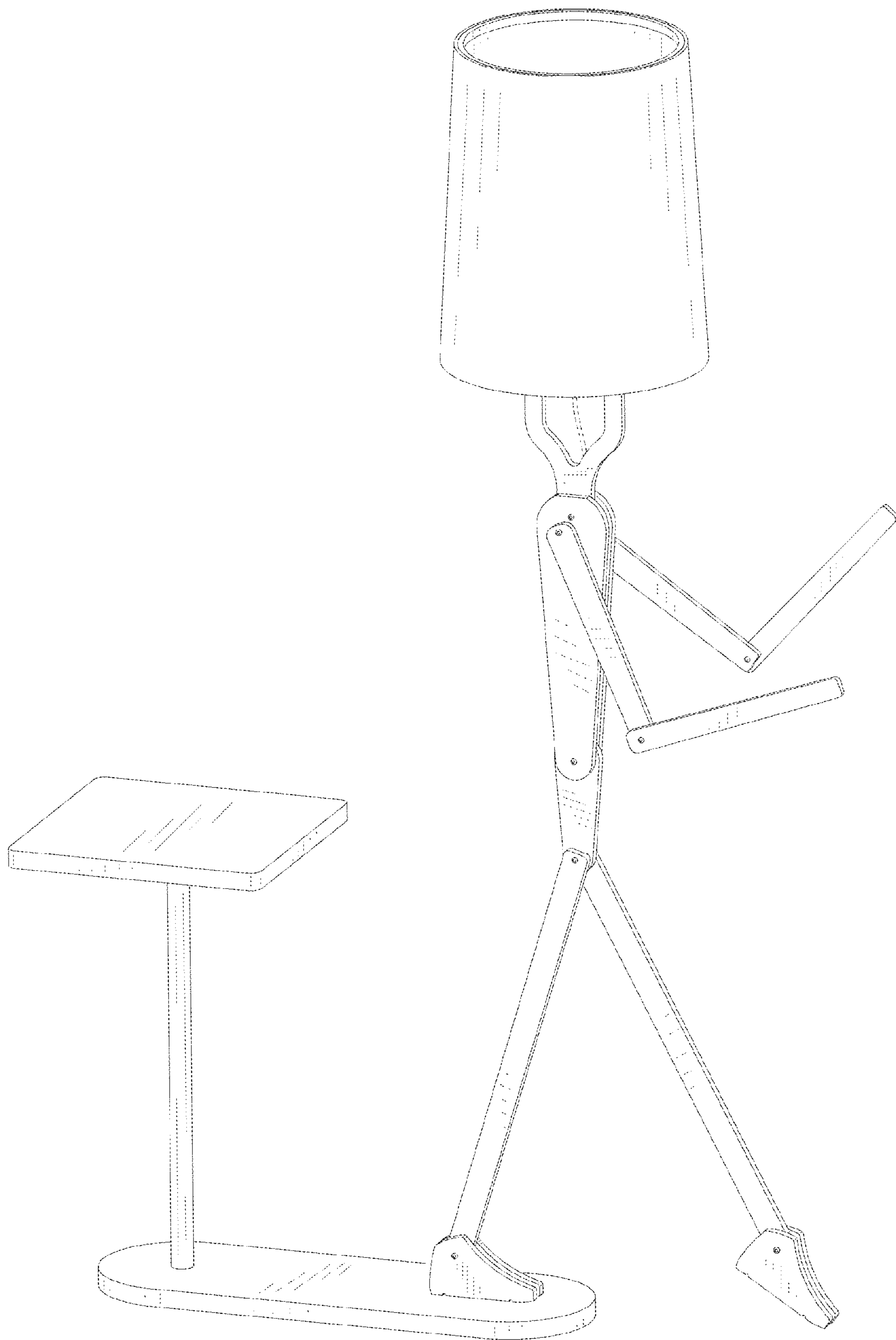


FIG. 3

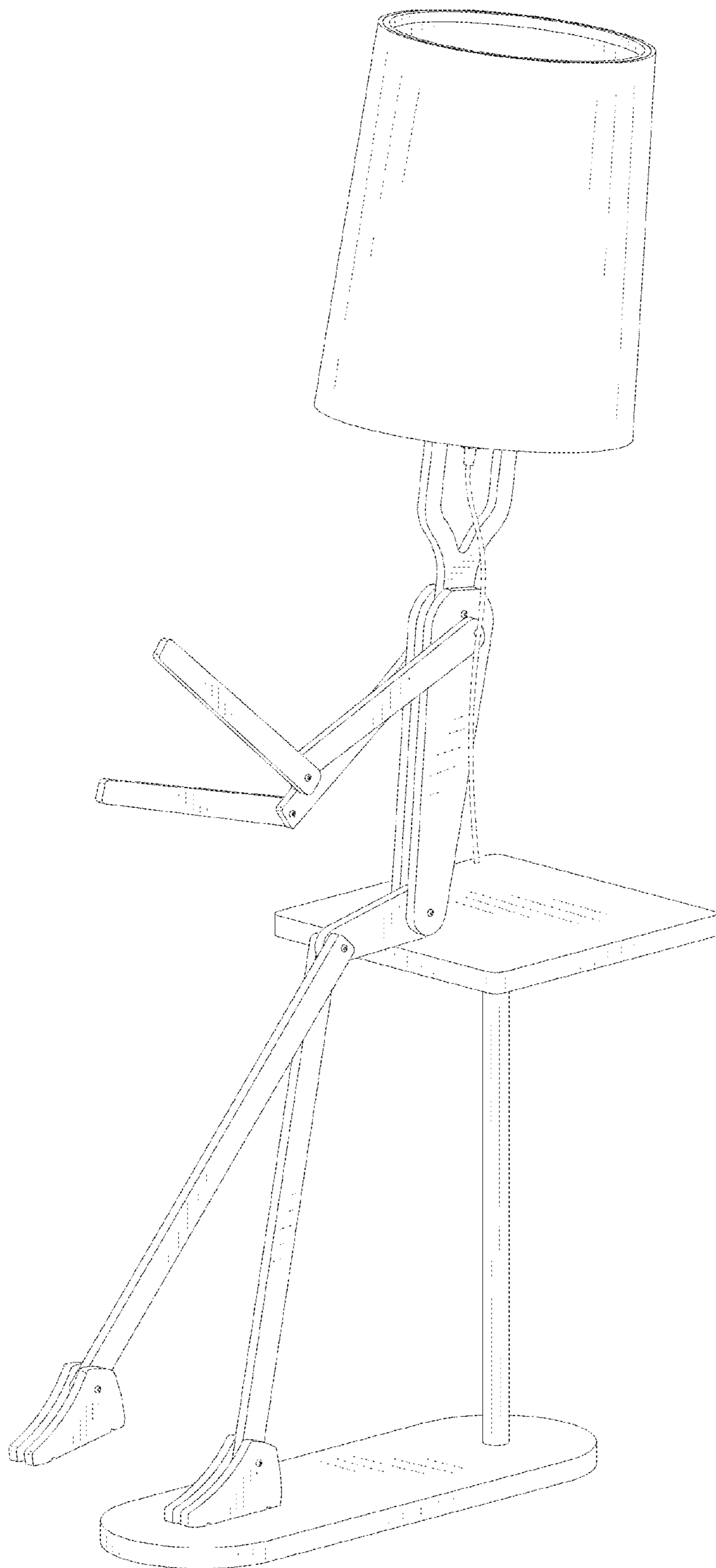


FIG. 4

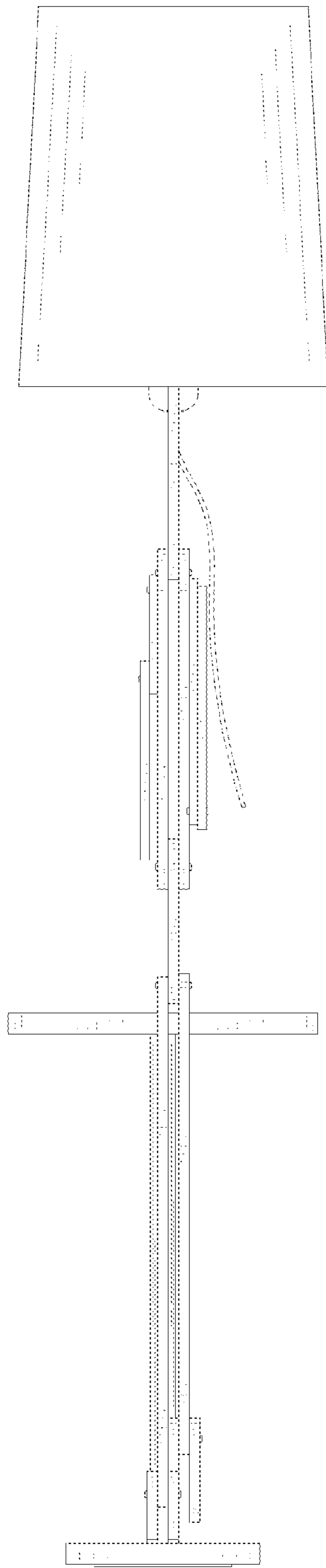


FIG. 5

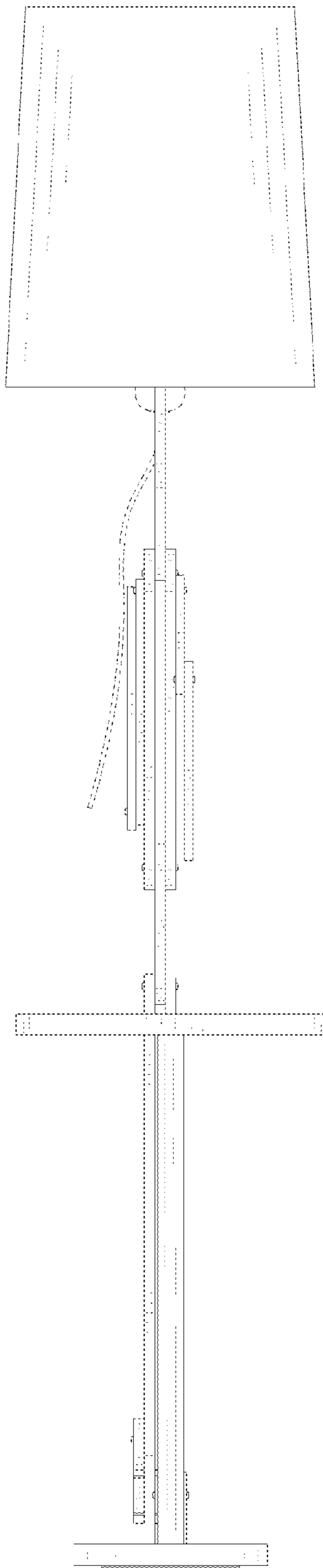


FIG. 5

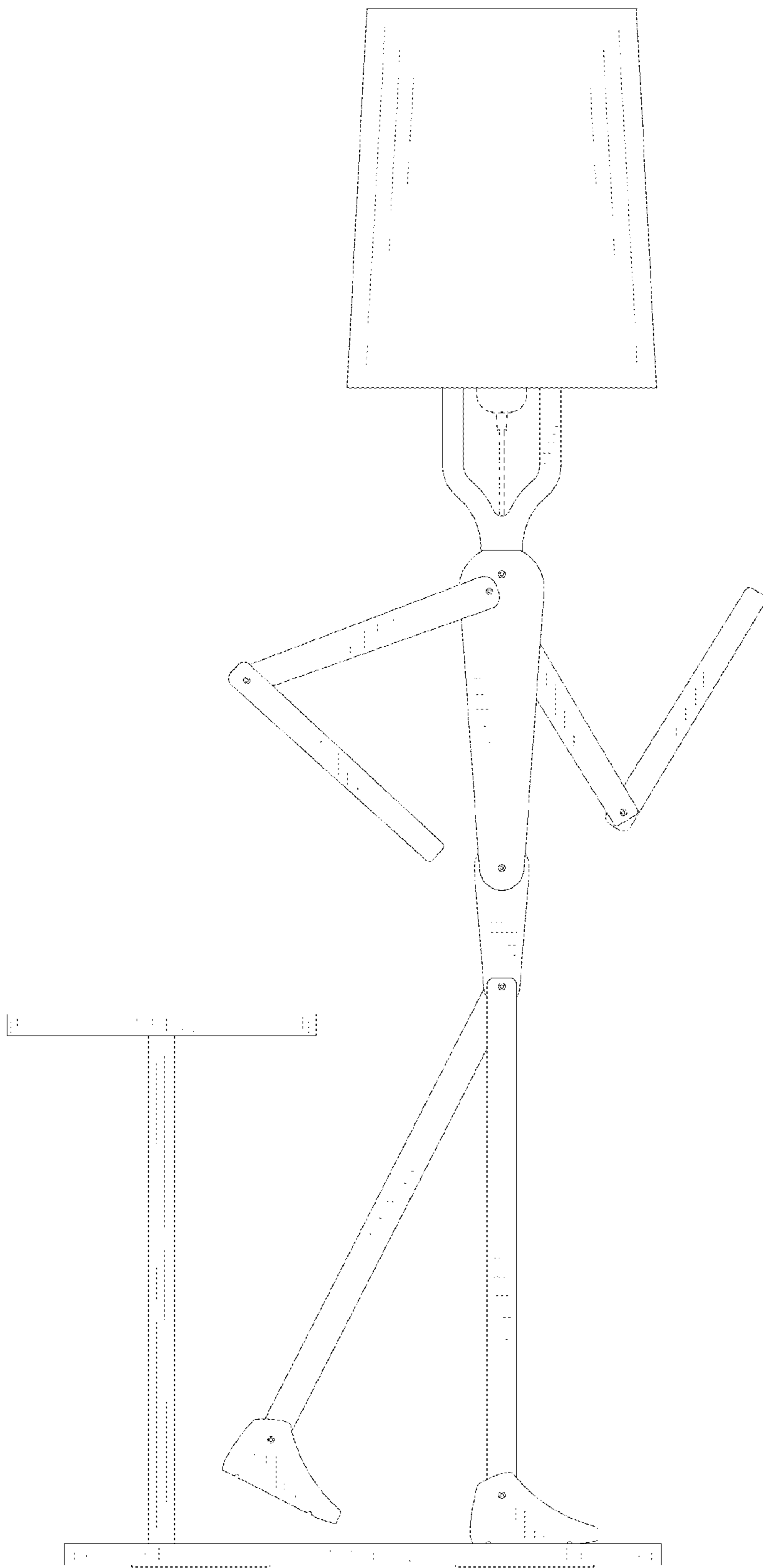


FIG. 7

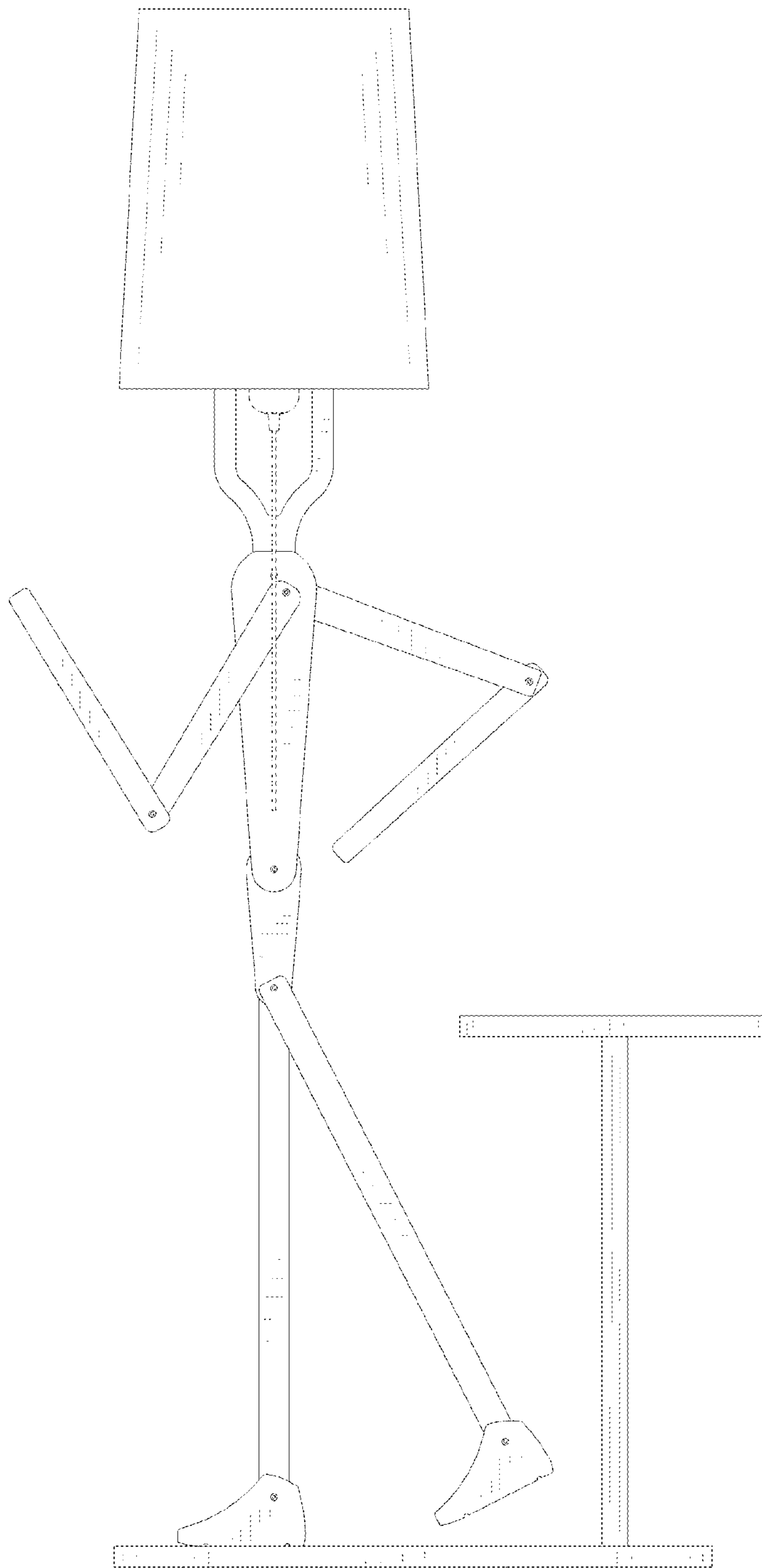


FIG. 8

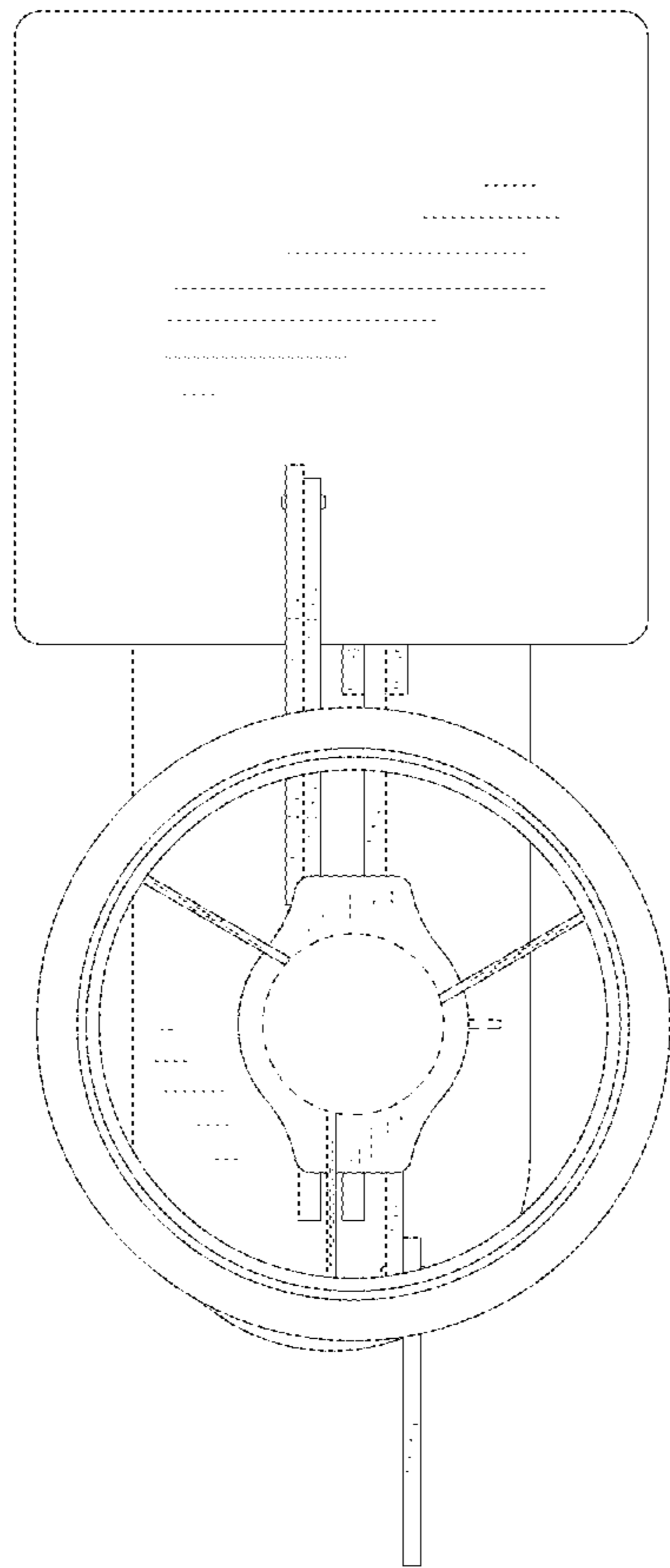


FIG. 9

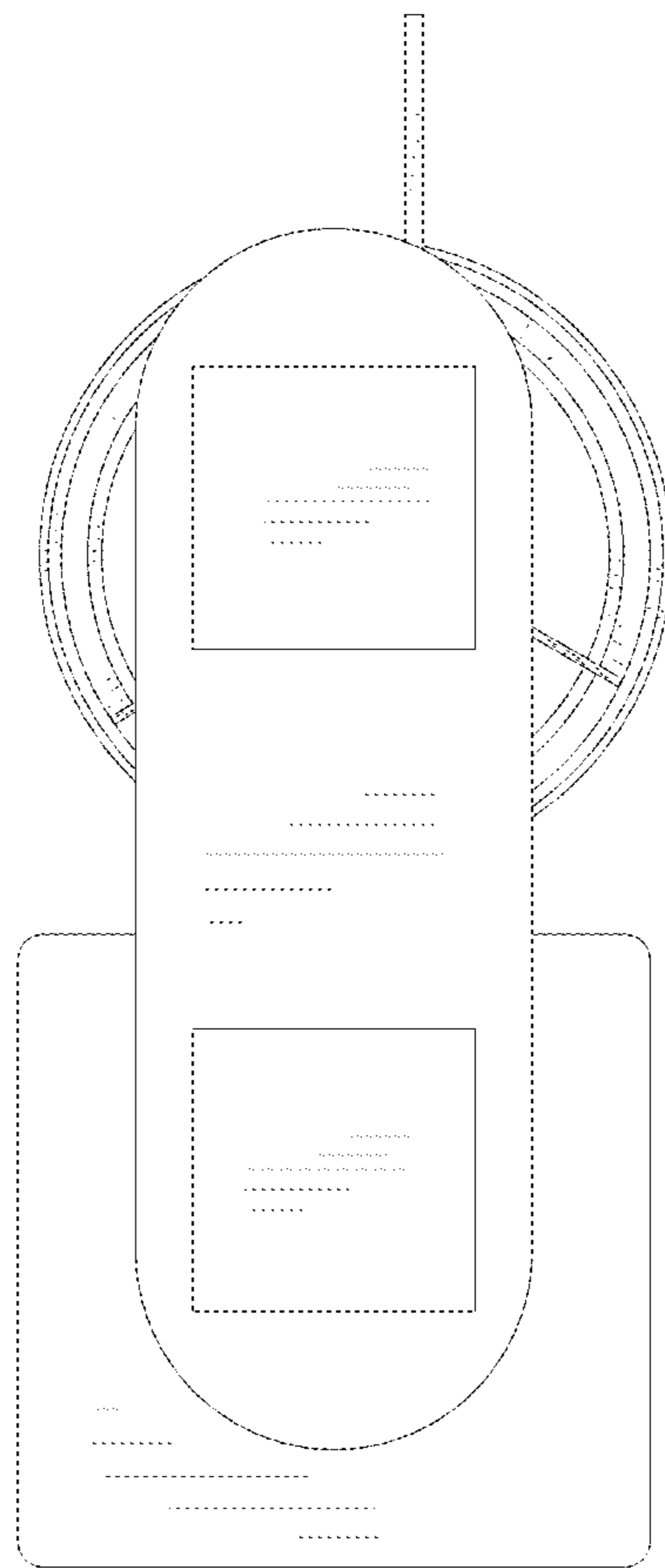


FIG. 10