



US00D980484S

(12) **United States Design Patent** (10) **Patent No.:** **US D980,484 S**
Lan (45) **Date of Patent:** **** Mar. 7, 2023**

(54) **LED FLASHLIGHT**
(71) Applicant: **Chaoyang Lan**, New York, NY (US)
(72) Inventor: **Chaoyang Lan**, New York, NY (US)
(**) Term: **15 Years**
(21) Appl. No.: **29/739,248**
(22) Filed: **Jun. 24, 2020**
(51) **LOC (14) Cl.** **26-02**
(52) **U.S. Cl.**
USPC **D26/49**
(58) **Field of Classification Search**
USPC D26/24, 37-51, 113
CPC F21Y 2115/10; F21Y 2113/13; F21Y 2101/00; F21Y 2103/10; F21Y 2017/40; F21Y 2105/10; F21Y 2105/18; F21Y 2113/00; F21Y 2113/10; F21Y 2113/17; F21Y 2113/20; F21L 4/005; F21L 4/027; F21L 4/085; F21L 4/08; F21L 4/045; F21L 4/00; F21L 4/02; F21L 4/022; F21L 4/04; F21L 4/025; F21L 13/00; F21L 14/02; F21L 2/00; F21V 23/0414; F21V 23/0428; F21V 23/0421; F21V 21/0965; F21V 15/01; F21V 21/0885; F21V 21/406; F21V 23/0407; F21V 23/06; F21V 33/0064; F21V 33/0084; F21V 14/025; F21V 23/04; F21V 14/065; F21V 21/084; F21V 23/003; F21V 5/006; F21V 5/04; F21V 21/08; F21V 23/0435; F21V 23/0464; F21V 31/00; F21V 31/005; F21V 33/0076; F21V 33/008; F21V 7/0075; F21V 14/045; F21V 15/012; F21V 17/12; F21V 19/02; F21V 21/0816; F21V 21/0925; F21V 21/30; F21V 23/0471; F21V 3/00; F21V 13/045; F21V 17/10; F21V 21/096; F21V 21/145; F21V 23/023; F21V 23/0442; F21V 29/70; F21V 33/0068; F21V 9/083; F21V 9/20; F21V 11/08; F21V

(Continued)

(56) **References Cited**
U.S. PATENT DOCUMENTS
D488,877 S 4/2004 Shin
D495,077 S * 8/2004 Chau D26/49
(Continued)

FOREIGN PATENT DOCUMENTS
CN 202030560404.2 * 2/2021
CN 202030812759.6 * 7/2021

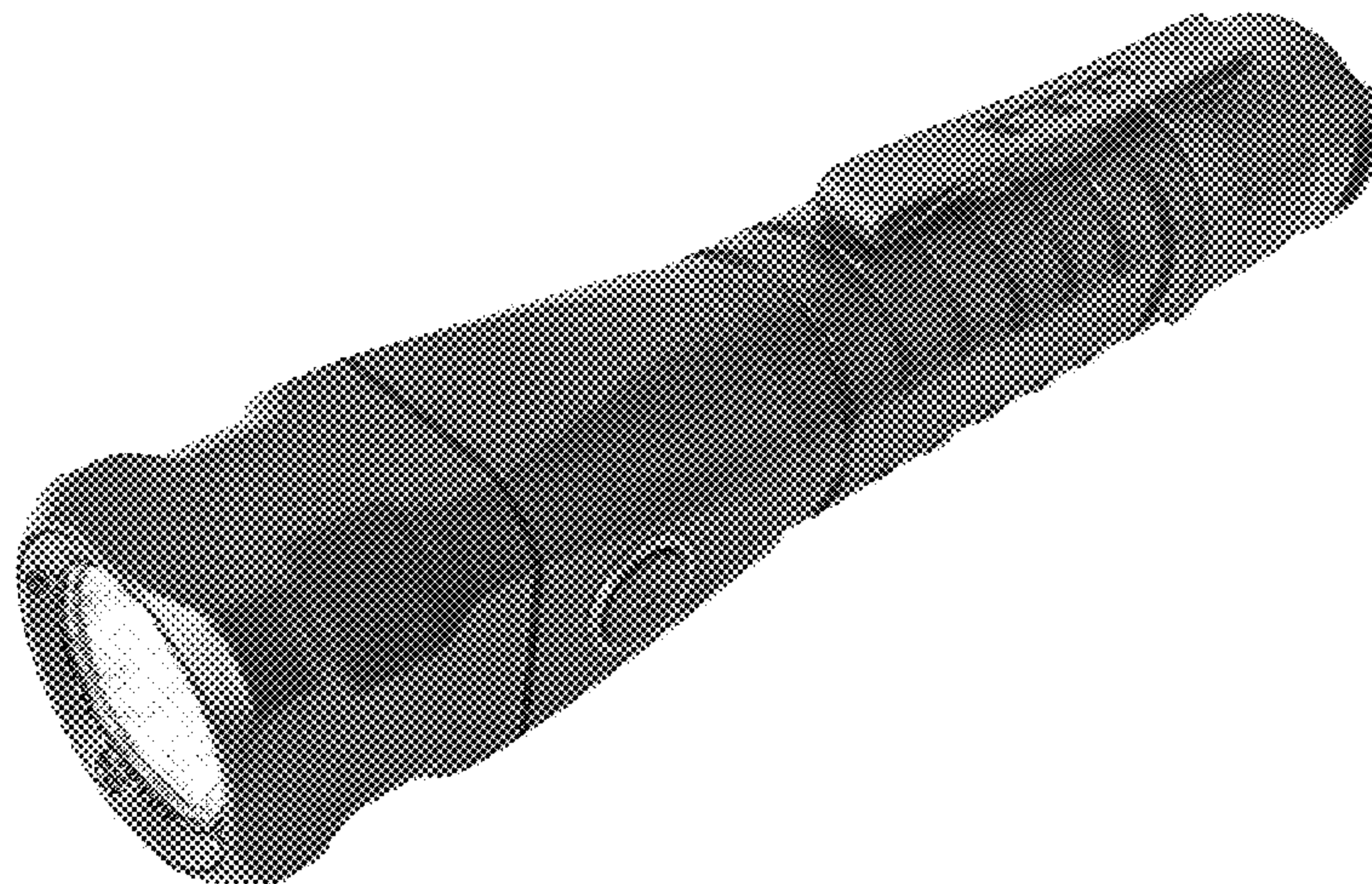
OTHER PUBLICATIONS
Sharvol Rechargeable Tactical LED Flashlight. By Sharvol. Dated Jun. 10, 2020. Found online [Nov. 15, 2021]. <https://www.amazon.com/Sharvol-Rechargeable-Tactical-Flashlight-Holster/dp/B089Y5566Z> (Year: 2020).*
(Continued)

Primary Examiner — Marissa J Cash
Assistant Examiner — William B Melliar
(74) *Attorney, Agent, or Firm* — Legalforce RAPC Worldwide

(57) **CLAIM**
The ornamental design for a LED flashlight, as shown and described.

DESCRIPTION
FIG. 1 is a front top right-side perspective view for a LED flashlight, showing my new design;
FIG. 2 is a front elevational view of FIG. 1 thereof;
FIG. 3 is a rear elevational view of FIG. 1 thereof;
FIG. 4 is a left side elevational view of FIG. 1 thereof;
FIG. 5 is a right side elevational view of FIG. 1 thereof;
FIG. 6 is a top plan view of FIG. 1 thereof; and,
FIG. 7 is a bottom plan view of FIG. 1 thereof.
The part of the photographs shown in a coarser dot pattern within the broken-line perimeter as well as the broken-line

(Continued)



perimeter itself, illustrates a portion of the LED flashlight that forms no part of the claimed design.

1 Claim, 7 Drawing Sheets

(58) Field of Classification Search

CPC 13/14; F21V 14/04; F21V 14/06; F21V 14/085; F21V 15/00; F21V 17/002; F21V 17/02; F21V 17/06; F21V 17/105; F21V 17/107; F21V 19/001; F21V 19/047; F21V 21/00; F21V 21/002; F21V 21/06; F21V 21/14; F21V 21/22; F21V 21/26; F21V 21/32; F21V 23/001; F21V 23/002; F21V 23/005; F21V 23/02; F21V 23/045; F21V 23/0492; F21V 25/04; F21V 29/15; F21V 29/503; F21V 29/508; F21V 29/713; F21V 29/763; F21V 29/767; F21V 29/89; F21V 29/90; F21V 33/00; F21V 33/0004; F21V 33/0036; F21V 33/0052; F21V 3/02; F21V 5/00; F21V 5/008; F21V 5/046; F21V 5/048; F21V 5/08; F21V 7/00; F21V 7/0008; F21V 7/0083; F21V 7/0091; F21V 7/04; F21V 7/041; F21V 7/06; F21V 7/22; F21V 7/24; F41G 1/35; F41G 11/003; F41G 1/34; F41G 1/345; F41G 11/001; F41G 1/36; F41G 3/2655; B25F 1/04

See application file for complete search history.

(56) References Cited

U.S. PATENT DOCUMENTS

D525,733 S * 7/2006 Shiao D26/37
 D557,838 S * 12/2007 Shiu D26/37
 D566,309 S * 4/2008 Kornfeld D26/37

D593,241 S 5/2009 Wiesmeth et al.
 D595,439 S 6/2009 Haight et al.
 D647,231 S 10/2011 Bertken
 D687,987 S 8/2013 Ancona et al.
 D692,601 S 10/2013 Kamm
 D692,602 S 10/2013 Kamm
 D703,852 S 4/2014 Kamm
 D745,987 S * 12/2015 Nawaz D26/38
 D767,186 S 9/2016 Shiu
 D770,071 S * 10/2016 Windom D26/49
 D804,696 S 12/2017 Cheng et al.
 D811,637 S 2/2018 Feustel et al.
 D816,251 S * 4/2018 Johnson D26/49
 D833,051 S 11/2018 Qiu
 D878,651 S * 3/2020 Qiu D26/49
 D882,138 S * 4/2020 Bao D26/49
 D897,579 S * 9/2020 Le D26/37
 D899,648 S * 10/2020 Qiu D26/49
 D900,368 S * 10/2020 Petrucelli D26/49

OTHER PUBLICATIONS

Olight Archer 1000 Lumens Handheld Flashlight. By Olight. Dated Oct. 25, 2021. Found online [Nov. 15, 2021]. <https://www.amazon.com/OLIGHT-Flashlight-Projector-Grade-Waterproof-Rechargeable/dp/B09FNSDPKX> (Year: 2021).*

US Trademark Serial No. 88949220; Mark—Sharvol Filing date: Jun. 5, 2020 Publication date: Oct. 20, 2020.

“Tactical Rechargeable Flashlight” by Sharvol, Found Online on [Sep. 22, 2020] https://cdn.shopify.com/s/files/1/0102/3148/0371/products/1_1024x1024.png?v=1596885884.

“C6 V2 LED Flashlight” by Fenix, Found Online on [Jun. 15, 2020] https://cdn.shopify.com/s/files/1/0546/1309/products/Fenix_C6-min_1.png?v=1592909194.

“360x3 Tactical Rechargeable LED”, by Klarus, Found Online on [Jul. 24, 2020] https://sep.yimg.com/ca/l/theshorelinemarket_2617_235935154.

“Flashlight LED Tactical Torch”, by Skywolfeye, Found Online on [Jul. 24, 2020] <https://i.ebayimg.com/images/g/2R4AAOSwJ-xclFRL/s-11600.jpg>.

* cited by examiner



FIG. 1

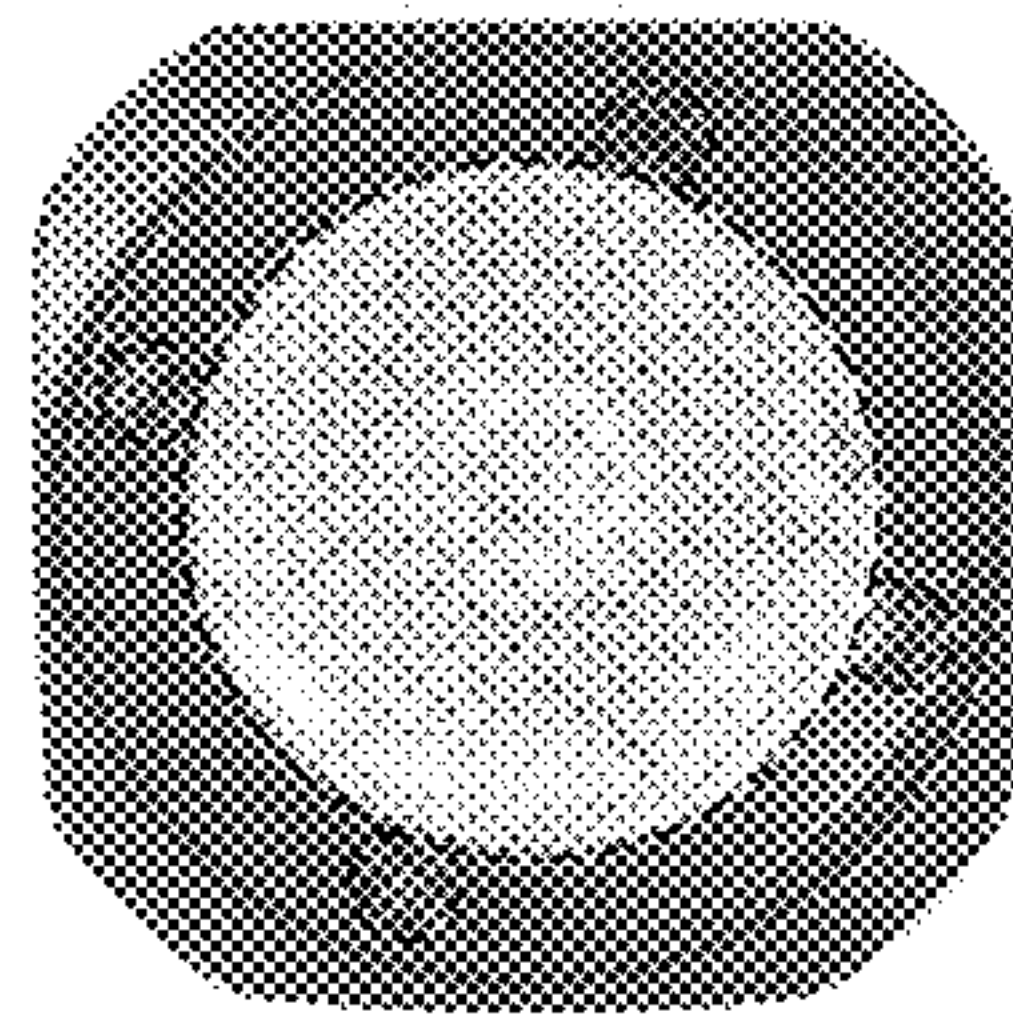


FIG. 2

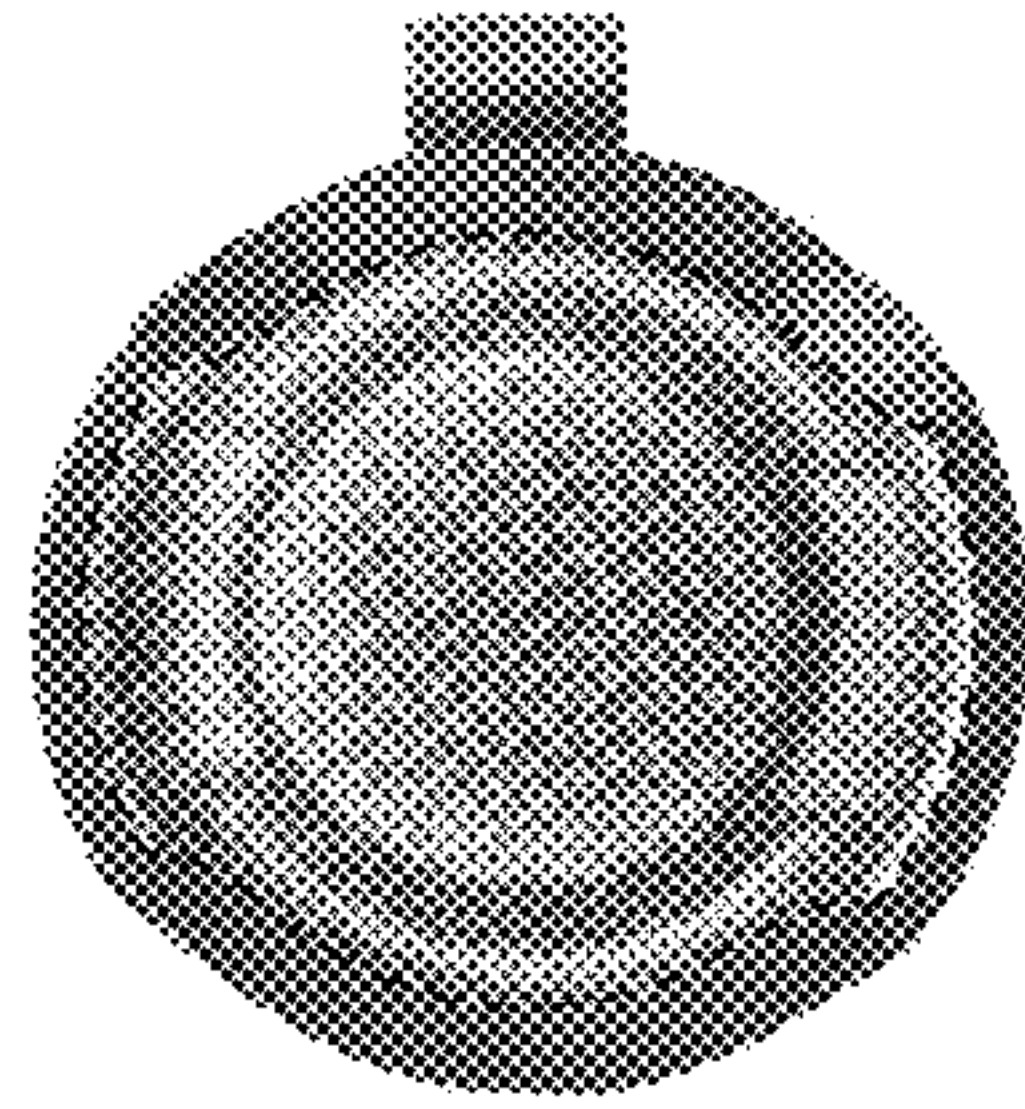


FIG. 3

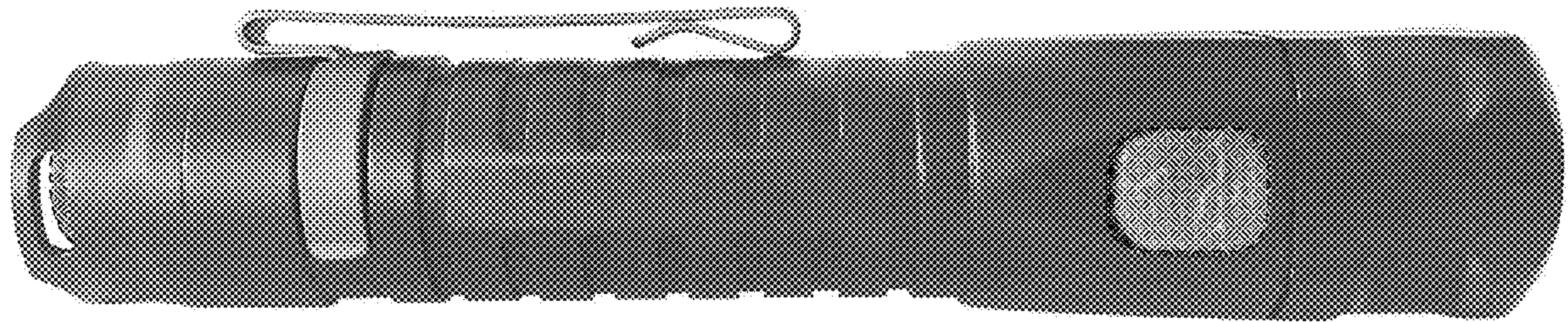


FIG. 4



FIG. 5

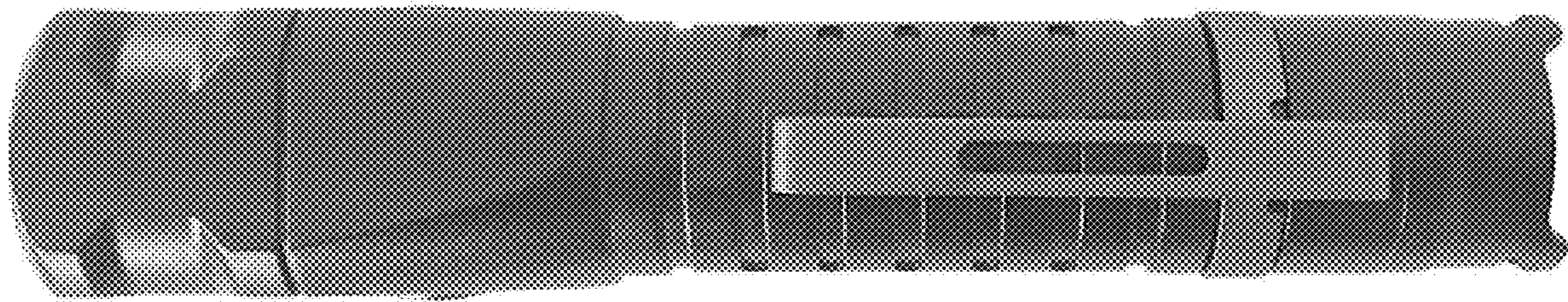


FIG. 6



FIG. 7