



US00D980482S

(12) **United States Design Patent**
Wu

(10) **Patent No.:** **US D980,482 S**
(45) **Date of Patent:** **** Mar. 7, 2023**

(54) **RECHARGEABLE SPOTLIGHT**
(71) Applicant: **Yongsen Wu**, Foshan (CN)
(72) Inventor: **Yongsen Wu**, Foshan (CN)
(73) Assignee: **Yongsen Wu**, Foshan (CN)
(**) Term: **15 Years**

D545,470 S * 6/2007 Devany D26/46
D605,797 S * 12/2009 Baker D26/48
D611,631 S * 3/2010 Hsu D26/45
D616,580 S * 5/2010 Bertken D26/48
D629,939 S 12/2010 Yuen
(Continued)

(21) Appl. No.: **29/809,838**
(22) Filed: **Sep. 30, 2021**
(51) **LOC (14) Cl.** **26-02**
(52) **U.S. Cl.**
USPC **D26/46; D26/37**
(58) **Field of Classification Search**
USPC D26/8, 37-44, 46-52, 60-61;
D10/111-115
CPC . F21L 2001/00; F21L 4/02; F21L 4/04; F21L
4/005; F21L 4/022; F21L 4/045; F21L
4/085; F21L 21/00; F21L 14/02; F21L
14/023
See application file for complete search history.

FOREIGN PATENT DOCUMENTS

CN 306013981 * 8/2020
CN 306706437 * 7/2021

OTHER PUBLICATIONS

“CSNDICE 35W Rechargeable Handheld Flashlights,” Aug. 6, 2017, amazon.com, site visited Jul. 21, 2022, URL: <https://www.amazon.com/CSNDICE-Rechargeable-Searchlight-High-power-flashlights/dp/B074P5N3RG?th=1> (Year: 2017).*
(Continued)

Primary Examiner — Christy Nemeth
Assistant Examiner — Sarah L Smith
(74) *Attorney, Agent, or Firm* — Nitin Kaushik

(56) **References Cited**

U.S. PATENT DOCUMENTS

D173,423 S * 11/1954 Garland F21V 21/145
D26/44
D197,731 S * 3/1964 Ashe D26/48
3,124,306 A * 3/1964 Schotz F21L 2/00
D26/49
D199,540 S * 11/1964 Rhoades D26/37
D228,084 S * 8/1973 Beer D26/48
D360,043 S * 7/1995 Inukai D26/48
D376,863 S * 12/1996 Yuen D26/48
D378,090 S * 2/1997 Yuen D26/38
D389,258 S * 1/1998 Reynolds D26/37
D389,594 S * 1/1998 Poon D26/48
D399,581 S * 10/1998 Giese D26/46
D446,326 S * 8/2001 Yeun D26/48
D514,724 S * 2/2006 Yuen D26/46
D531,336 S 10/2006 Yuen

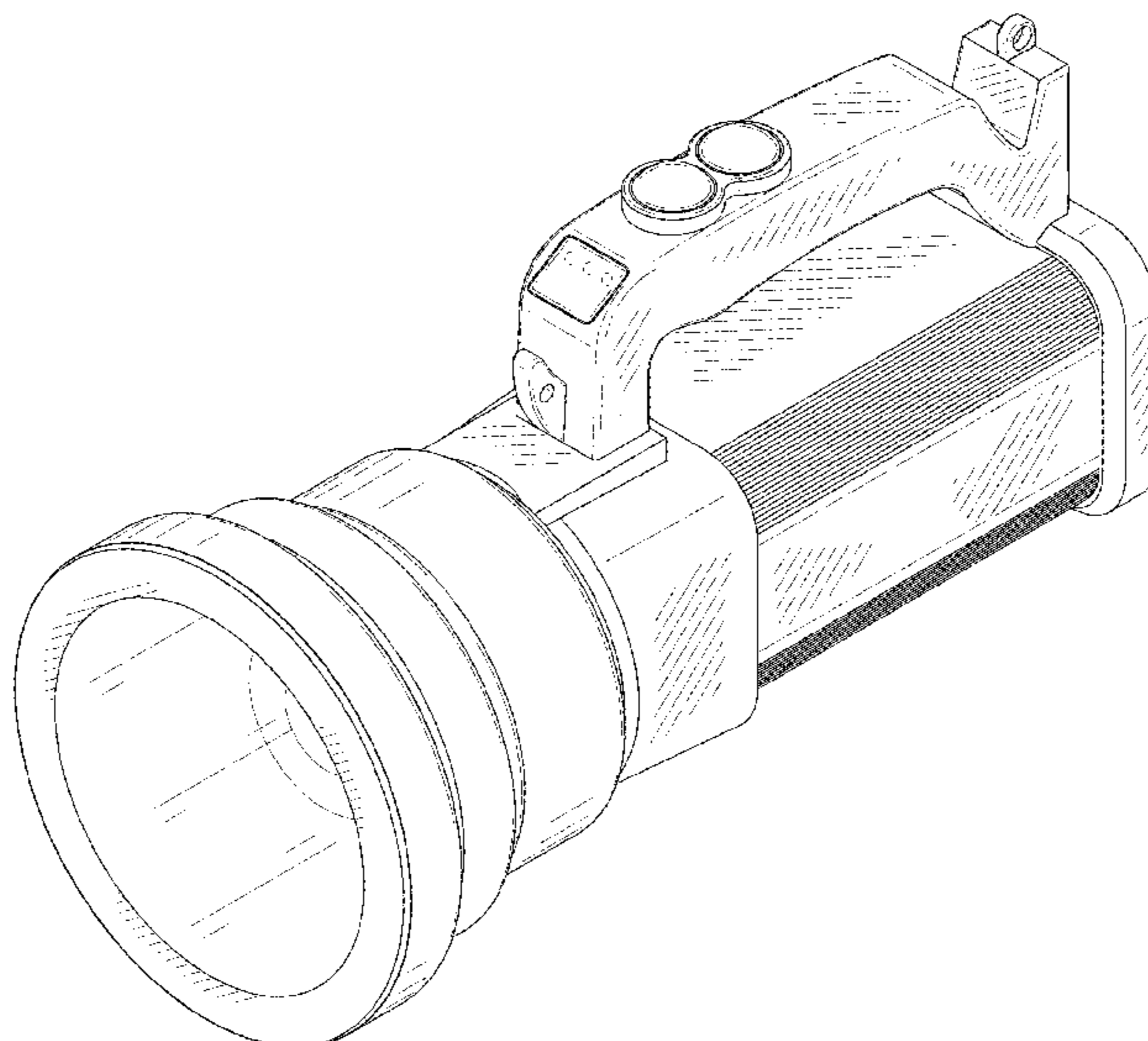
(57) **CLAIM**

The ornamental design for a rechargeable spotlight, substantially as shown and described.

DESCRIPTION

FIG. 1 is a top, front and right side perspective view of a rechargeable spotlight, showing my new design; FIG. 2 is a front elevational view thereof; FIG. 3 is a rear elevational view thereof; FIG. 4 is a left side elevational view thereof; FIG. 5 is a right side elevational view thereof; FIG. 6 is a top plan view thereof; and, FIG. 7 is a bottom plan view thereof. The broken lines in the drawings illustrate the portions of the rechargeable spotlight which form no part of the claimed design.

1 Claim, 7 Drawing Sheets



(56)

References Cited

U.S. PATENT DOCUMENTS

D641,513 S * 7/2011 Wang D26/48
D649,274 S * 11/2011 Bertken D26/41
D713,078 S * 9/2014 Shen F21L 2/00
D26/41
D748,308 S 1/2016 Zhang
D752,793 S 3/2016 Ng
D797,335 S 9/2017 Brown et al.
2013/0250560 A1* 9/2013 Lau F21V 21/145
362/184

OTHER PUBLICATIONS

“Streamlight 45680 Rechargeable Portable Scene Light,” Jul. 12, 2019, amazon.com, site visited Jul. 21, 2022, URL: <https://www.amazon.com/Streamlight-STL45680-Portable-Scene-Light/dp/B07V4T7BTM?th=1> (Year: 2019).*

“High Power Super Bright Flashlight,” Oct. 27, 2020, amazon.com, site visited Jul. 21, 2022, URL: <https://www.amazon.com/Flashlight-Portable-Spotlight-Rechargeable-Searchlight/dp/B08L3CQ32X> (Year: 2020).*

“कसिान टॉर्च बैटरी's ’,” Oct. 13, 2020, facebook.com, site visited Jul. 21, 2022, URL: <https://www.facebook.com/media/set/?set=a.105009144719776&type=3> (Year: 2020).*

* cited by examiner

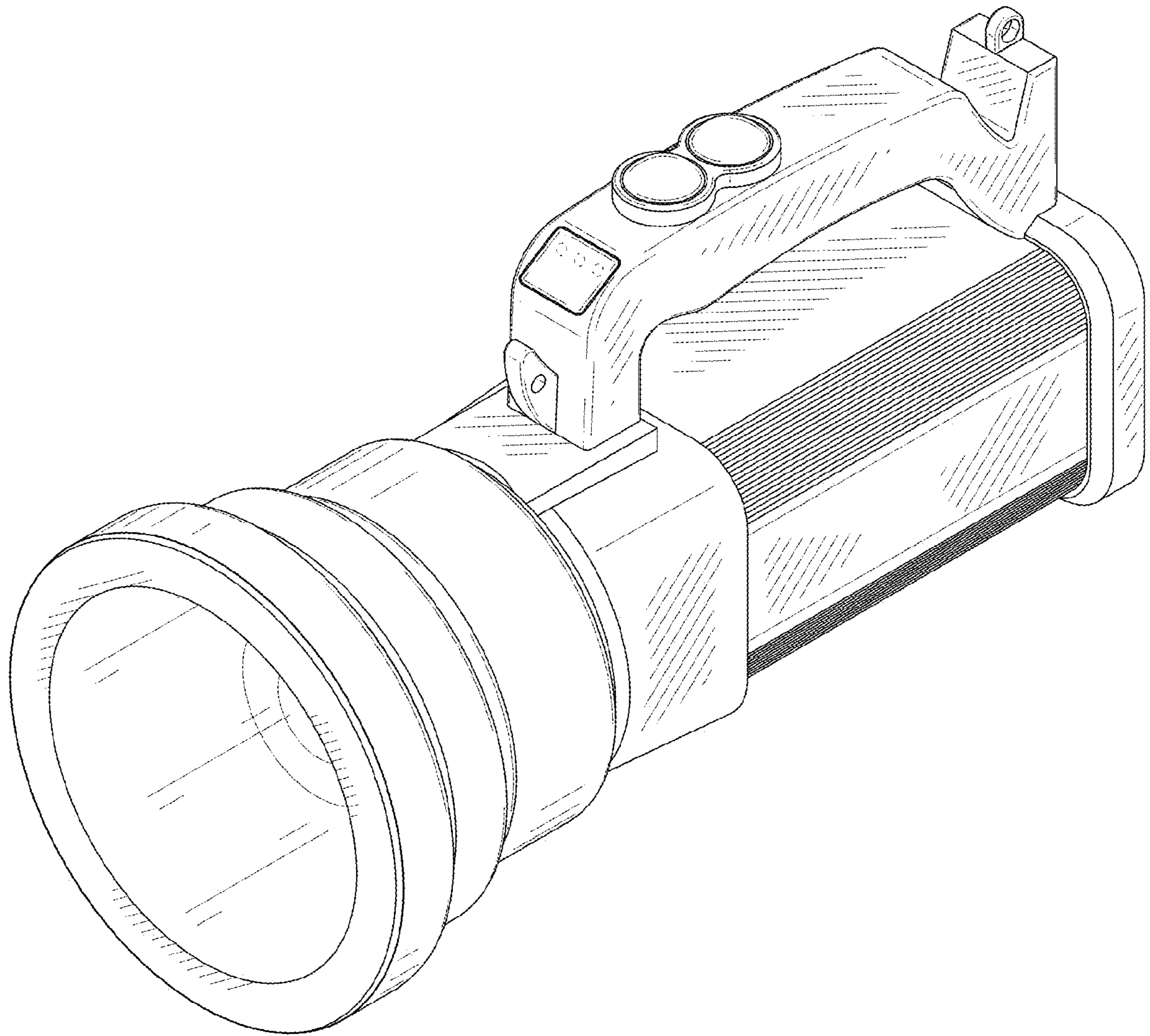


FIG. 1

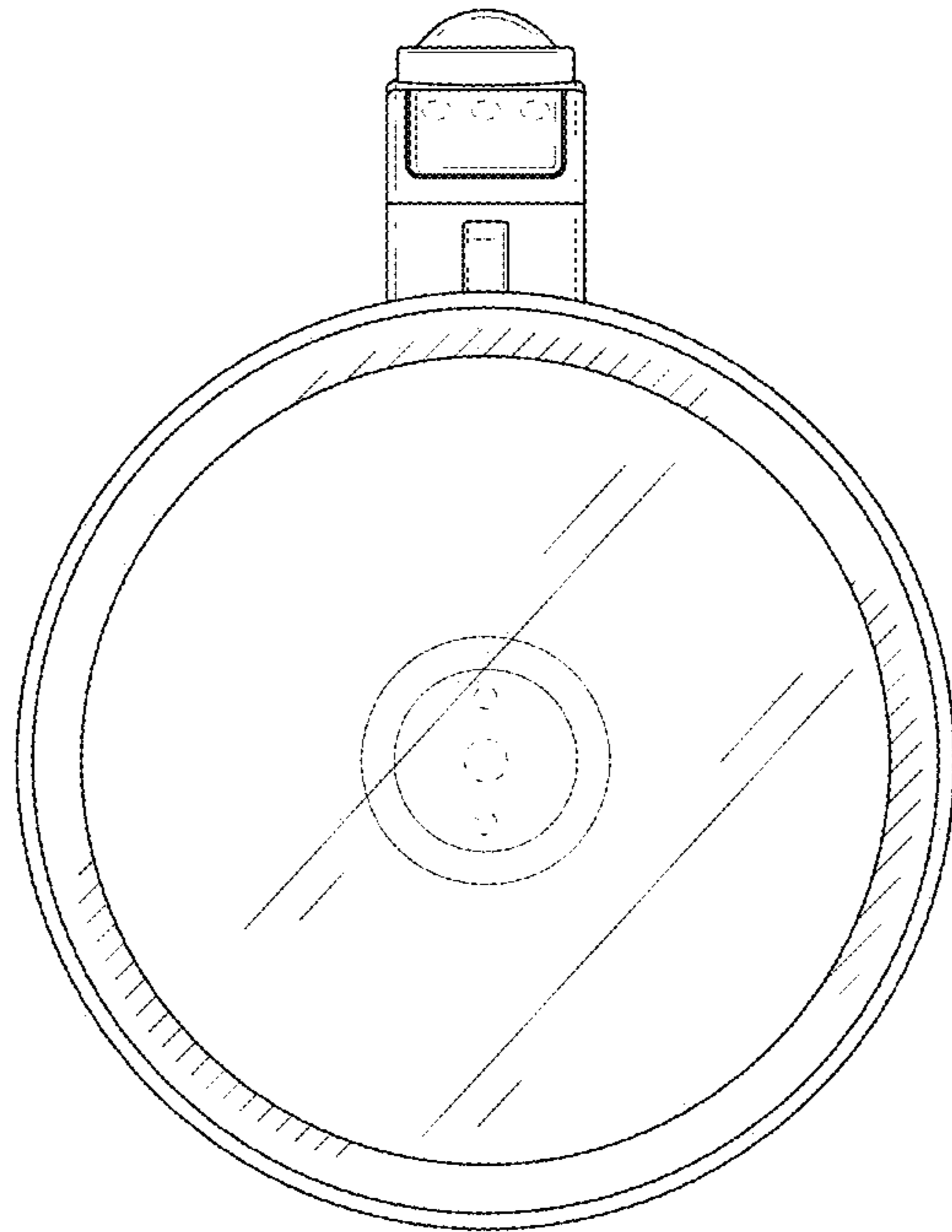


FIG. 2

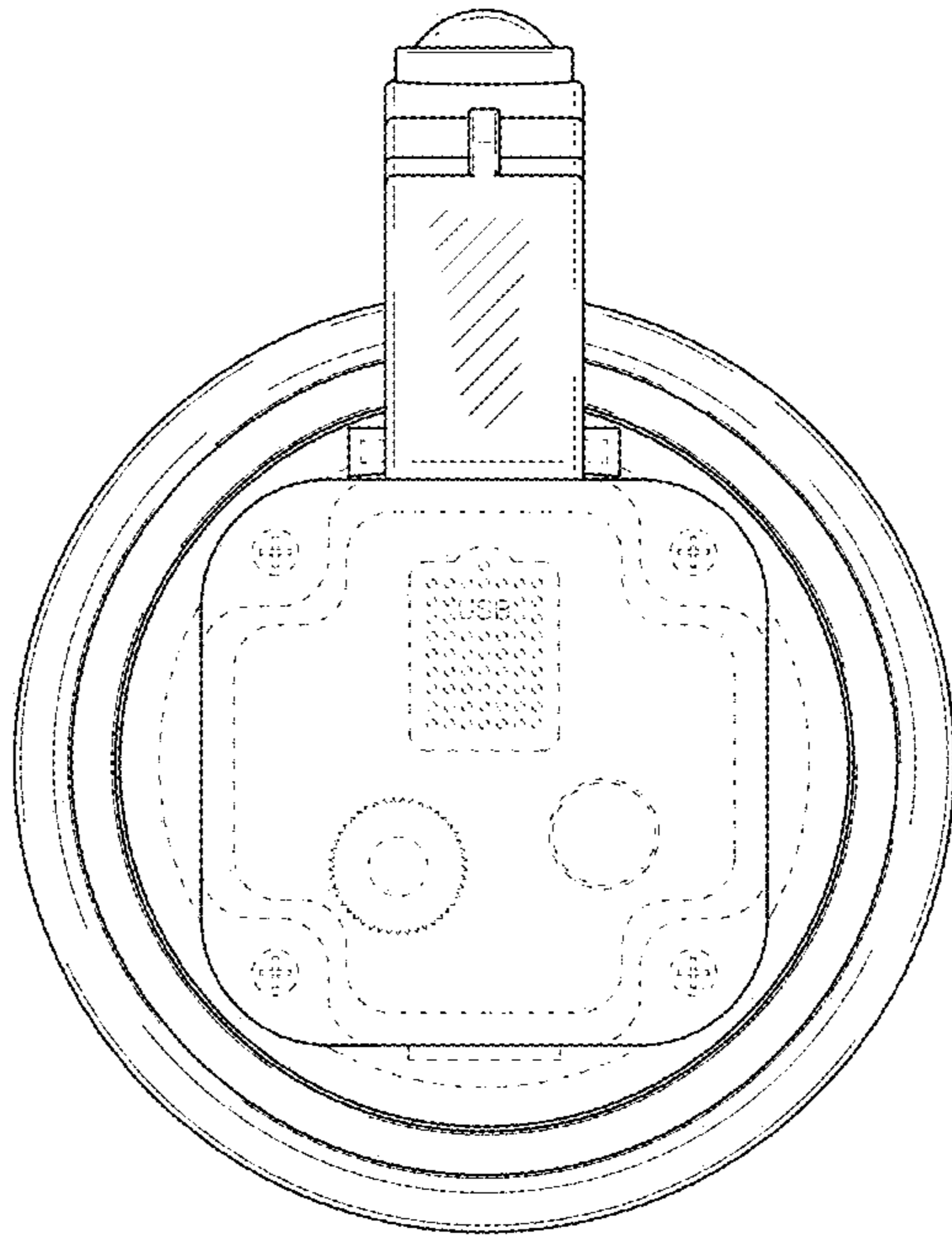


FIG. 3

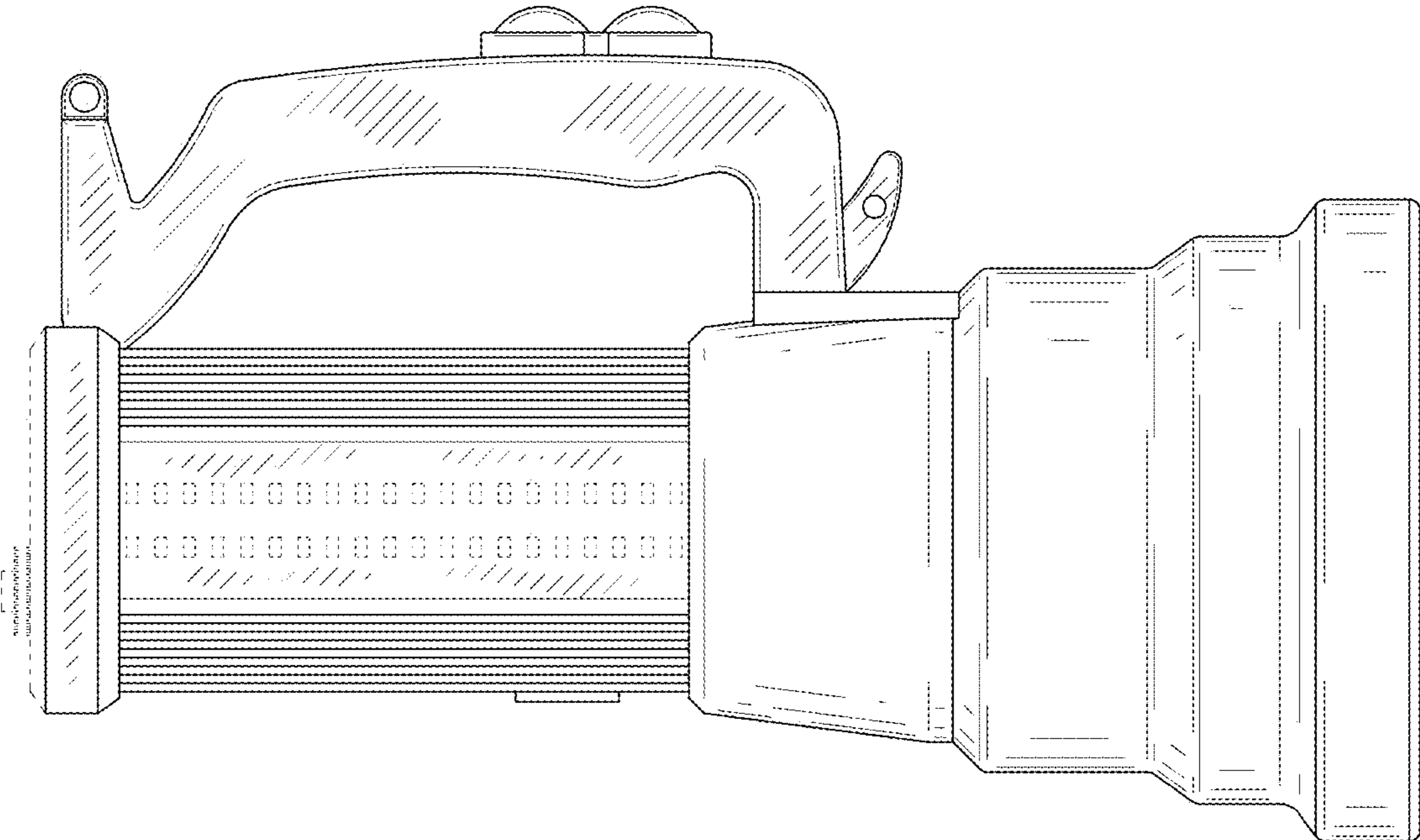


FIG. 4

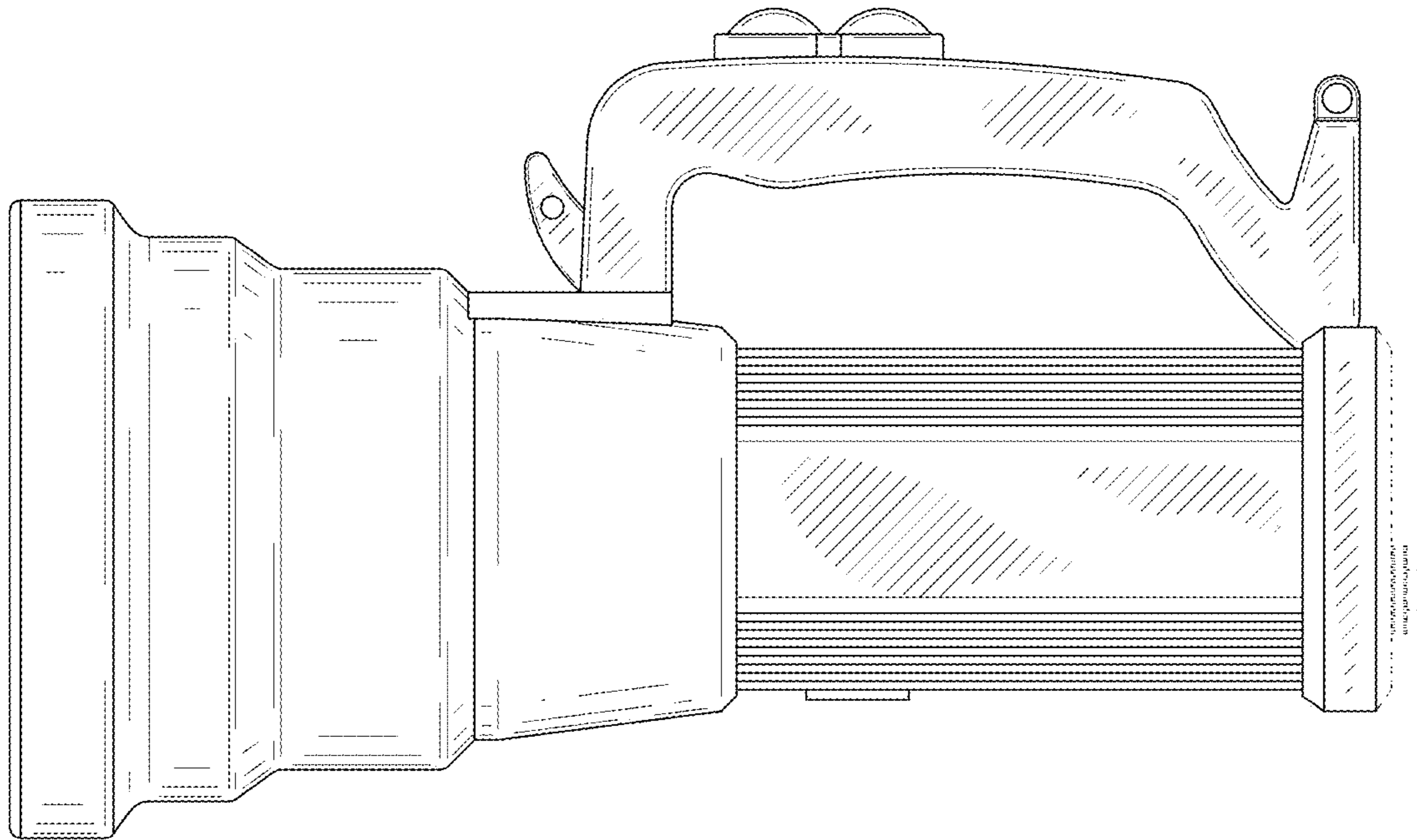


FIG. 5

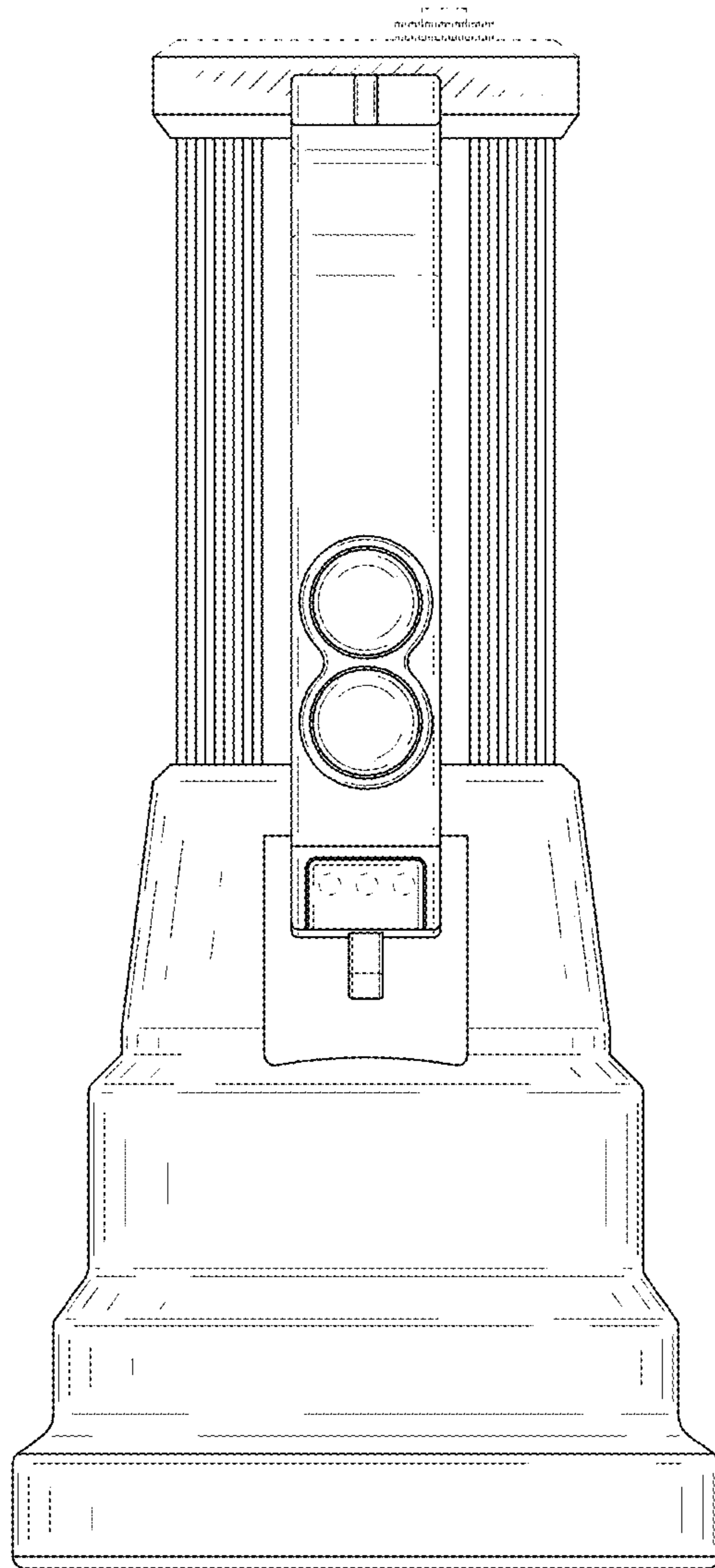


FIG. 6

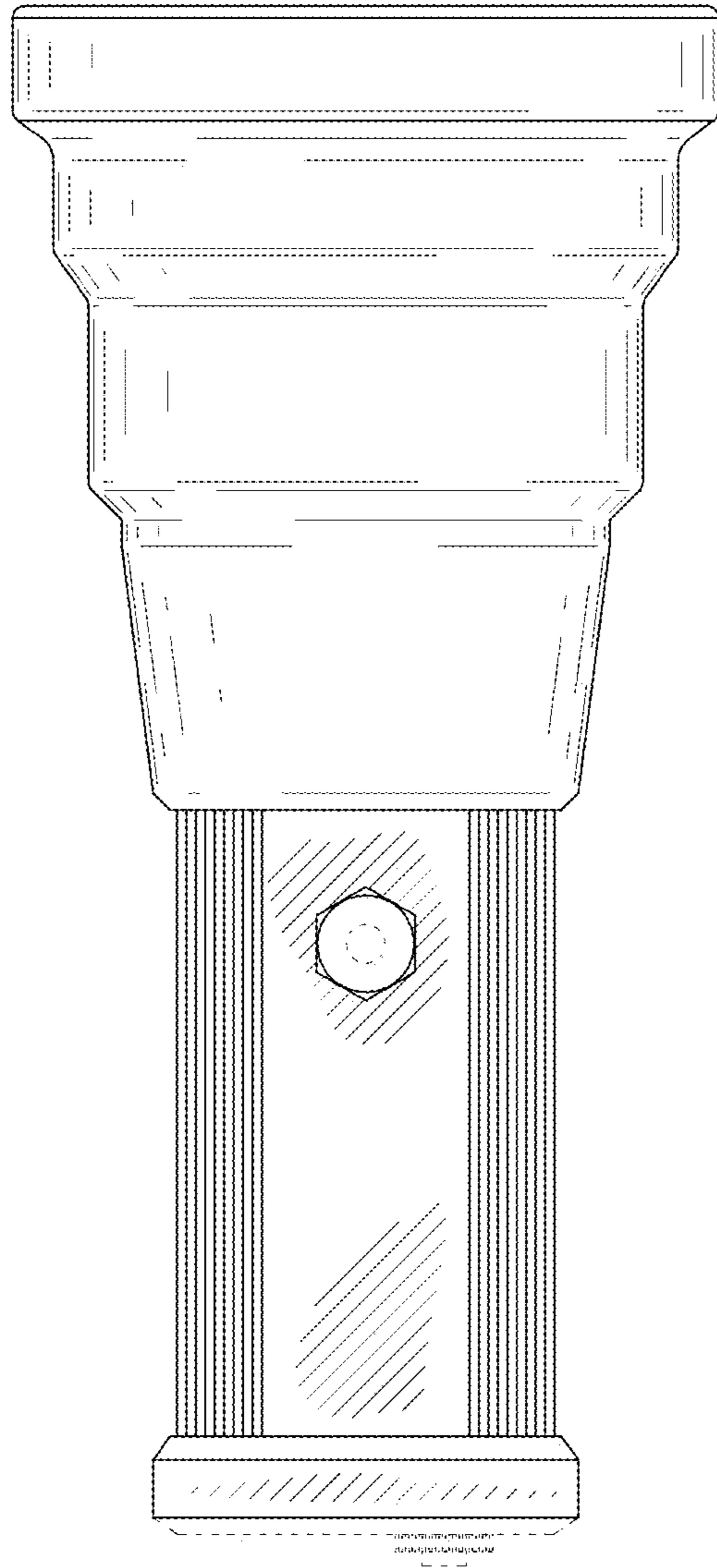


FIG. 7