



US00D980481S

(12) **United States Design Patent** (10) **Patent No.:** **US D980,481 S**  
**Soutter** (45) **Date of Patent:** **\*\* Mar. 7, 2023**

(54) **LANTERN**  
(71) Applicant: **Kre8tive Enterprises Pty Ltd,**  
Artarmon (AU)  
(72) Inventor: **Fiona Soutter,** Artarmon (AU)  
(\*\*) Term: **15 Years**  
(21) Appl. No.: **29/786,479**  
(22) Filed: **Jun. 1, 2021**  
(51) **LOC (14) Cl.** ..... **26-02**  
(52) **U.S. Cl.**  
USPC ..... **D26/40**  
(58) **Field of Classification Search**  
USPC ..... D26/1, 24, 37, 40, 93, 98  
CPC ..... F21L 2/00; F21L 4/00; F21L 4/02; F21L  
4/025; F21L 4/027; F21L 14/00; F21S  
2/00; F21S 8/03; F21S 8/033; F21S  
8/035; F21S 6/00; F21S 6/002; F21S  
6/004; F21S 8/036; F21S 8/037; F21S  
9/00; F21S 9/02; F21V 21/10; F21V  
21/108; F21W 2121/008  
See application file for complete search history.

D898,255 S 10/2020 Lien  
D942,061 S \* 1/2022 Peng ..... F21V 33/0028  
D26/37  
D945,663 S \* 3/2022 Chan ..... D26/40  
2017/0122550 A1 \* 5/2017 Sculler ..... F21V 33/0028  
2018/0135845 A1 \* 5/2018 Chen ..... F21V 23/06

**FOREIGN PATENT DOCUMENTS**

CN 307205958 \* 3/2022

**OTHER PUBLICATIONS**

Amazon, "IKEA—Borrby Lantern black", first available Oct. 5, 2016. (<https://www.amazon.ca/Borrby-IKEA-BORRBY-Lantern-black/dp/B00ROWO49U/>) (Year: 2016).\*

(Continued)

*Primary Examiner* — Lauren D McVey  
*Assistant Examiner* — Justin A Johnson  
(74) *Attorney, Agent, or Firm* — Rumit Ranjit Kanakia

(57) **CLAIM**

The ornamental design for a lantern, as shown and described.

**DESCRIPTION**

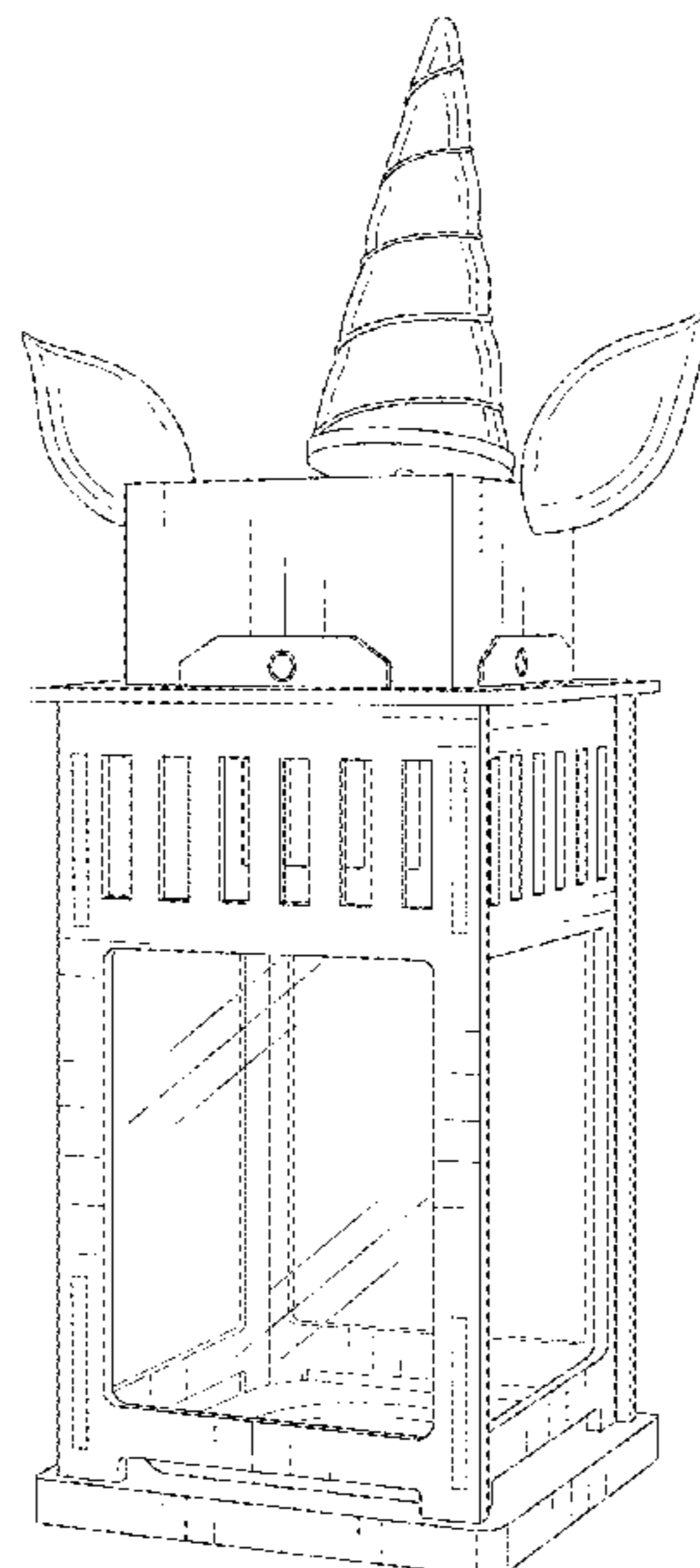
FIG. 1 is a perspective view of a lantern showing my new design;  
FIG. 2 is a front view thereof;  
FIG. 3 is a rear view thereof;  
FIG. 4 is a left-side view thereof;  
FIG. 5 is a right-side view thereof;  
FIG. 6 is a top view thereof;  
FIG. 7 is a bottom view thereof; and,  
FIG. 8 is an exploded perspective view thereof.  
The broken lines in the drawings depict portions of the lantern that form no part of the claimed design.

**1 Claim, 7 Drawing Sheets**

(56) **References Cited**

**U.S. PATENT DOCUMENTS**

D394,910 S \* 6/1998 Volker ..... D26/9  
D509,614 S 9/2005 Jonathan et al.  
D520,163 S \* 5/2006 Krieger ..... D26/40  
D589,203 S \* 3/2009 Sabernig ..... D26/104  
D693,953 S \* 11/2013 Yang ..... D26/104  
D693,956 S \* 11/2013 Yang ..... D26/85  
D694,458 S 11/2013 Yang  
D706,968 S \* 6/2014 McDonough ..... D26/41  
D756,545 S \* 5/2016 Goodsell ..... D26/9  
D764,692 S \* 8/2016 Montemagni ..... F21V 23/06  
D26/40  
D785,223 S \* 4/2017 Patton ..... D26/85  
D839,463 S 1/2019 Fu



(56)

**References Cited**

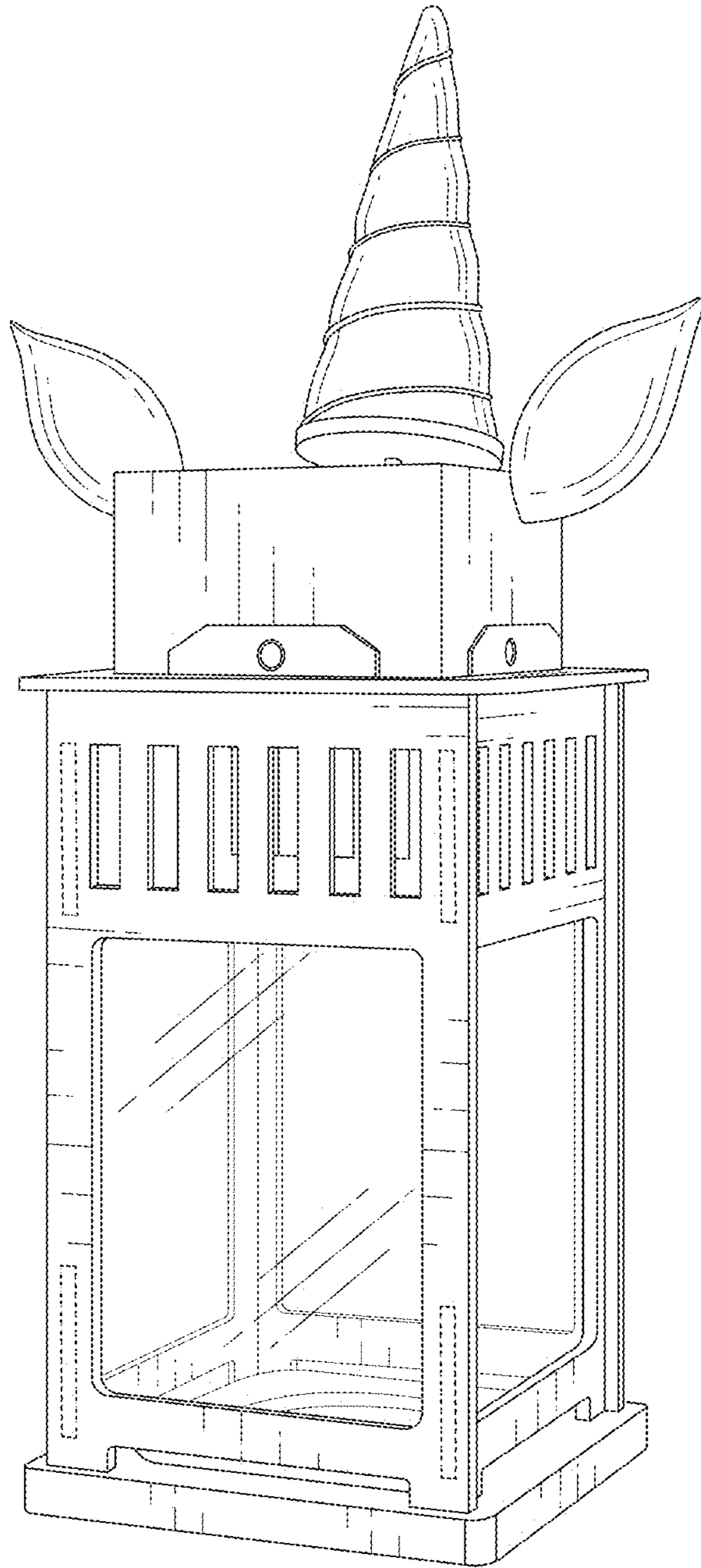
OTHER PUBLICATIONS

Amazon, "QTKJ USB and Battery Operated Angel and Unicorn Night Lamp", first available Nov. 20, 2018. (<https://www.amazon.com/QTKJ-Battery-Operated-Spinning-Decoration/dp/B07MG4LZGC>) (Year: 2018).\*

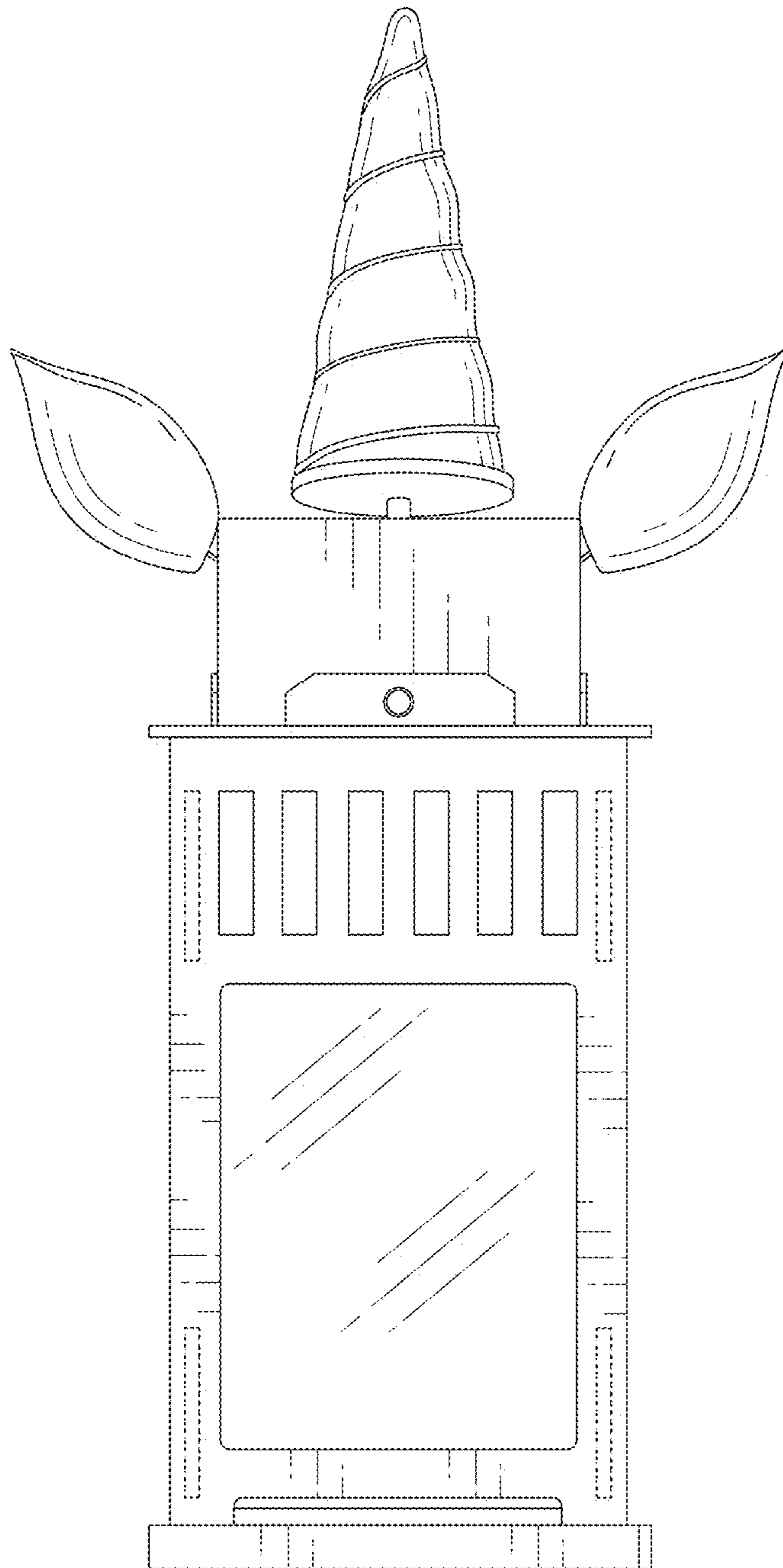
Amazon, "DIY Fairy Lantern Craft Kit", first available Nov. 10, 2021. ([https://www.amazon.com/Unicorn-Night-Light-Lantern-Craft/dp/B09KZ782B7?ref\\_=ast\\_sto\\_dp](https://www.amazon.com/Unicorn-Night-Light-Lantern-Craft/dp/B09KZ782B7?ref_=ast_sto_dp)) (Year: 2021).\*

Amazon, "Pattywise Rustic Decorative Wooden Lantern", first available Aug. 18, 2021. (<https://www.amazon.com/dp/B09CZCKN3R/>) (Year: 2021).\*

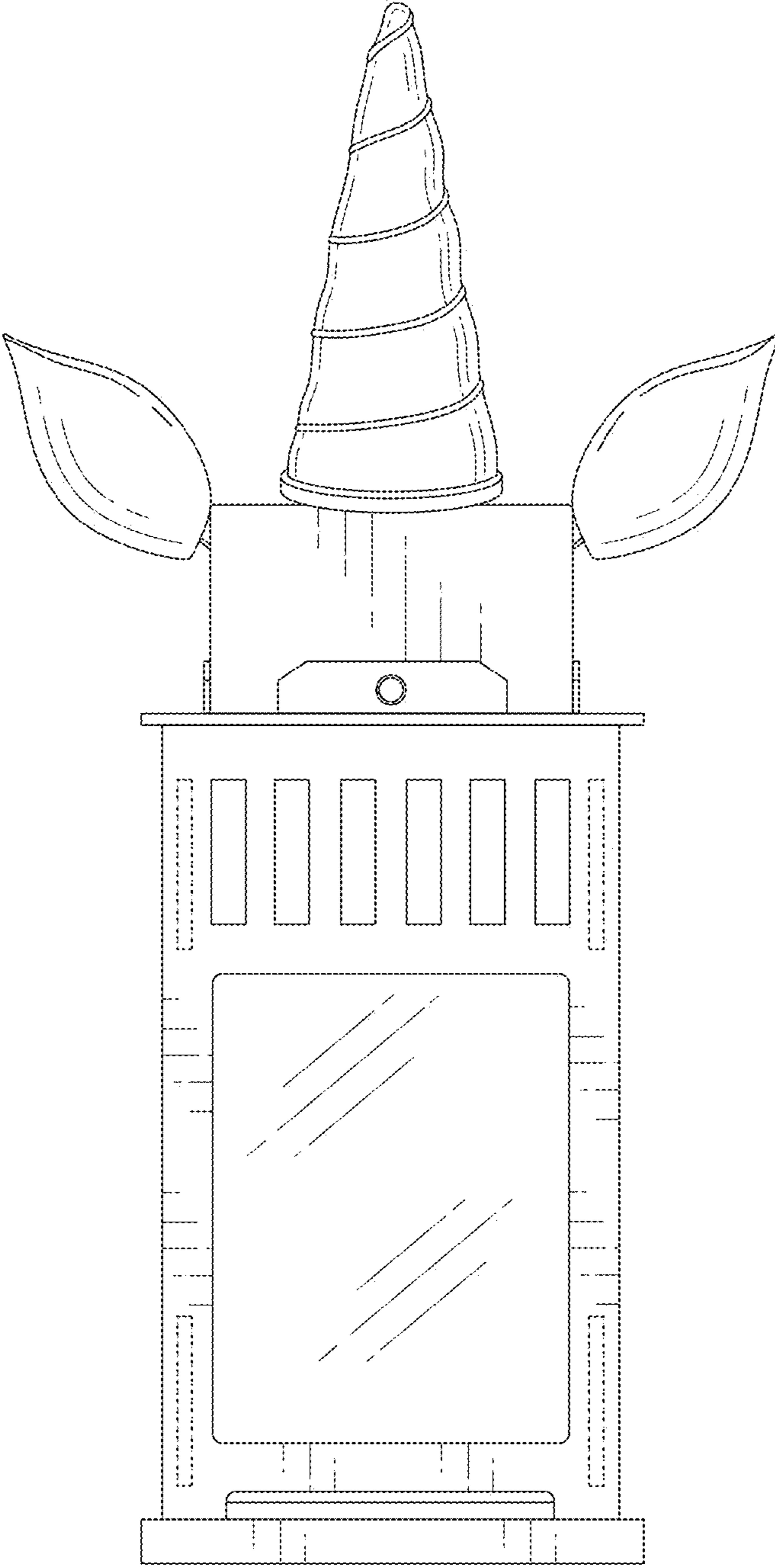
\* cited by examiner



**FIG.1**



**FIG.2**



**FIG.3**

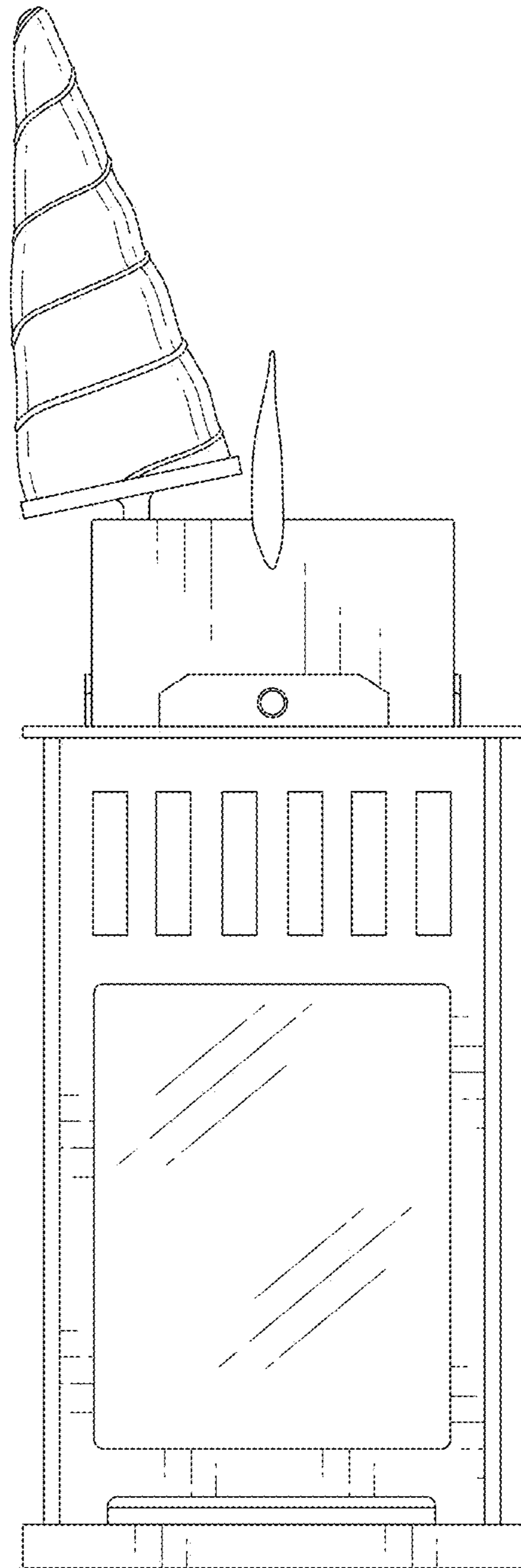


FIG.4

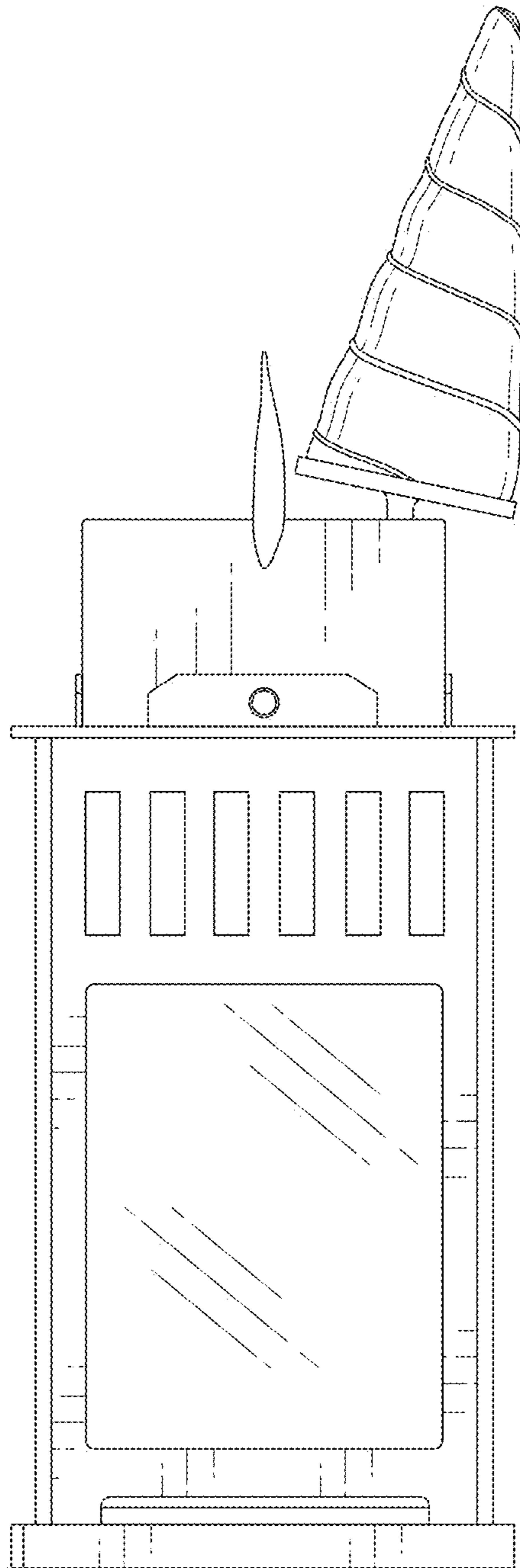
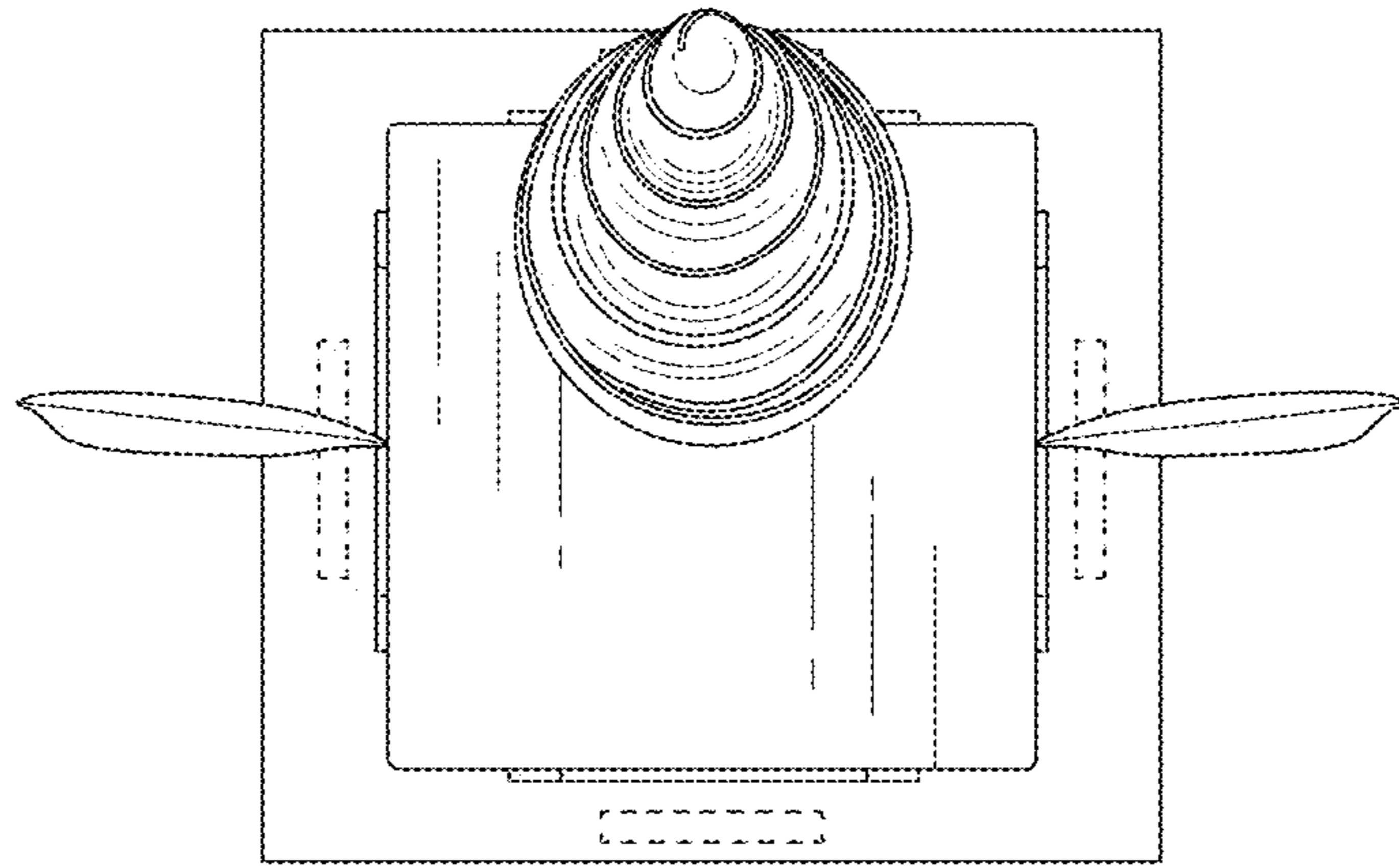
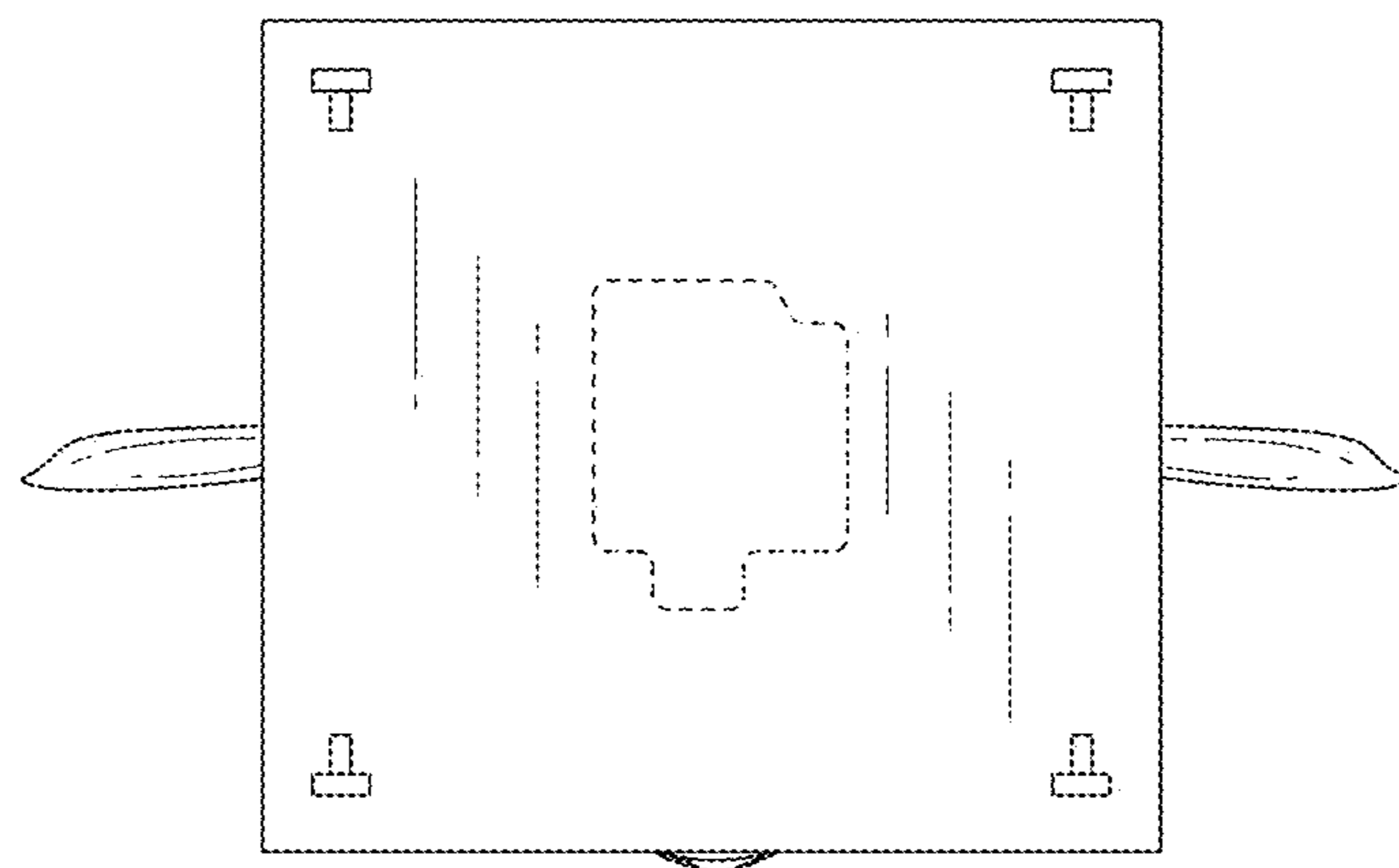


FIG.5



**FIG. 6**



**FIG. 7**



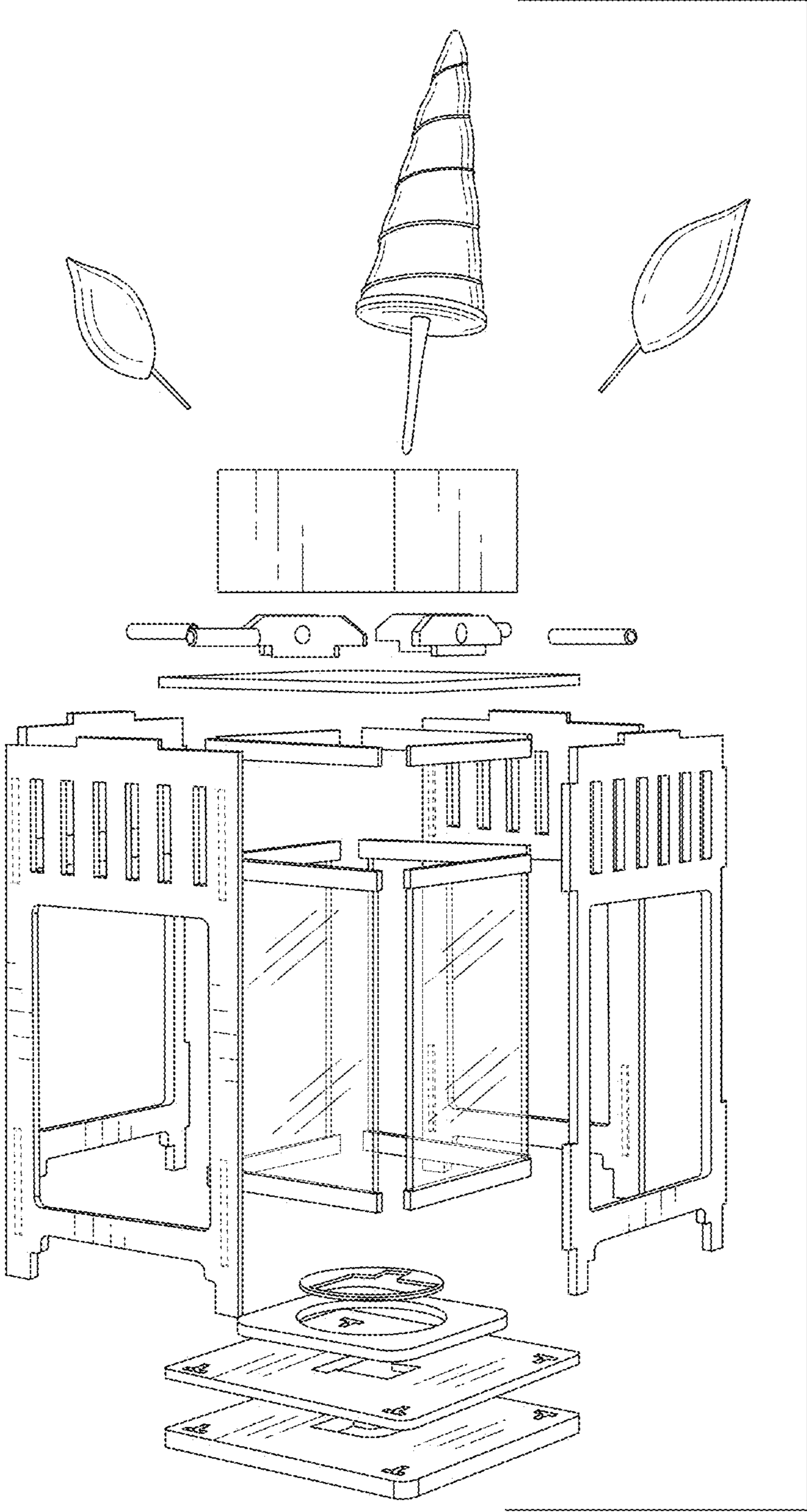


FIG.8