



US00D980480S

(12) **United States Design Patent** (10) **Patent No.:** **US D980,480 S**
Hu et al. (45) **Date of Patent:** **** Mar. 7, 2023**

(54) **FLASHLIGHT**

(71) Applicant: **SHENZHEN APEMAN INNOVATIONS TECHNOLOGY CO., LTD.**, Shenzhen (CN)

(72) Inventors: **Yong Hu**, Shenzhen (CN); **Kaiyuan Wei**, Shenzhen (CN); **Weifan Yang**, Shenzhen (CN)

(**) Term: **15 Years**

(21) Appl. No.: **29/771,194**

(22) Filed: **Feb. 20, 2021**

(51) **LOC (14) Cl.** **26-02**

(52) **U.S. Cl.**
USPC **D26/37**; D26/46; D26/49

(58) **Field of Classification Search**
USPC D26/24, 37-52, 113, 138
CPC F21Y 2115/10; F21Y 2101/00; F21Y 2113/13; F21Y 2113/00; F21Y 2113/17; F21V 23/0414; F21V 15/01; F21V 21/0885; F21V 14/045; F21V 14/025; F21V 21/145; F21V 21/406; F21V 21/0965; F21V 5/006; F21V 14/065; F21V 7/0075; F21V 9/083; F21V 13/045; F21V 21/0925; F21L 4/005; F21L 4/027; F21L 4/00; F21L 2/00; F21L 4/085; F21L 15/02; F21L 4/04; F21L 4/045

See application file for complete search history.

(56) **References Cited**

U.S. PATENT DOCUMENTS

D311,067 S * 10/1990 Chabria D26/46
D313,662 S * 1/1991 Caires D26/37
D329,059 S * 9/1992 Lee D26/37

D391,655 S * 3/1998 Hughes D26/37
D532,540 S * 11/2006 Cohen D26/42
D637,749 S * 5/2011 Bayat D26/49
D743,594 S * 11/2015 Scazziga D26/37
D921,248 S * 6/2021 Shang D26/37
D940,935 S * 1/2022 Wojan D26/37

FOREIGN PATENT DOCUMENTS

GB 6117624 * 3/2021

* cited by examiner

Primary Examiner — Marissa J Cash
Assistant Examiner — William B Melliar

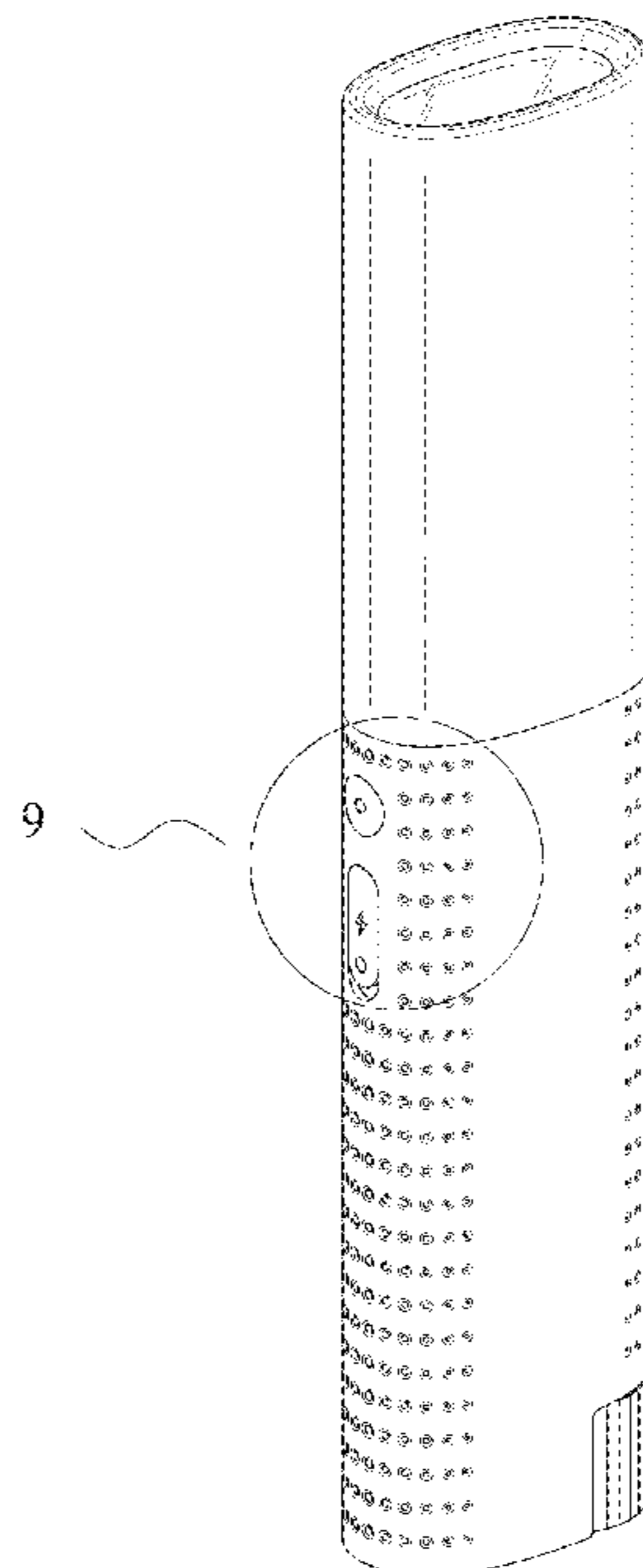
(57) **CLAIM**

The ornamental design for a flashlight, as shown and described.

DESCRIPTION

FIG. 1 is a front, left side, top perspective view of a flashlight showing my new design;
FIG. 2 is a rear, right side, bottom perspective view thereof;
FIG. 3 is a front elevational view thereof;
FIG. 4 is a rear elevational view thereof;
FIG. 5 is a left side elevational view thereof;
FIG. 6 is a right side elevational view thereof;
FIG. 7 is a top plan view thereof;
FIG. 8 is a bottom plan view thereof;
FIG. 9 is an enlarged view of the encircled region 9 shown in FIG. 1;
FIG. 10 is an enlarged view of the encircled region 10 shown in FIG. 2; and,
FIG. 11 is a cross-sectional view of the flashlight as taken along the section line 11-11 as depicted in FIG. 5.
The broken lines depict portions of the flashlight that form no part of the claimed design.

1 Claim, 11 Drawing Sheets



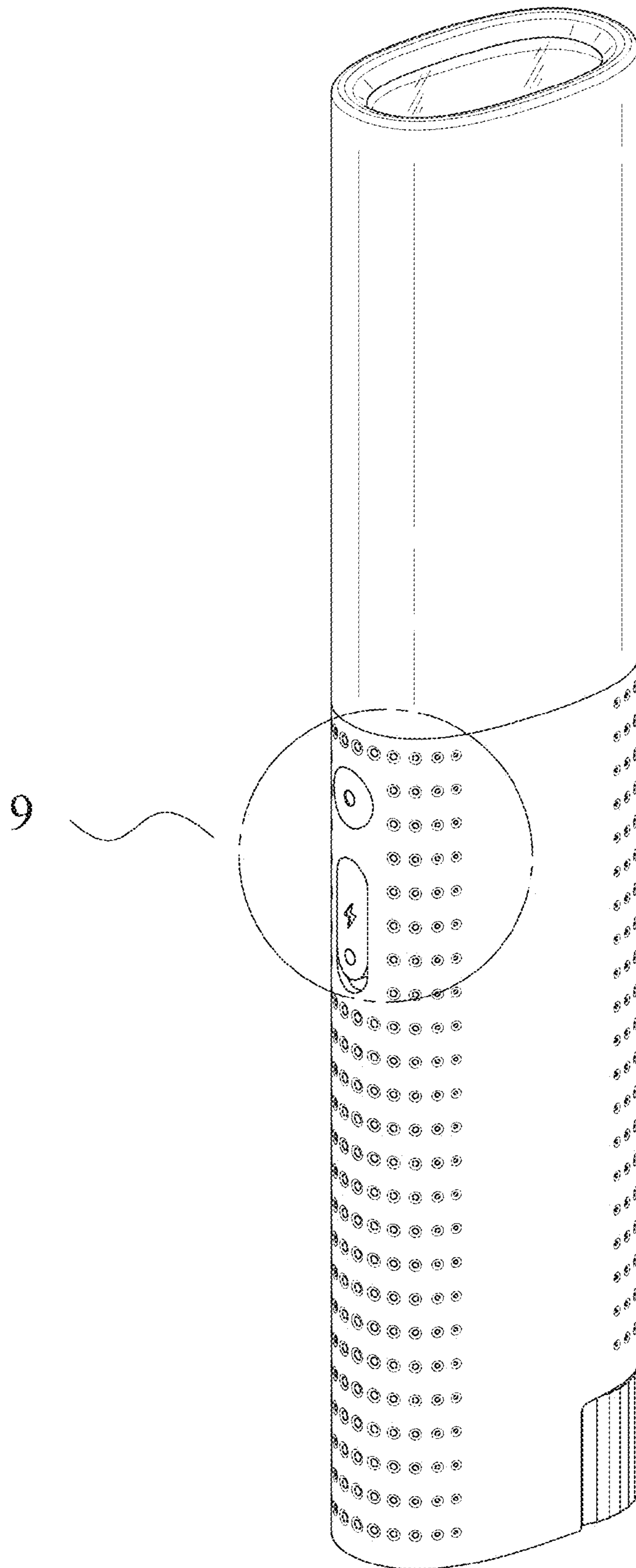


FIG. 1

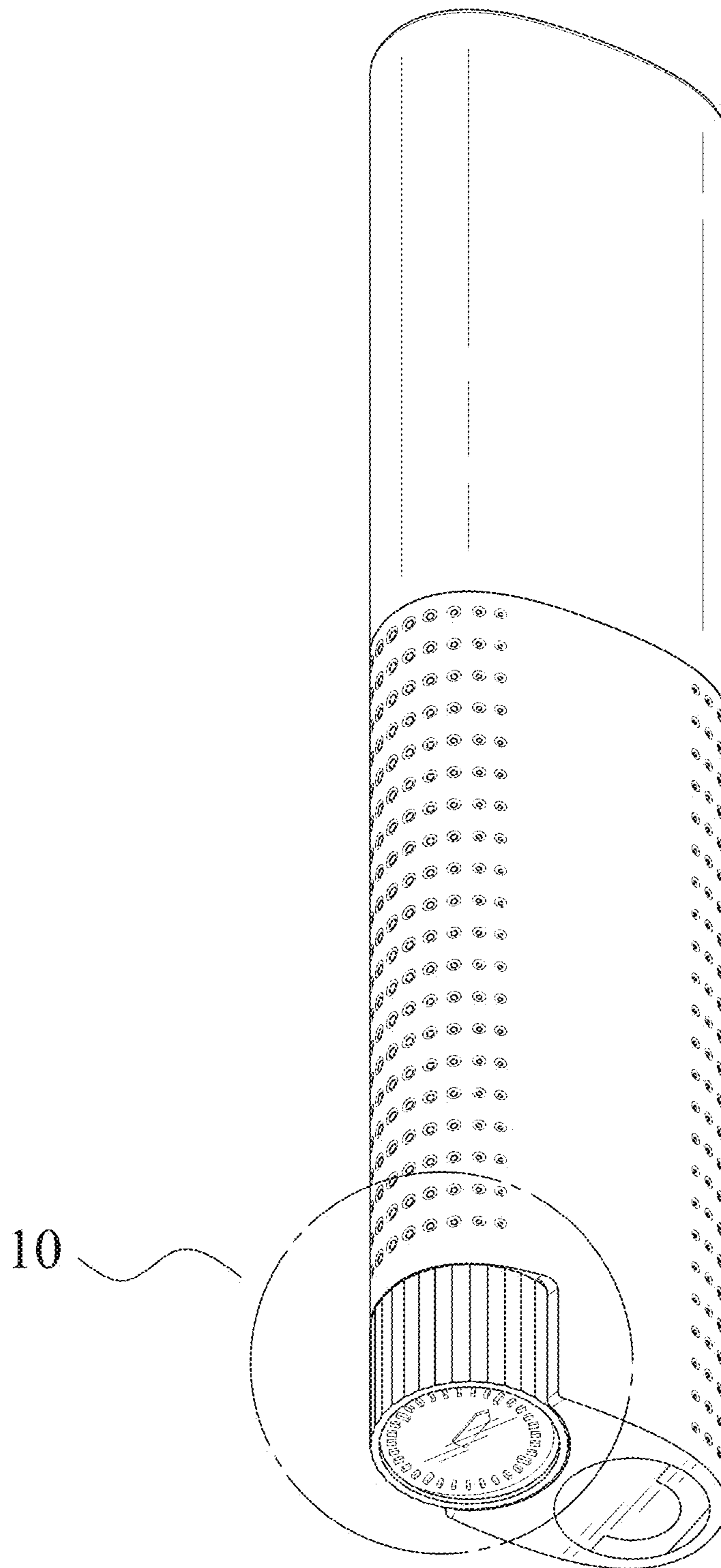


FIG. 2

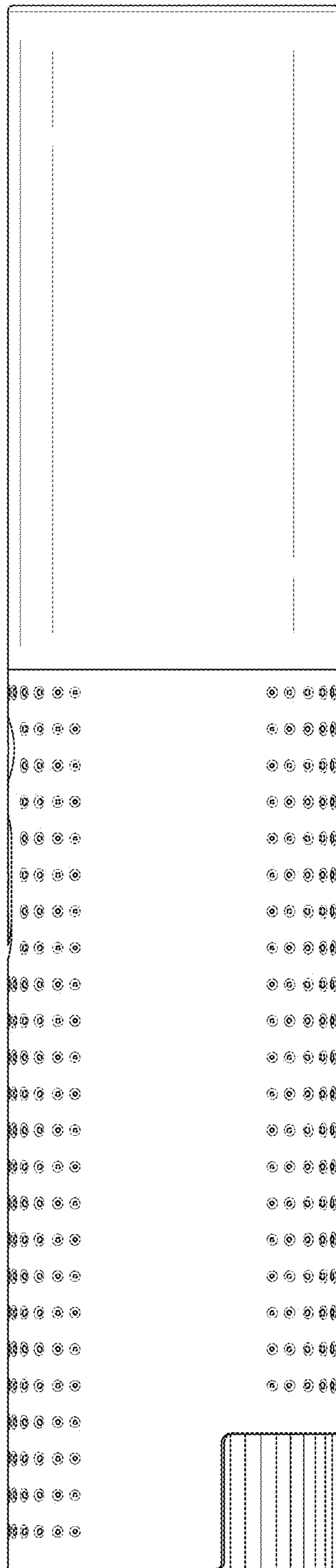


FIG.3

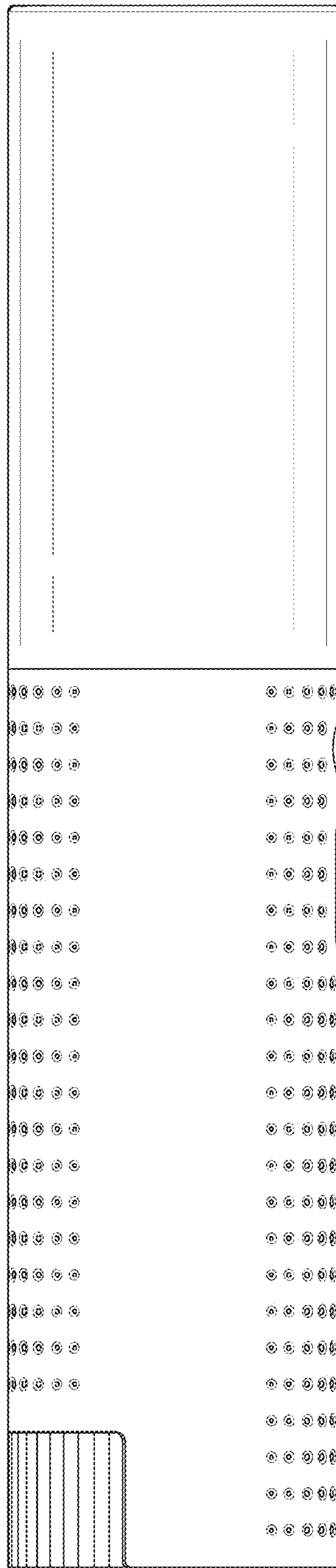
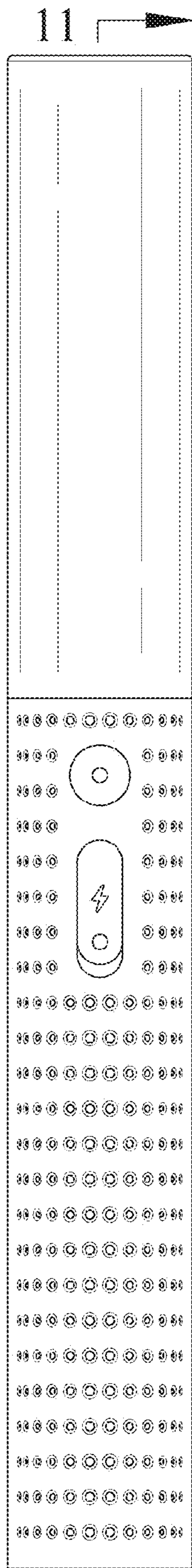


FIG.4



11
FIG.5

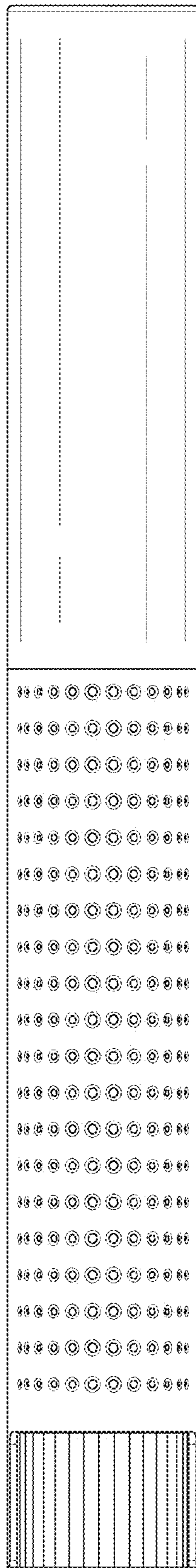


FIG. 6

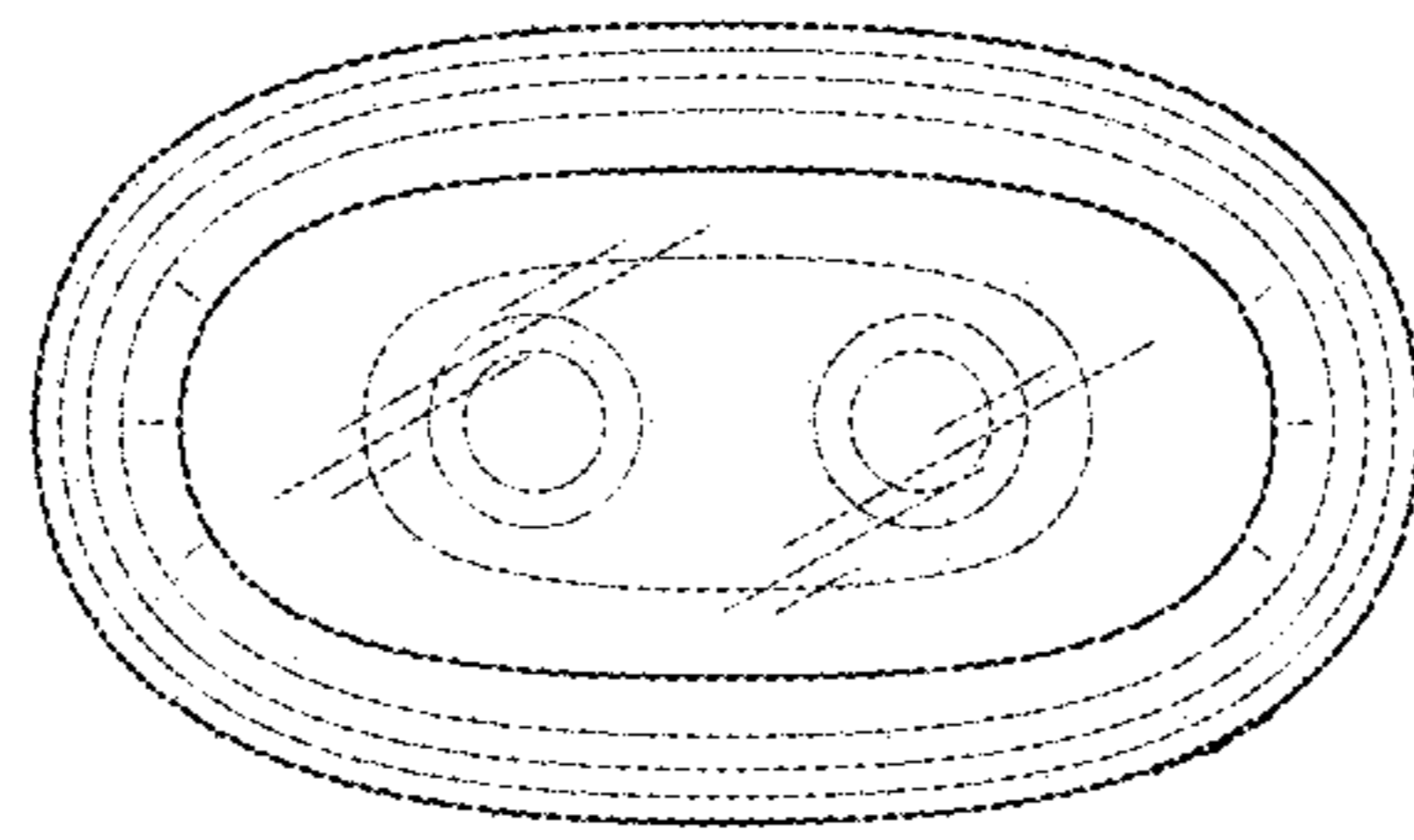


FIG.7

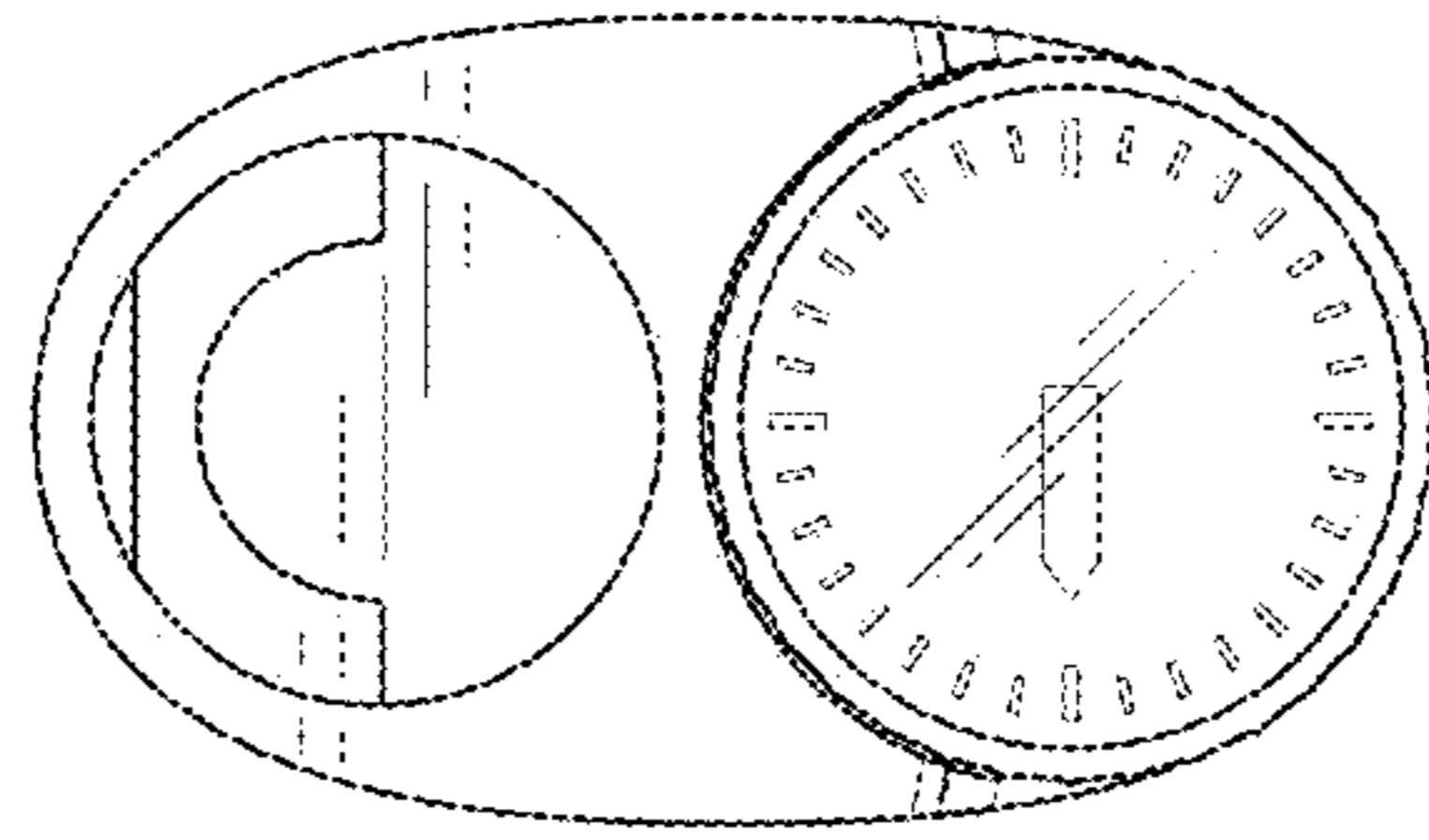


FIG. 8

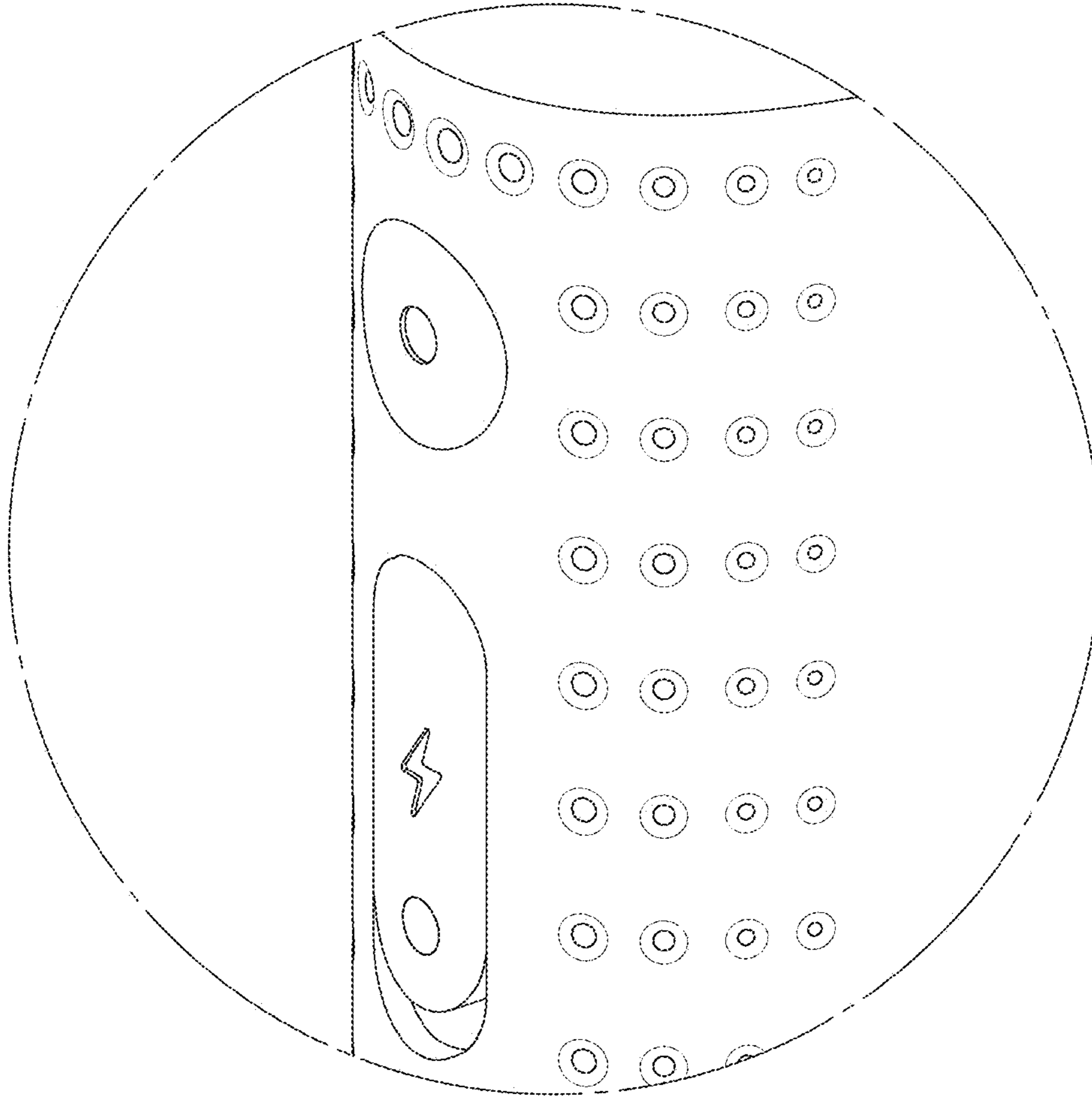


FIG.9

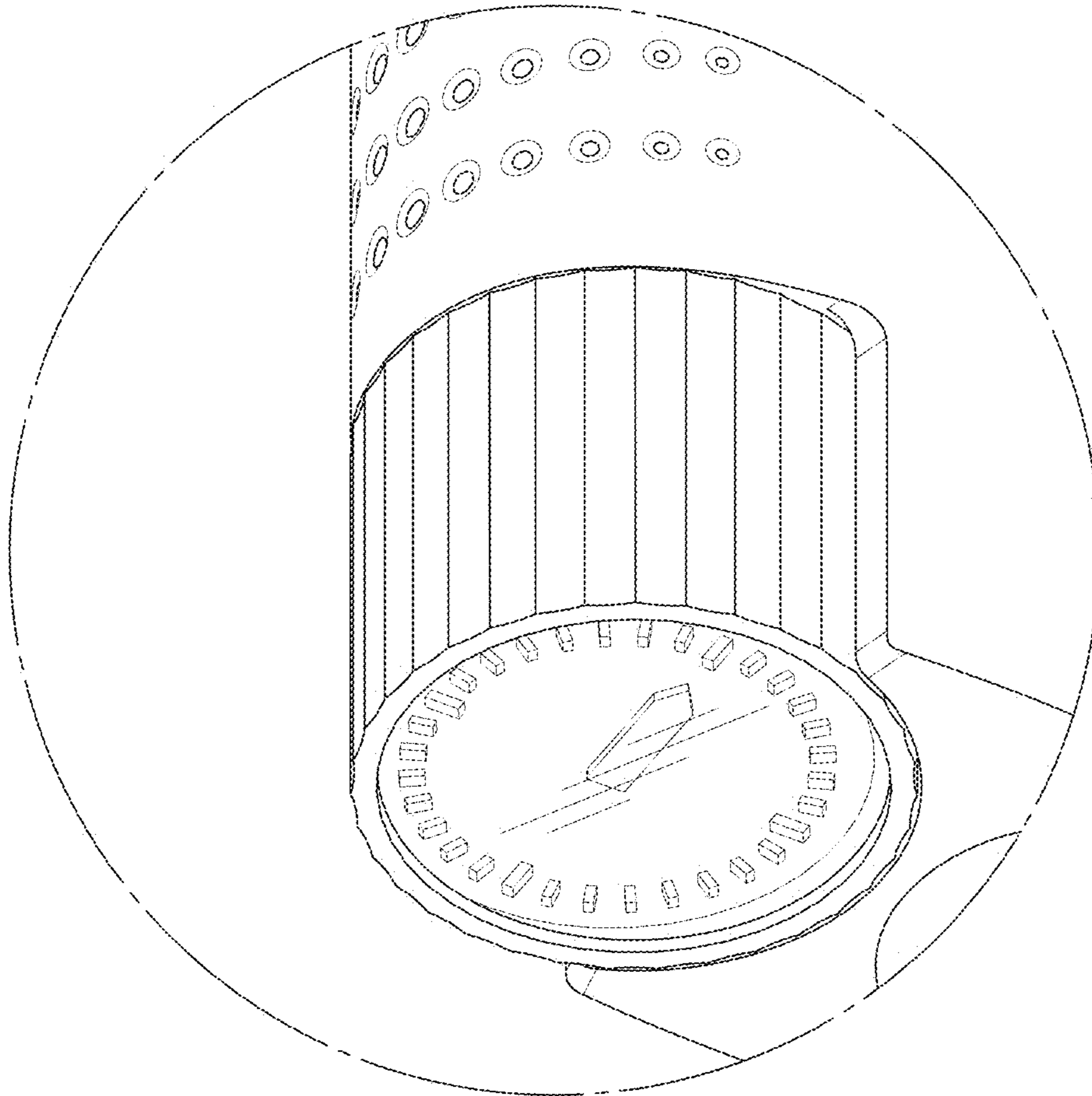


FIG.10

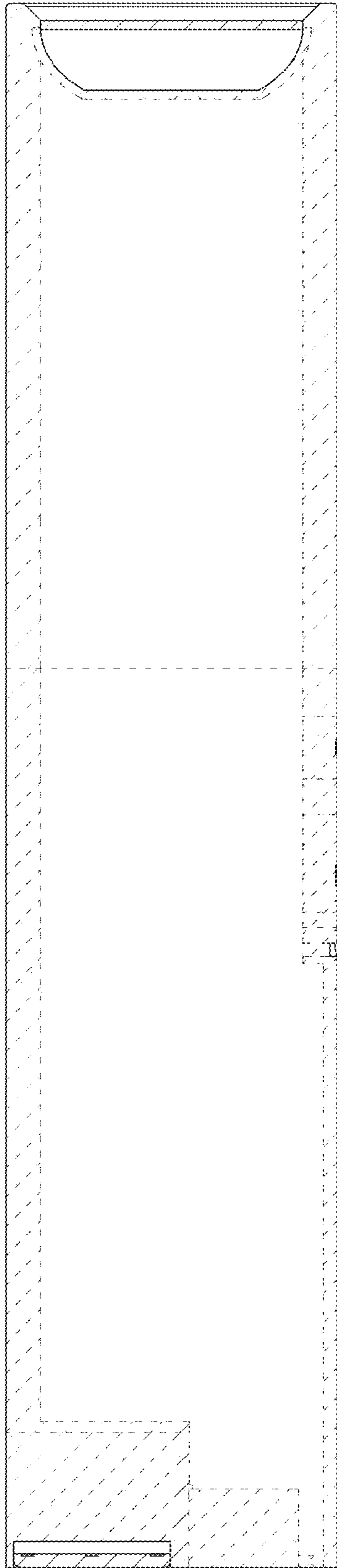


FIG. 11