



US00D980479S

(12) **United States Design Patent** (10) **Patent No.:** **US D980,479 S**
Oh et al. (45) **Date of Patent:** **** Mar. 7, 2023**

(54) **HEAD LAMP FOR AN AUTOMOBILE**

F21S 41/20; F21S 41/33; F21S 41/36;
F21S 41/60; F21S 43/00; F21V 21/04

(71) Applicants: **Hyundai Motor Company**, Seoul (KR); **Kia Corporation**, Seoul (KR)

See application file for complete search history.

(72) Inventors: **Se Jin Oh**, Seoul (KR); **Myung Jin Jung**, Hwaseong-si (KR); **Ji Hun Shin**, Ulsan (KR)

(56) **References Cited**

U.S. PATENT DOCUMENTS

(73) Assignees: **Hyundai Motor Company**, Seoul (KR); **Kia Corporation**, Seoul (KR)

D736,971	S	*	8/2015	Duff	D26/28
D755,420	S	*	5/2016	Ko	D26/28
D792,622	S	*	7/2017	Briscoe	D26/28
D855,845	S	*	8/2019	Takei	D26/28
D895,180	S	*	9/2020	Hong	D26/28
D913,551	S	*	3/2021	Sin	D26/28
D942,058	S	*	1/2022	Hwang	D26/28
D942,654	S	*	2/2022	Hu	D26/28
D943,789	S	*	2/2022	Moon	D26/28
D946,183	S	*	3/2022	Kim	D26/28
D950,798	S	*	5/2022	Theis	D26/28
D951,501	S	*	5/2022	Hirai	D26/28
D952,918	S	*	5/2022	Jegal	D26/28

(**) **Term:** **15 Years**

* cited by examiner

(21) **Appl. No.:** **35/513,579**

Primary Examiner — Angela J Lee

(22) **Filed:** **Aug. 11, 2021**

(74) *Attorney, Agent, or Firm* — Fox Rothschild LLP

(80) **Hague Agreement Data**

Int. Filing Date: **Aug. 11, 2021**
Int. Reg. No.: **DM/215869**
Int. Reg. Date: **Aug. 11, 2021**
Int. Reg. Pub. Date: **Feb. 11, 2022**

(57) **CLAIM**

(30) **Foreign Application Priority Data**

Feb. 22, 2021 (KR) 30-2021-0008815

The ornamental design for a head lamp for an automobile, as shown and described.

(51) **LOC (14) Cl.** **26-06**

DESCRIPTION

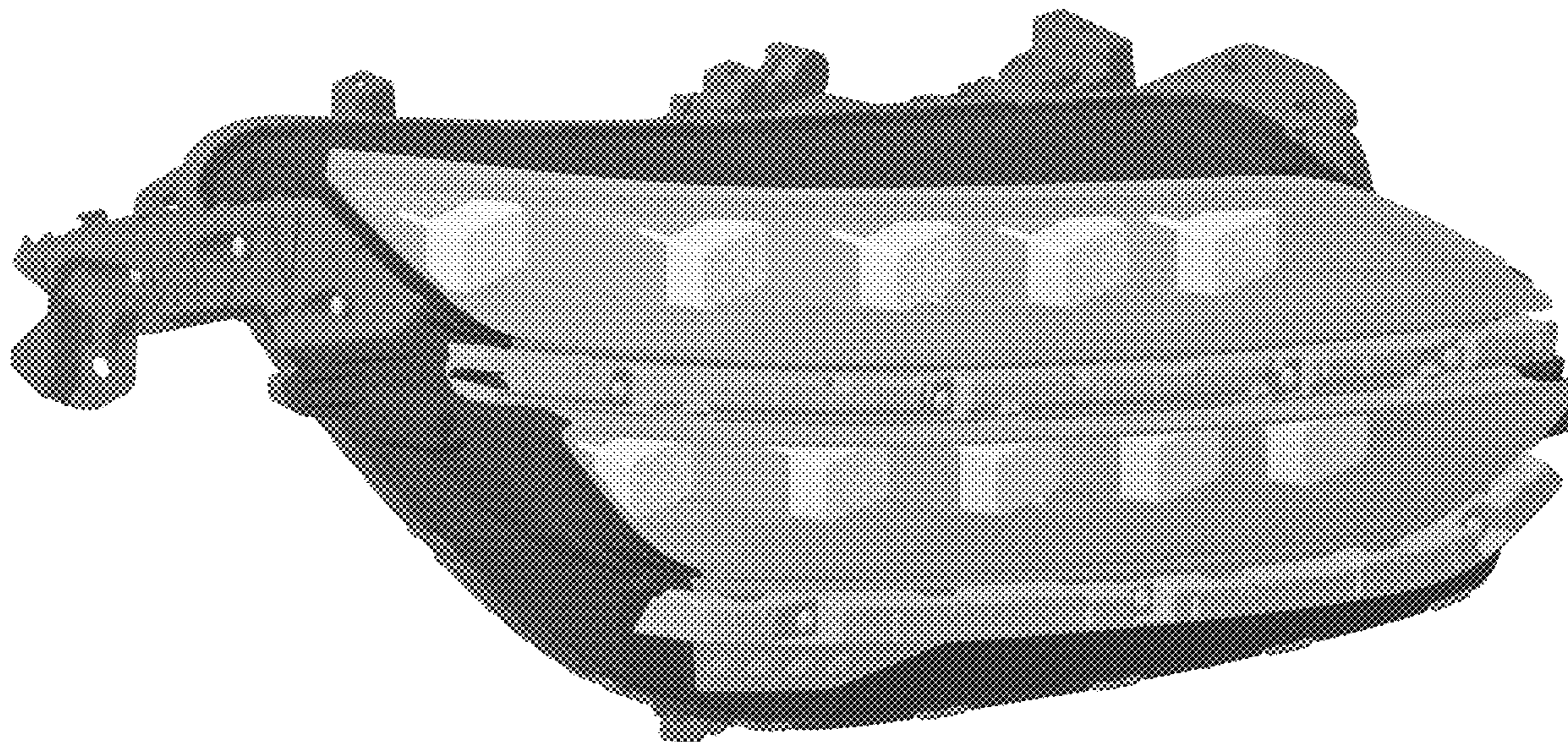
(52) **U.S. Cl.**
USPC **D26/28**

- 1. Head lamp for an automobile
- 1.1 : Perspective
- 1.2 : Front
- 1.3 : Back
- 1.4 : Left
- 1.5 : Right
- 1.6 : Top
- 1.7 : Bottom

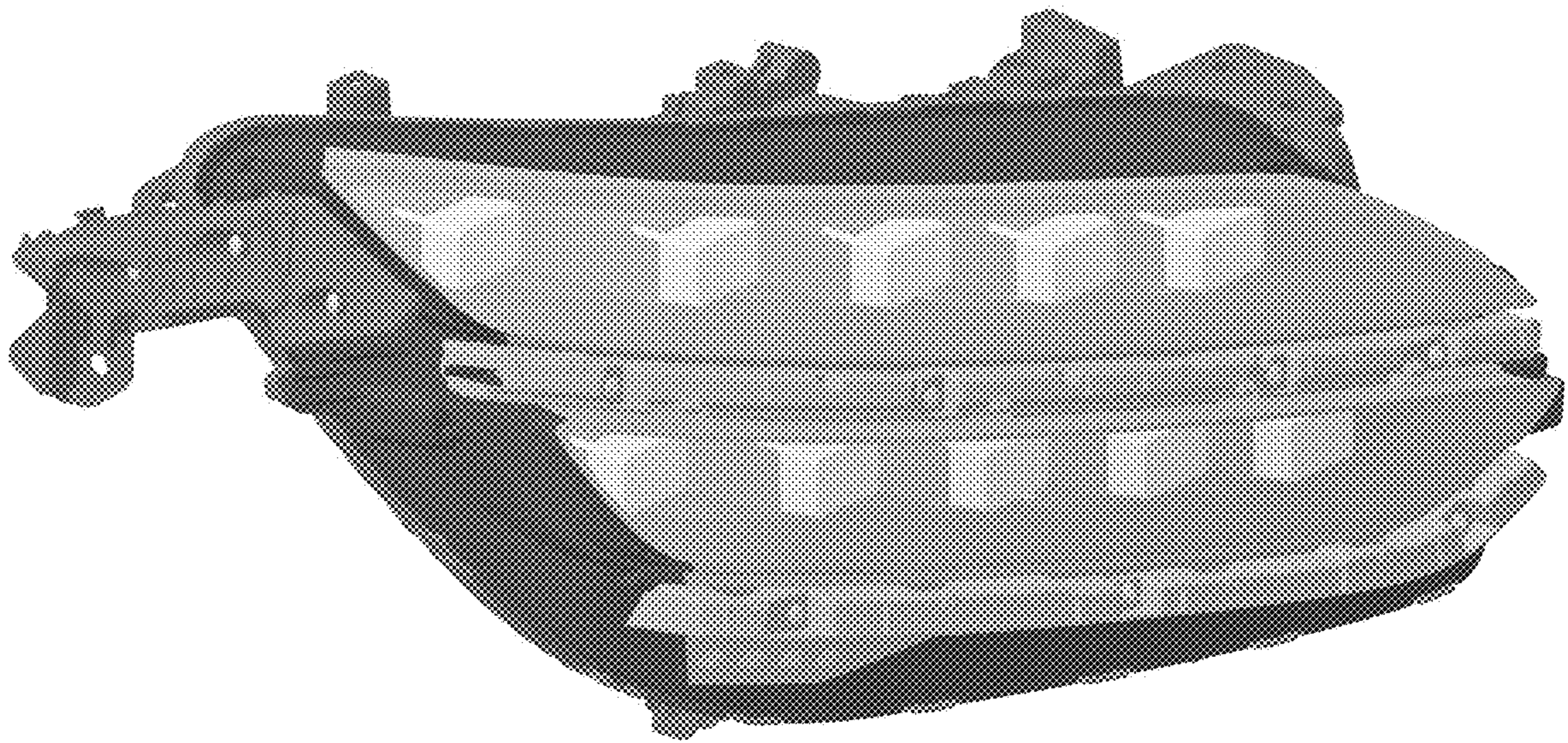
(58) **Field of Classification Search**
USPC D26/28, 29, 30, 31, 32, 33, 34, 35, 36, D26/139

CPC F21W 2103/35; F21W 2103/40; F21W 2102/17; F21W 2102/30; F21W 2103/00; F21W 2103/55; F21W 2104/00; F21W 2107/17; F21W 2107/13; F21S 41/00; F21S 41/141; F21S 41/162; F21S 41/18;

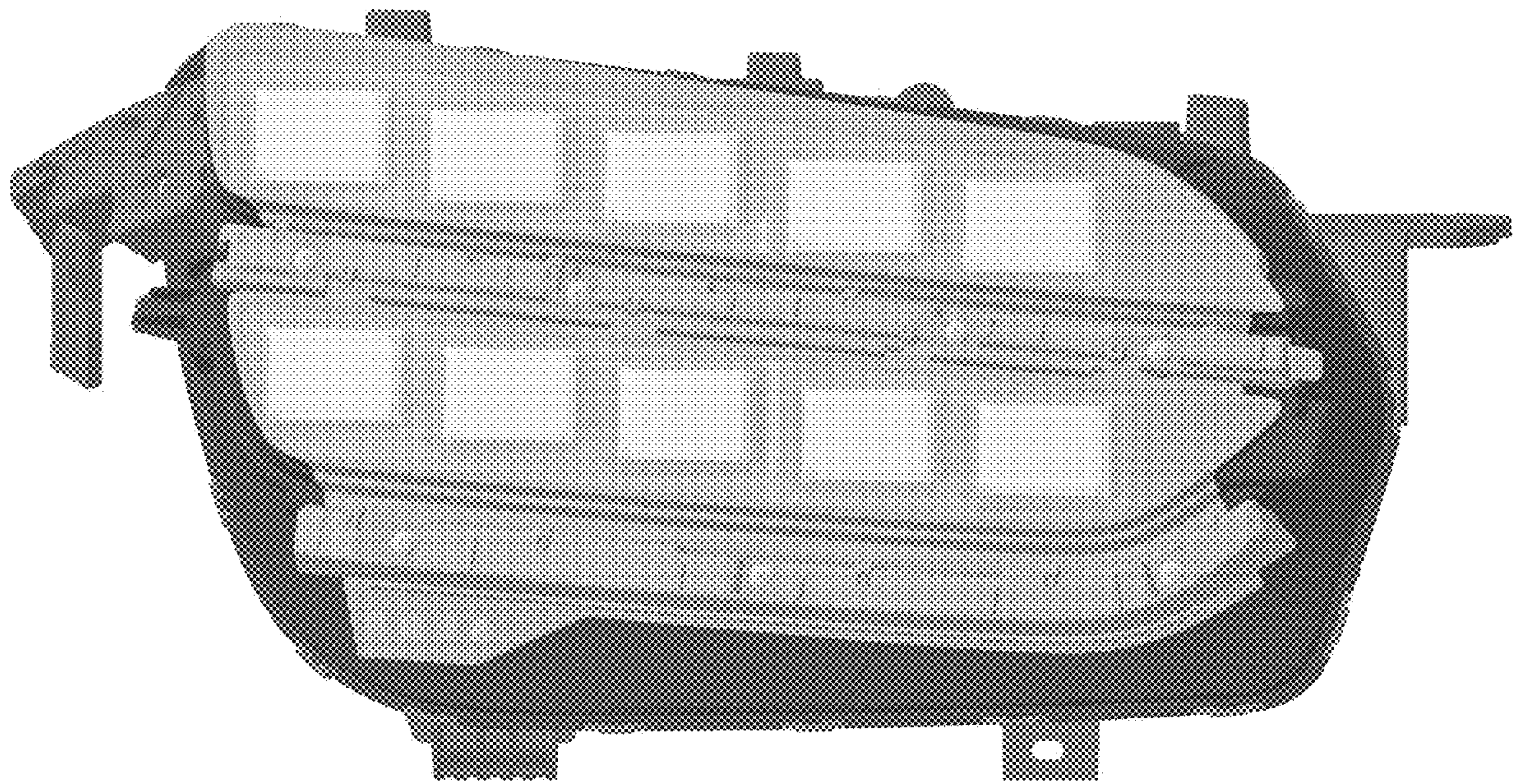
1 Claim, 7 Drawing Sheets



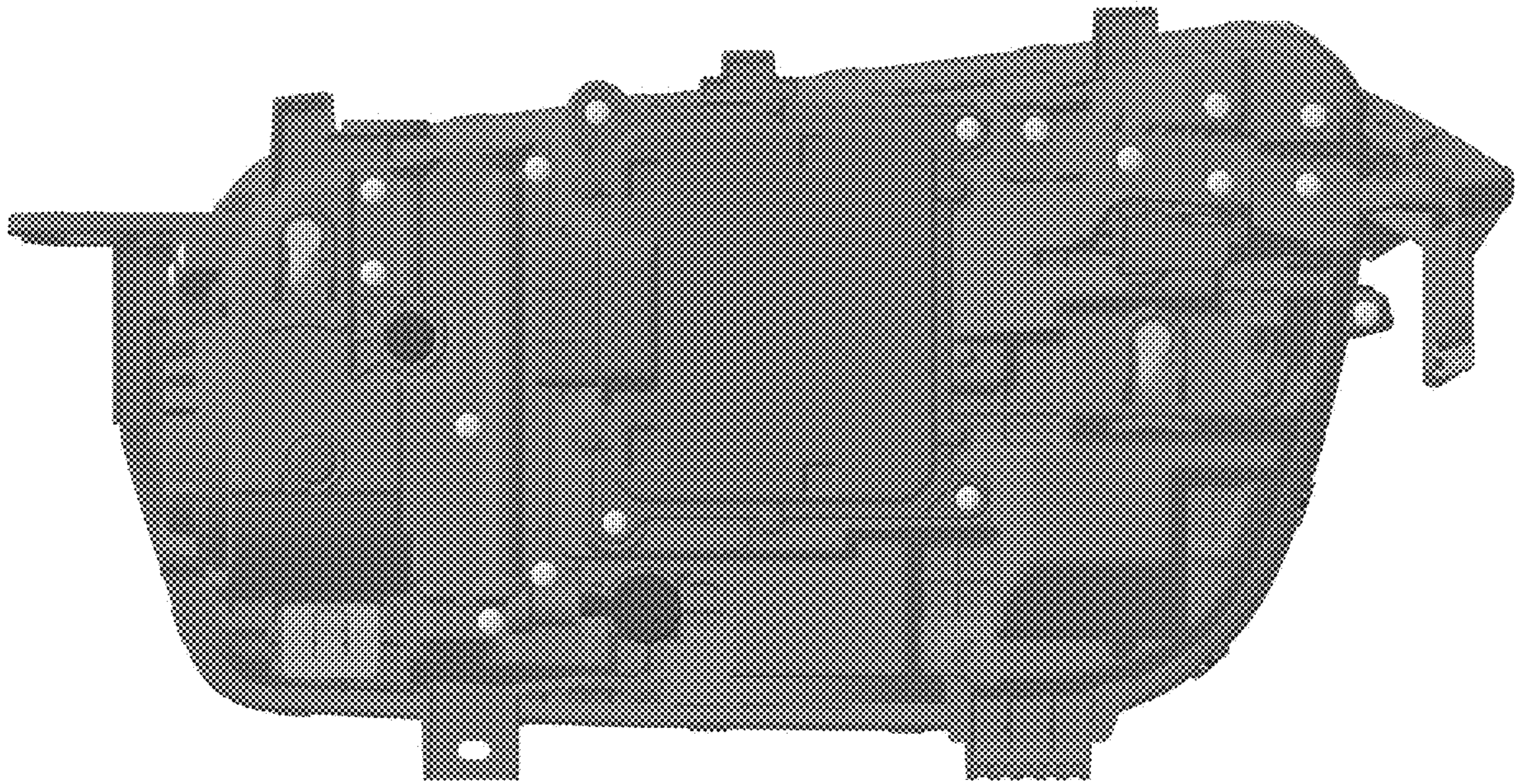
1.1



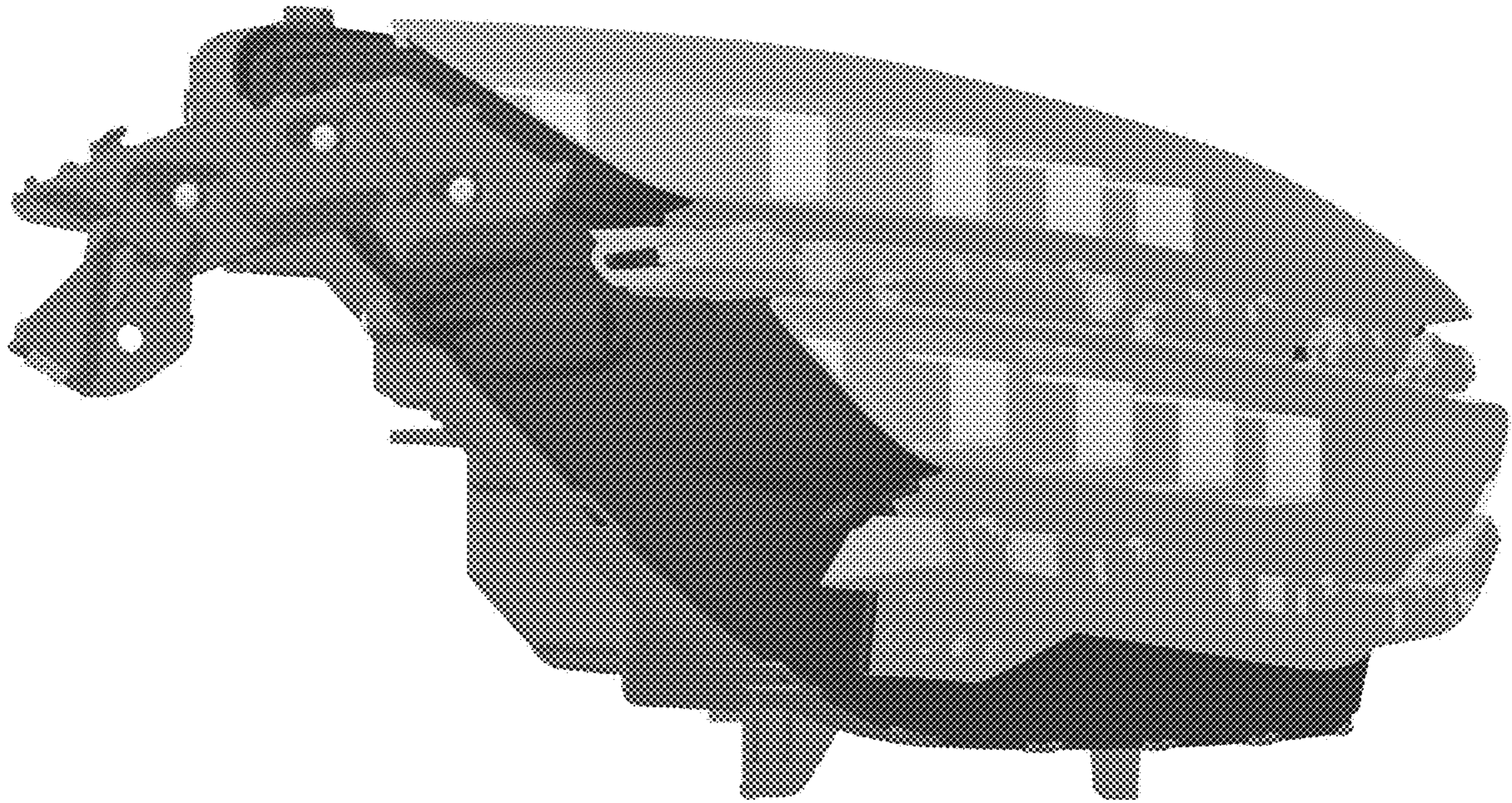
1.2



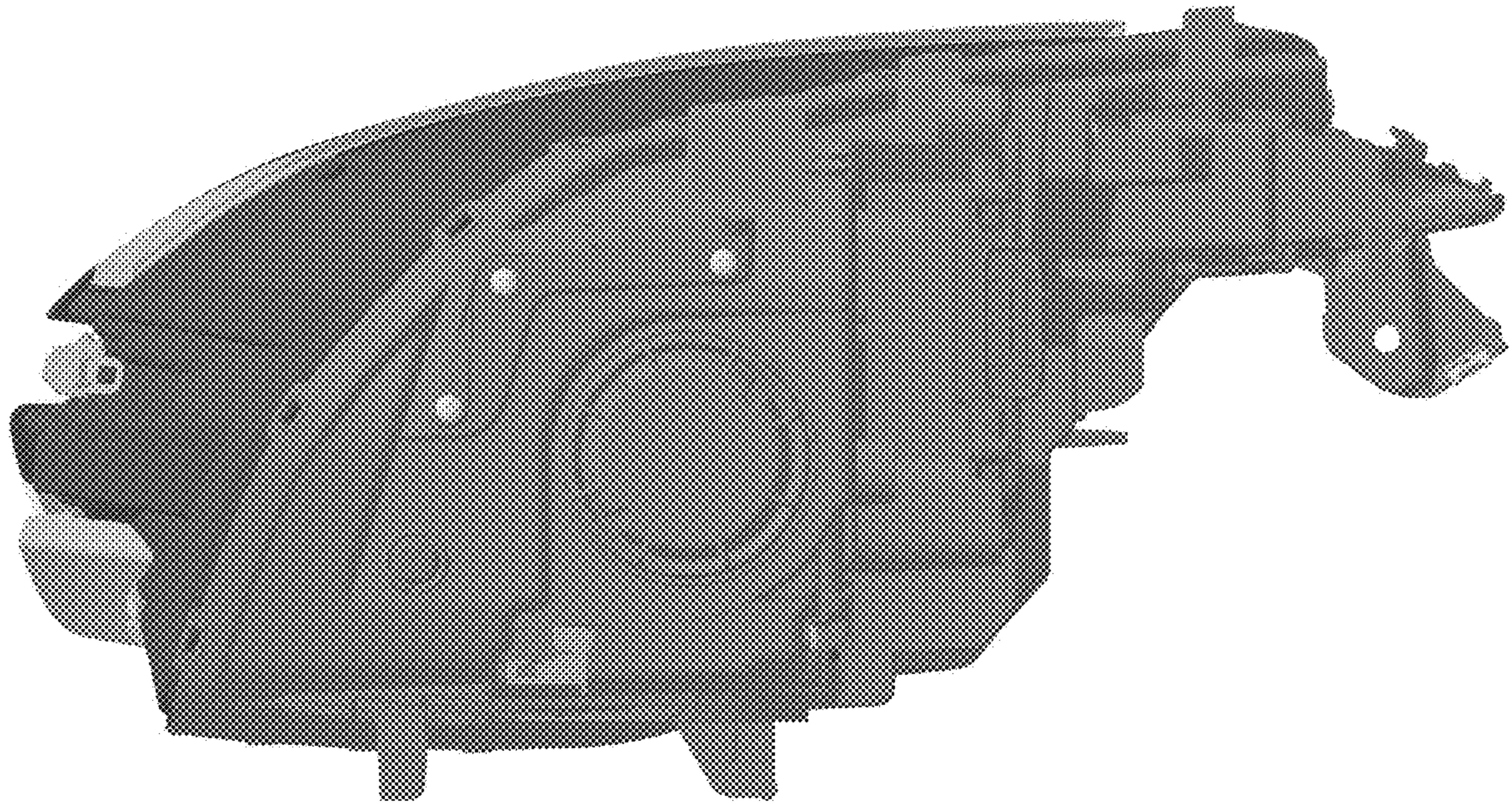
1.3



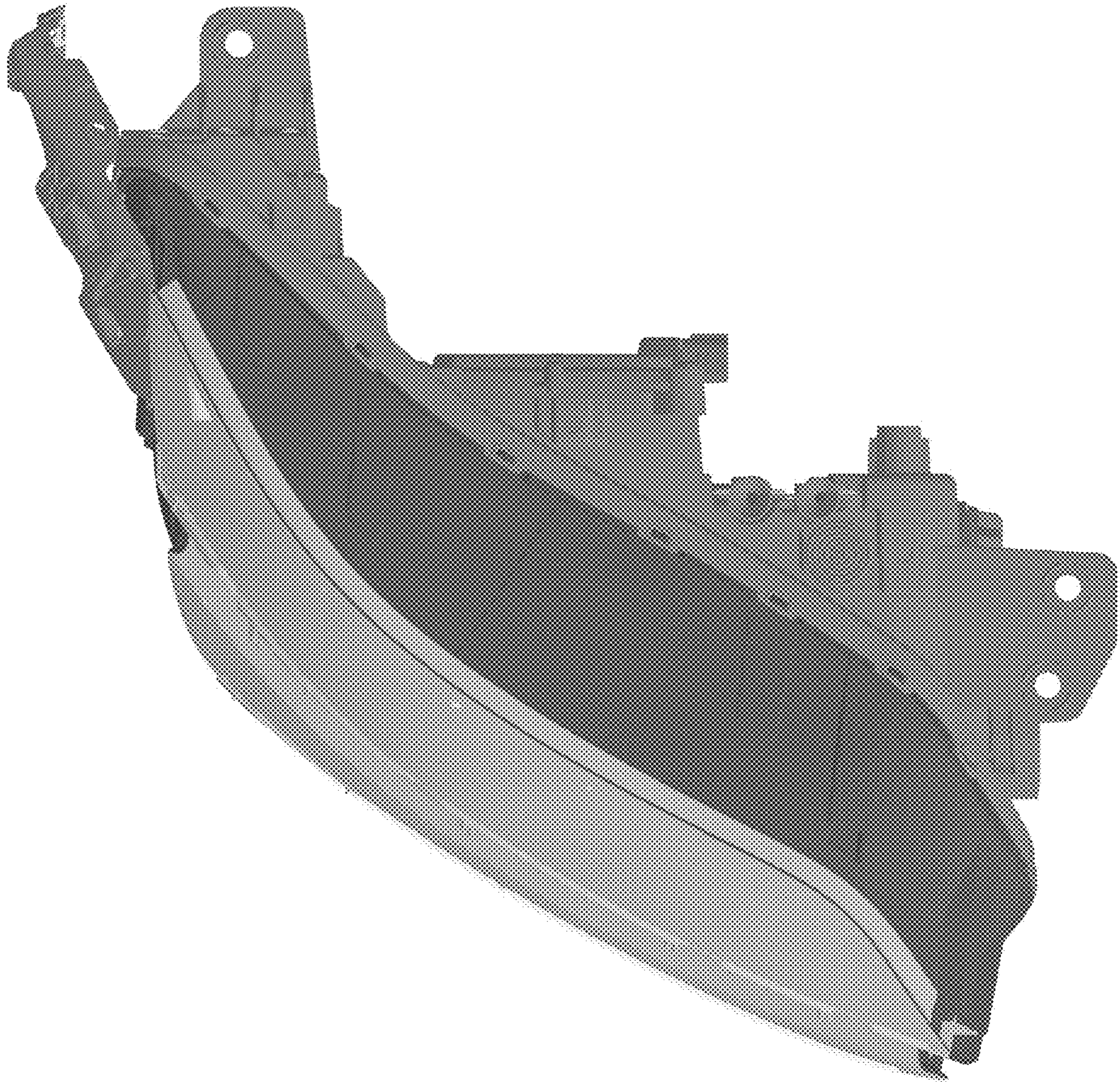
1.4



1.5



1.6



1.7

