



US00D980475S

(12) **United States Design Patent**  
**Lin**

(10) **Patent No.:** **US D980,475 S**  
(45) **Date of Patent:** **\*\* Mar. 7, 2023**

- (54) **CAR HEADLIGHT**
- (71) Applicant: **Jianpeng Lin**, Zhejiang (CN)
- (72) Inventor: **Jianpeng Lin**, Zhejiang (CN)
- (\*\*) Term: **15 Years**
- (21) Appl. No.: **29/868,140**
- (22) Filed: **Nov. 21, 2022**
- (51) **LOC (14) Cl.** ..... **26-06**
- (52) **U.S. Cl.**  
USPC ..... **D26/28**
- (58) **Field of Classification Search**  
USPC ..... D26/28, 29, 30, 31, 32, 33, 34, 35, 36,  
D26/139  
CPC ..... F21S 41/00; F21S 41/141; F21S 41/162;  
F21S 41/18; F21S 41/20; F21S 41/33;  
F21S 41/36; F21S 41/60; F21S 43/00;  
F21W 2103/35; F21W 2103/40; F21W  
2102/17; F21W 2102/30; F21W 2103/00;  
F21W 2103/55; F21W 2104/00; F21W  
2107/17; F21W 2107/13  
See application file for complete search history.

- (56) **References Cited**  
U.S. PATENT DOCUMENTS  
D593,233 S 5/2009 Bai  
D819,850 S \* 6/2018 Munakata ..... D26/28  
D842,506 S \* 3/2019 Kim ..... D26/28

|              |         |          |       |            |
|--------------|---------|----------|-------|------------|
| D857,953 S * | 8/2019  | Han      | ..... | F21S 43/00 |
|              |         |          |       | D26/28     |
| D870,936 S * | 12/2019 | Wu       | ..... | D26/28     |
| D890,380 S * | 7/2020  | Wu       | ..... | D26/28     |
| D908,937 S   | 1/2021  | Chen     |       |            |
| D909,638 S * | 2/2021  | Wu       | ..... | D26/28     |
| D912,862 S * | 3/2021  | Wu       | ..... | D26/28     |
| D914,255 S * | 3/2021  | Hong     | ..... | D26/28     |
| D942,658 S * | 2/2022  | Ha       | ..... | D26/28     |
| D951,501 S * | 5/2022  | Hirai    | ..... | D26/28     |
| D959,033 S * | 7/2022  | Wu       | ..... | D26/28     |
| D959,715 S * | 8/2022  | Langhals | ..... | D26/28     |
| D961,822 S * | 8/2022  | Jung     | ..... | D26/28     |

\* cited by examiner

*Primary Examiner* — Angela J Lee

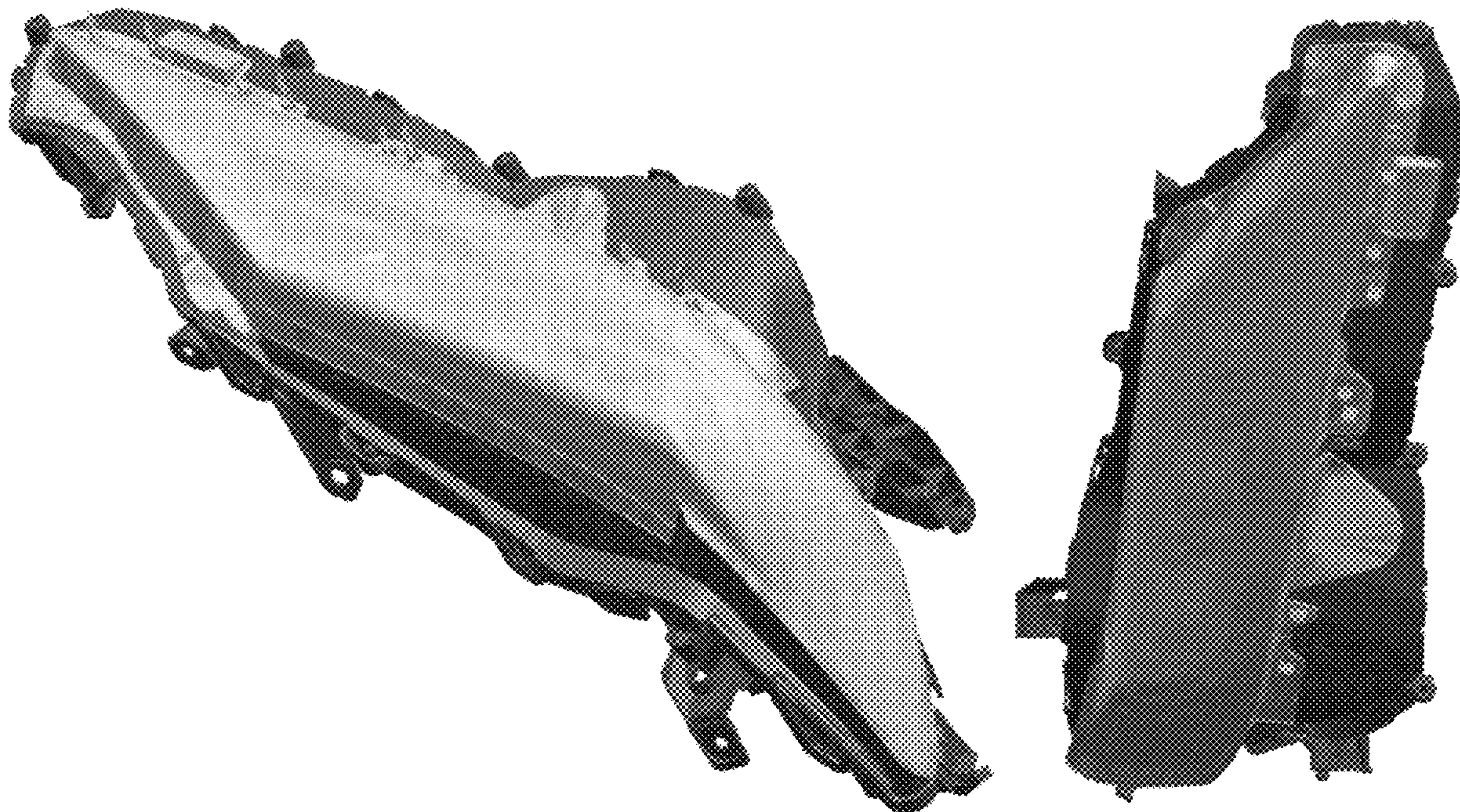
(57) **CLAIM**

The ornamental design for a car headlight, as shown and described.

**DESCRIPTION**

FIG. 1 is a top, front and right side perspective view of a car headlight, showing my new design;  
FIG. 2 is a bottom and left side perspective view thereof;  
FIG. 3 is a top plan view thereof;  
FIG. 4 is a bottom plan view thereof;  
FIG. 5 is a right side elevational view thereof;  
FIG. 6 is a left side elevational view thereof;  
FIG. 7 is a front elevational view thereof; and,  
FIG. 8 is a back elevational view thereof.

**1 Claim, 8 Drawing Sheets**





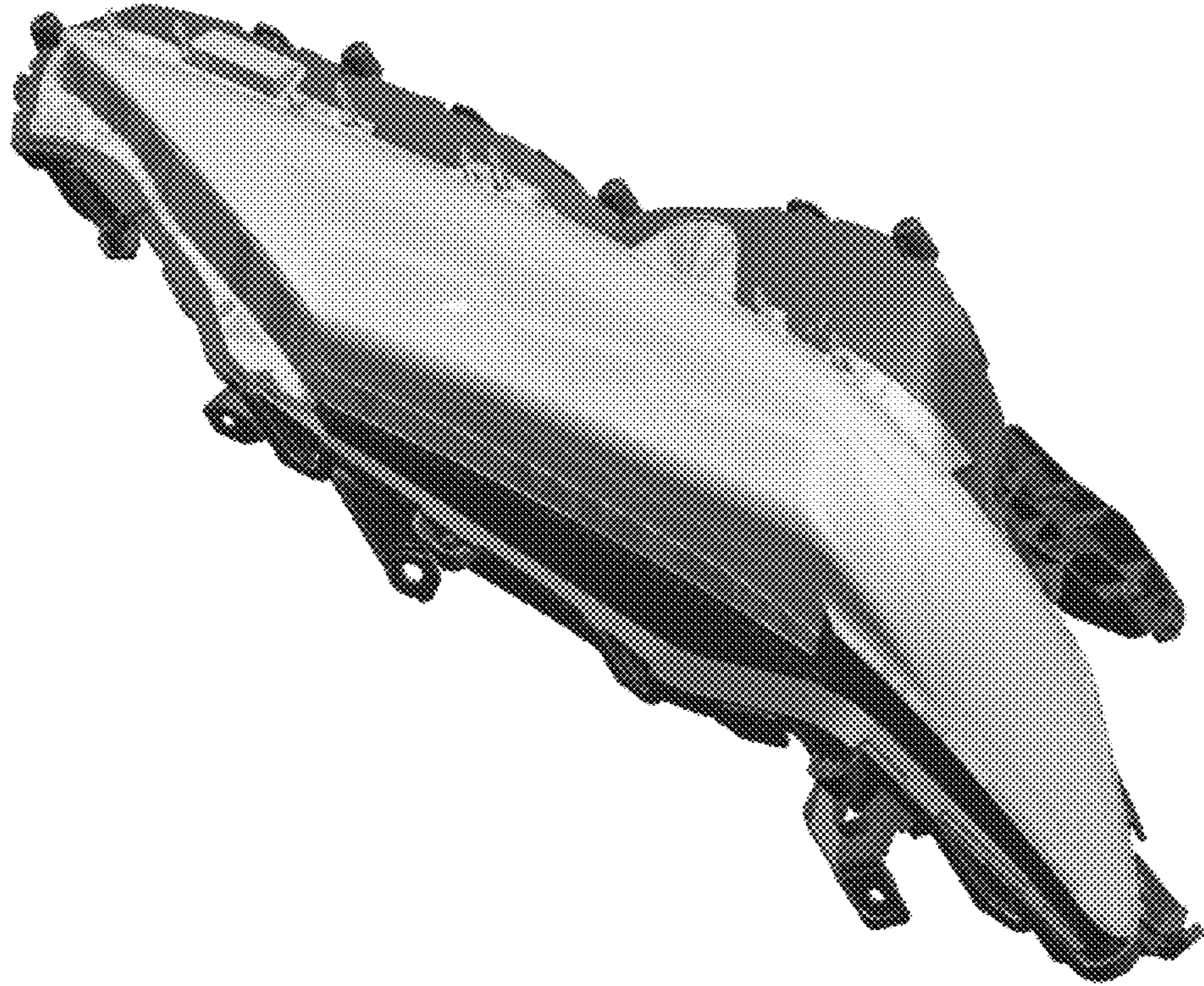


FIG. 1

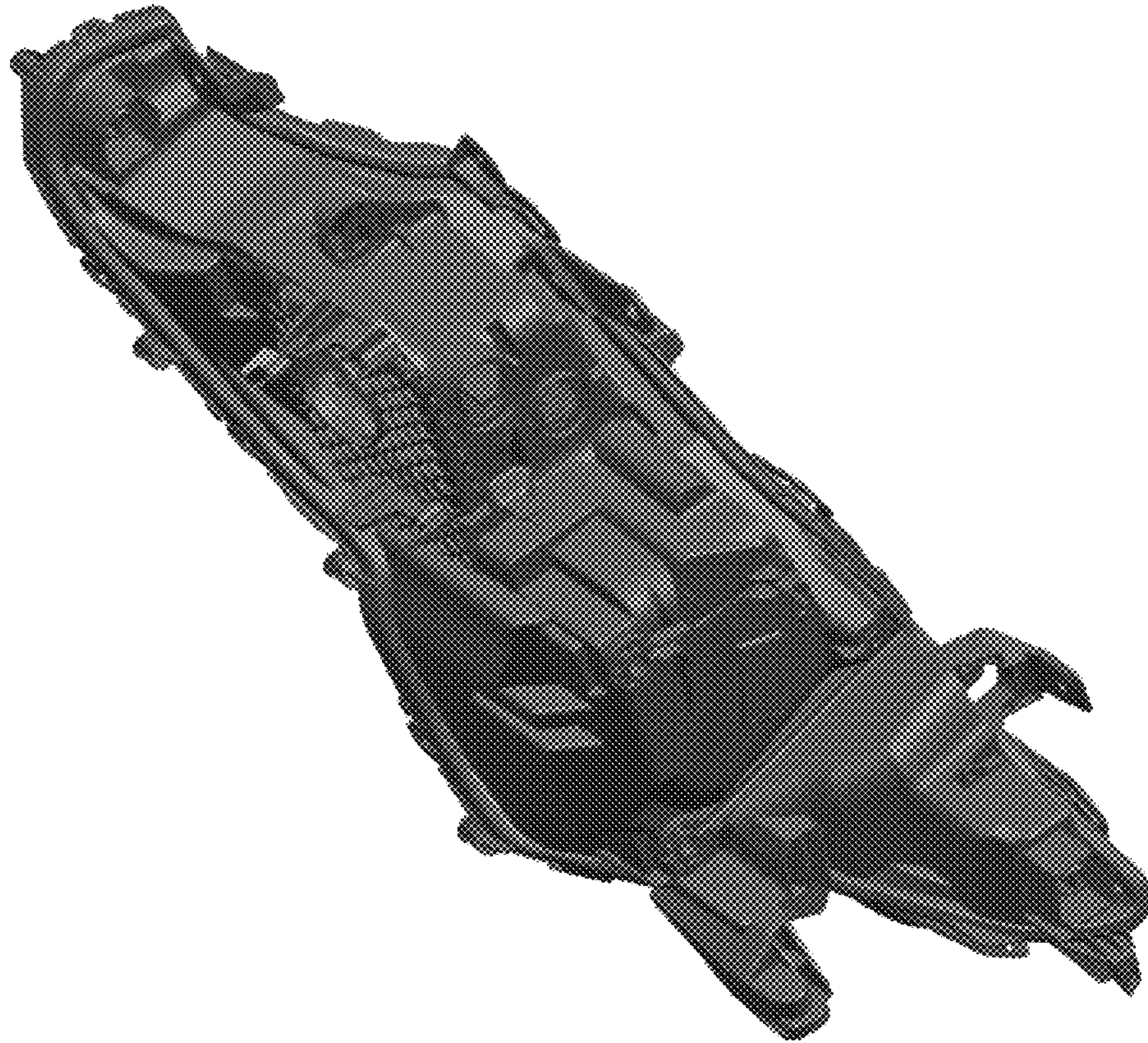


FIG. 2



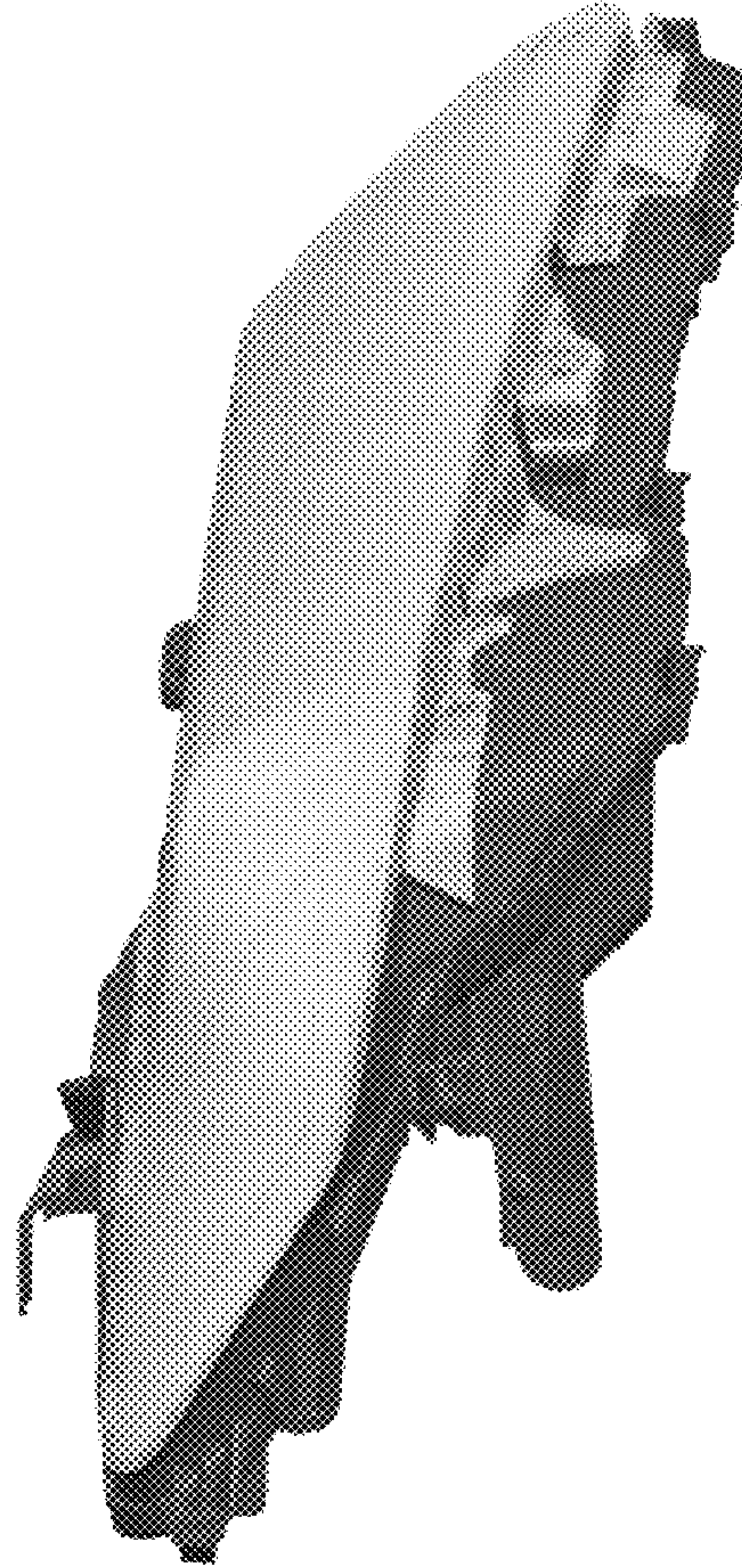


FIG. 3

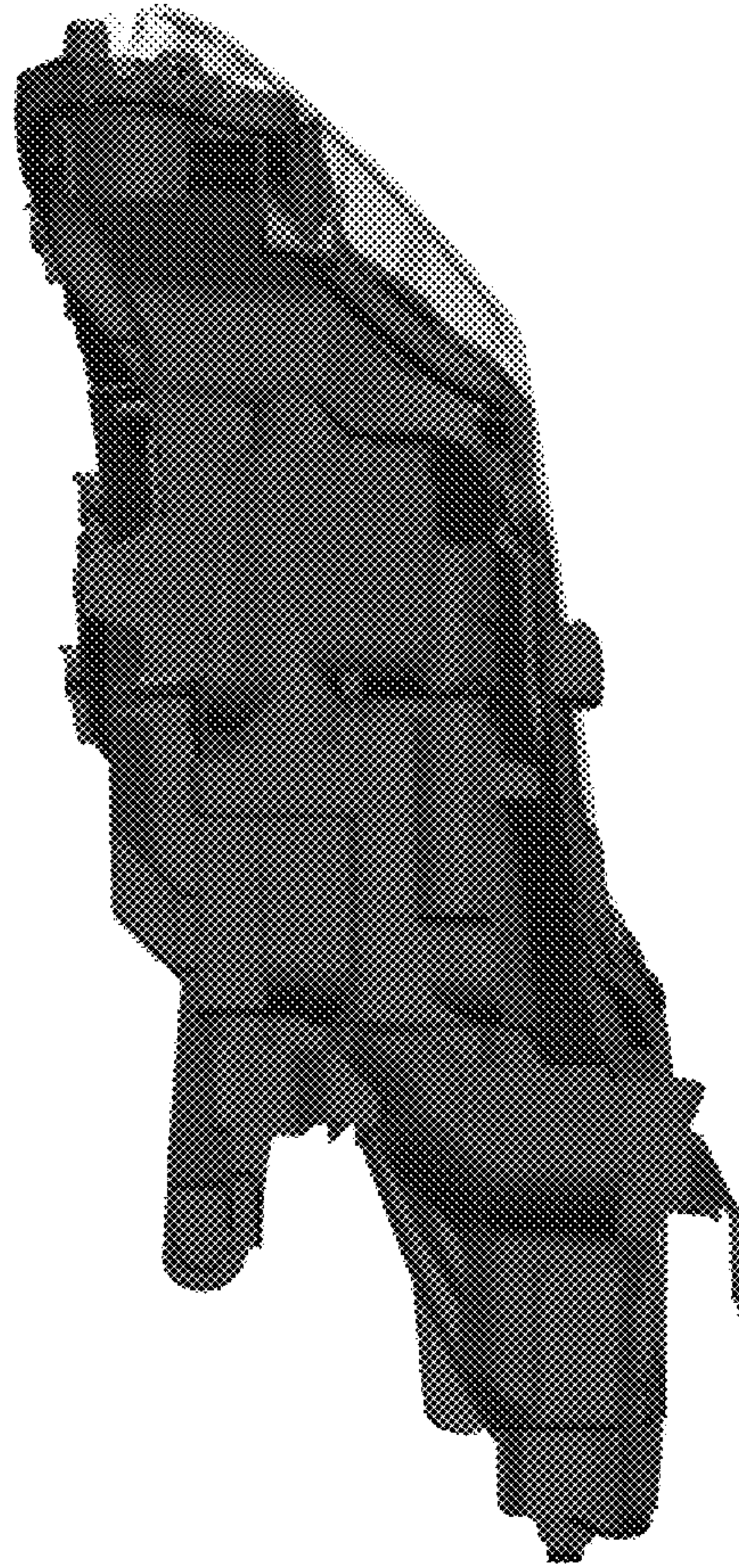


FIG. 4



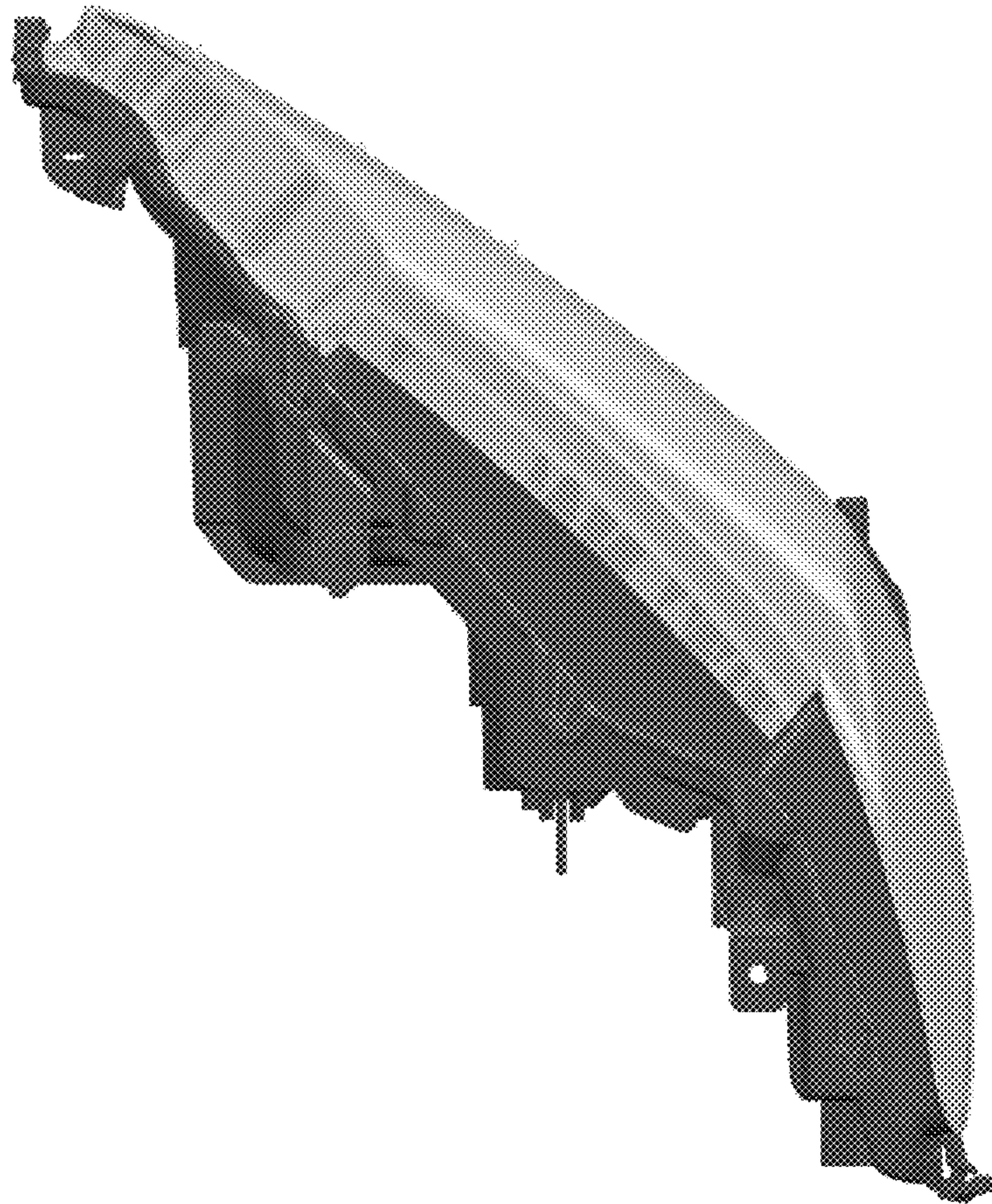


FIG. 5

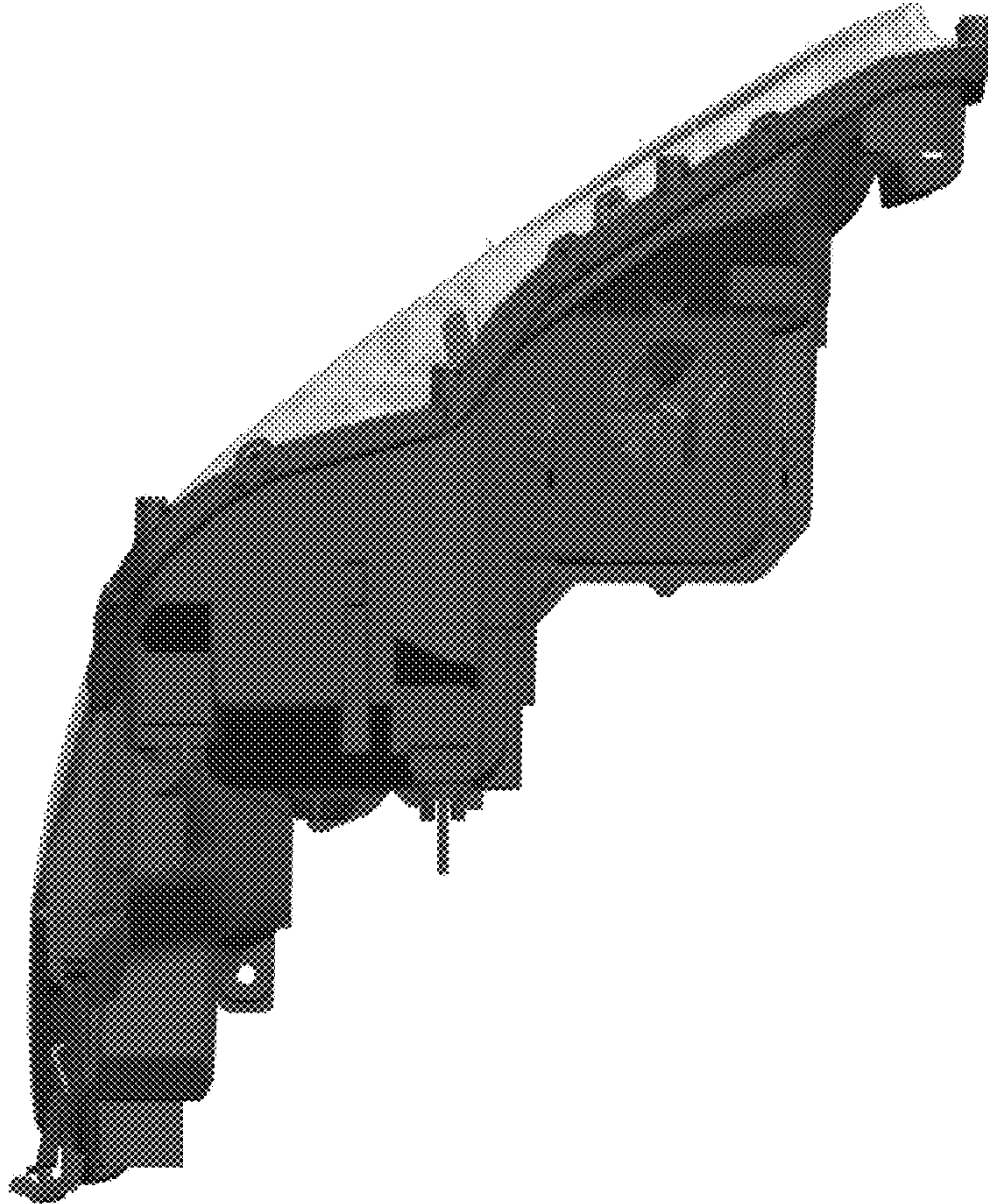


FIG. 6



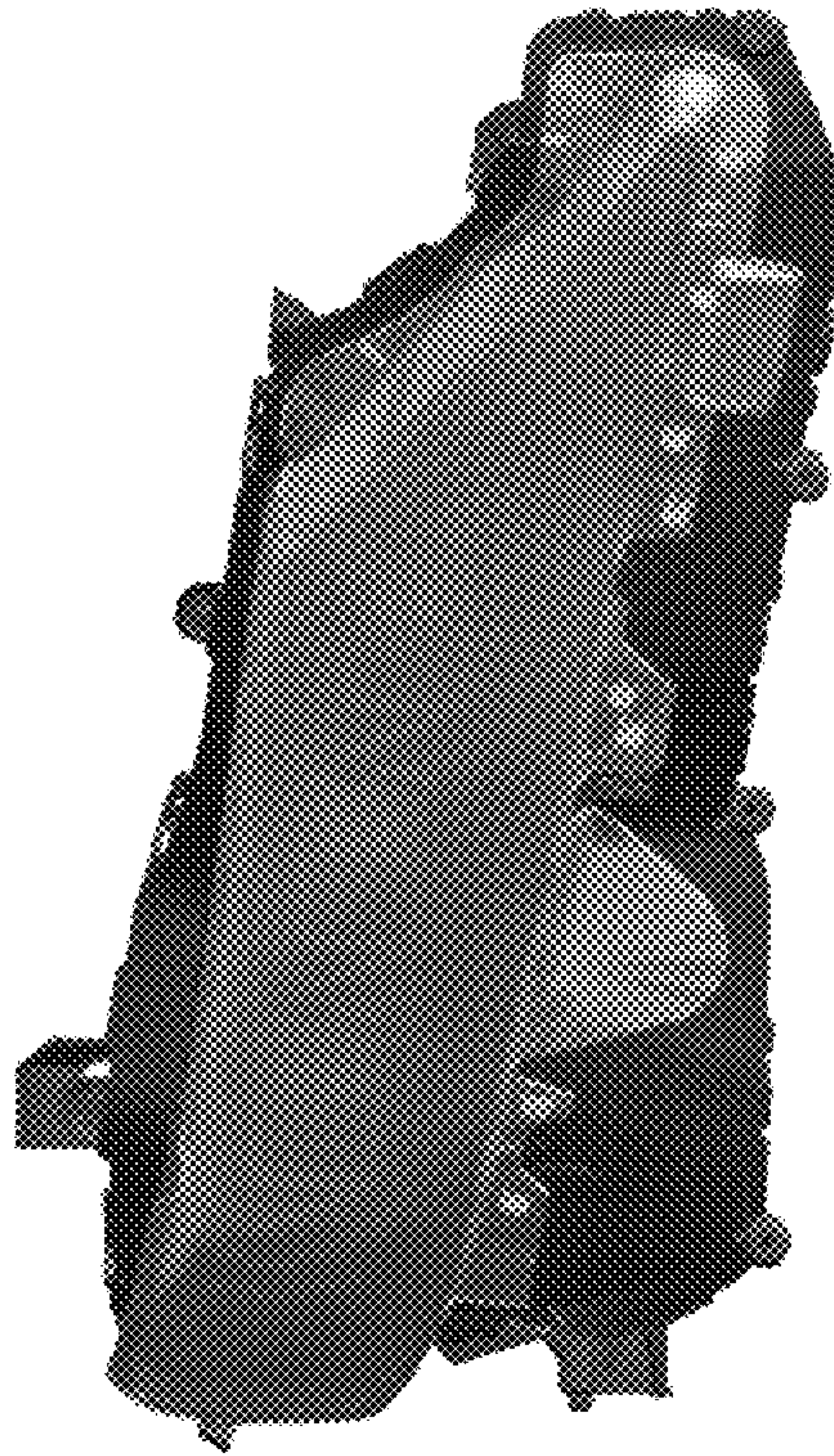


FIG. 7



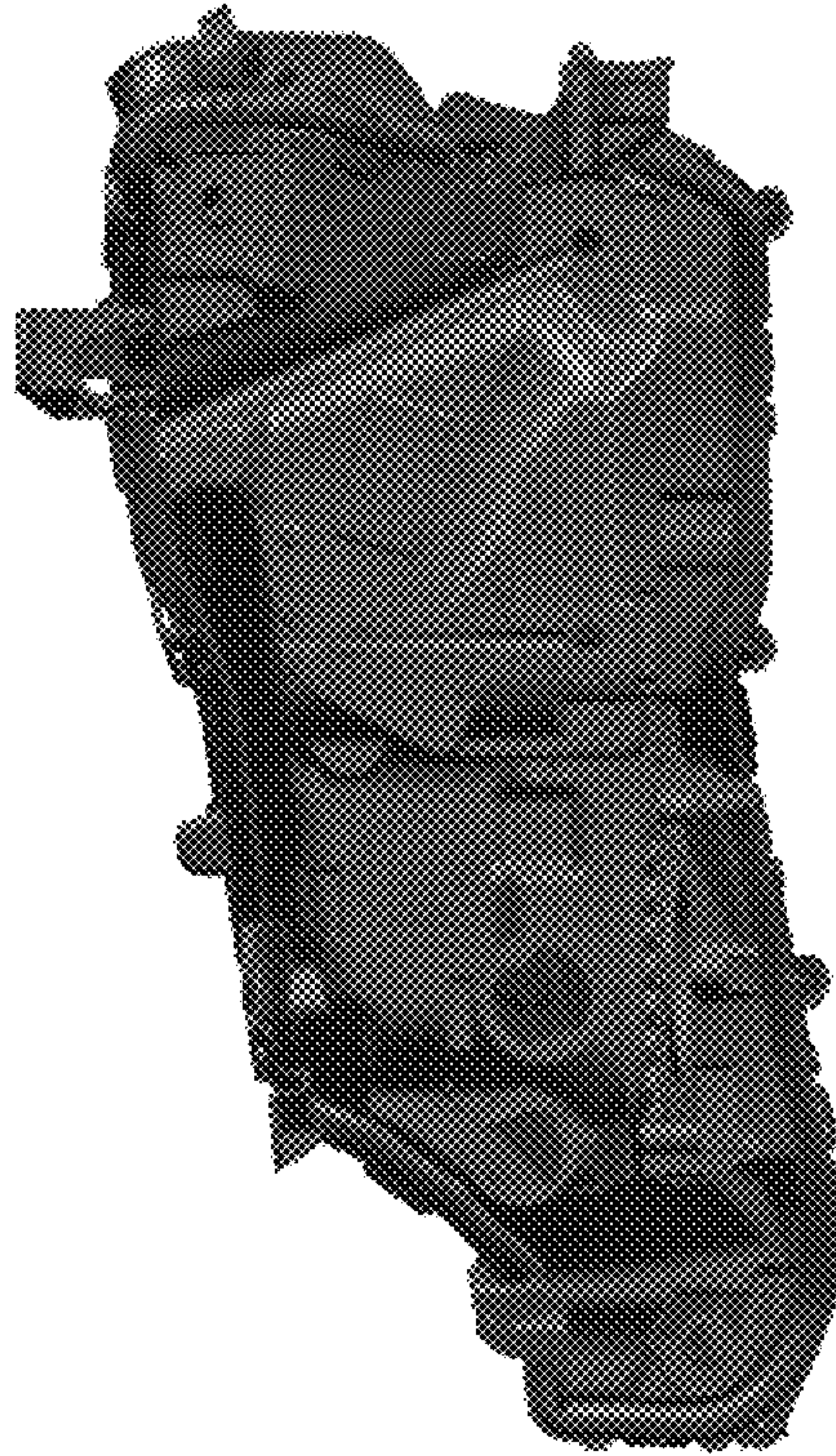


FIG. 8