



US00D980474S

(12) **United States Design Patent**  
**Ke et al.**

(10) **Patent No.:** **US D980,474 S**

(45) **Date of Patent:** **\*\* Mar. 7, 2023**

(54) **BICYCLE TAILLIGHT**

(71) Applicant: **DONGGUAN ANTUSHI ELECTRONIC TECHNOLOGY CO., LTD.**, Dongguan (CN)

(72) Inventors: **Yugang Ke**, Guangzhou (CN); **Xijian Li**, Yueyang (CN)

(73) Assignee: **DONGGUAN ANTUSHI ELECTRONIC TECHNOLOGY CO., LTD.**, Dongguan (CN)

(\*\*) Term: **15 Years**

(21) Appl. No.: **29/816,861**

(22) Filed: **Nov. 25, 2021**

(51) **LOC (14) Cl.** ..... **26-06**

(52) **U.S. Cl.**  
USPC ..... **D26/28**

(58) **Field of Classification Search**  
USPC ..... D26/28-36, 139  
CPC ..... F21V 5/00; F21V 21/04; F21V 29/004;  
F21W 2102/17; F21W 2103/00; F21W 2103/35; F21W 2103/55; F21W 2107/13;  
F21W 2107/17

See application file for complete search history.

(56) **References Cited**

**U.S. PATENT DOCUMENTS**

|              |         |          |       |        |
|--------------|---------|----------|-------|--------|
| D300,864 S * | 4/1989  | Titmarsh | ..... | D26/24 |
| D324,577 S * | 3/1992  | Tsuyama  | ..... | D26/46 |
| D574,978 S * | 8/2008  | Hyodo    | ..... | D26/28 |
| D636,508 S   | 4/2011  | Nagano   |       |        |
| D738,019 S * | 9/2015  | Lin      | ..... | D26/28 |
| D745,727 S   | 12/2015 | Ruthling |       |        |
| D857,263 S * | 8/2019  | Goodrich | ..... | D26/28 |
| D863,617 S * | 10/2019 | Lindholm | ..... | D26/63 |

|              |        |              |       |        |
|--------------|--------|--------------|-------|--------|
| D911,561 S * | 2/2021 | Heggland     | ..... | D26/60 |
| D919,148 S * | 5/2021 | Shirota      | ..... | D26/60 |
| D944,428 S * | 2/2022 | Tang         | ..... | D26/28 |
| D959,035 S * | 7/2022 | Kentley-Klay | ..... | D26/28 |
| D960,412 S * | 8/2022 | Ke           | ..... | D26/28 |
| D961,821 S * | 8/2022 | Ke           | ..... | D26/28 |

**OTHER PUBLICATIONS**

Gelielim, Published Dec. 17, 2021 [online], [retrieved on Sep. 13, 2022]. Retrieved from the Internet: <https://www.amazon.com/Gelielim-Sensing-Rechargeable-Waterproof-Bicycle/dp/B09NRC7G1K> (Year: 2021).\*

\* cited by examiner

*Primary Examiner* — Cary M Robinson

*Assistant Examiner* — Adam C Mager

(57) **CLAIM**

The ornamental design for a bicycle taillight, as shown and described.

**DESCRIPTION**

FIG. 1 is a perspective view of a bicycle taillight showing our new design;

FIG. 2 is another perspective view thereof;

FIG. 3 is a front elevational view thereof;

FIG. 4 is a rear elevational view thereof;

FIG. 5 is a left side elevational view thereof;

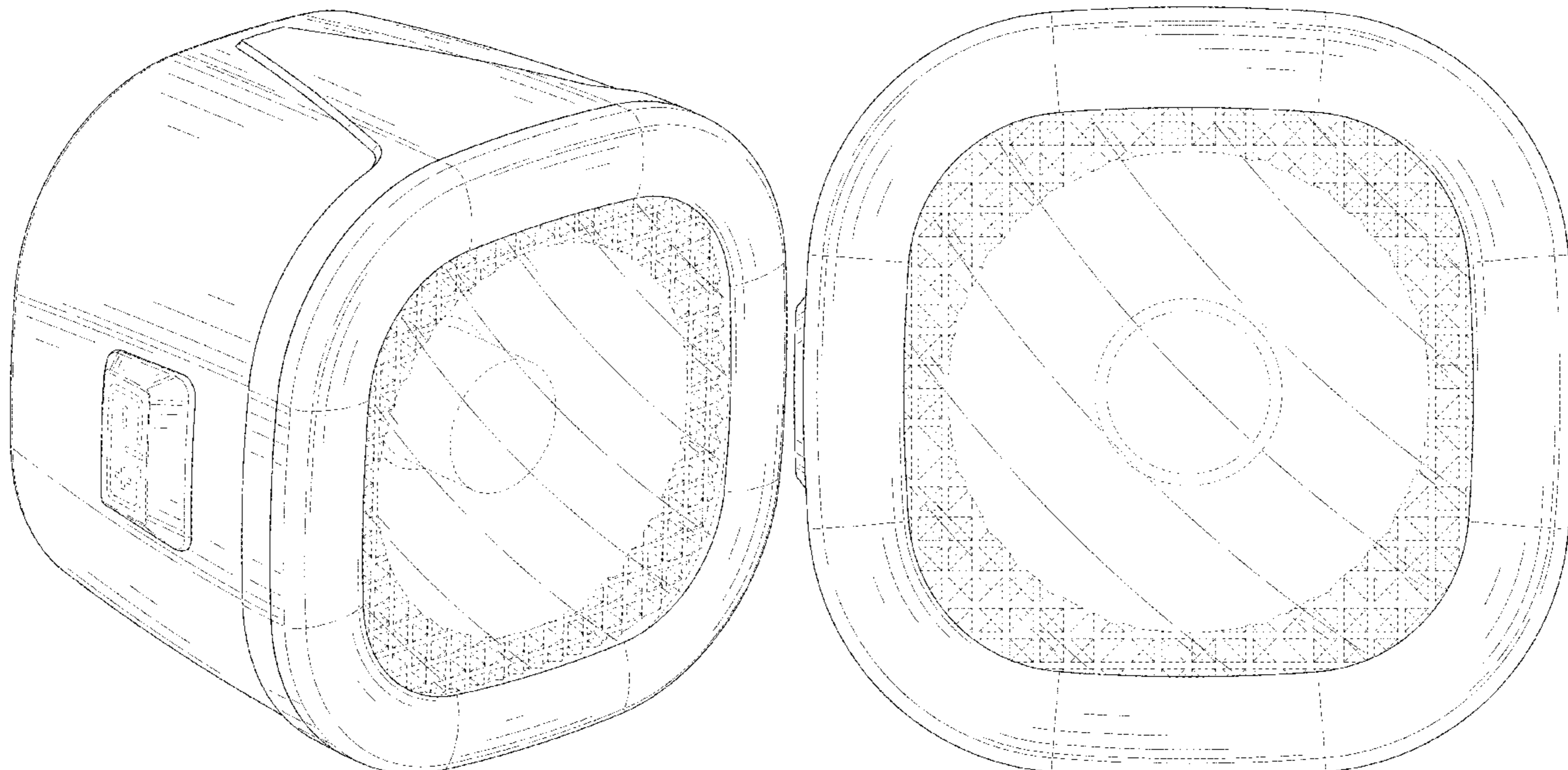
FIG. 6 is a right side elevational view thereof;

FIG. 7 is a top plan view thereof; and,

FIG. 8 is a bottom plan view thereof.

The broken lines in the drawings depict portions of the bicycle taillight that form no part of the claimed design.

**1 Claim, 8 Drawing Sheets**



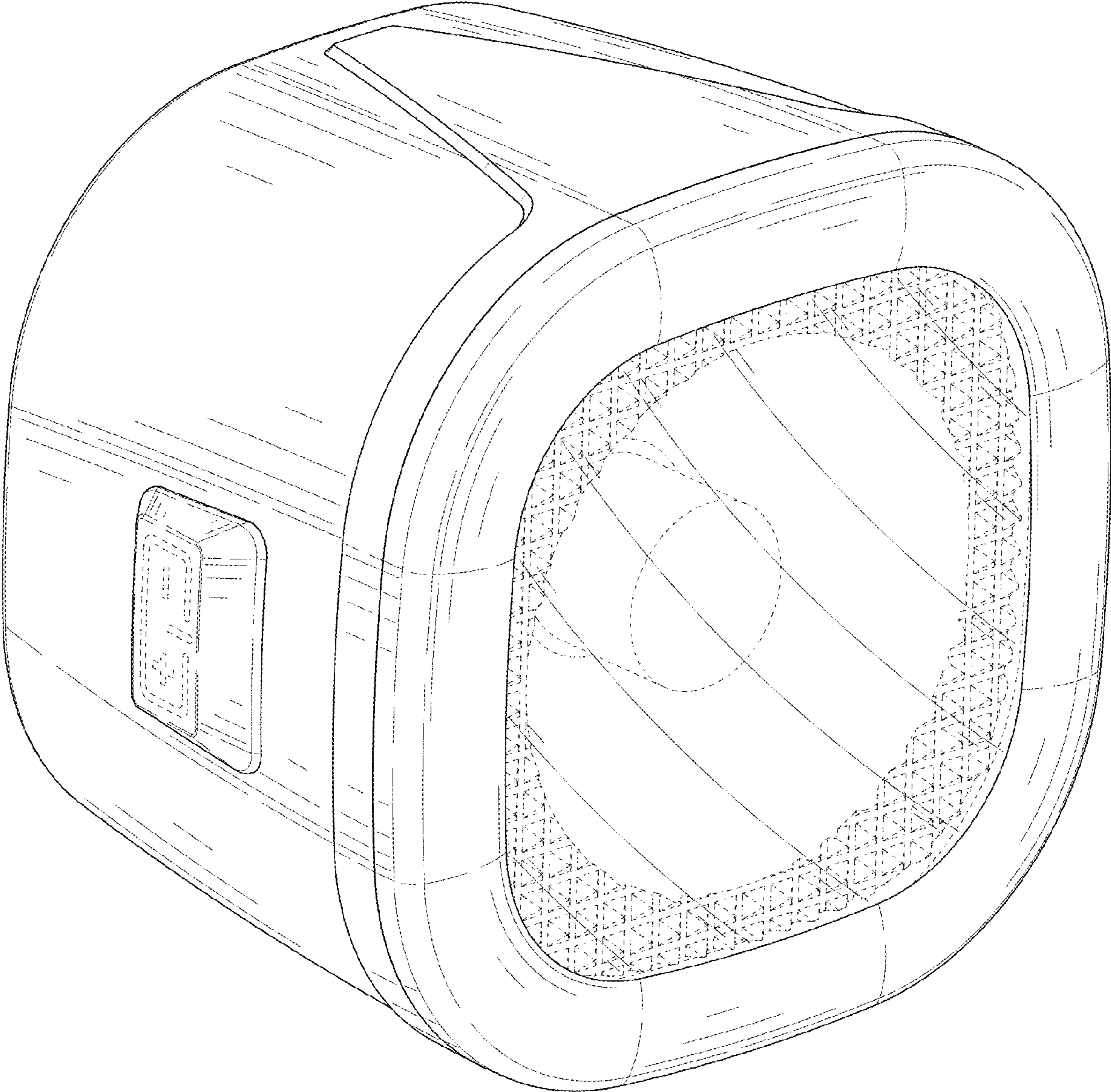


FIG. 1

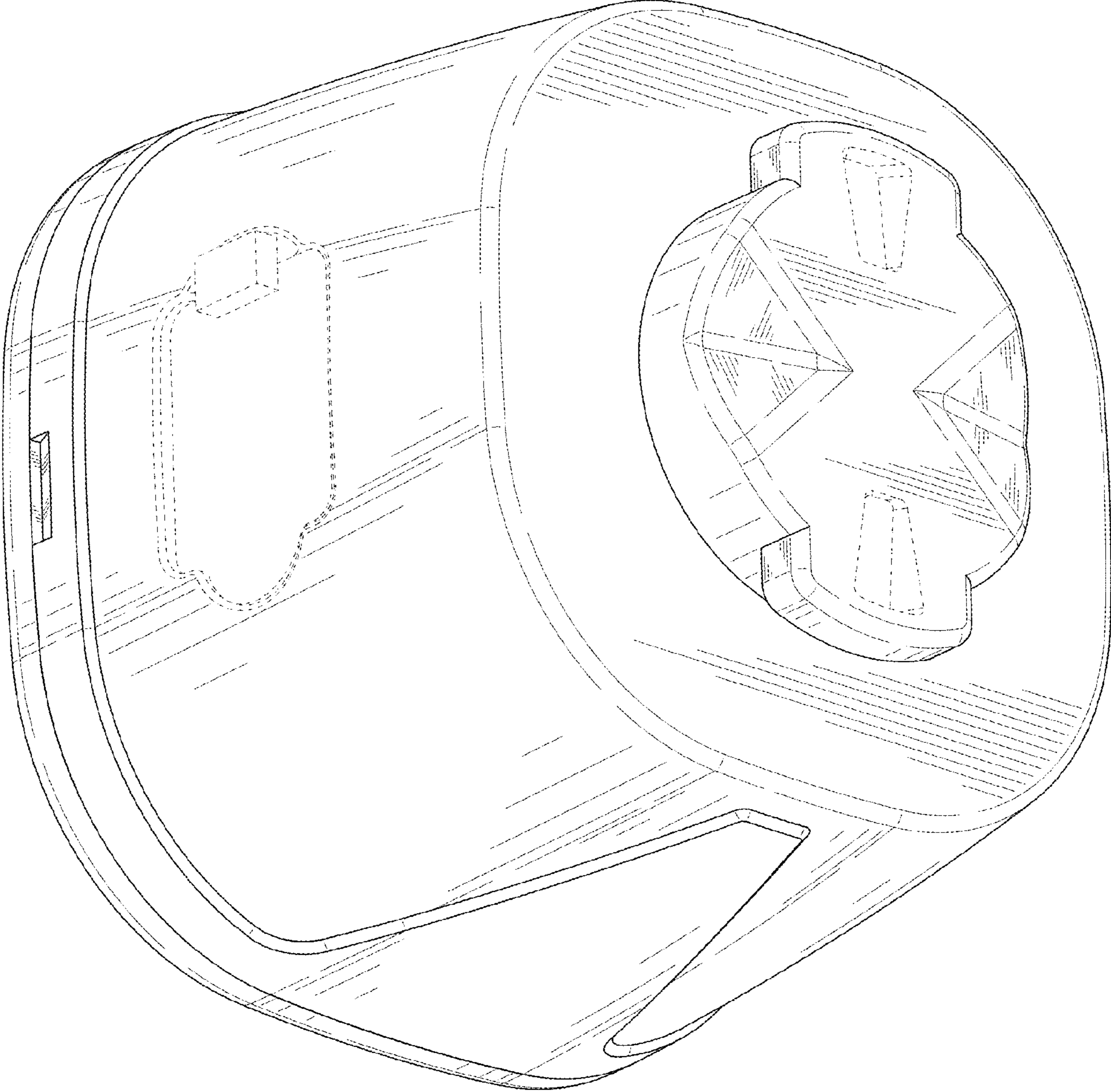


FIG. 2

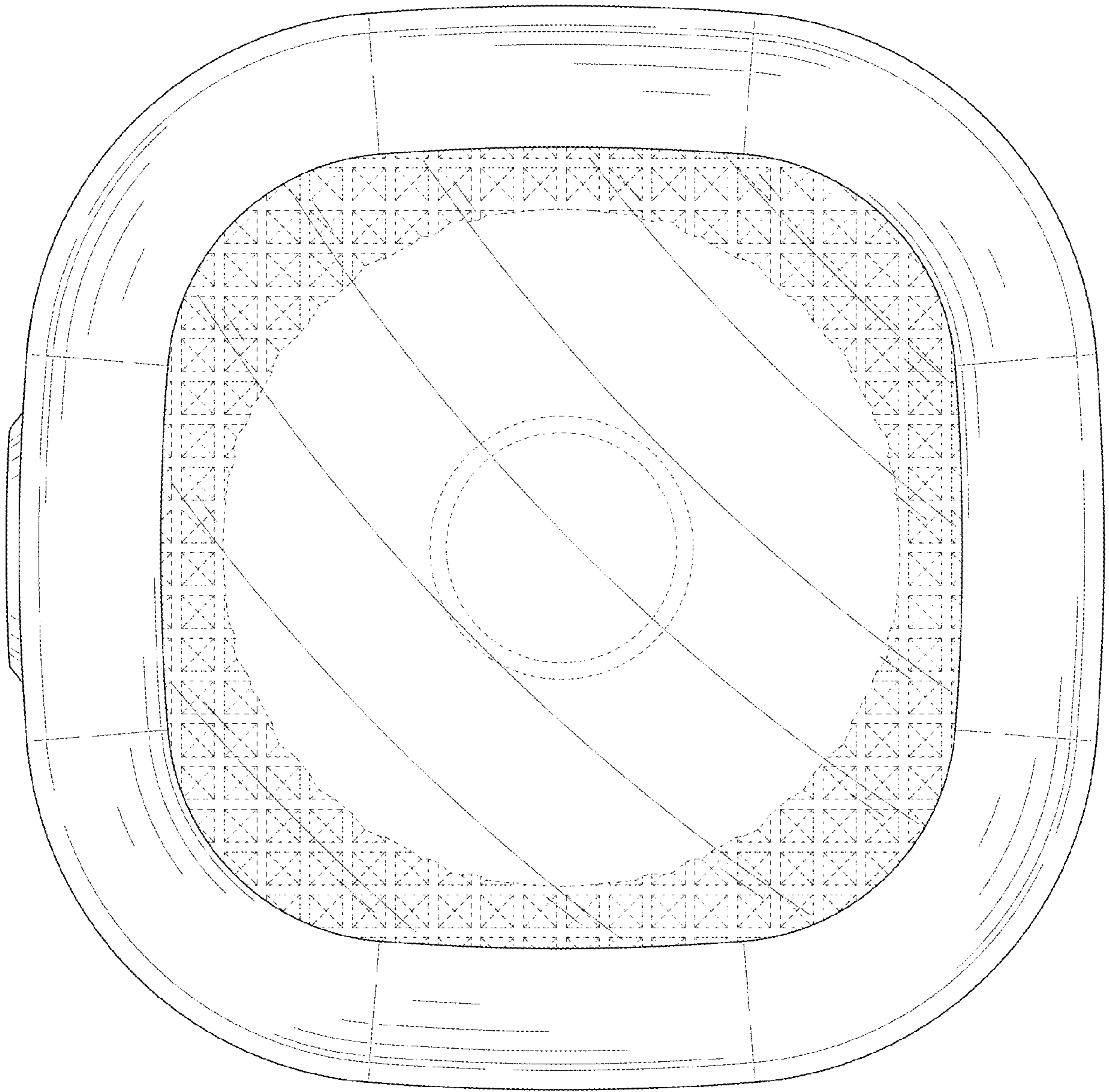


FIG. 3

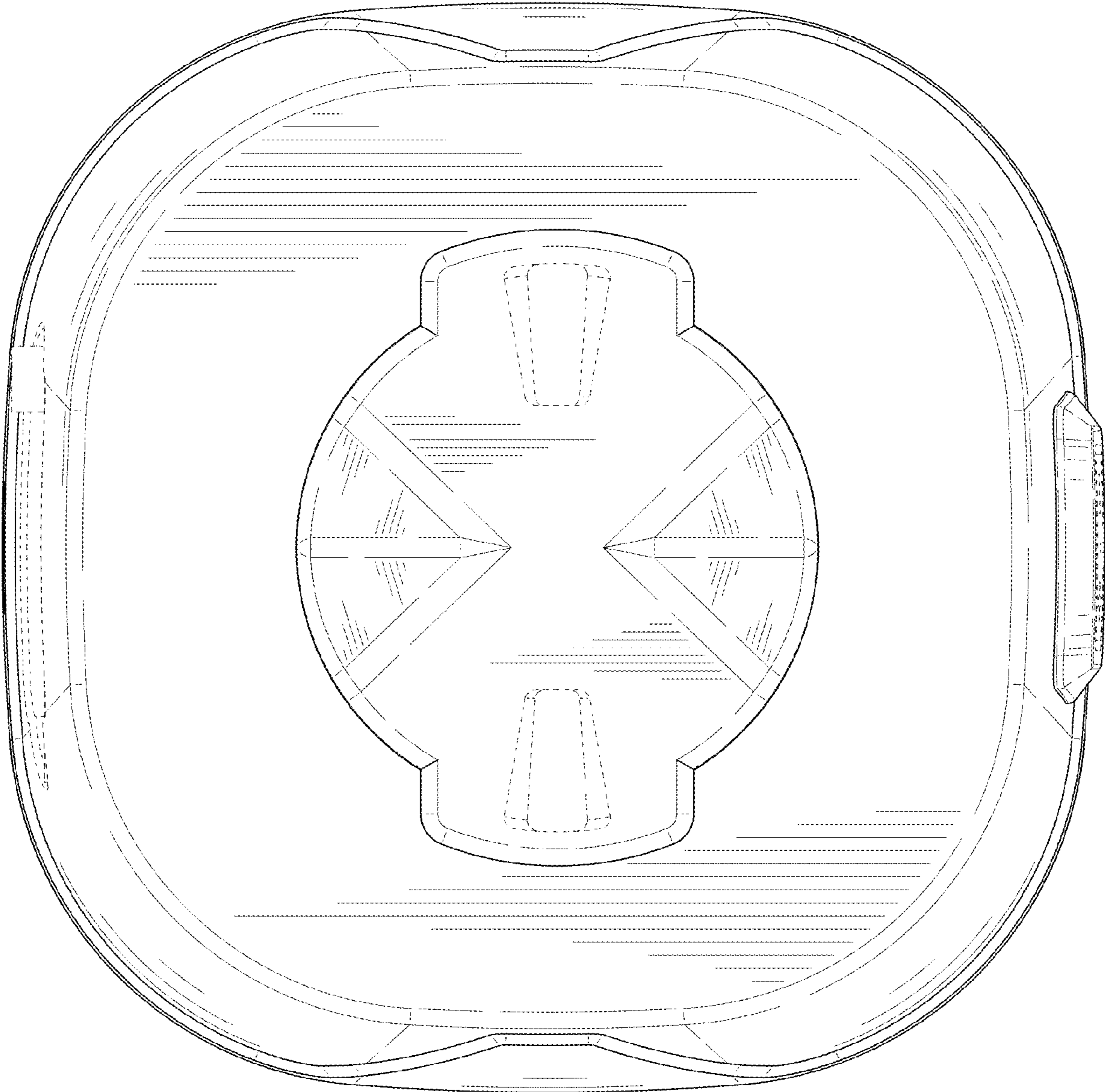


FIG. 4

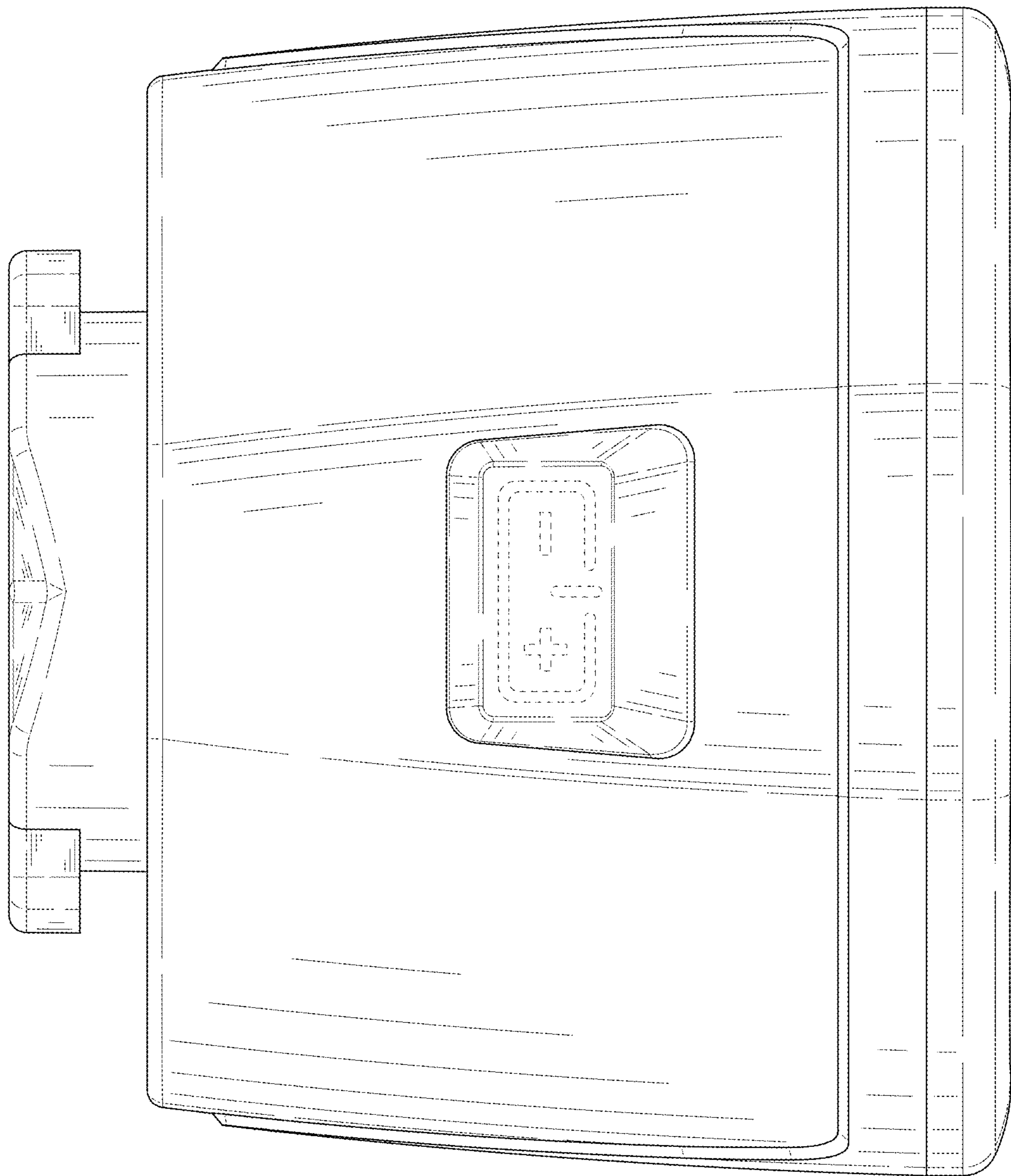


FIG. 5

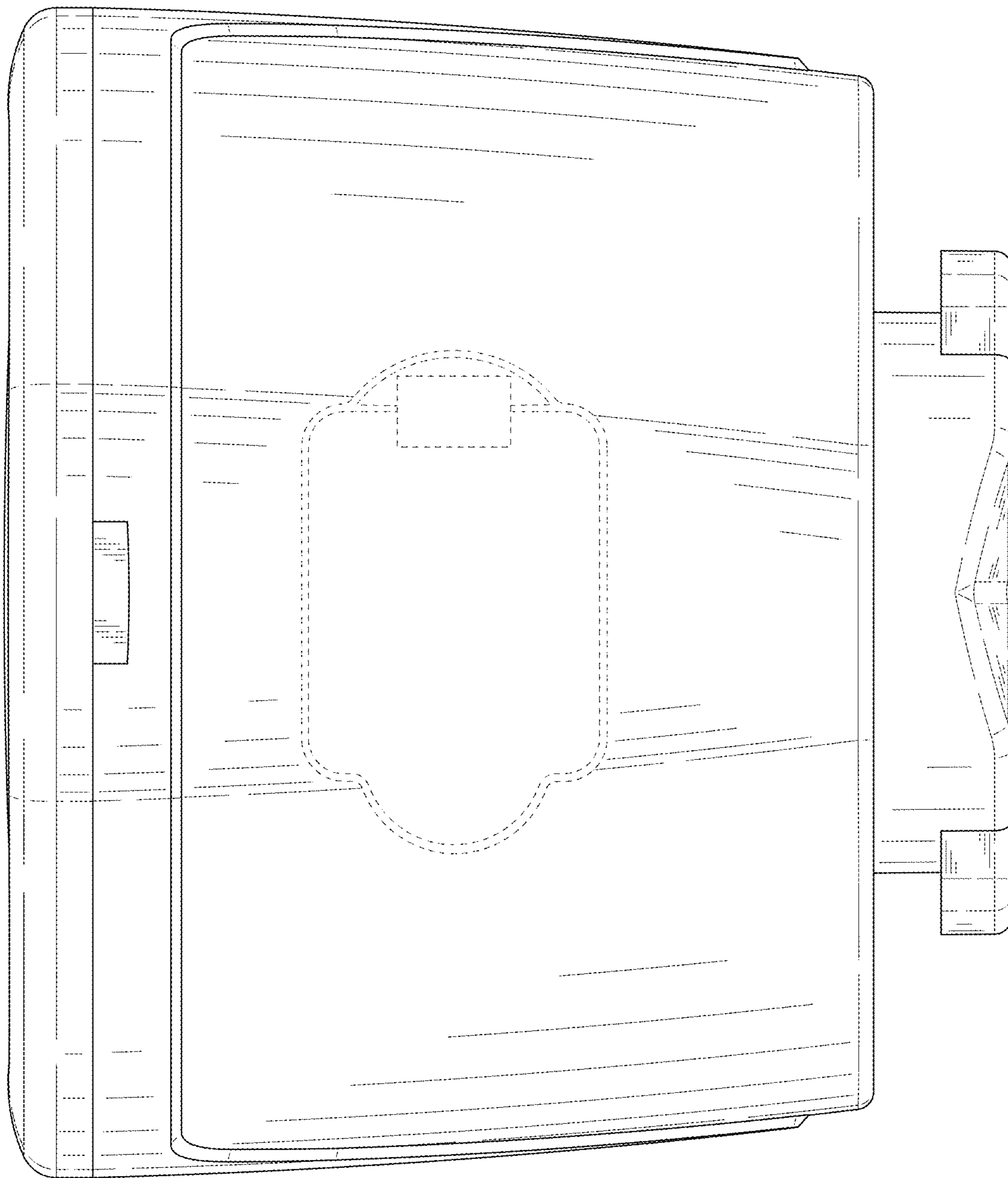


FIG. 6

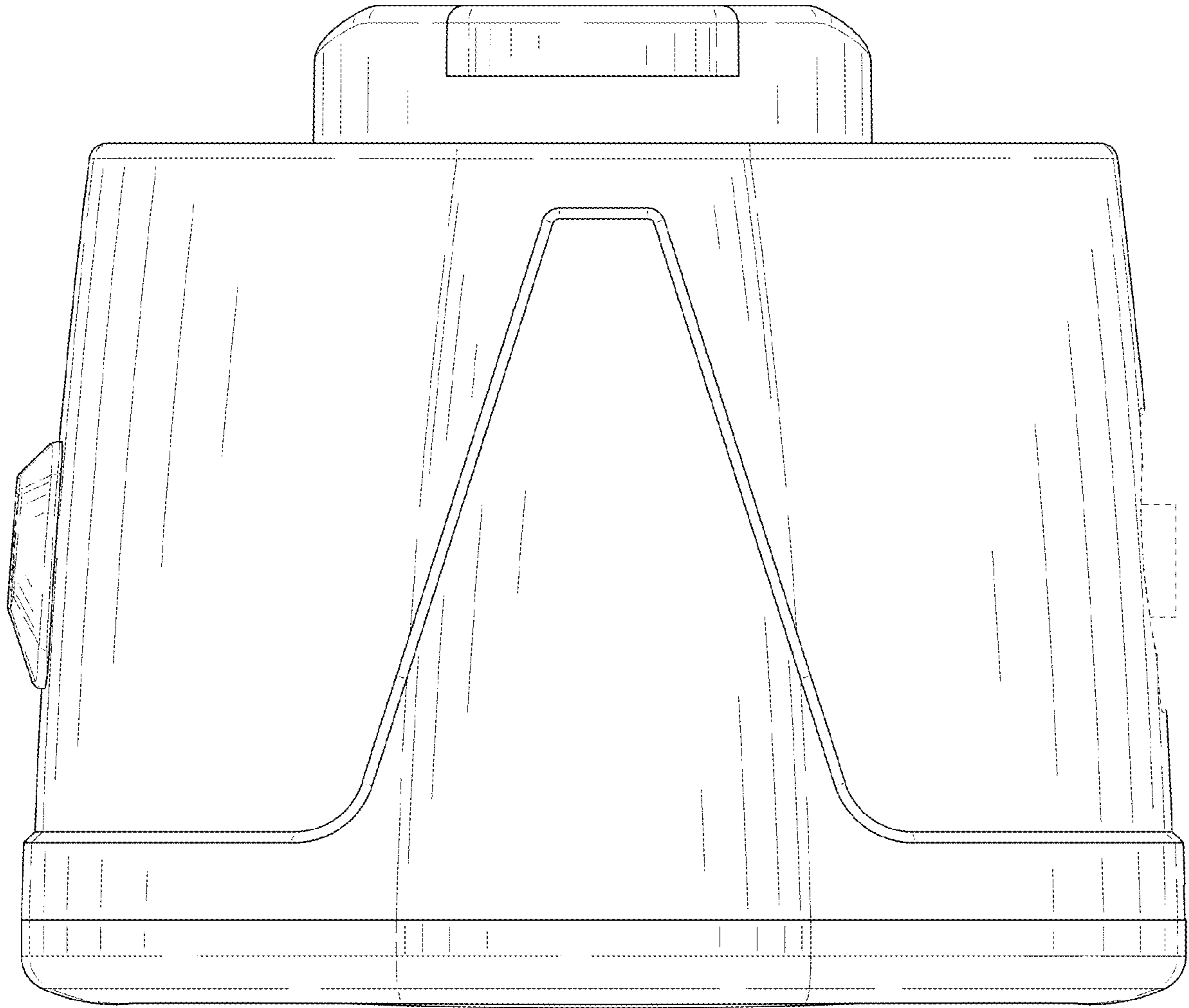


FIG. 7



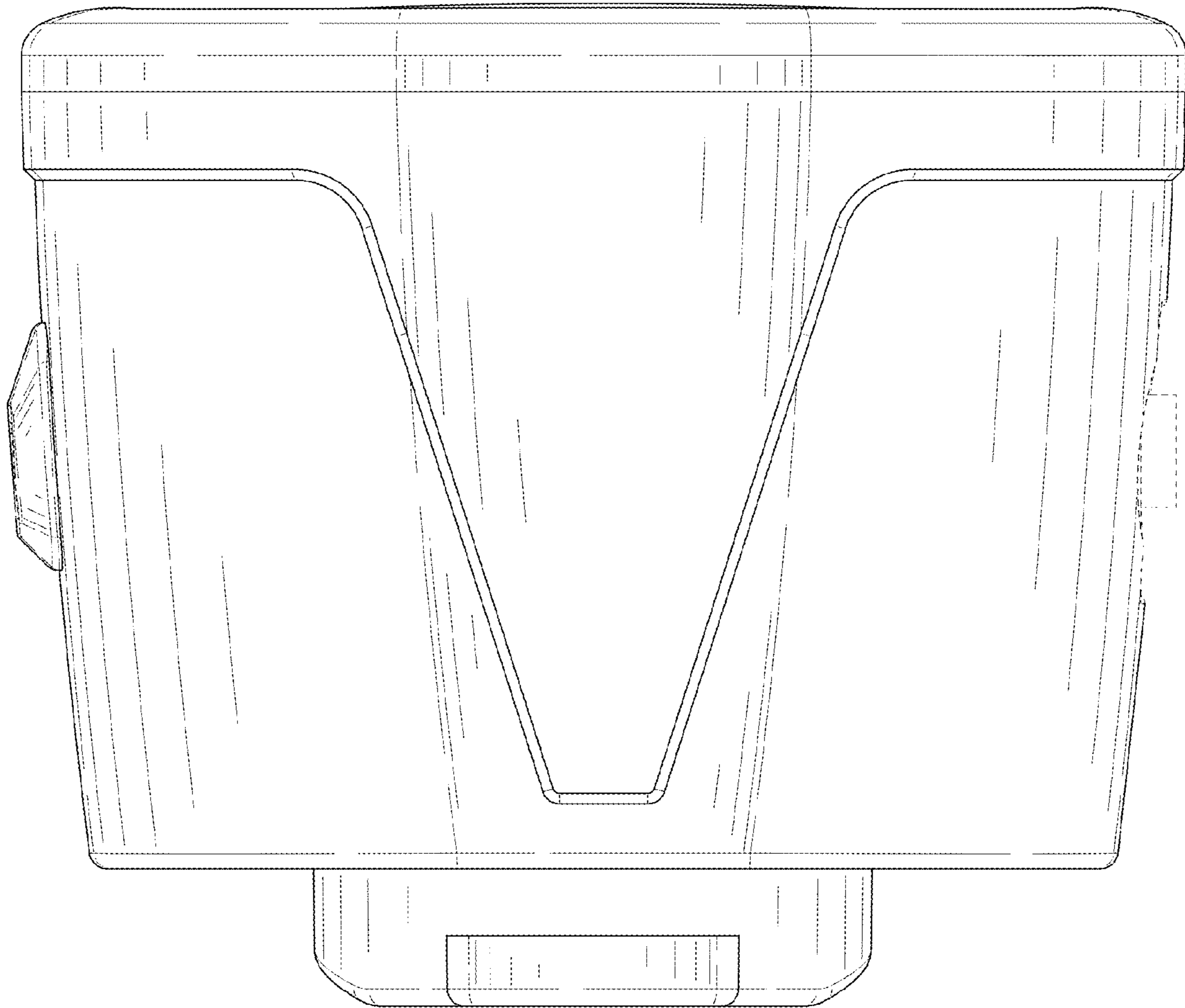


FIG. 8