



US00D980470S

(12) **United States Design Patent**  
**Wu**

(10) **Patent No.:** **US D980,470 S**  
(45) **Date of Patent:** **\*\* Mar. 7, 2023**

- (54) **VEHICLE LIGHT**
- (71) Applicant: **COPLUS INC.**, Tainan (TW)
- (72) Inventor: **Po-Hua Wu**, Tainan (TW)
- (73) Assignee: **COPLUS INC.**, Tainan (TW)
- (\*\*) Term: **15 Years**

D893,771 S *	8/2020	Lin	.....	D26/28
D919,135 S *	5/2021	Yu	.....	D26/28
D926,506 S *	8/2021	Li	.....	D6/692
D928,363 S *	8/2021	Lin	.....	D26/28
D930,858 S *	9/2021	Yang	.....	D26/28
D935,650 S *	11/2021	Wu	.....	D26/28
D936,869 S *	11/2021	Wu	.....	D26/28
D936,875 S *	11/2021	Wu	.....	D26/28

\* cited by examiner

- (21) Appl. No.: **29/741,620**
- (22) Filed: **Jul. 14, 2020**

*Primary Examiner* — Marissa J Cash  
*Assistant Examiner* — William B Melliar  
 (74) *Attorney, Agent, or Firm* — Lewis Roca Rothgerber  
 Christie LLP

(30) **Foreign Application Priority Data**

May 7, 2020 (TW) ..... 109302434

- (51) **LOC (14) Cl.** ..... **26-06**
- (52) **U.S. Cl.**  
USPC ..... **D26/28**

(57) **CLAIM**

The ornamental design for a vehicle light, as shown and described.

(58) **Field of Classification Search**

USPC ..... D26/28, 29, 30, 31, 32, 33, 34, 35, 36  
 CPC ..... F21S 41/00; F21S 41/141; F21S 41/162;  
 F21S 41/20; F21S 41/18; F21S 41/33;  
 F21S 41/36; F21S 41/60; F21S 43/00;  
 F21V 21/04; F21W 2103/35; F21W  
 2103/40; F21W 2104/00; F21W 2107/17;  
 F21W 2107/13

**DESCRIPTION**

FIG. 1 is a perspective view of the vehicle light;  
 FIG. 2 is a front view thereof;  
 FIG. 3 is a rear view thereof;  
 FIG. 4 is a side view thereof;  
 FIG. 5 is another side view thereof;  
 FIG. 6 is a top view thereof; and,  
 FIG. 7 is a bottom view thereof.  
 The broken lines in the drawings depict portions of the  
 vehicle light that form no part of the claimed design.

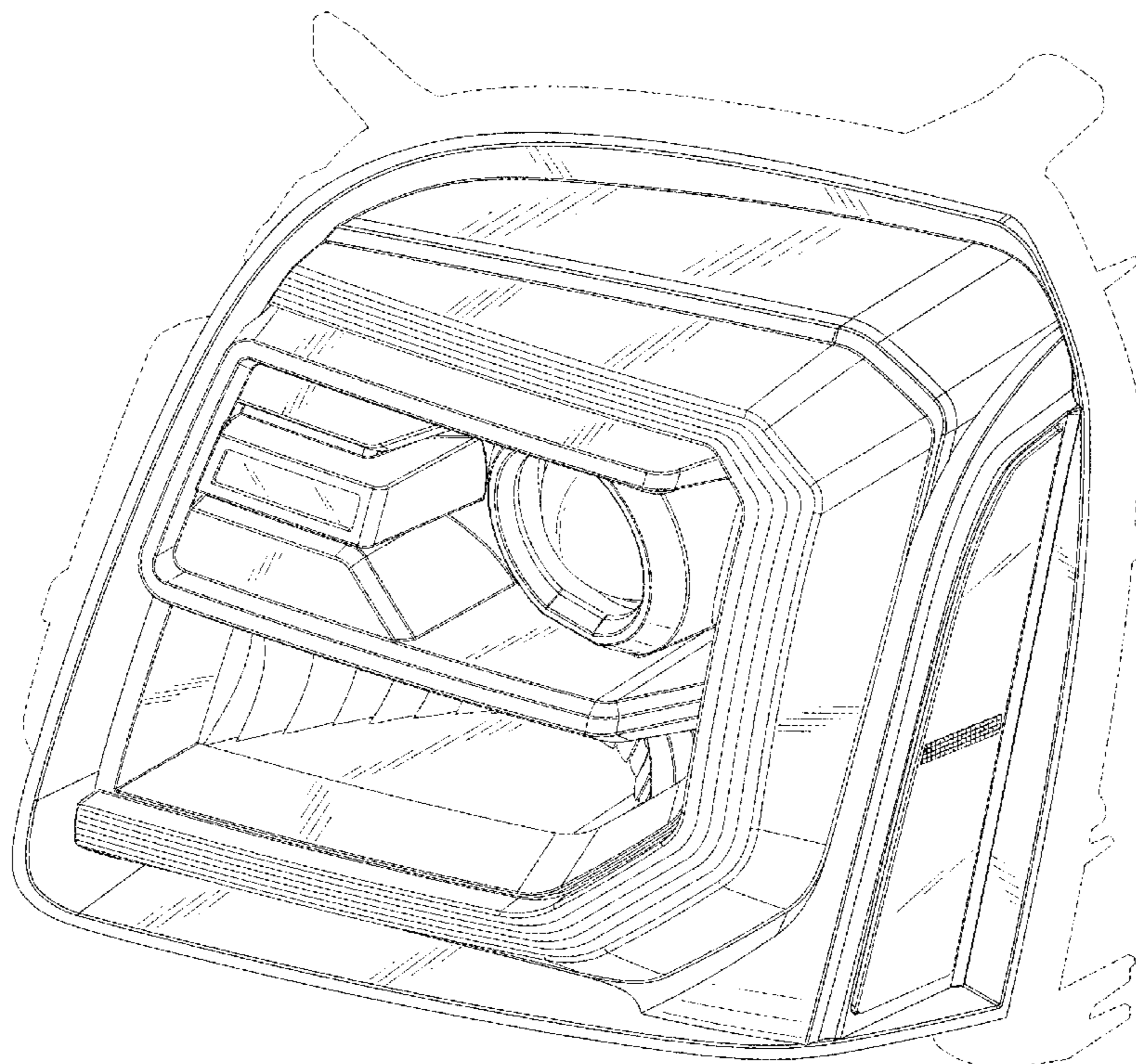
See application file for complete search history.

(56) **References Cited**

**U.S. PATENT DOCUMENTS**

D831,246 S *	10/2018	Yang	.....	D26/28
D857,258 S *	8/2019	Lin	.....	D26/28

**1 Claim, 7 Drawing Sheets**



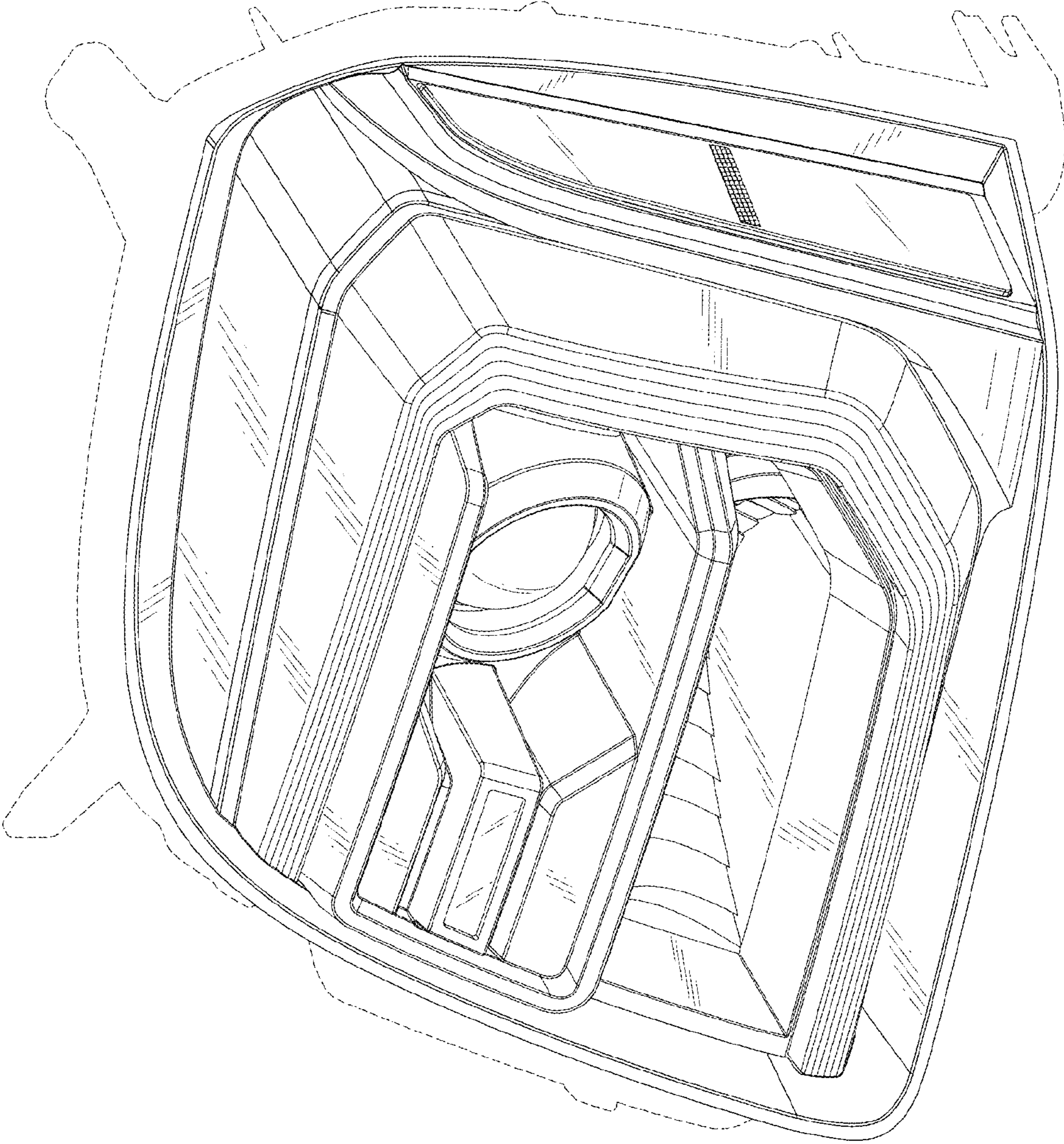


FIG. 1

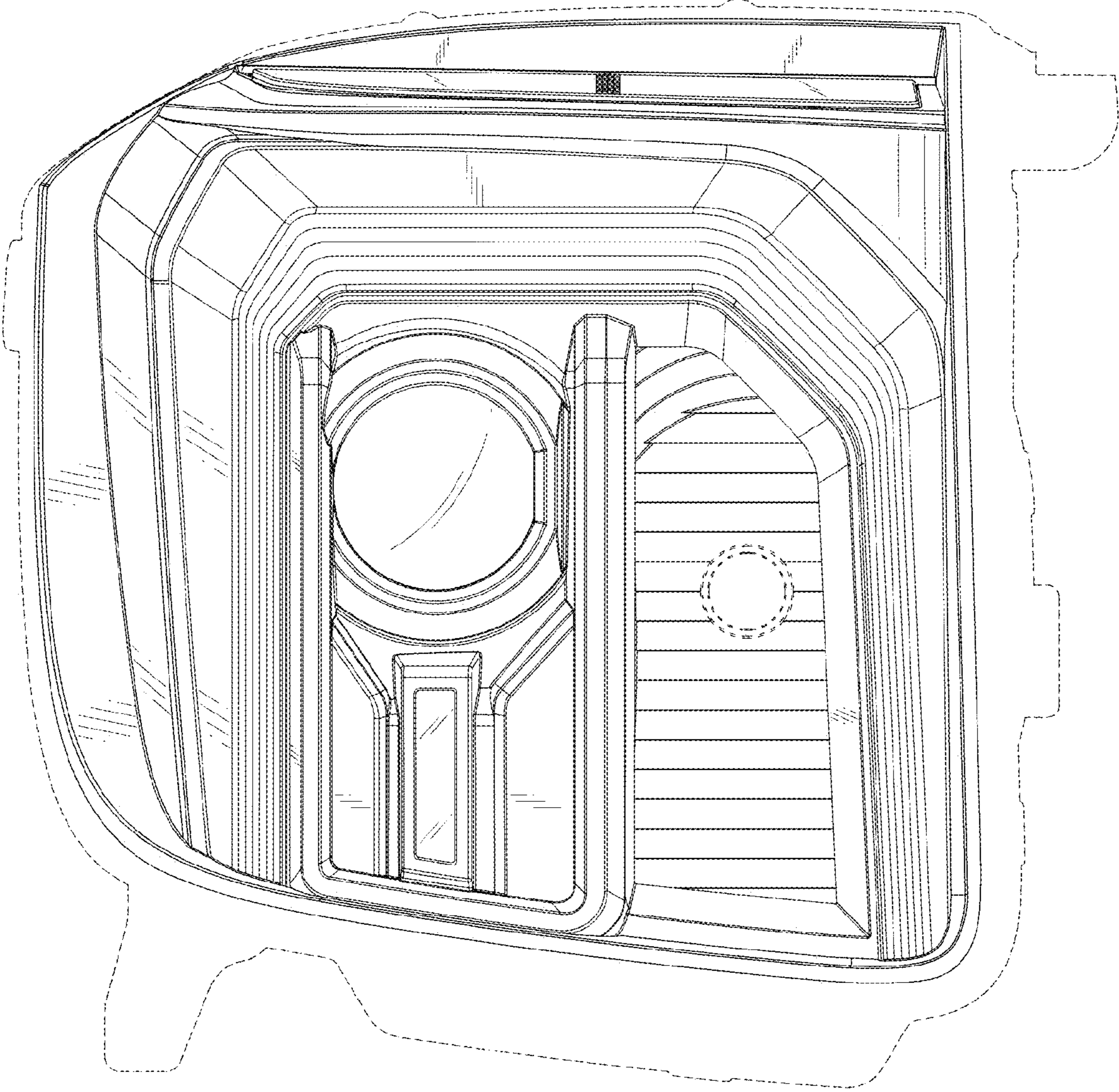


FIG. 2

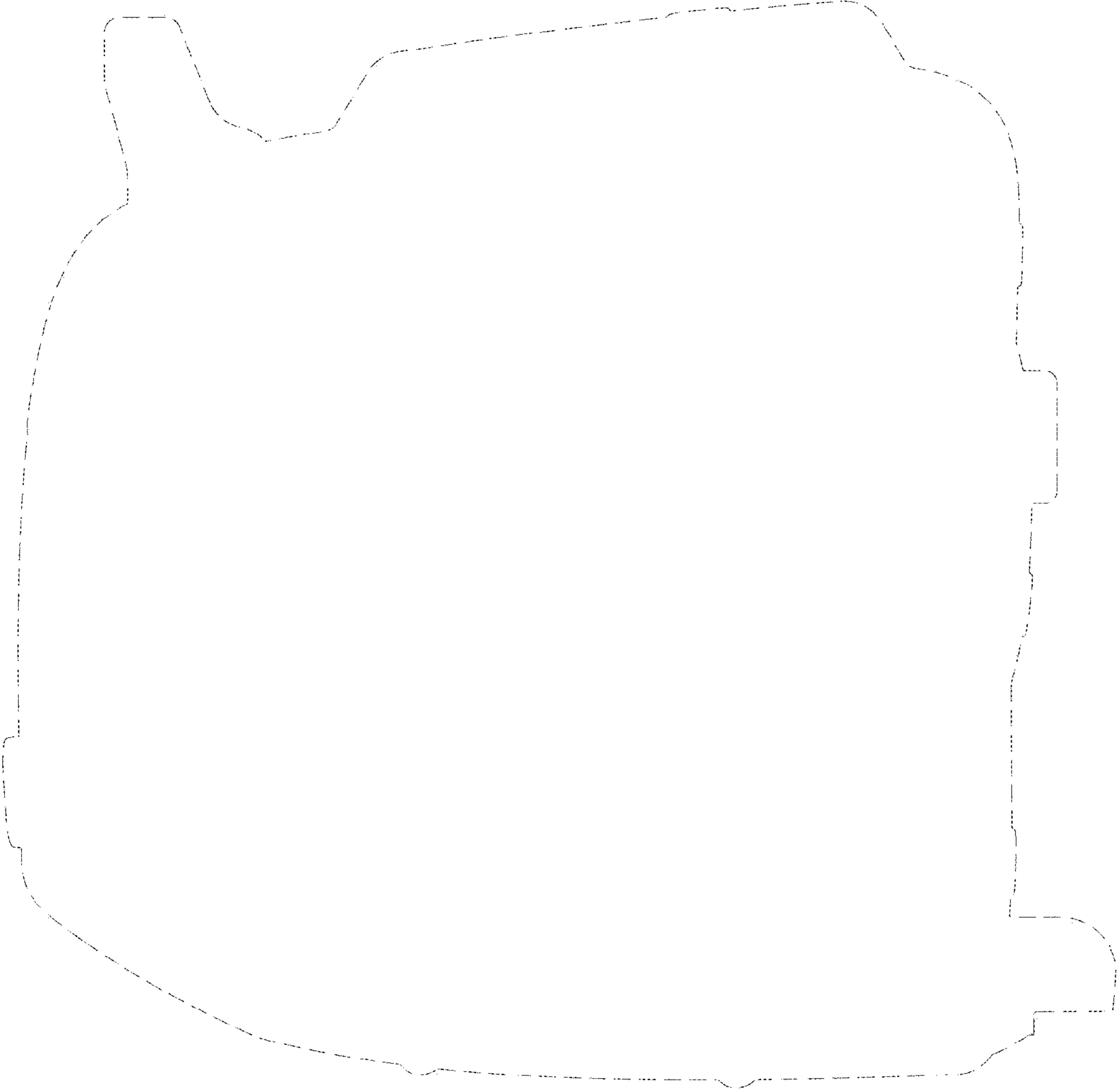


FIG. 3

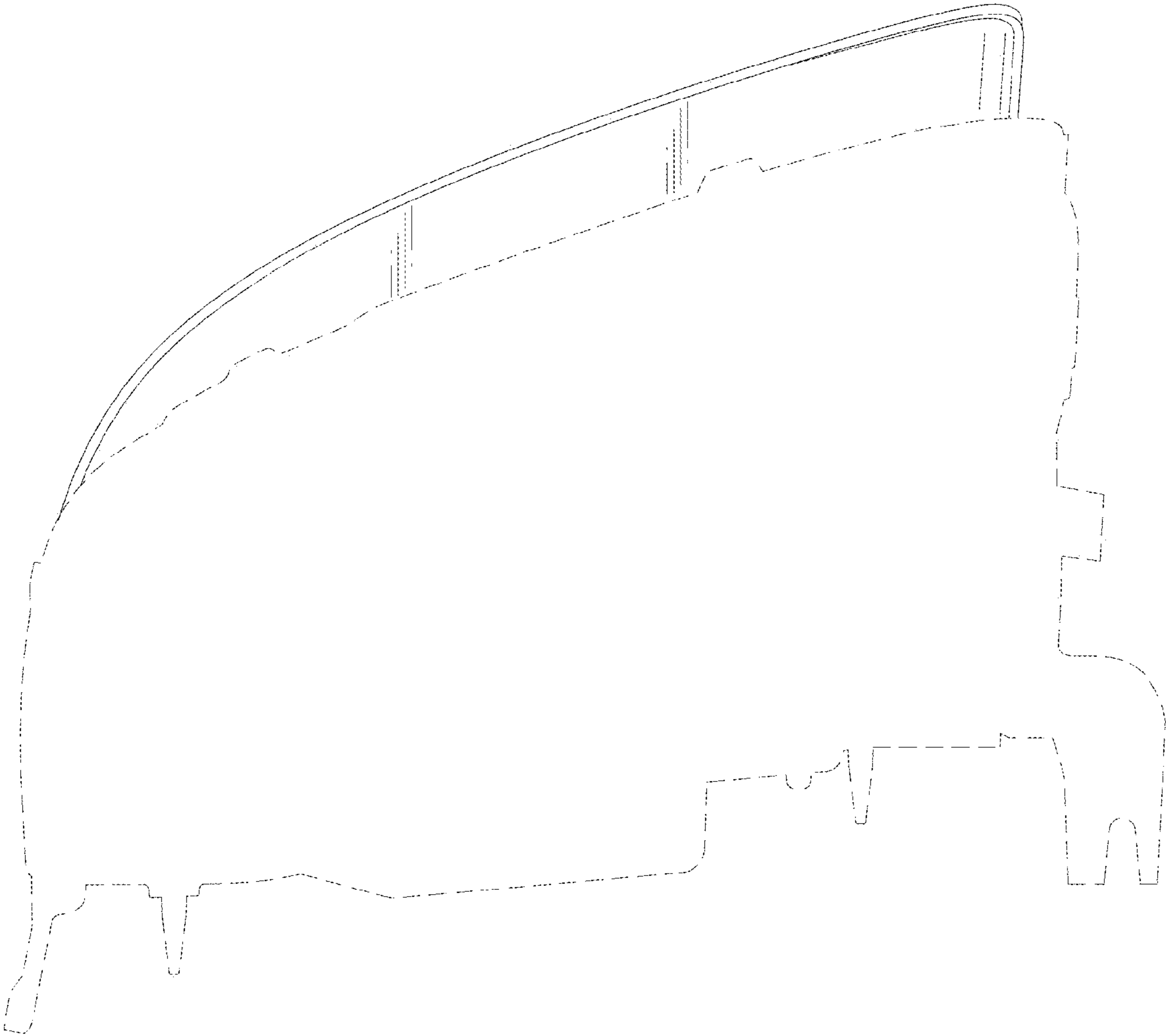


FIG. 4

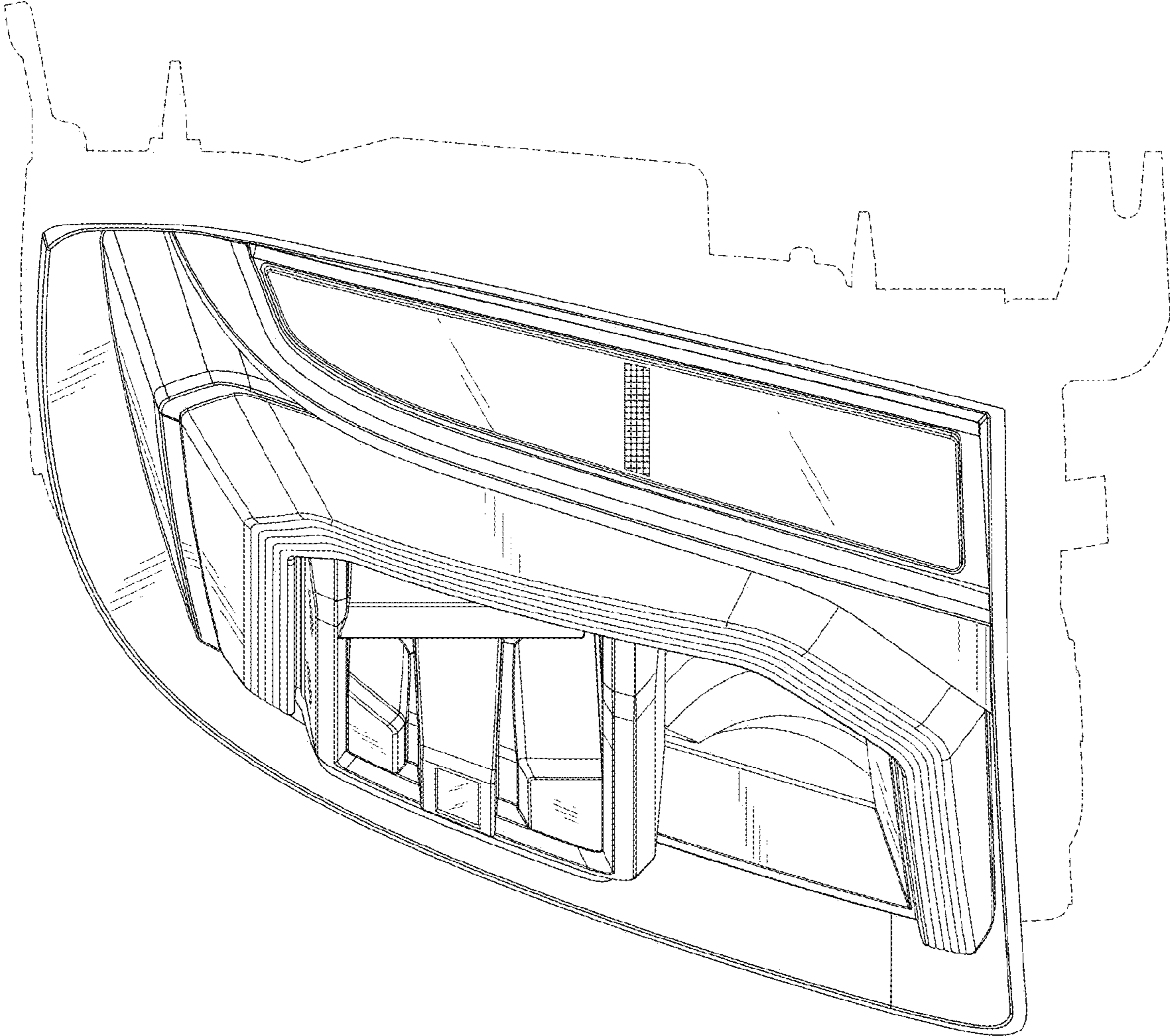


FIG. 5

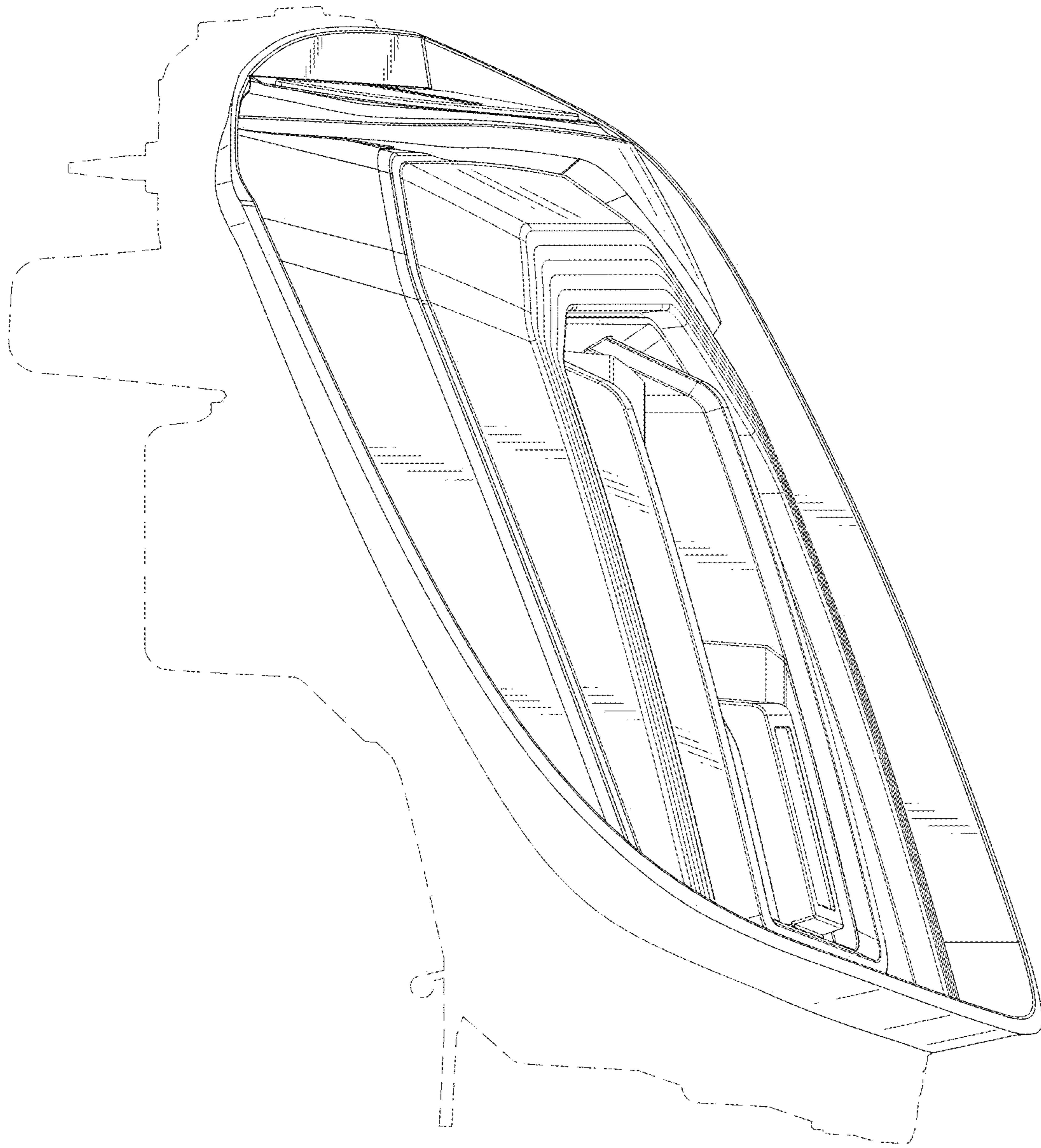


FIG. 6

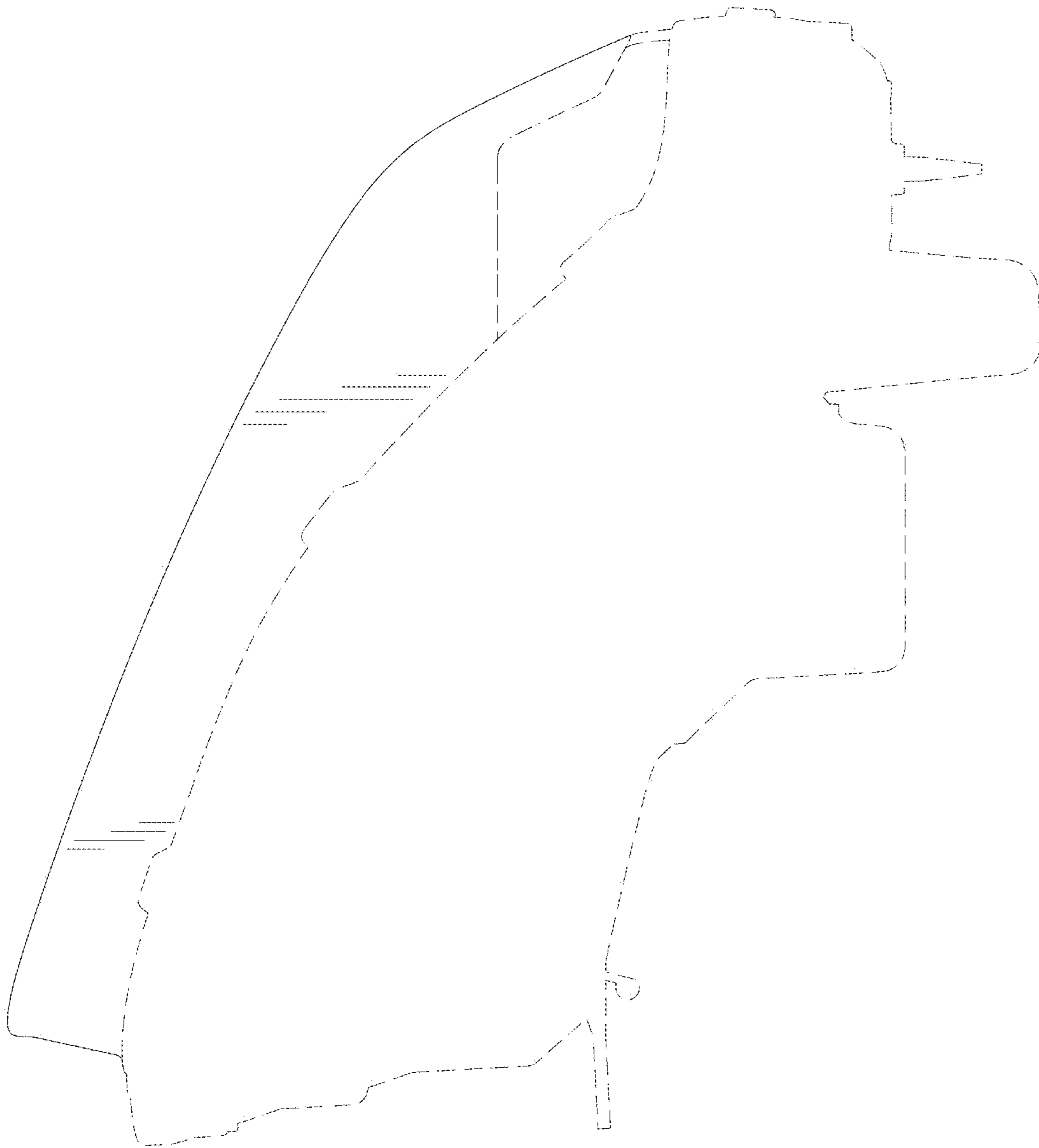


FIG. 7